



US00D414415S

United States Patent [19]

Klima, Jr. et al.

[11] Patent Number: **Des. 414,415**

[45] Date of Patent: **** *Sep. 28, 1999**

[54] CONCENTRATE CARTRIDGE

[75] Inventors: **Walter F. Klima, Jr.**, Travelers Rest, S.C.; **William L. Klima**, Stafford, Va.

[73] Assignee: **Sprayex, Inc.**, Travelers Rest, S.C.

[*] Notice: This patent is subject to a terminal disclaimer.

[**] Term: **14 Years**

[21] Appl. No.: **29/077,335**

[22] Filed: **Oct. 2, 1997**

Related U.S. Application Data

[60] Division of application No. 08/485,254, Jun. 7, 1995, Pat. No. 5,890,624, which is a continuation-in-part of application No. 08/279,978, Jul. 25, 1994, Pat. No. 5,529,216.

[51] LOC (6) Cl. **09-07**

[52] U.S. Cl. **D9/448**

[58] Field of Search D9/434, 448; 141/18, 141/19; 222/129, 130, 383.1; 239/304, 305, 309

[56] References Cited

U.S. PATENT DOCUMENTS

D. 378,663	4/1997	Daansen	D9/448
4,793,476	12/1988	Schrupp	239/309
5,125,534	6/1992	Rose et al.	222/129
5,275,310	1/1994	Mielnik et al.	222/130
5,529,216	6/1996	Klima et al.	222/130

Primary Examiner—Robin V. Taylor
Attorney, Agent, or Firm—Klima & Pezzlo, P.C.

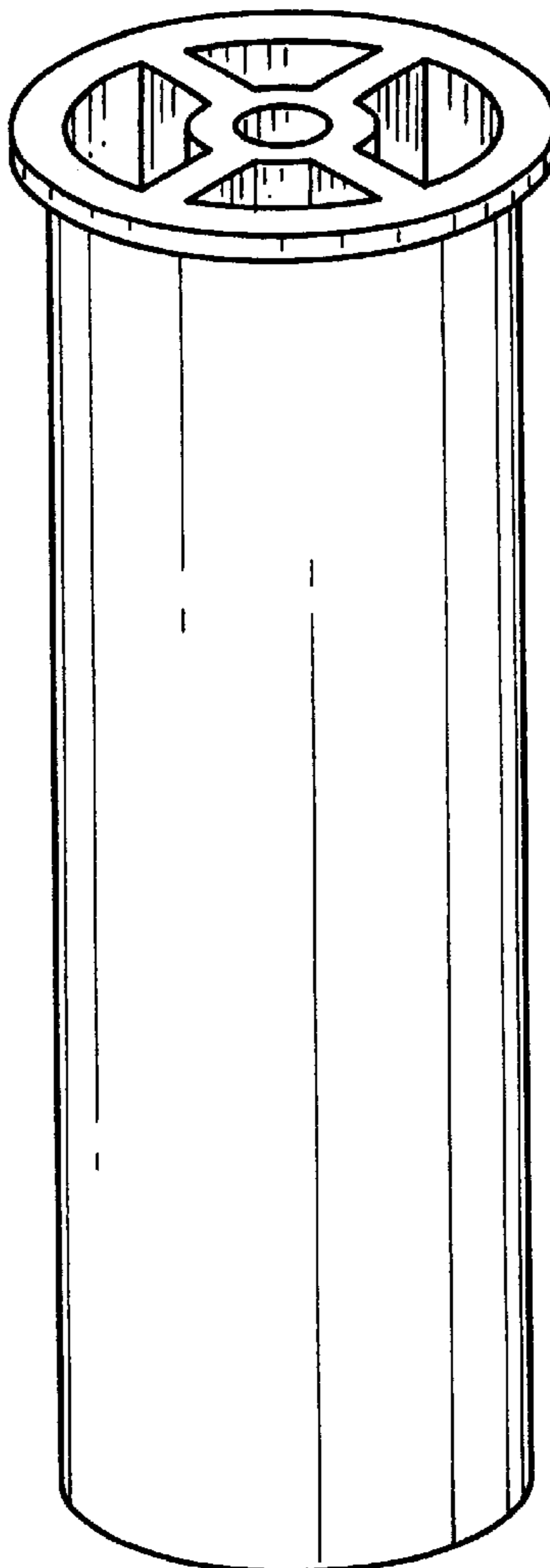
[57] CLAIM

The ornamental design for a concentrate cartridge, as shown and described.

DESCRIPTION

FIG. 1 is a perspective view of the present invention.
FIG. 2 is a side elevational view.
FIG. 3 is a top planar view.
FIG. 4 is a bottom planar view; and,
FIG. 5 is a cross sectional elevational view taken along 5—5 of FIG. 3.

1 Claim, 1 Drawing Sheet



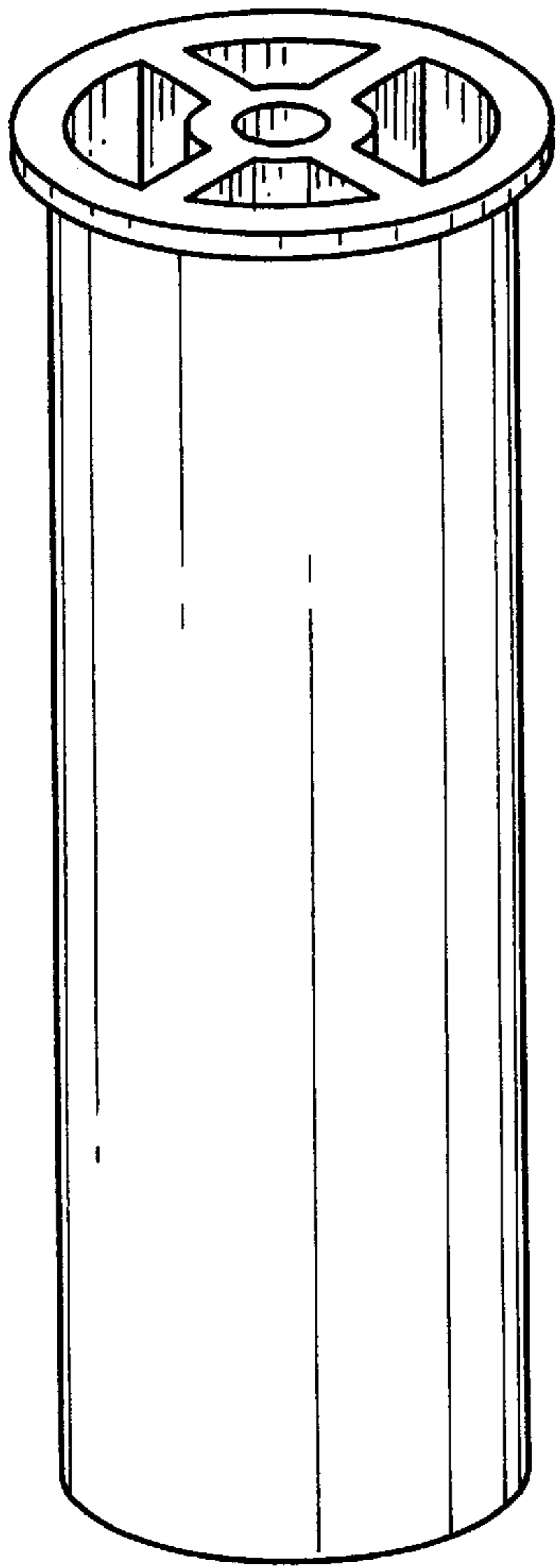


FIG. 1

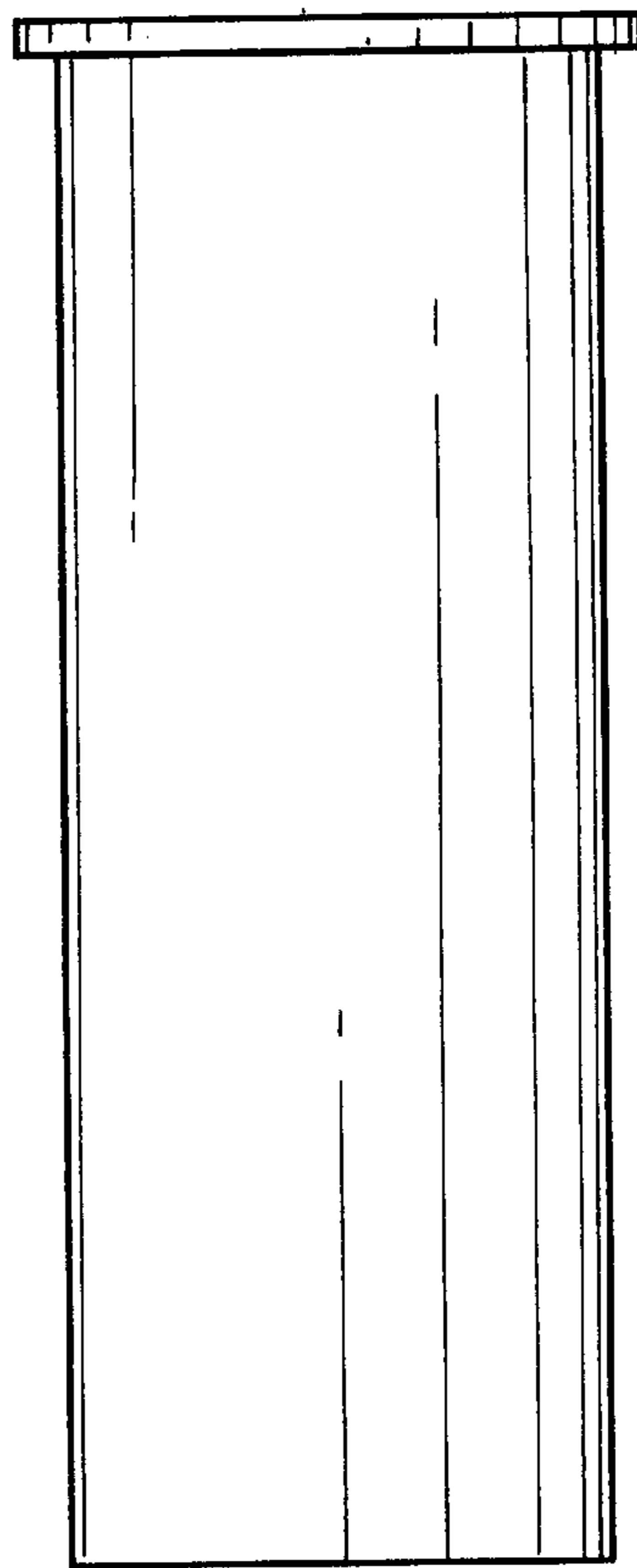


FIG. 2

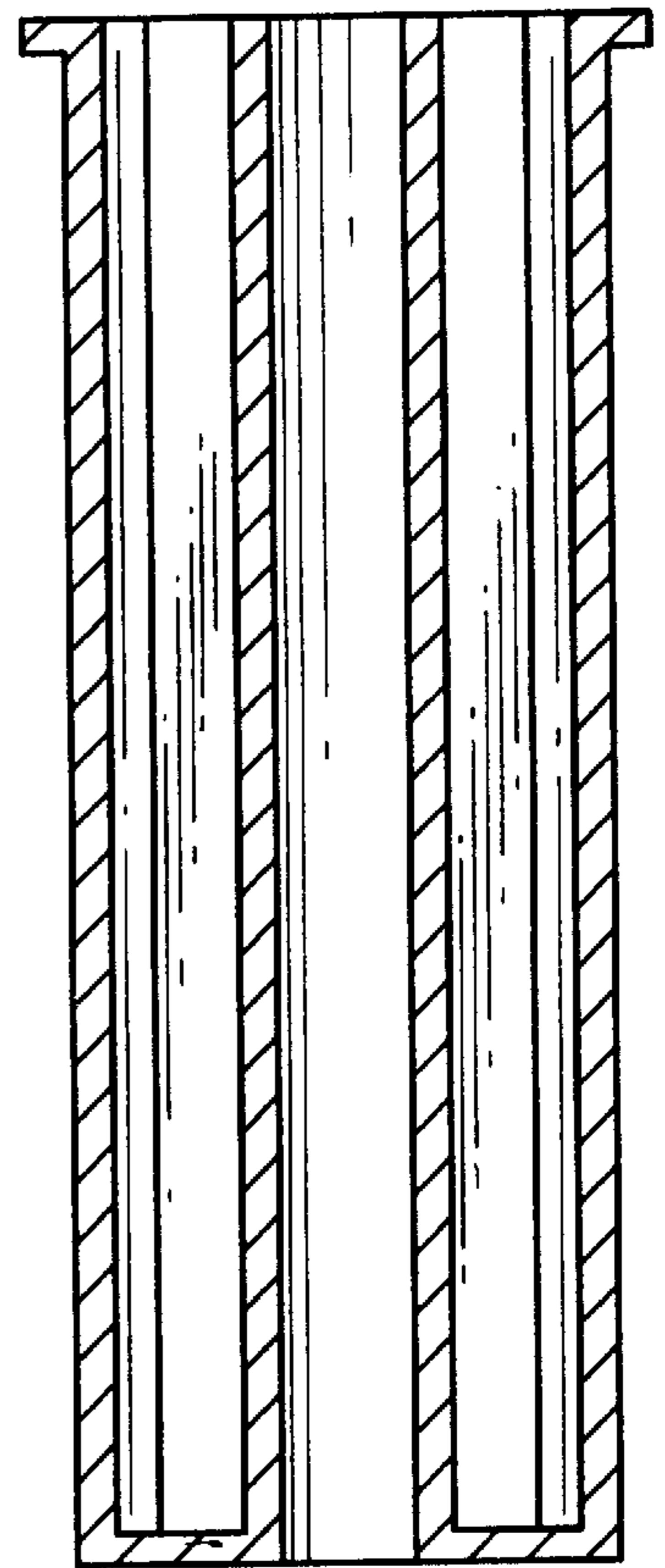


FIG. 5

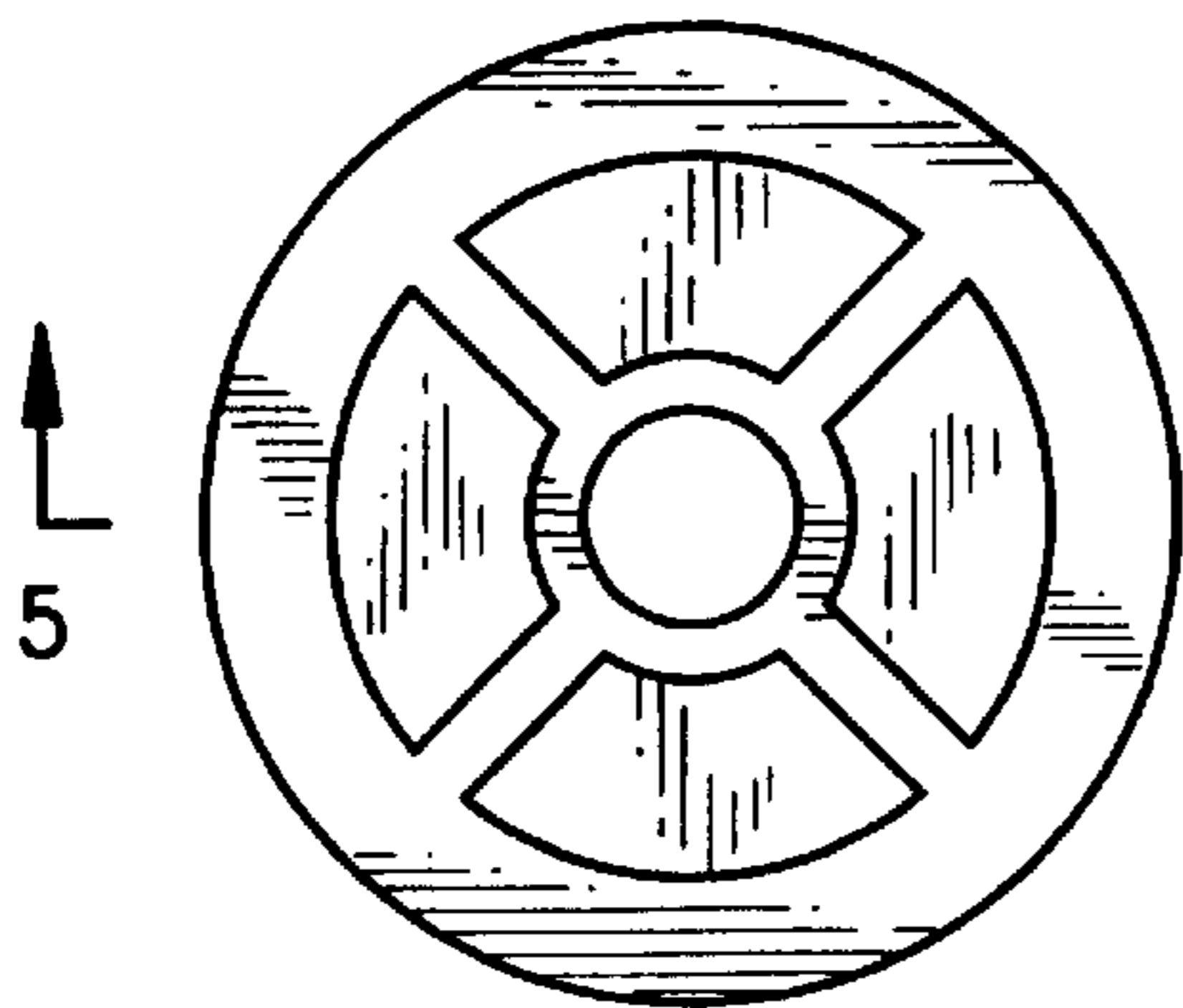


FIG. 3

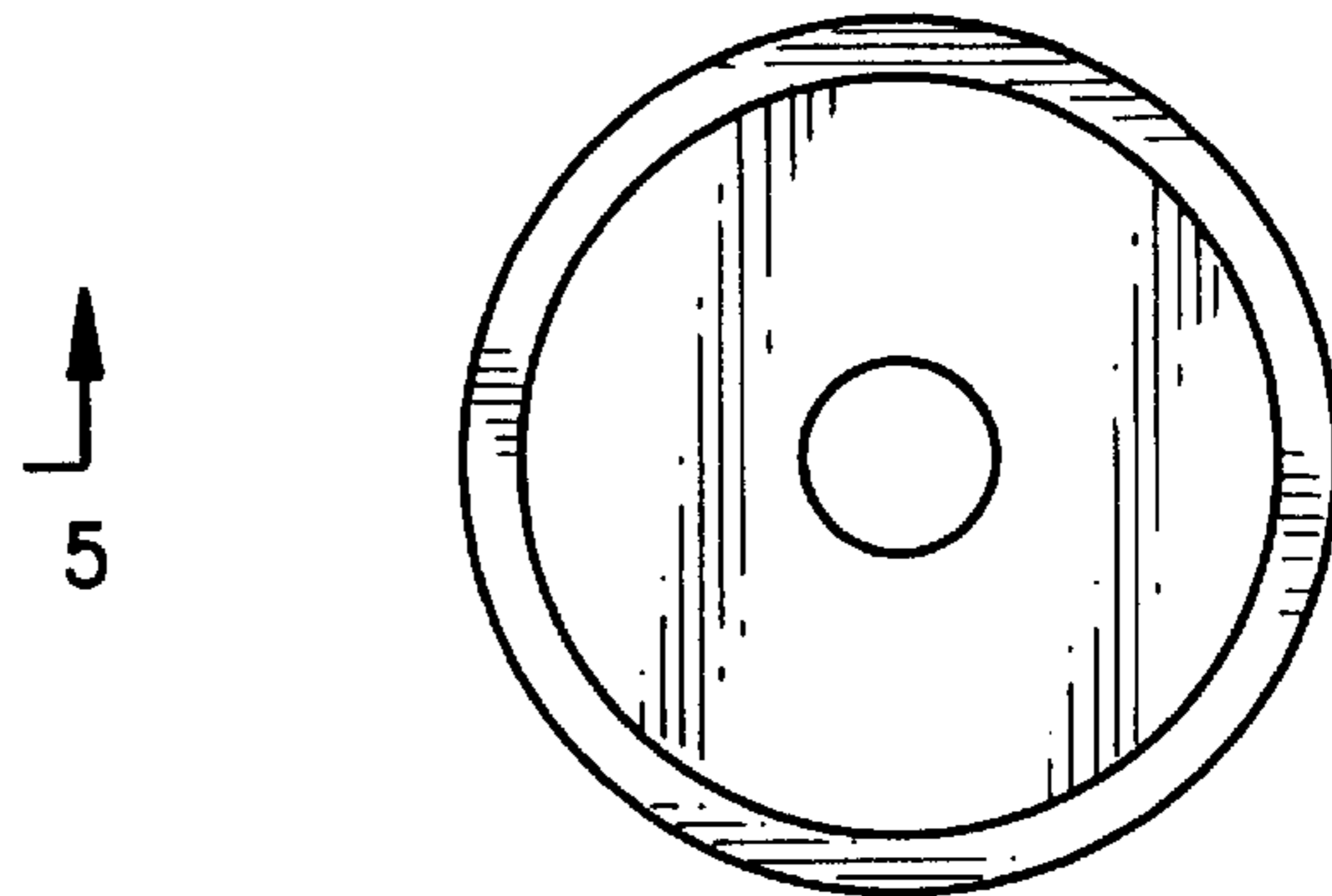


FIG. 4