



US00D414410S

United States Patent [19]

Klein et al.

[11] Patent Number: Des. 414,410

[45] Date of Patent: ** Sep. 28, 1999

[54] **PACKAGING**

[75] Inventors: **Michael Merlyn Klein**, Ann Arbor;
Douglas Wayne Mirth, Plymouth, both
of Mich.

[73] Assignee: **Brass-Craft Manufacturing Company**,
Novi, Mich.

[**] Term: **14 Years**

[21] Appl. No.: **29/086,277**

[22] Filed: **Apr. 9, 1998**

[51] **LOC (6) Cl.** **09-07**

[52] **U.S. Cl.** **D9/415**

[58] **Field of Search** D9/415, 418, 337,
D9/414; 206/461-471, 495, 775-783, 806,
320

[56] **References Cited**

U.S. PATENT DOCUMENTS

- D. 306,561 3/1990 Lee D9/415
- D. 371,071 6/1996 Ford D9/415
- D. 385,782 11/1997 Harries D9/415

- 3,585,982 6/1971 Hollinshead D9/415 X
- 4,781,289 11/1988 Perkins 206/461 X
- 5,785,174 7/1998 Chow 206/461 X

OTHER PUBLICATIONS

Modern Packaging, p. 334, 1963.
Techform Inc, Nov. 1982.

Primary Examiner—Prabhakar Deshmukh
Attorney, Agent, or Firm—Edgar A. Zarins; Leon E.
Redman; Myron B. Kapustij

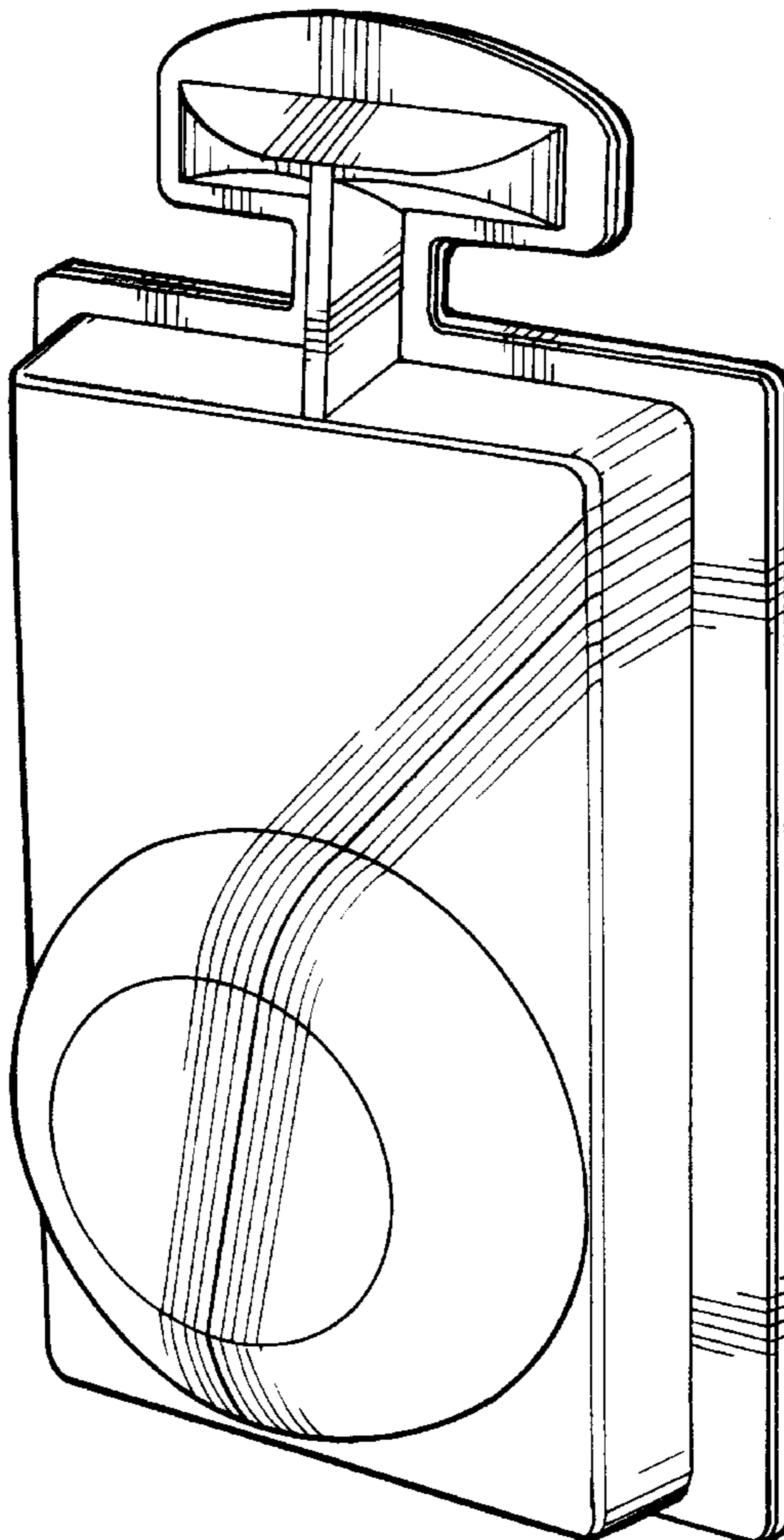
[57] **CLAIM**

The ornamental design for packaging, as shown and described.

DESCRIPTION

FIG. 1 is a perspective view of packaging showing my new design;
FIG. 2 is a left side view thereof, the opposite side being a mirror image of the side shown; and,
FIG. 3 is an enlarged scale fragmentary front elevational view thereof shown for clarity.
The rear is plain and unornamented.

1 Claim, 2 Drawing Sheets



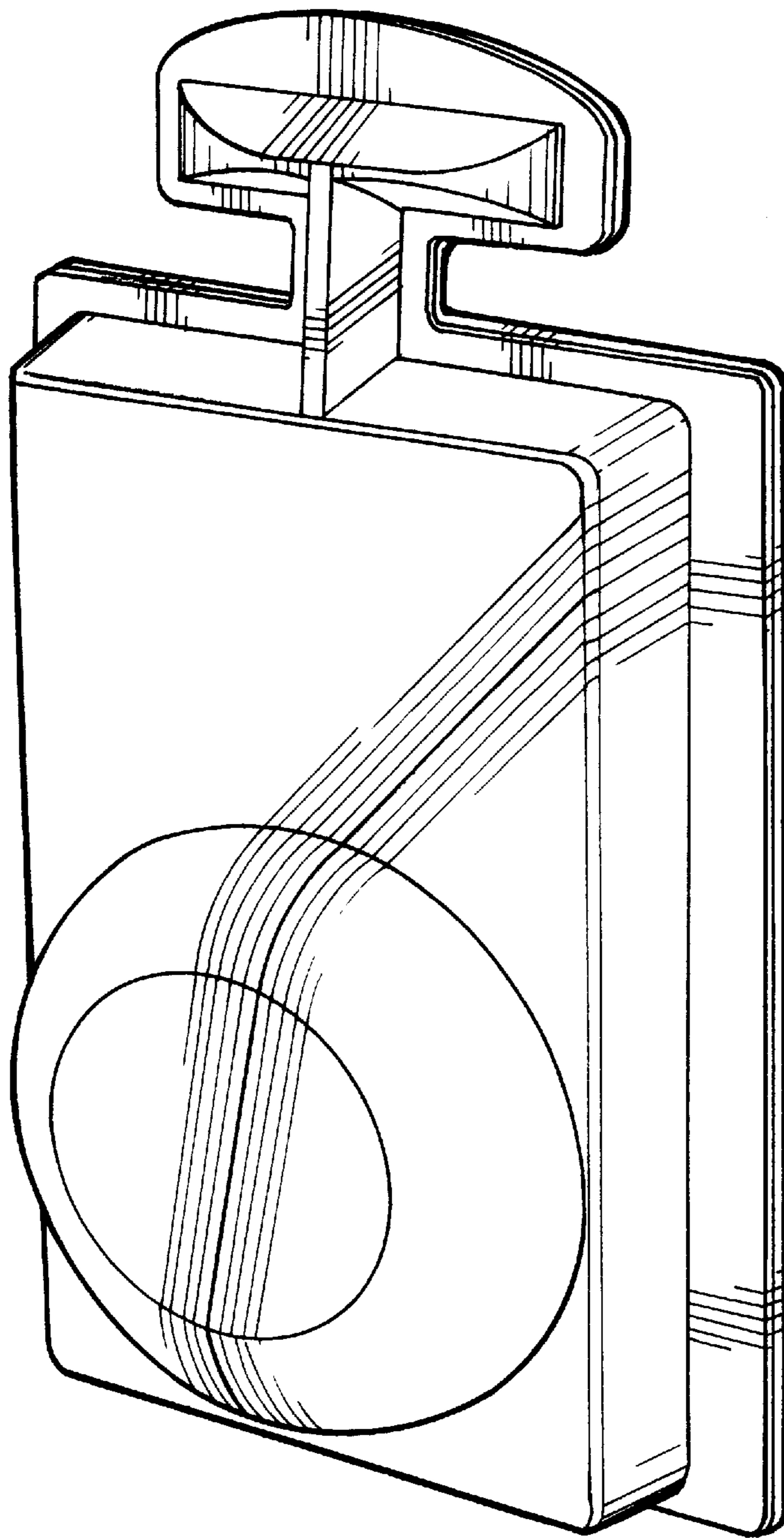


Fig-1

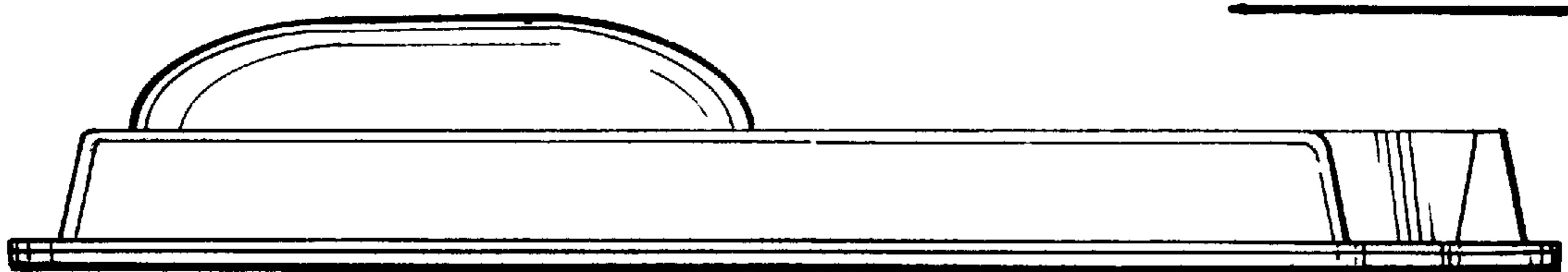


Fig-2

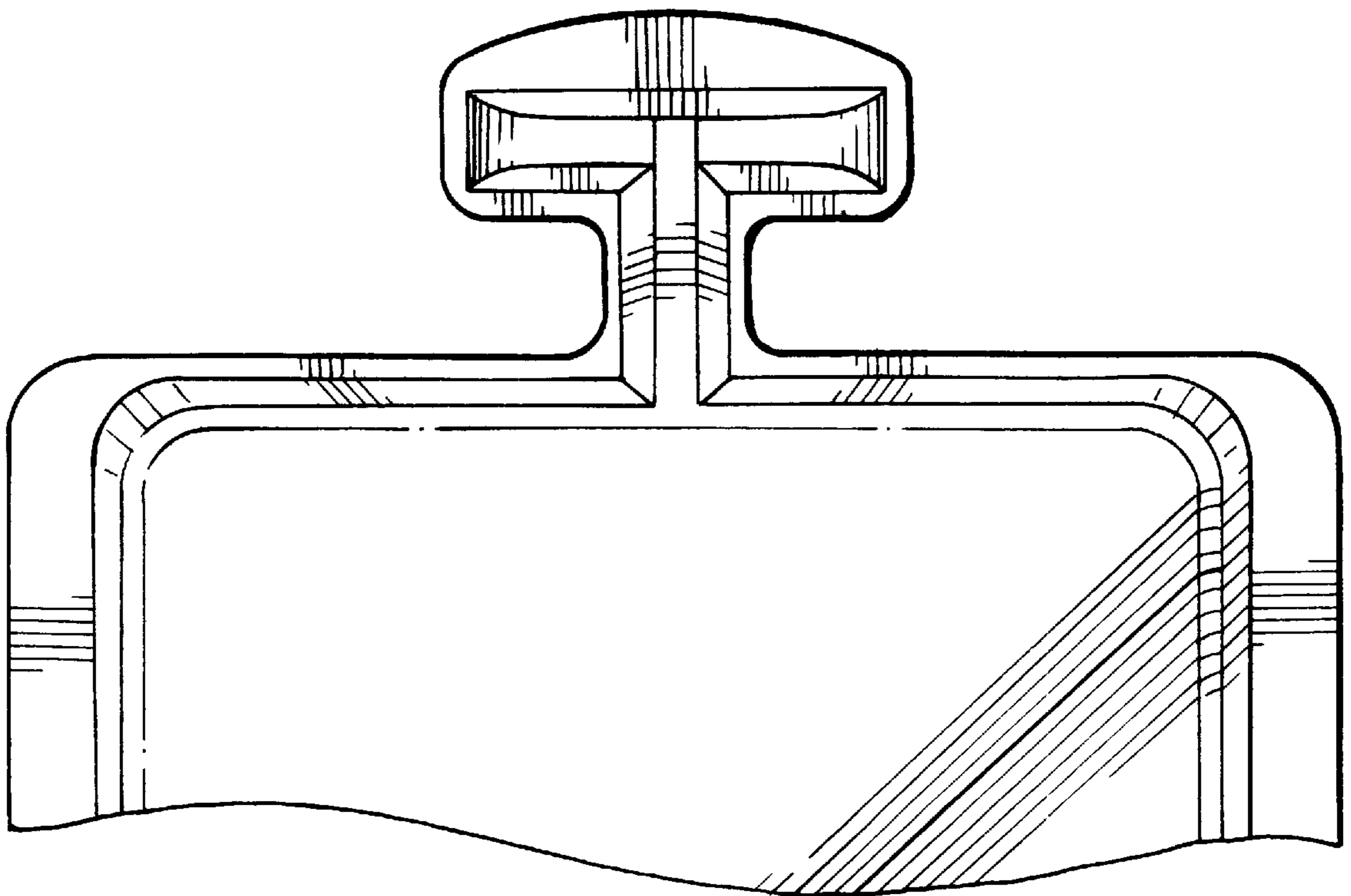


Fig-3