



US00D414406S

United States Patent [19] Meyer

[11] Patent Number: **Des. 414,406**

[45] Date of Patent: **** Sep. 28, 1999**

[54] **WASHER ASSEMBLY**

[75] Inventor: **Charles Meyer**, New Lenox, Ill.

[73] Assignee: **Illinois Tool Works Inc.**, Glenview, Ill.

[**] Term: **14 Years**

[21] Appl. No.: **29/083,813**

[22] Filed: **Feb. 18, 1998**

[51] **LOC (6) Cl.** **08-08**

[52] **U.S. Cl.** **D8/399**

[58] **Field of Search** D8/399; 411/531,
411/535, 536, 542, 544, 546

5,069,589	12/1991	Casey .	
5,168,108	12/1992	Chacko et al. .	
5,180,268	1/1993	Richardson .	
5,431,518	7/1995	Young et al. .	
5,489,180	2/1996	Ichihara et al.	411/544
5,494,358	2/1996	Dougherty .	
5,575,601	11/1996	Skufca et al. .	
5,618,145	4/1997	Kuo	411/544

Primary Examiner—B. J. Bullock

[57] CLAIM

The ornamental design for a washer assembly, as shown and described.

DESCRIPTION

FIG. 1 is a top perspective view of an ornamental washer assembly according to the invention.
 FIG. 2 is a reduced top plan view thereof.
 FIG. 3 is a side view thereof, the other side views being identical; and,
 FIG. 4 is a bottom plan view thereof.
 The broken line portions of the Figures are for illustrative purposes only and form no part of the claimed design.

[56] References Cited

U.S. PATENT DOCUMENTS

787,160	4/1905	Ette .	
797,925	8/1905	Thomas .	
888,982	5/1908	Ette .	
3,573,510	4/1971	Otto .	
3,884,457	5/1975	Leko .	
4,136,598	1/1979	Hughes .	
4,449,329	5/1984	Sauerwein	411/544

1 Claim, 2 Drawing Sheets

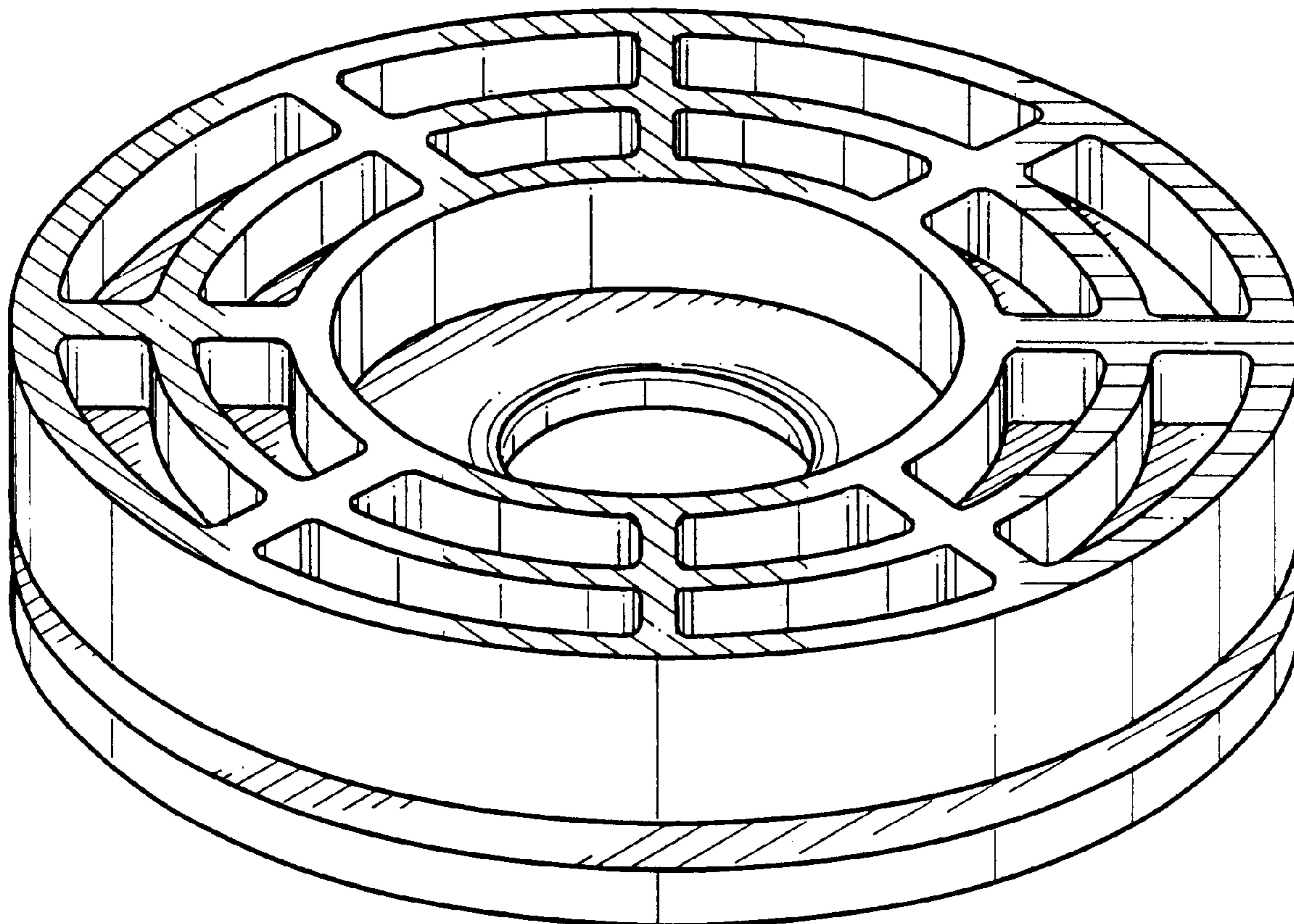


FIG. 1

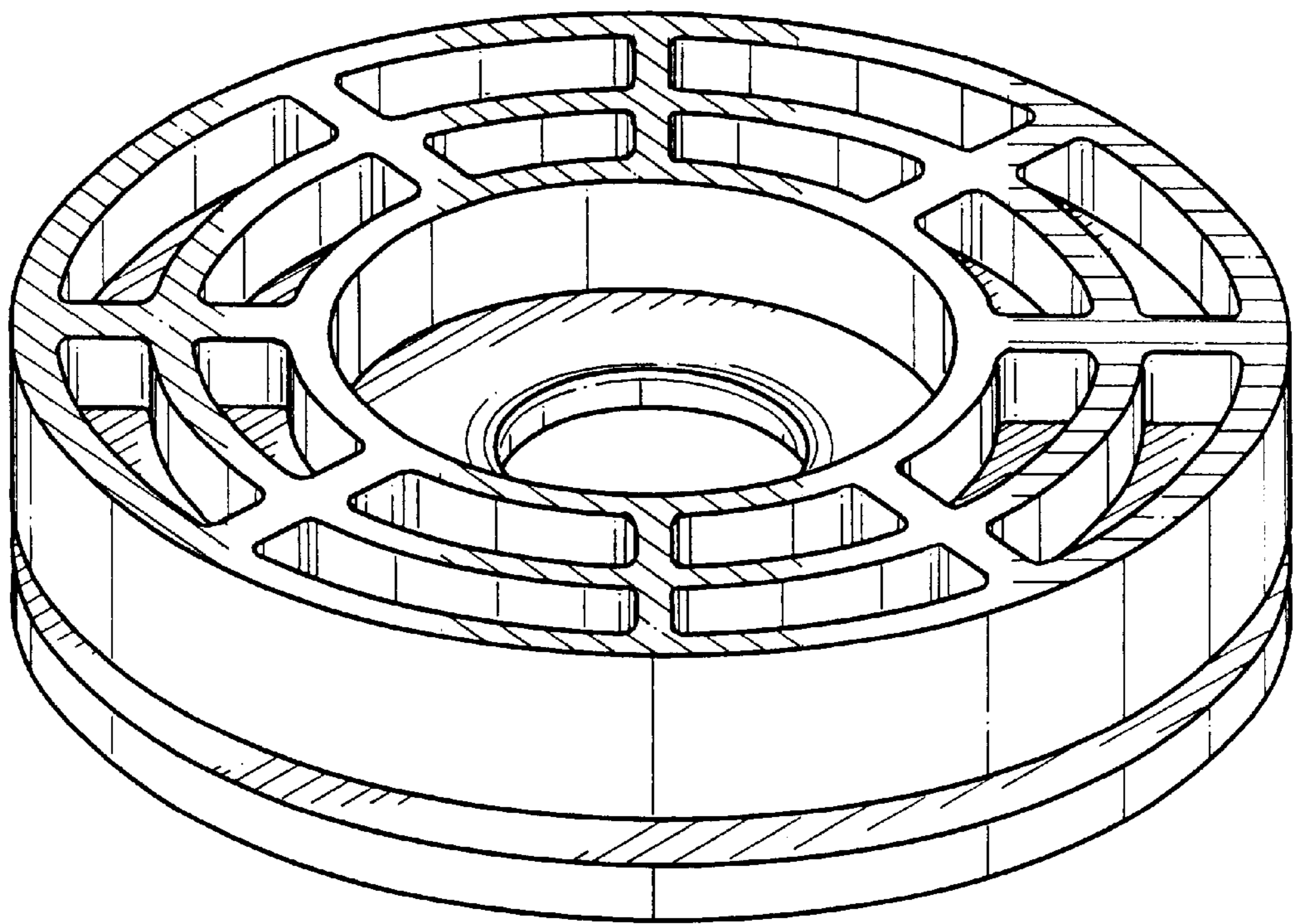


FIG. 2

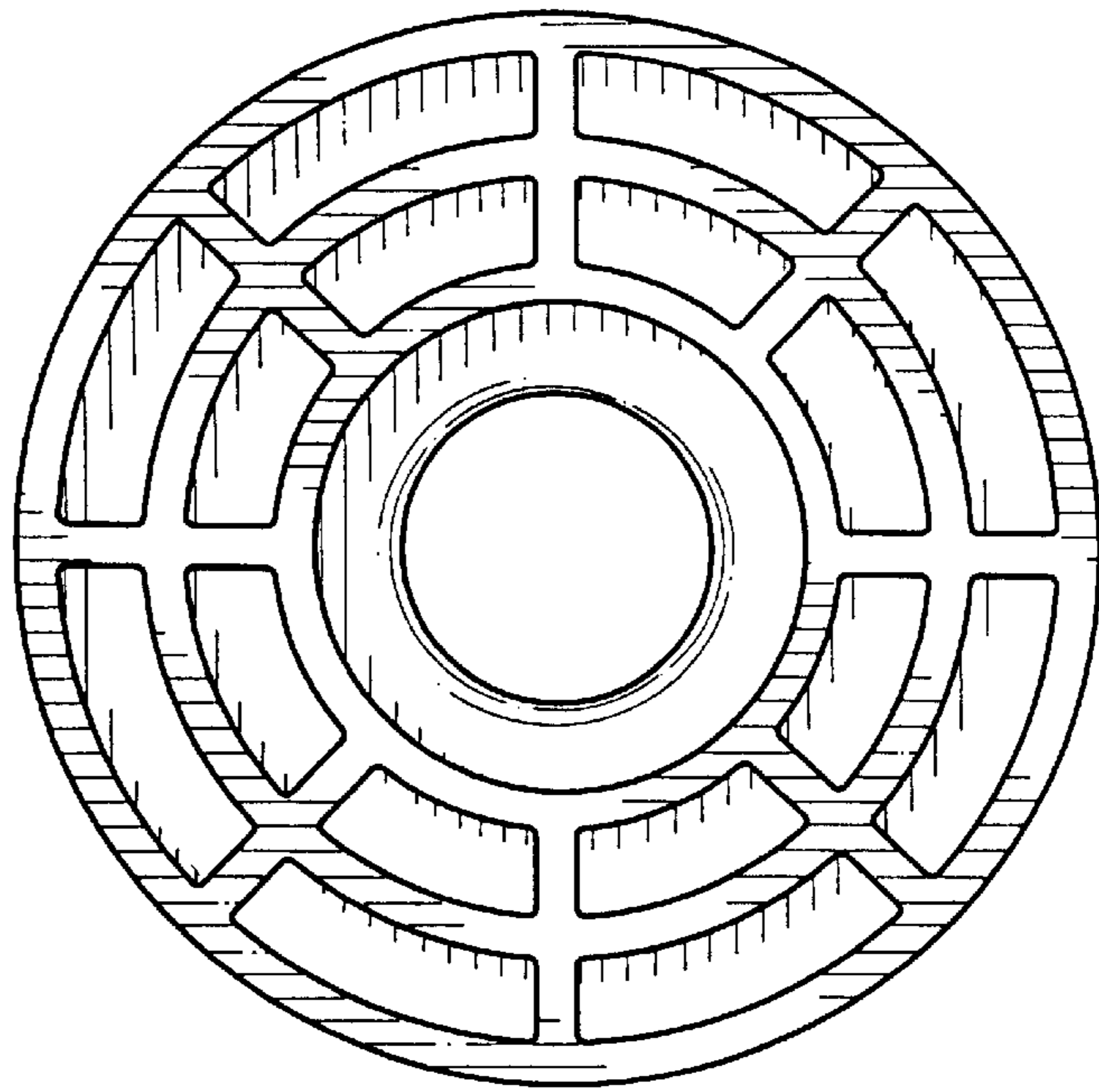


FIG. 3

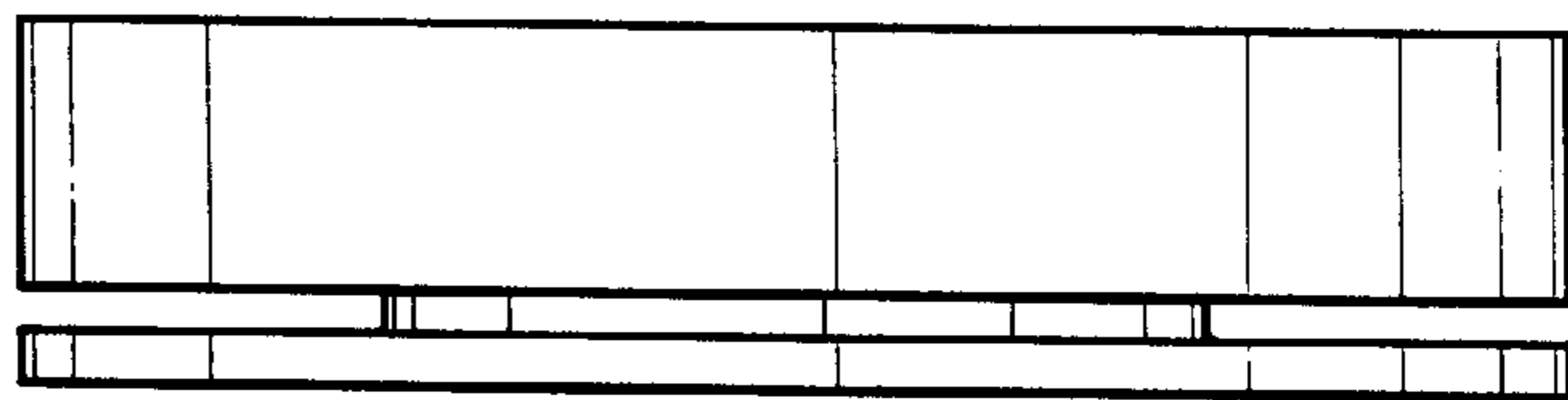


FIG. 4

