



US00D414405S

# United States Patent [19] Tompkins

[11] Patent Number: Des. 414,405

[45] Date of Patent: \*\* Sep. 28, 1999

[54] CYLINDRICAL HOLDER

[76] Inventor: Jeffrey D. Tompkins, 3161 Shakespeare Dr., Los Alamitos, Calif. 90720

[\*\*] Term: 14 Years

[21] Appl. No.: 29/081,511

[22] Filed: Nov. 24, 1997

[51] LOC (6) Cl. .... 08-08

[52] U.S. Cl. .... D8/396

[58] Field of Search ..... D8/394-396; 248/62, 248/57-59, 73, 74.1

2,599,882	6/1952	Adams	.....	248/62
4,059,872	11/1977	Delesandri	.	
4,382,570	5/1983	Craig	.	
4,470,177	9/1984	Ganung et al.	.	
4,477,965	10/1984	Tsuyama	.	
5,103,384	4/1992	Drohan	.	
5,144,546	9/1992	Burdi	.	
5,448,457	9/1995	Adjeleian	.	

Primary Examiner—Holly Baynham  
Attorney, Agent, or Firm—William W. Haefliger

### [57] CLAIM

The ornamental design for a cylindrical holder, as shown and described.

### DESCRIPTION

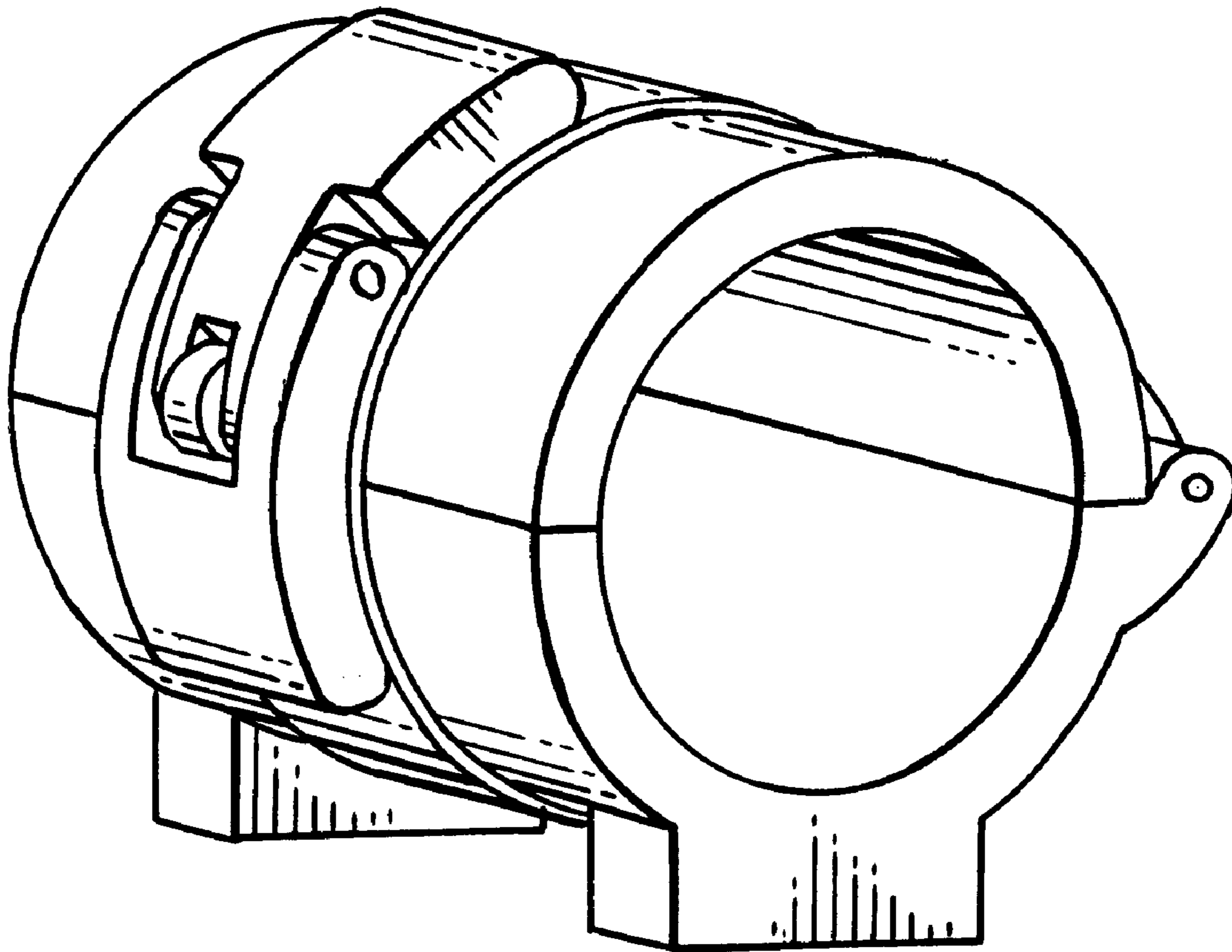
FIG. 1 is a perspective view showing the front side, top and right end of the holder;  
FIG. 2 is a rear side elevation view of the FIG. 1 holder;  
FIG. 3 is a top plan view of the FIG. 1 holder;  
FIG. 4 is a bottom plan view of the FIG. 1 holder; and,  
FIG. 5 is a left end view of the FIG. 1 holder.

1 Claim, 2 Drawing Sheets

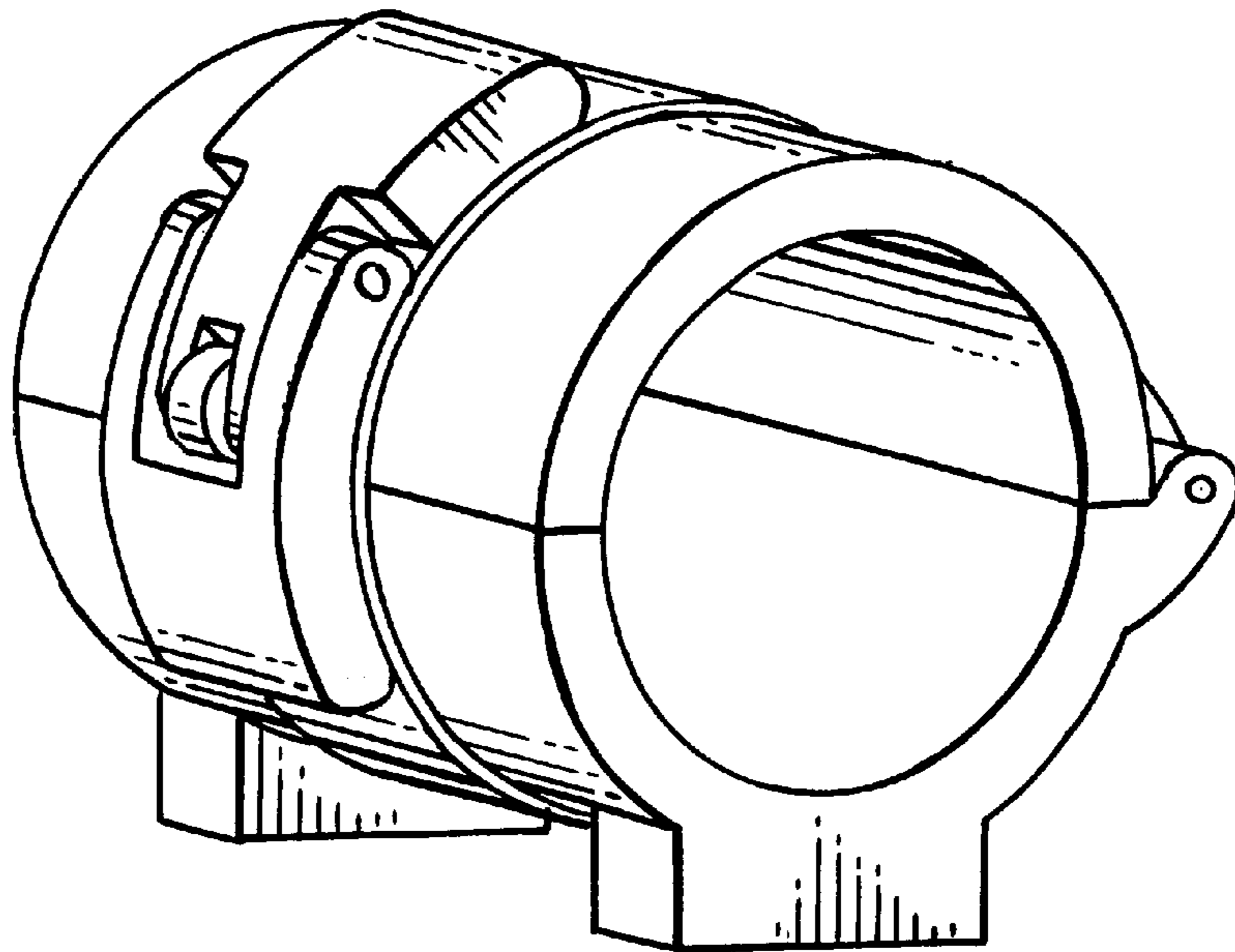
### [56] References Cited

#### U.S. PATENT DOCUMENTS

D. 308,731	6/1990	Maglica et al.	.	
D. 319,966	9/1991	Ellison	.....	D8/396 X
D. 321,765	11/1991	Morse	.	
D. 344,672	3/1994	Current	.....	D8/396 X
D. 345,814	4/1994	Wright, III	.	
D. 360,128	7/1995	Huffine	.	



*FIG. 1.*



*FIG. 2.*

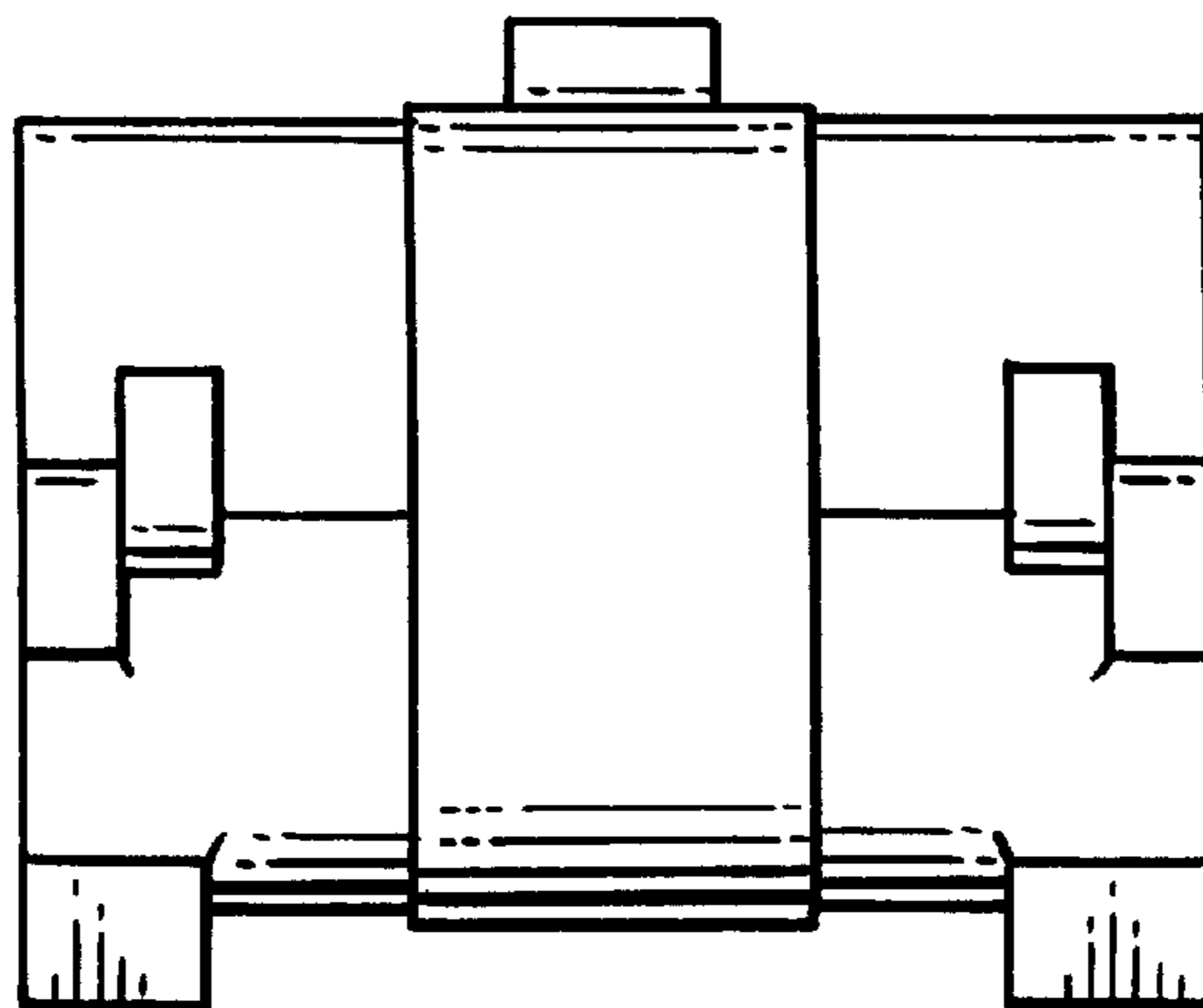


FIG. 3.

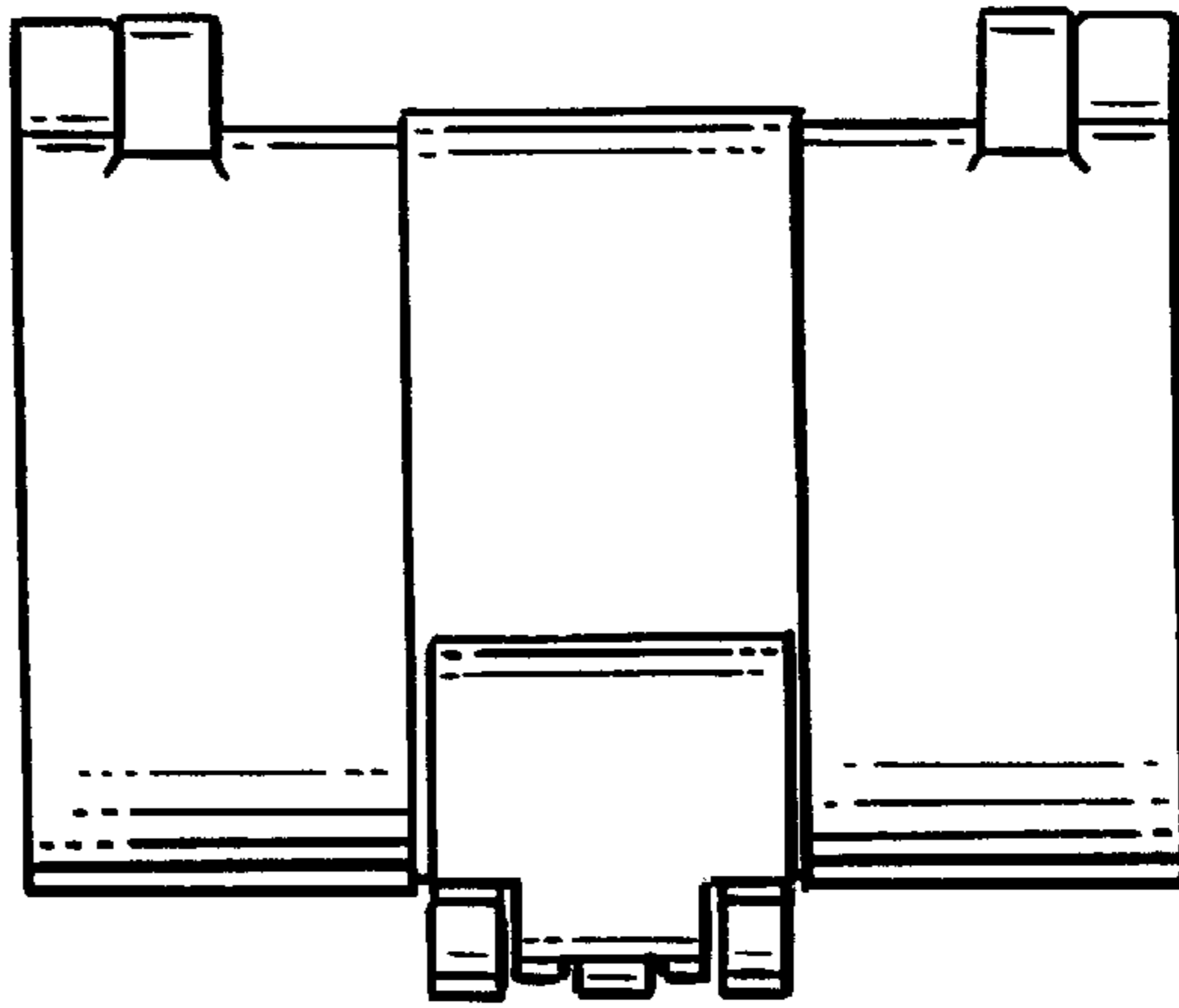


FIG. 4.

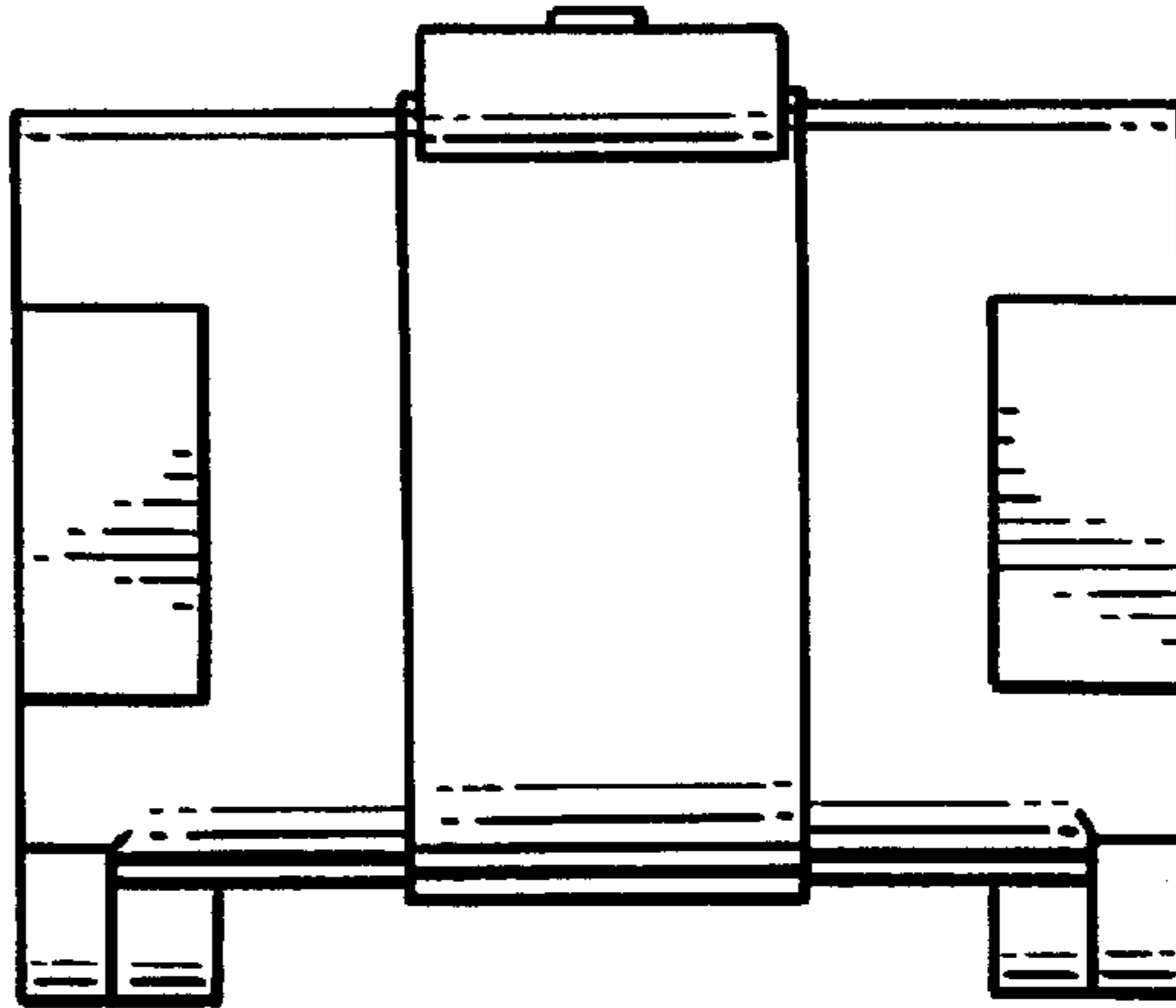


FIG. 5.

