



US00D414404S

United States Patent [19] van de Lande

[11] Patent Number: **Des. 414,404**

[45] Date of Patent: **** Sep. 28, 1999**

[54] **FASTENER FOR PIPES AND TUBES**

[75] Inventor: **Theodorus G. A. van de Lande**,
Raamsdonksveer, Netherlands

[73] Assignee: **Van de lande B.V.**, Netherlands

[**] Term: **14 Years**

[21] Appl. No.: **29/080,808**

[22] Filed: **Dec. 16, 1997**

[51] **LOC (6) Cl.** **08-08**

[52] **U.S. Cl.** **D8/396**

[58] **Field of Search** D8/394-396, 356;
D23/262; 285/420; 248/71, 74.1, 74.2,
49, 68.1

[56] **References Cited**

U.S. PATENT DOCUMENTS

- D. 263,332 3/1982 Butterfield D8/396
- D. 331,189 11/1992 Daigle et al. D8/356

- 4,244,542 1/1981 Mathews 248/49
- 4,306,697 12/1981 Mathews 248/74.2
- 4,609,171 9/1986 Matsui 248/74.2
- 4,783,029 11/1988 Geppert et al. 248/74.1

Primary Examiner—B. J. Bullock
Attorney, Agent, or Firm—Michael A. Lechter; James H. Phillips; Squire, Sanders & Dempsey L.L.P.

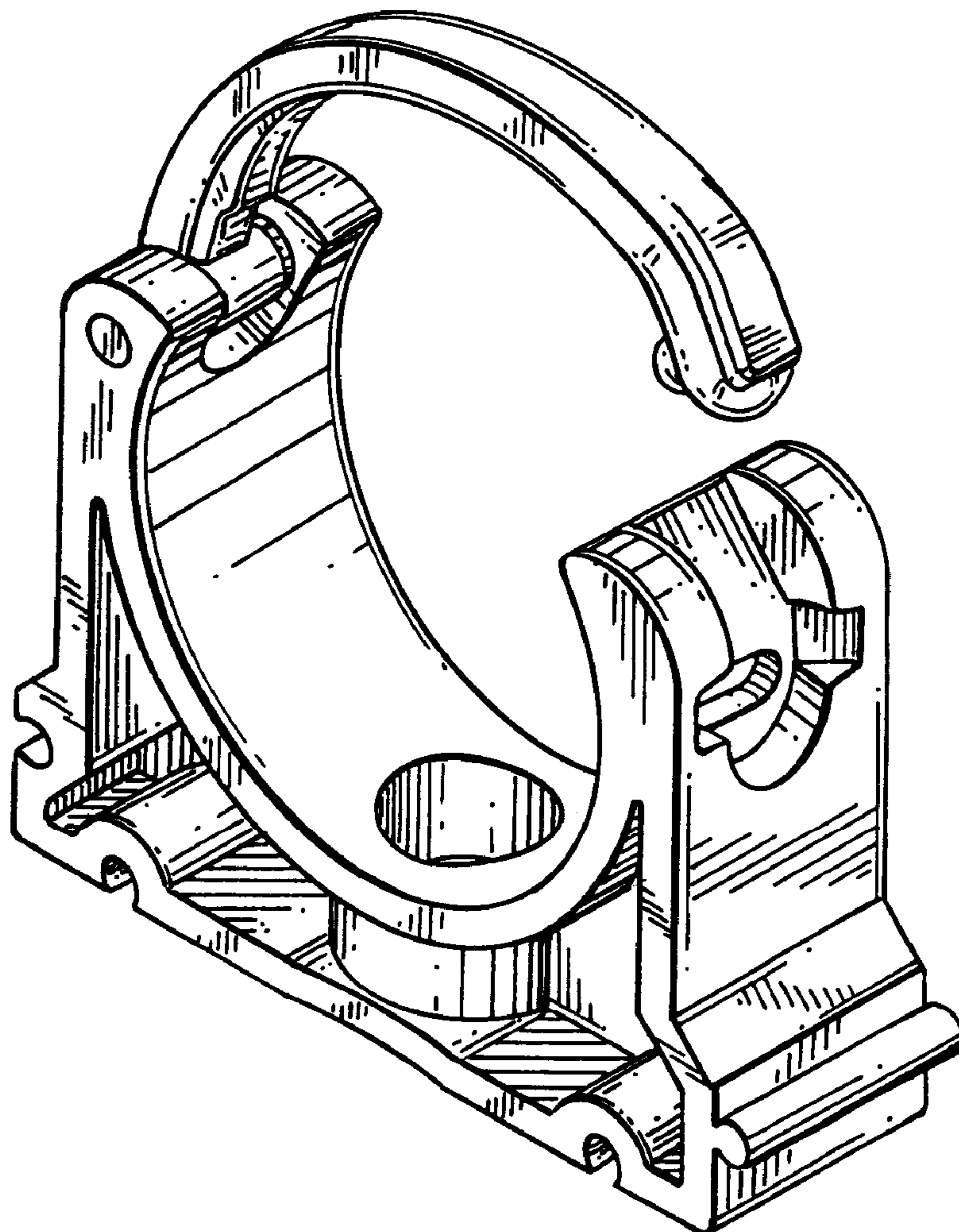
[57] **CLAIM**

The ornamental design for a fastener for pipes and tubes, as shown and described.

DESCRIPTION

FIG. 1 is a perspective view of my design;
FIG. 2 is a front view of my design, the rear being a mirror image thereof;
FIG. 3 is a left side view of my design;
FIG. 4 is a right side view of my design;
FIG. 5 is a top view of my design; and,
FIG. 6 is a bottom view of my design.

1 Claim, 1 Drawing Sheet



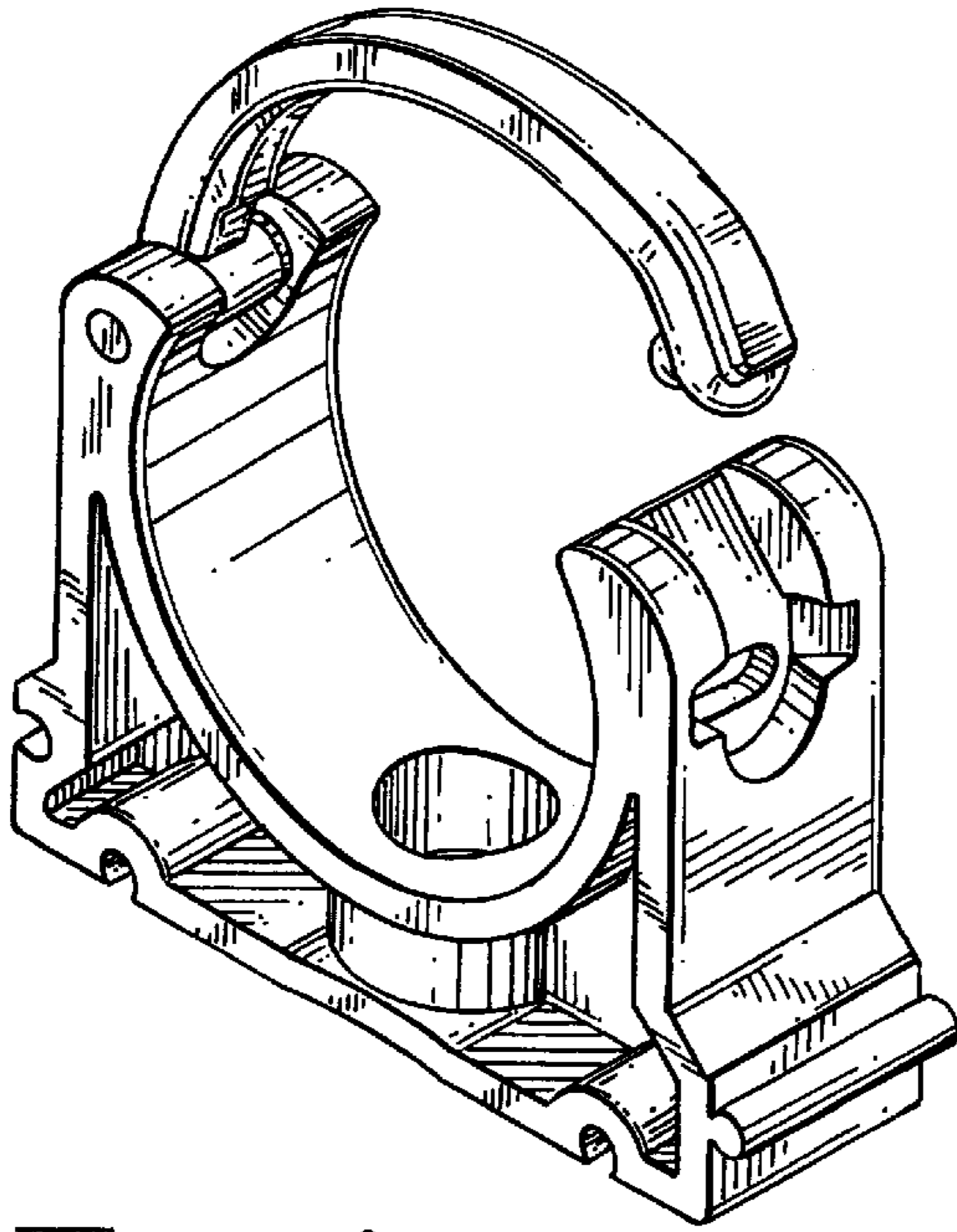


FIG. 1

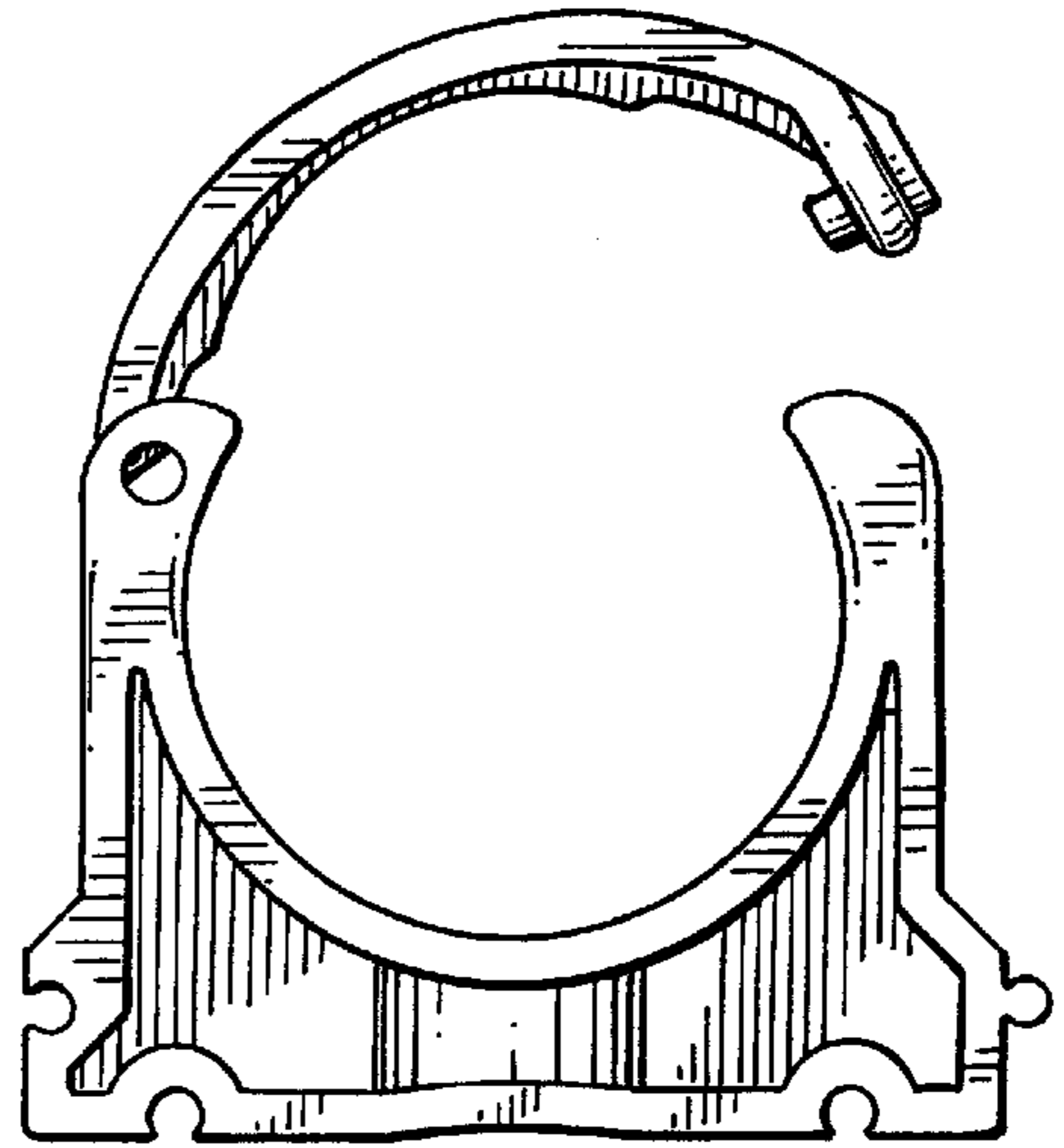


FIG. 2

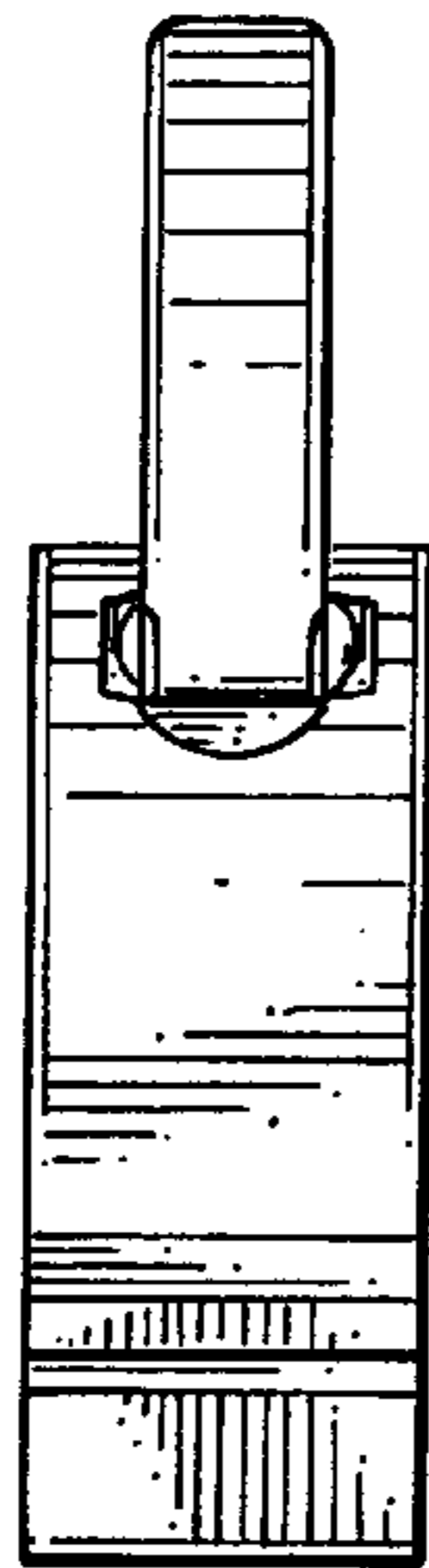


FIG. 3

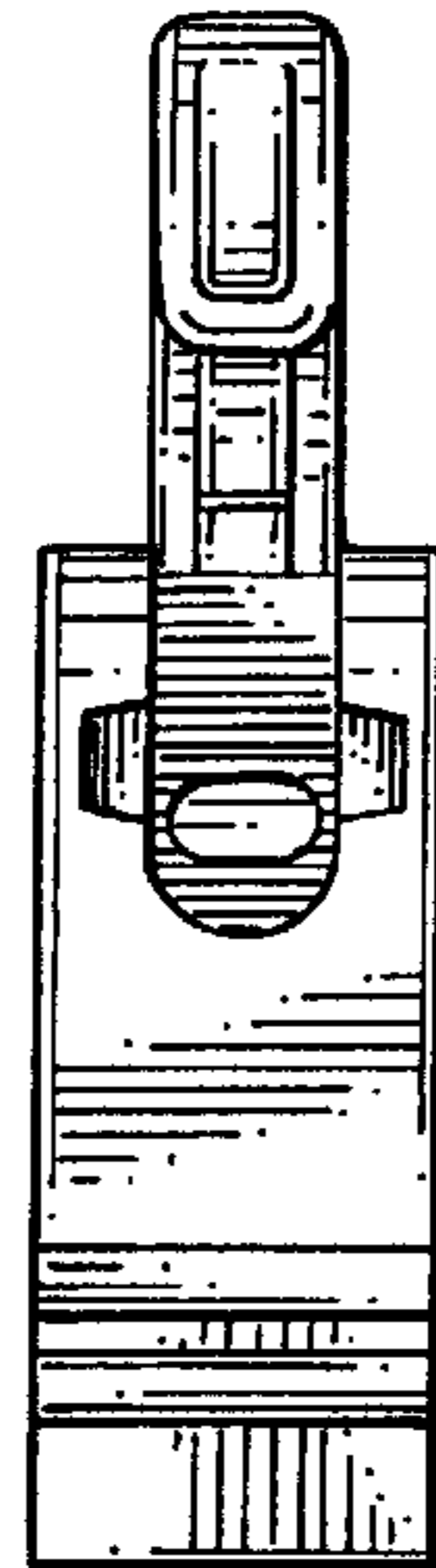


FIG. 4

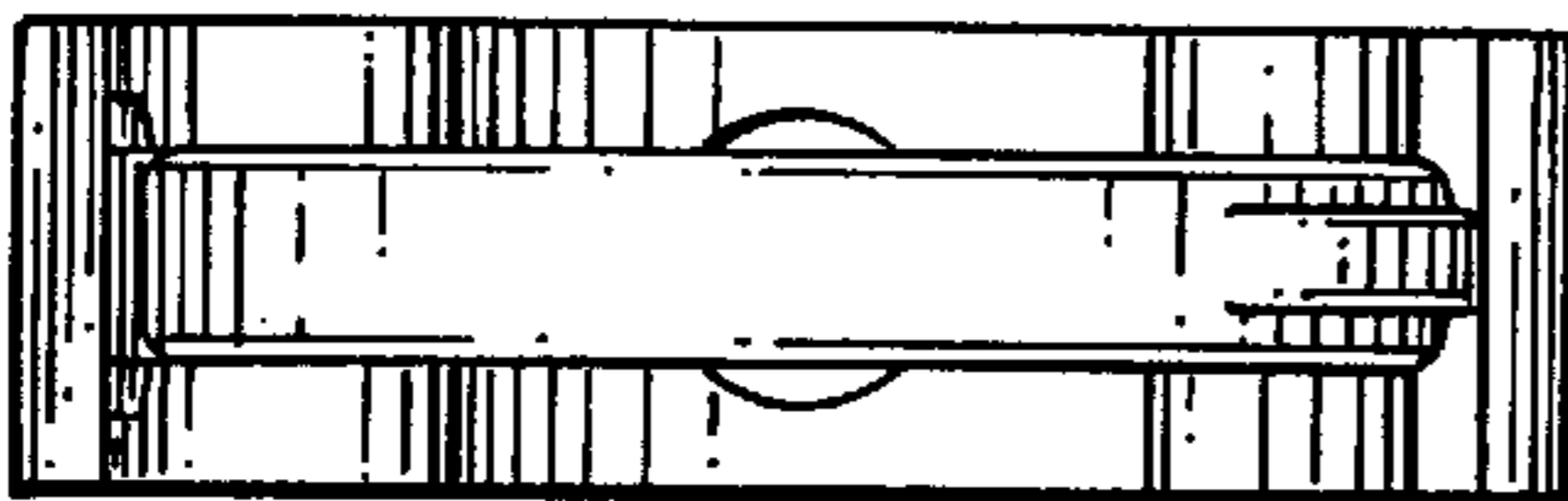


FIG. 5

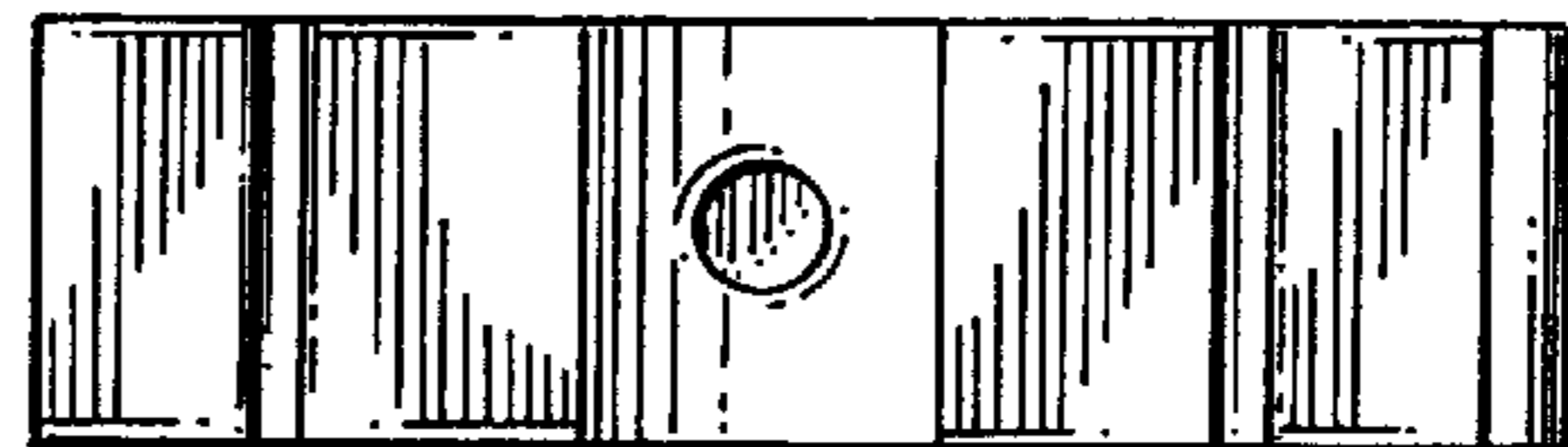


FIG. 6