



US00D414397S

United States Patent [19]
Finkelstein et al.

[11] **Patent Number: Des. 414,397**
[45] **Date of Patent: ** Sep. 28, 1999**

[54] **DOOR LOCKING APPARATUS**

[75] Inventors: **Burl Finkelstein**, Newnan, Ga.;
Patrick J. Huppert, River Falls, Wis.

[73] Assignee: **Kason Industries, Inc.**, Shenandoah, Ga.

[**] Term: **14 Years**

[21] Appl. No.: **29/081,987**

[22] Filed: **Jan. 12, 1998**

[51] **LOC (6) Cl.** **08-07**

[52] **U.S. Cl.** **D8/331; D8/338**

[58] **Field of Search** D8/330, 331, 338,
D8/341; 292/145, 194, 207, 336.3, DIG. 20,
DIG. 30, DIG. 31, DIG. 49; 70/94-100,
57, 91, 207-209, 221, 89

[56] **References Cited**

U.S. PATENT DOCUMENTS

D. 292,171 10/1987 Berg D8/331
D. 303,079 8/1989 Parthenis D8/331

D. 344,881 3/1994 Sauerland D8/331
2,253,325 8/1941 Davidson 292/57
3,626,507 12/1971 Hawkins 292/175
3,695,657 10/1972 Rosen 292/57
3,799,593 3/1974 Dielman 292/145
4,631,937 12/1986 Debus et al. 70/207
4,815,744 3/1989 Correnti 292/145

Primary Examiner—Pamela Burgess
Attorney, Agent, or Firm—Kennedy, Davis & Kennedy, P.C.

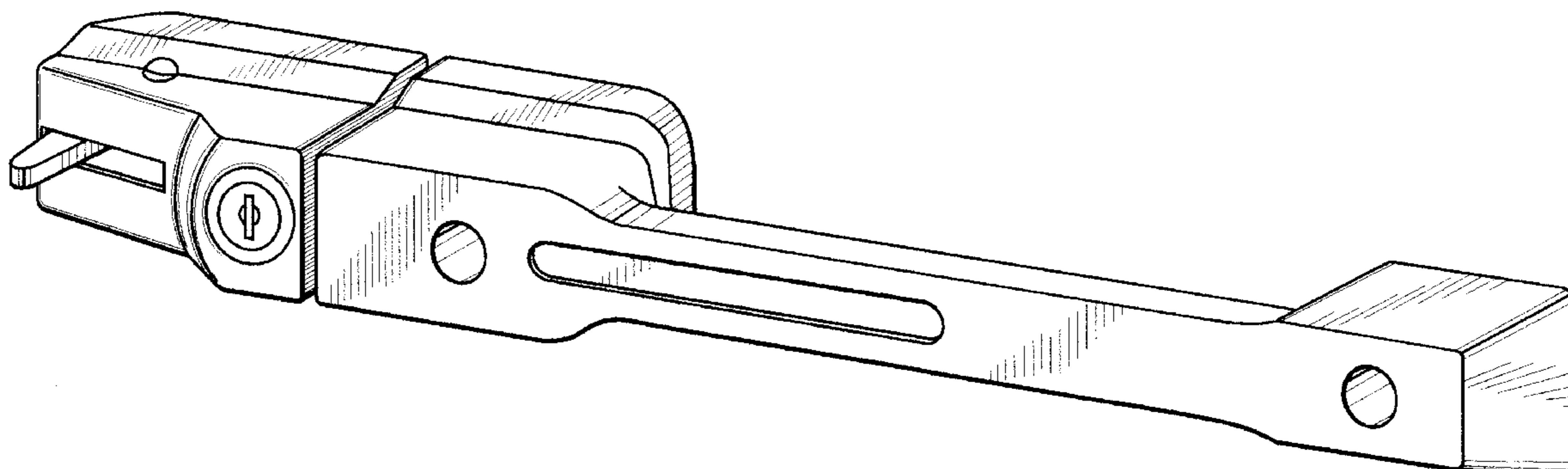
[57] **CLAIM**

The ornamental design for a door locking apparatus, as shown and described.

DESCRIPTION

FIG. 1 is a perspective view of the door locking apparatus. FIG. 2 is a front view thereof, the rear being hidden from view. FIG. 3 is a top view thereof, the bottom view being a mirror image. FIG. 4 is an end view thereof; and, FIG. 5 is an end view of the end opposite to that shown in FIG. 4.

1 Claim, 2 Drawing Sheets



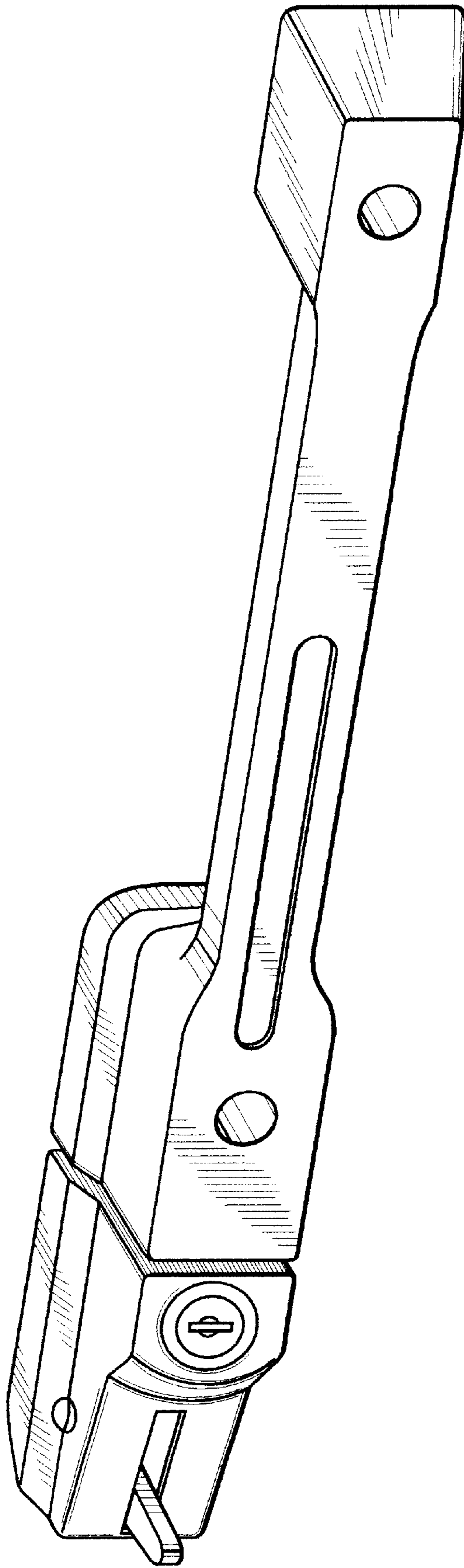


FIG. 1

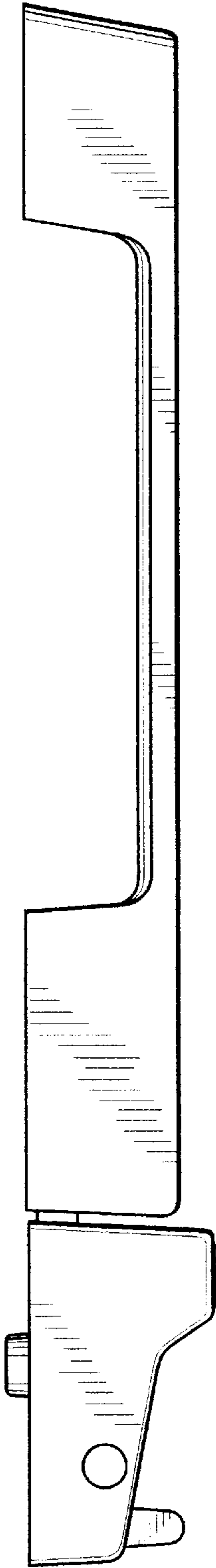


FIG. 3

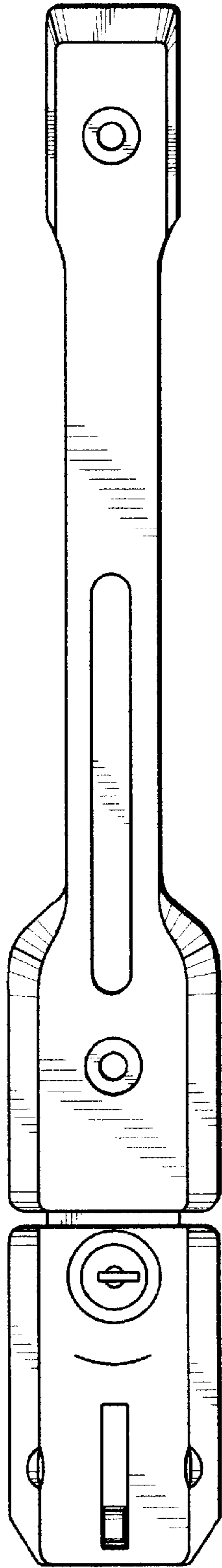


FIG. 2

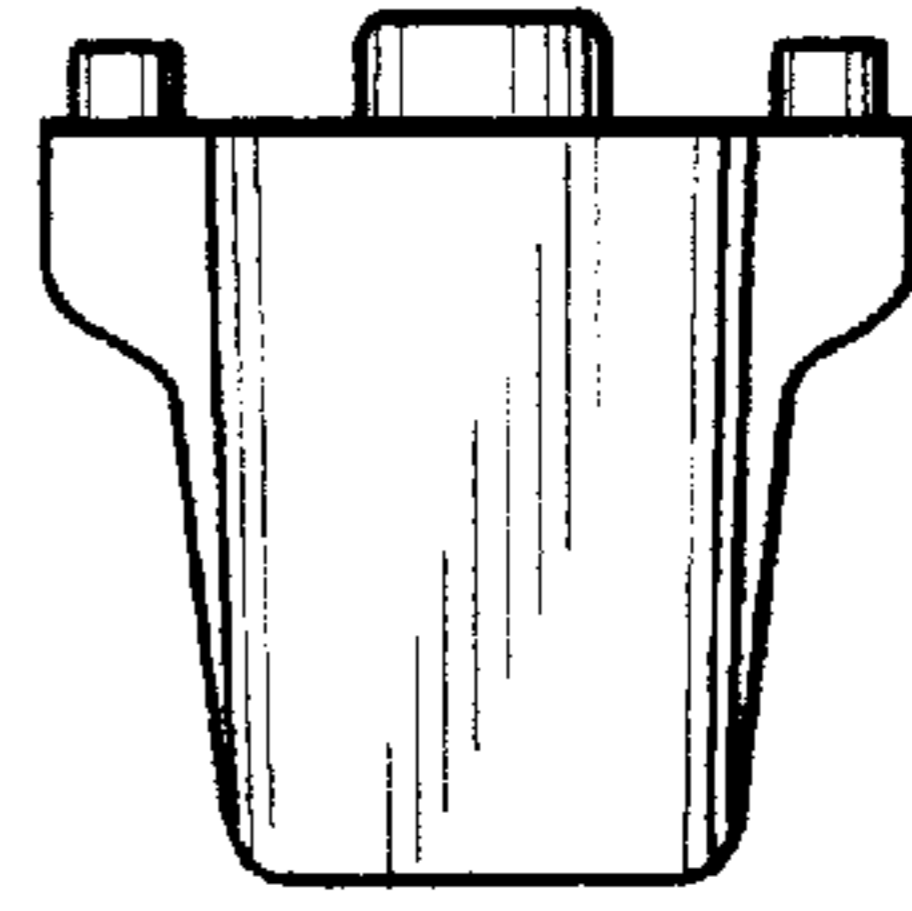


FIG. 5

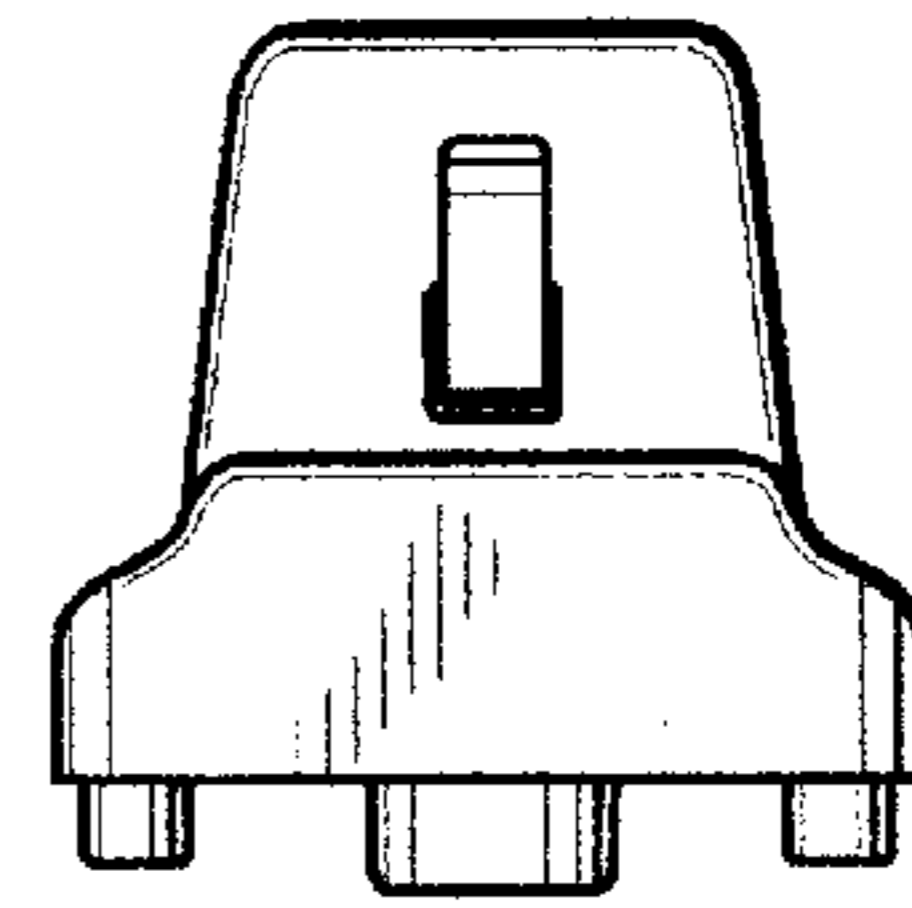


FIG. 4