



US00D414393S

United States Patent [19]

Berg et al.

[11] Patent Number: Des. 414,393

[45] Date of Patent: ** Sep. 28, 1999

[54] **HANDLES FOR A MULTIPURPOSE FOLDING TOOL**

[75] Inventors: **Howard G. Berg**, Gresham; **Timothy S. Leatherman**, Portland, both of Oreg.

[73] Assignee: **Leatherman Tool Group, Inc.**, Portland, Oreg.

[**] Term: 14 Years

[21] Appl. No.: 29/099,877

[22] Filed: Jan. 29, 1999

[51] LOC (6) Cl. 08-05

[52] U.S. Cl. D8/55; D8/105

[58] Field of Search D8/105, 107, 55, D8/52, 98, 99; 7/128, 129, 117, 118, 167, 168; 81/427.5, 177.1, 177.2, 177.6, 300; 30/152, 153, 161, 162, 255

[56] References Cited

U.S. PATENT DOCUMENTS

D. 384,872	10/1997	Yeh	D8/105
D. 385,170	10/1997	Rivera	D8/52
D. 398,209	9/1998	Rivera	D8/52
D. 403,569	1/1999	Frazer	D8/105
D. 406,508	3/1999	Rivera	D8/55
D. 406,509	3/1999	Rivera	D8/55
D. 406,997	3/1999	Robbins	D8/55
D. 407,621	4/1999	Koon et al.	D8/105
D. 407,622	4/1999	Rivera	D8/52 X
4,238,862	12/1980	Leatherman	7/128
4,648,145	3/1987	Miceli	7/158
4,722,140	2/1988	Miceli	30/153
4,744,272	5/1988	Leatherman	81/427.5
4,888,869	12/1989	Leatherman	30/161

5,062,173	11/1991	Collins et al.	30/255 X
5,142,721	9/1992	Sessions et al.	7/128
5,212,844	5/1993	Sessions et al.	7/128
5,267,366	12/1993	Frazer	7/128
5,697,114	12/1997	McIntosh et al.	7/129
5,745,997	5/1998	Berg et al.	30/155
5,781,950	7/1998	Swindey et al.	7/128
5,809,599	9/1998	Frazer	7/128
5,826,338	10/1998	Chilton et al.	30/90.1

Primary Examiner—Jeffrey Asch
Attorney, Agent, or Firm—Chernoff, Vilhauer, McClung & Stenzel, LLP

[57] CLAIM

The ornamental design for handles for a multipurpose folding tool, as shown and described.

DESCRIPTION

FIG. 1 is an isometric view from the upper right front of a pair of handles for a multipurpose folding tool, wherein the broken line illustration of an exemplary pair of jaws and a jaw pivot joint connector for such a tool is included for illustrative purposes and forms no part of the claimed design;

FIG. 2 is an isometric view from the upper right front of the pair of handles for a multipurpose folding tool shown in FIG. 1;

FIG. 3 is a top plan view thereof;

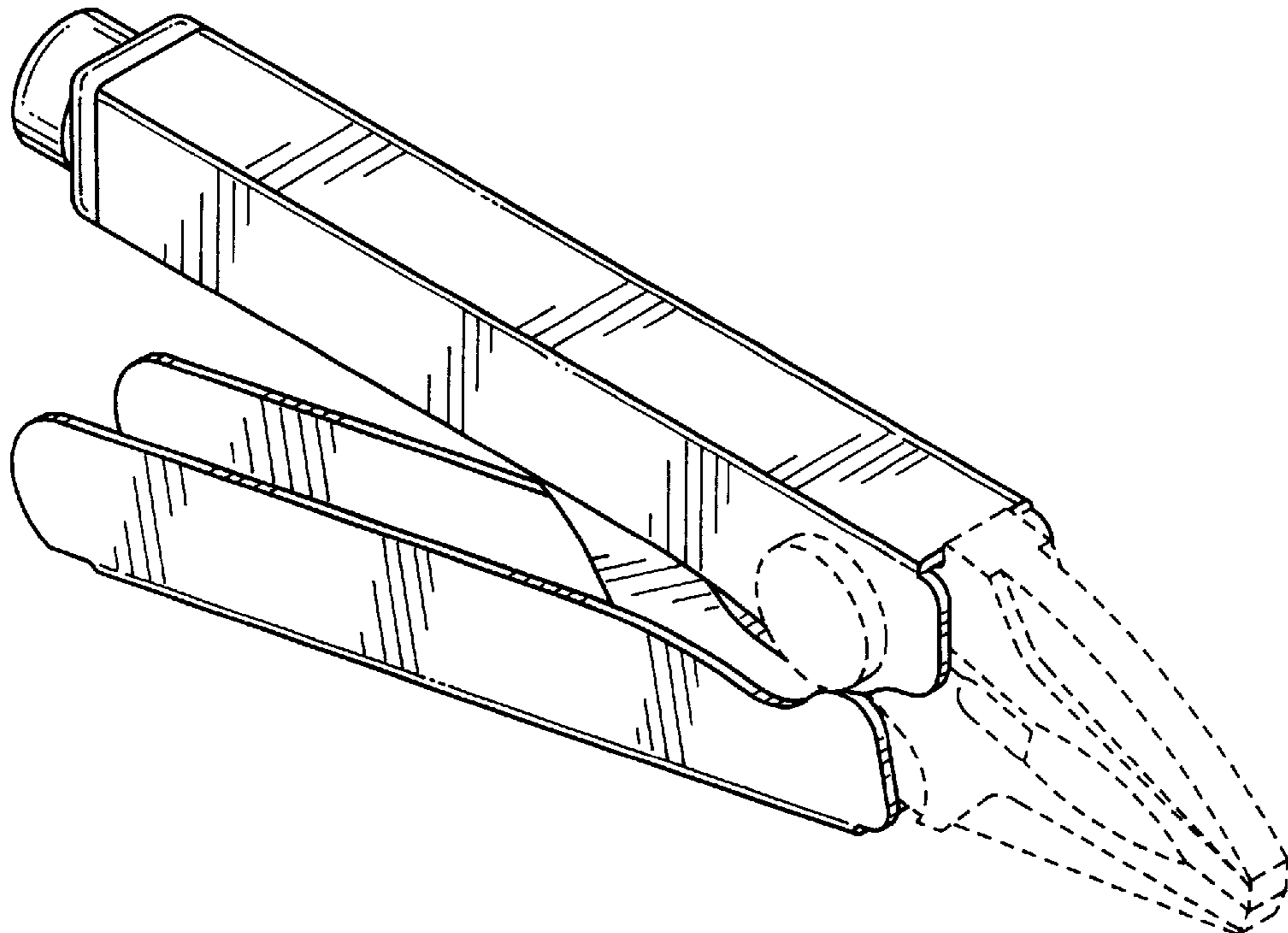
FIG. 4 is a right side elevational view thereof, the left side elevational view being a mirror image of the view shown in FIG. 4;

FIG. 5 is a bottom plan view thereof;

FIG. 6 is a rear end view thereof; and,

FIG. 7 is a front end view thereof.

1 Claim, 2 Drawing Sheets



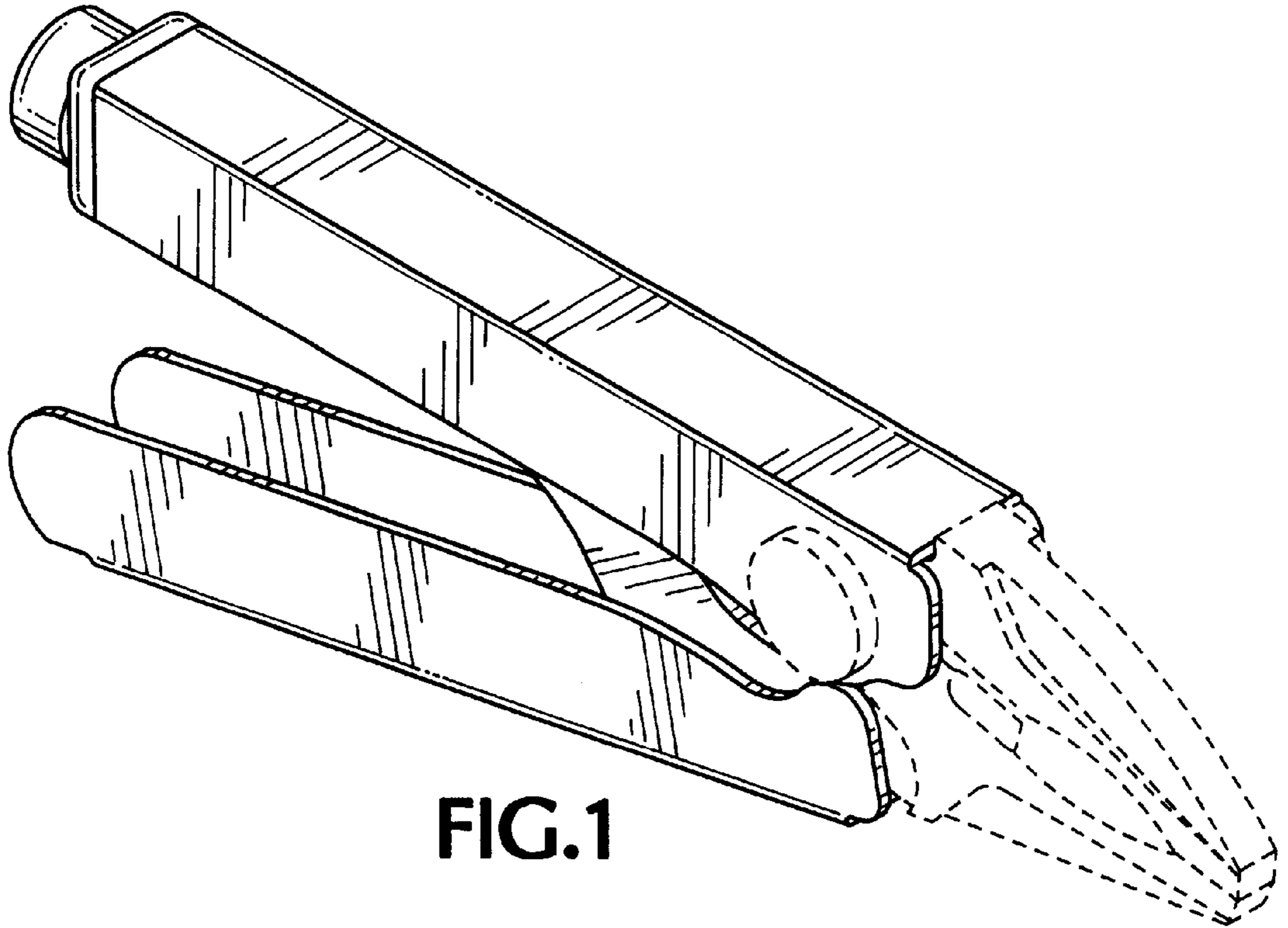


FIG. 1

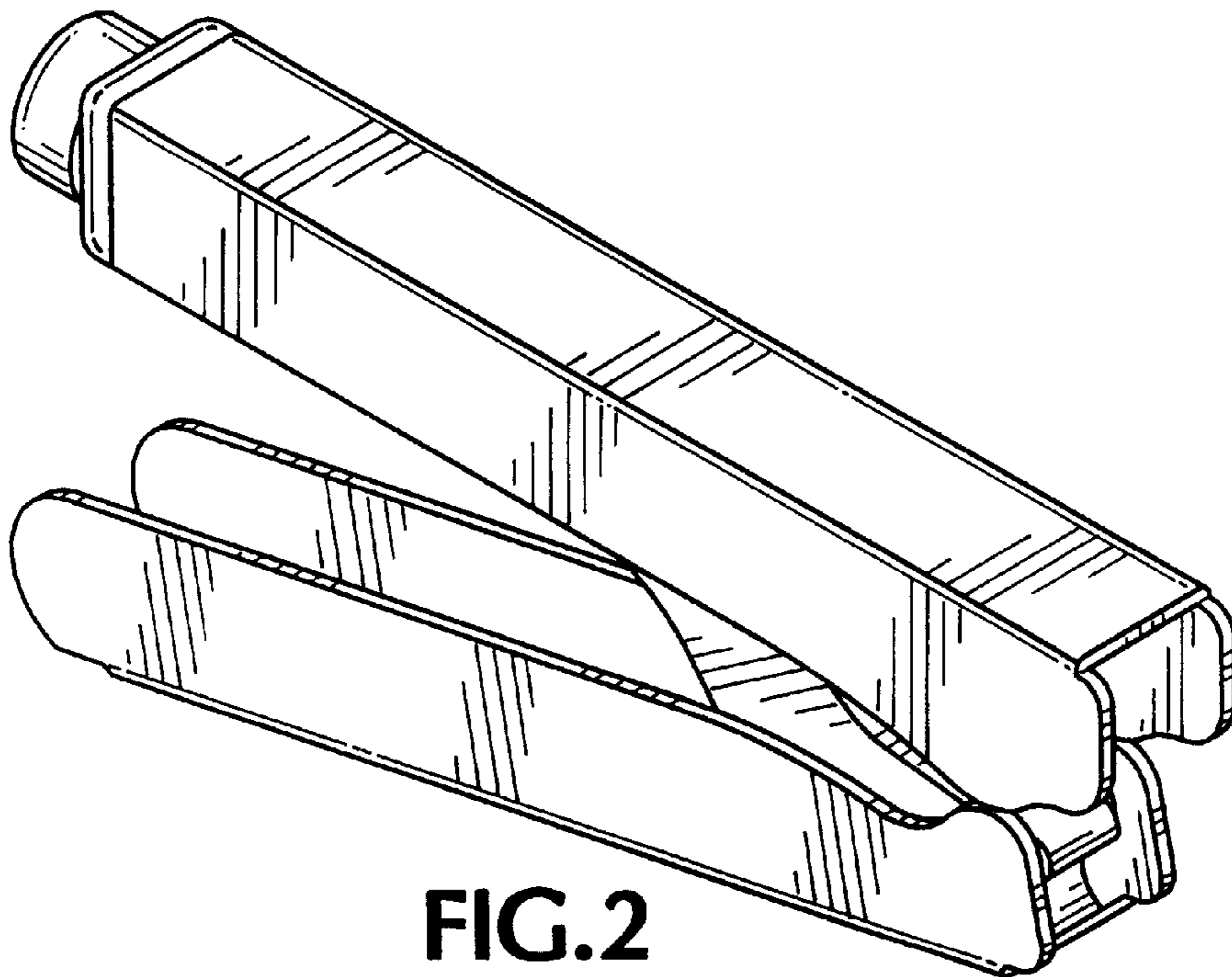


FIG. 2

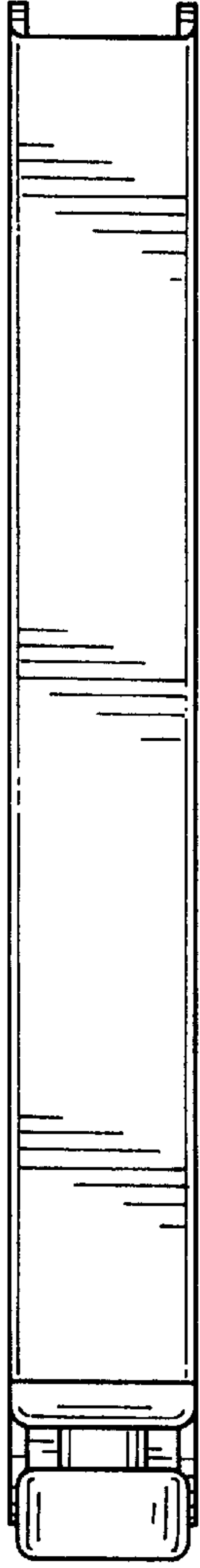


FIG. 3

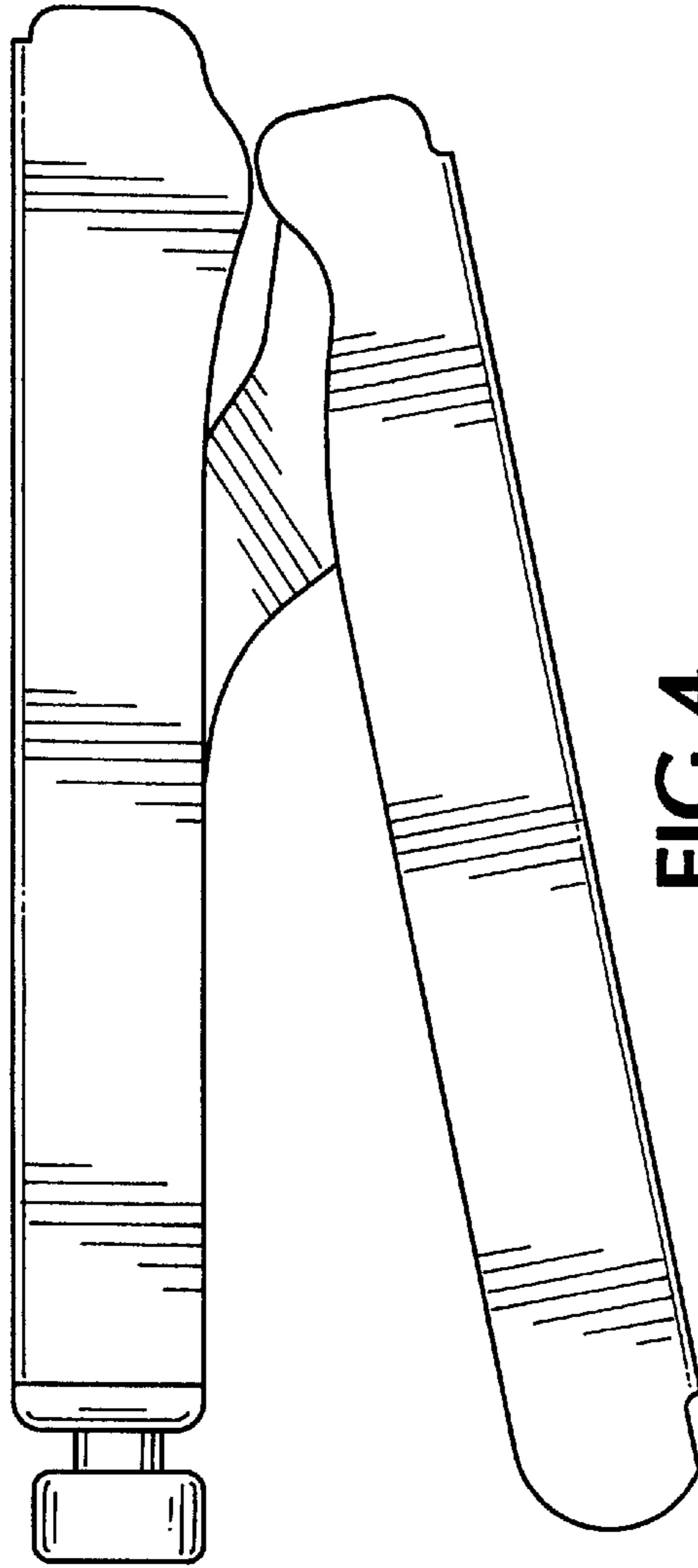


FIG. 4

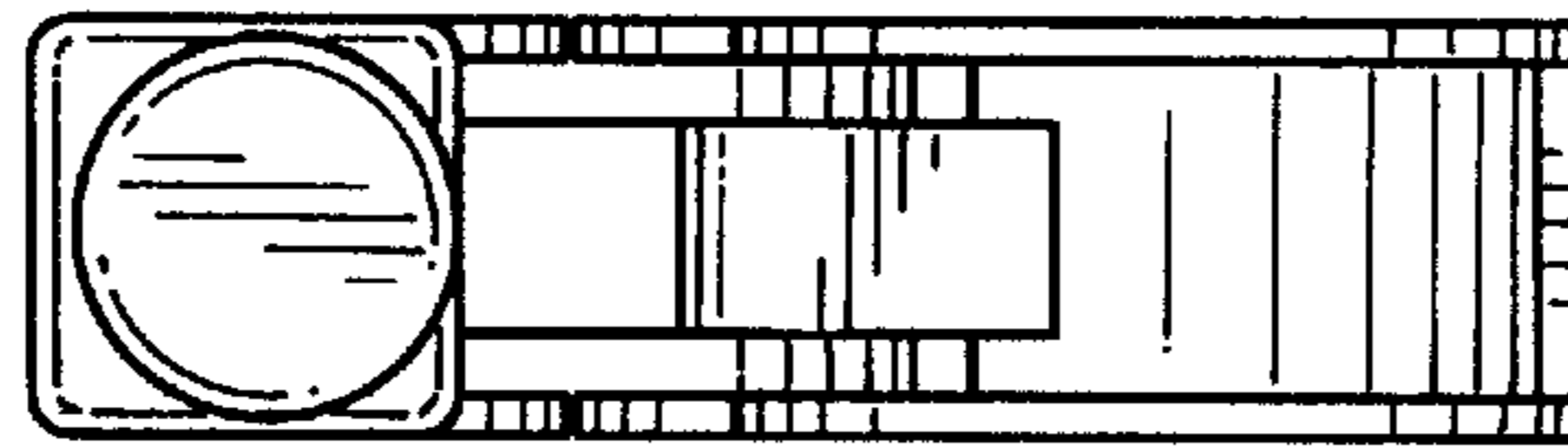


FIG. 6

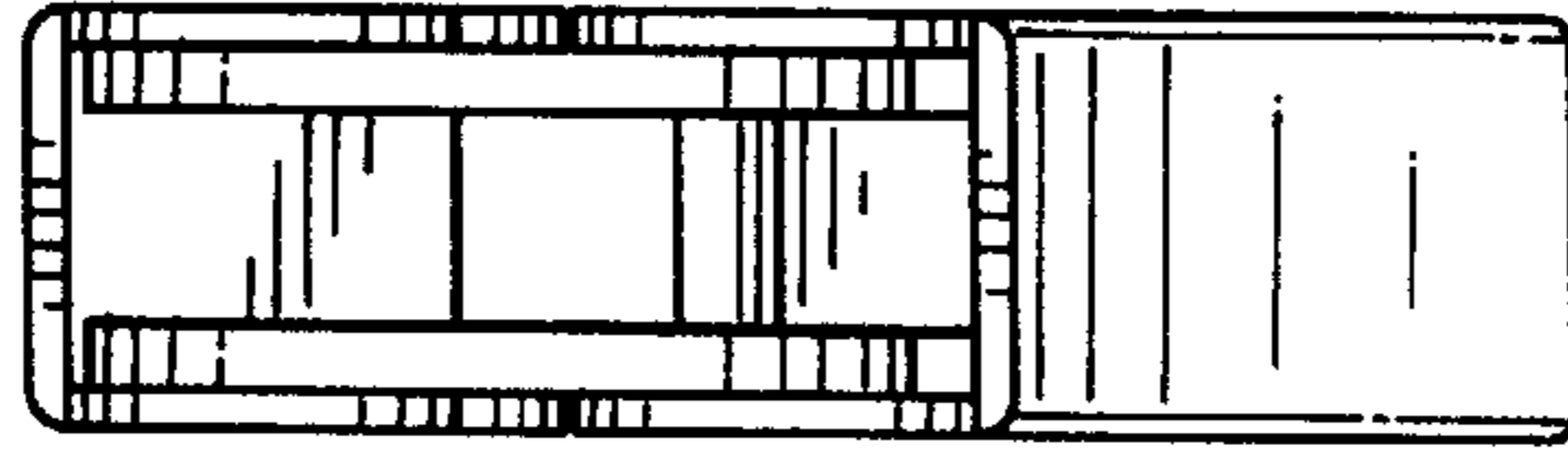


FIG. 7

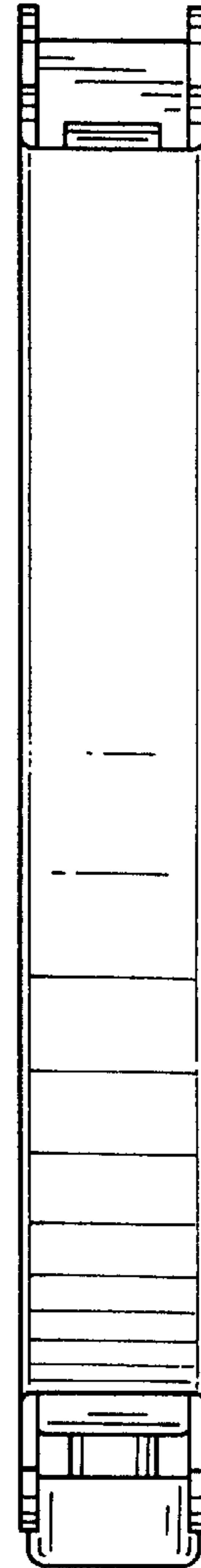


FIG. 5