



US00D414390S

United States Patent [19] Sarver

[11] **Patent Number: Des. 414,390**

[45] **Date of Patent: ** Sep. 28, 1999**

[54] **ROLLER APPLYING TOOL**

4,175,319 11/1979 Frauenhoffer et al. 29/724

[76] Inventor: **Dan Sarver**, 320 Krotzer, Luckey, Ohio
43443

Primary Examiner—Ted Shooman
Assistant Examiner—Richelle Shelton
Attorney, Agent, or Firm—Oldham & Oldham Co., L.P.A.

[**] Term: **14 Years**

[57] **CLAIM**

[21] Appl. No.: **29/077,734**

The ornamental design for a roller applying tool, as shown and described.

[22] Filed: **Oct. 7, 1997**

[51] **LOC (6) Cl.** **08-05**

[52] **U.S. Cl.** **D8/14**

[58] **Field of Search** D8/14, 88; 29/270,
29/281.1, 724; 157/1.17

DESCRIPTION

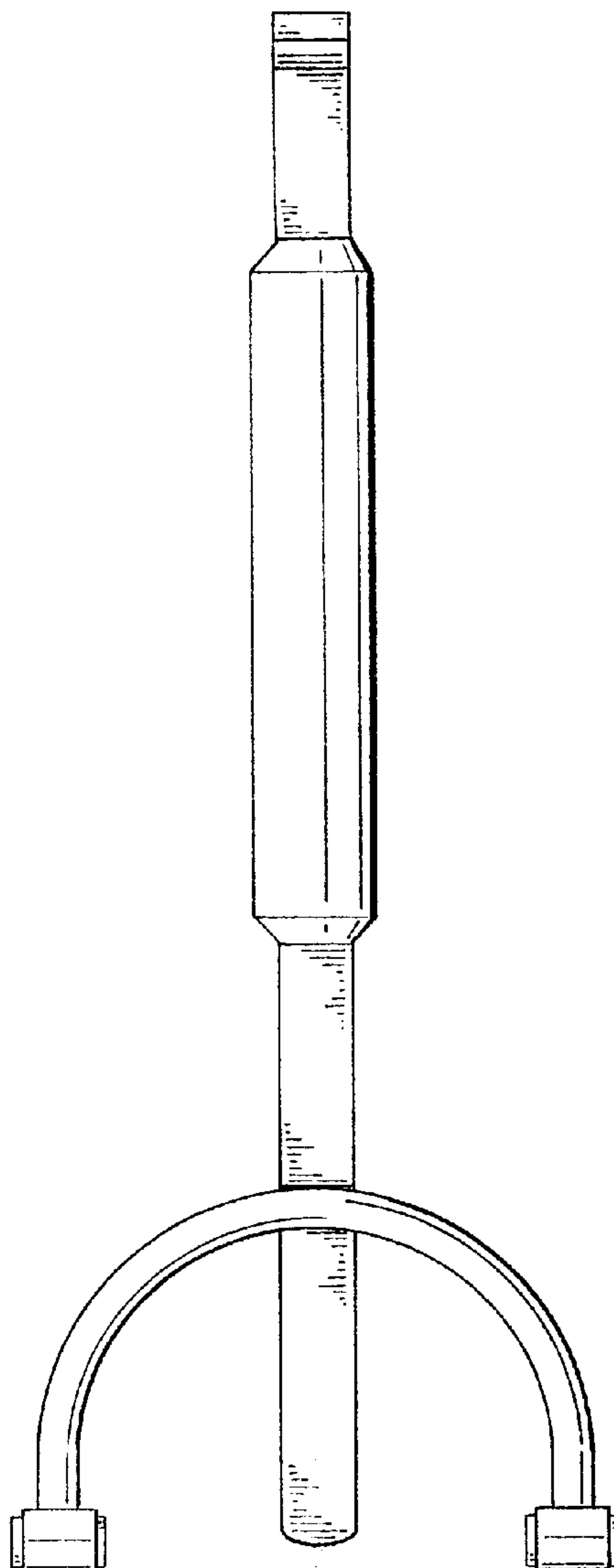
[56] **References Cited**

U.S. PATENT DOCUMENTS

- D. 278,791 5/1985 Stultz et al. D8/88
- D. 389,975 1/1998 Andrews et al. D8/14 X
- 913,897 3/1909 James 157/1.17

FIG. 1 is a frontal view of a new design for roller applying tool;
FIG. 2 is a top view;
FIG. 3 is a side view, the opposite side view being a mirror image thereof;
FIG. 4 is a rear view; and,
FIG. 5 is a bottom view.

1 Claim, 2 Drawing Sheets



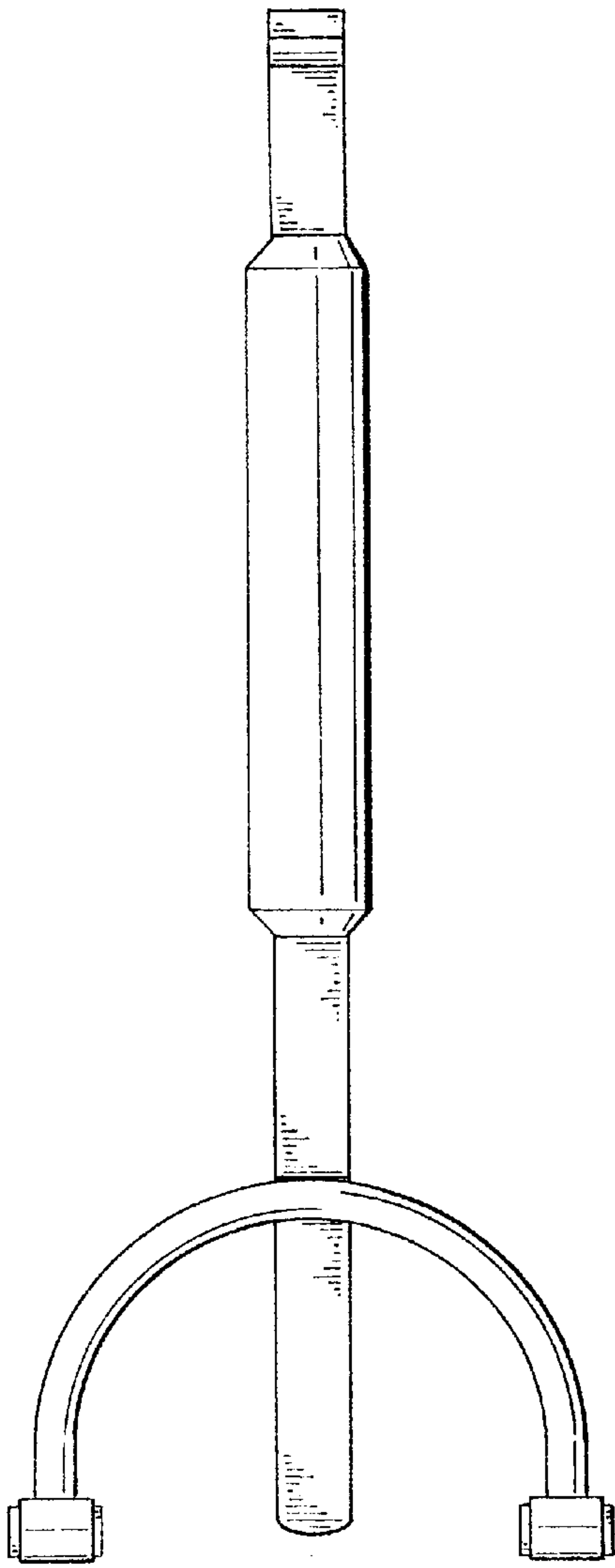


FIG. -2

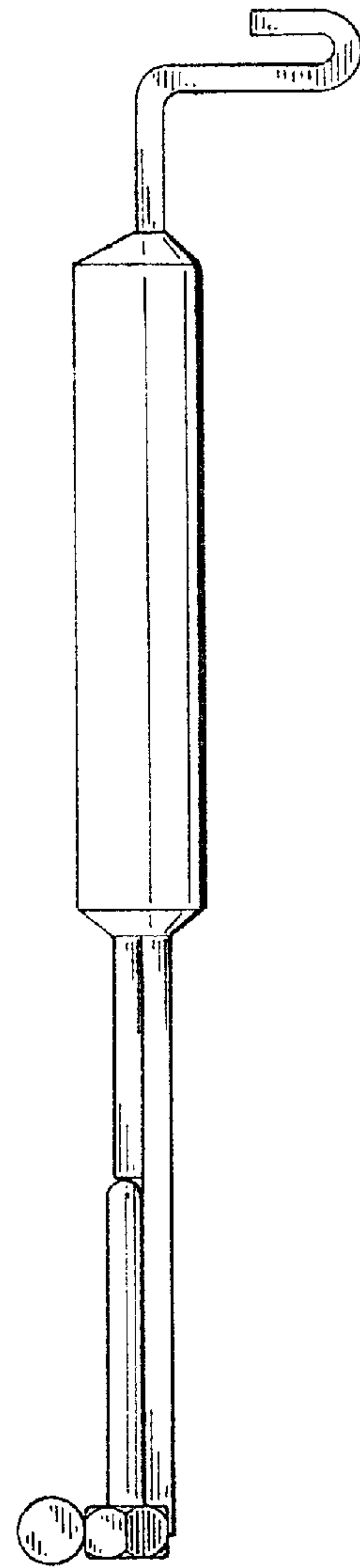


FIG. -3

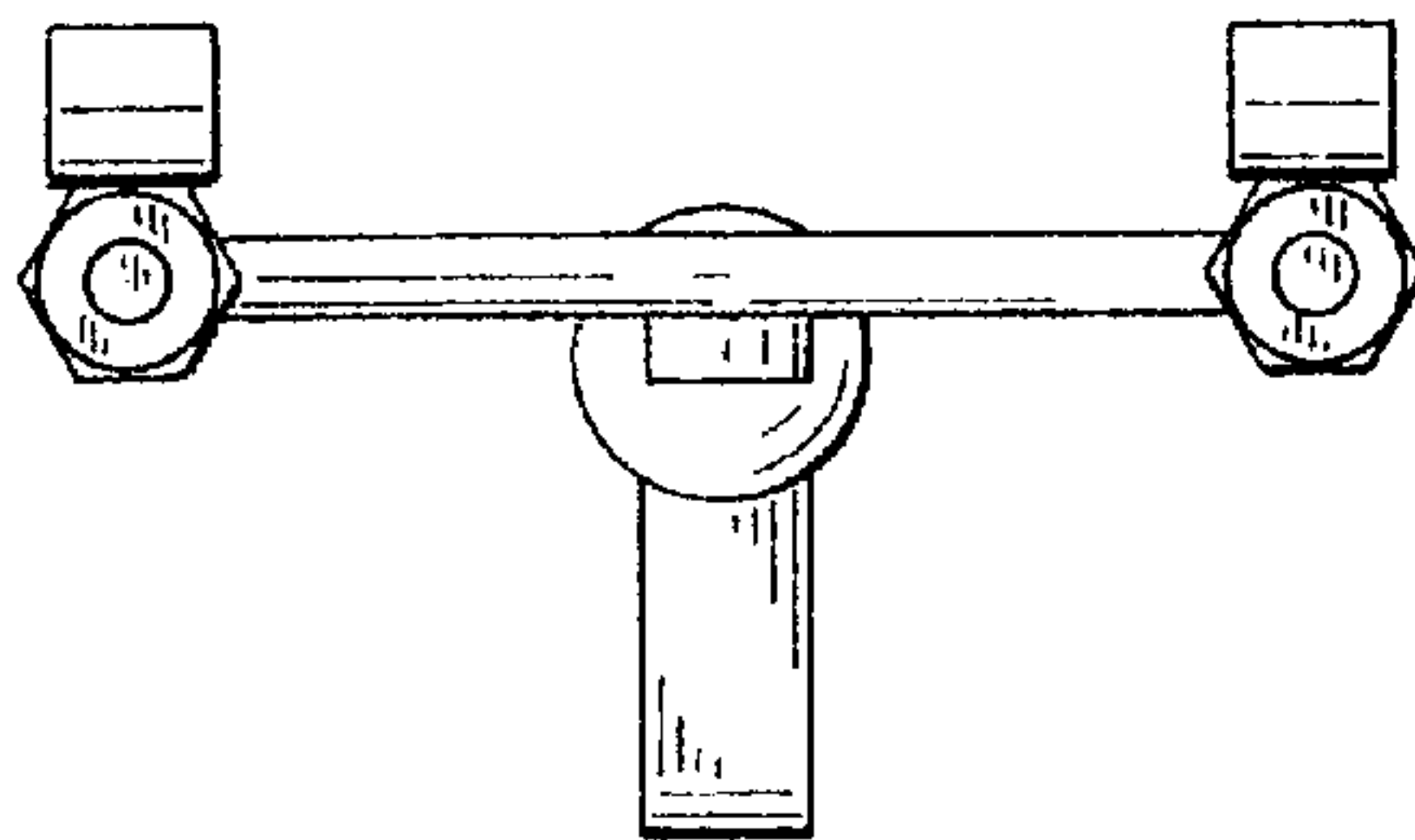


FIG. -1

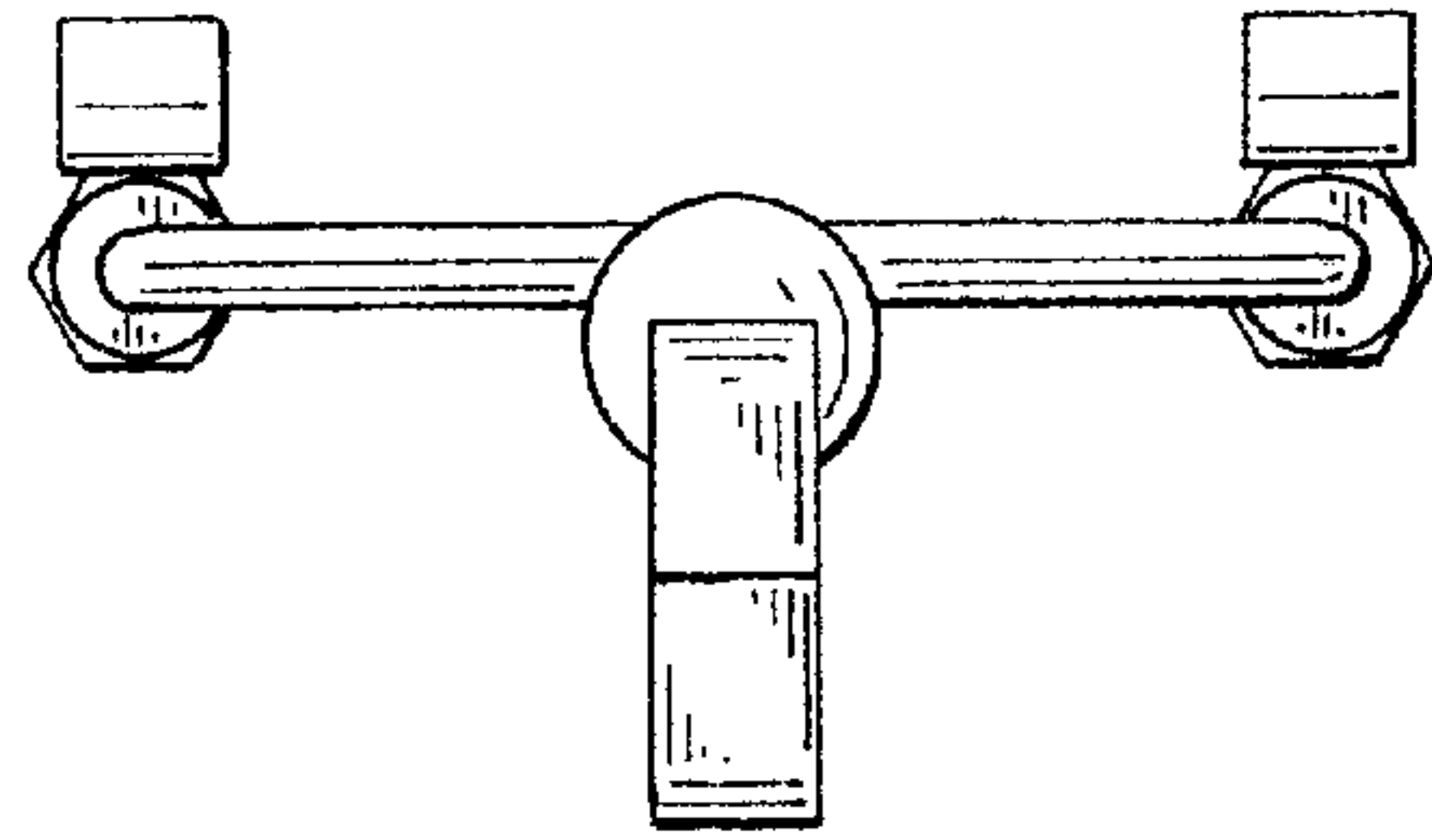


FIG. -4

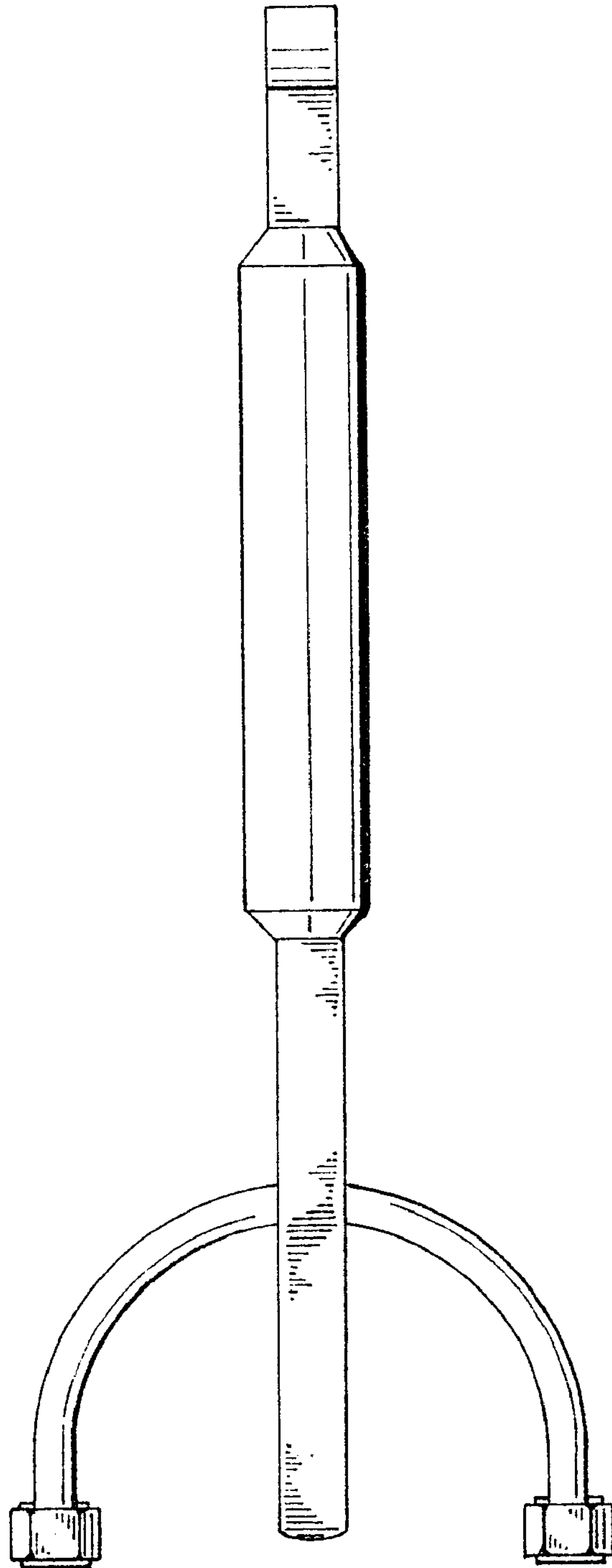


FIG.-5