



US00D414389S

United States Patent [19]

[11] **Patent Number: Des. 414,389**

Mele

[45] **Date of Patent: ** Sep. 28, 1999**

[54] **COMBINED ROOF RAKE AND SNOW
PUSHER**

2,598,952 6/1952 Weingart 294/54.5
4,214,385 7/1980 Baranowski et al. 37/434
5,465,510 11/1995 Goodnough et al. 294/54.5

[76] Inventor: **Peter C. Mele**, P.O. Box 533, Crown Point, N.Y. 12928

Primary Examiner—Holly Baynham

[**] Term: **14 Years**

[57] **CLAIM**

[21] Appl. No.: **29/065,501**

The ornamental design for a combined roof rake and snow pusher, as shown and described.

[22] Filed: **Jan. 27, 1997**

DESCRIPTION

[51] **LOC (6) Cl.** **08-01**

FIG. 1 is a side view with the opposite side view being identical in appearance.

[52] **U.S. Cl.** **D8/10**

FIG. 2 is a top view.

[58] **Field of Search** D8/10, 1; 294/55,
294/54.5; 37/434

FIG. 3 is a bottom view.

FIG. 4 is a front view; and,

FIG. 5 is a back view.

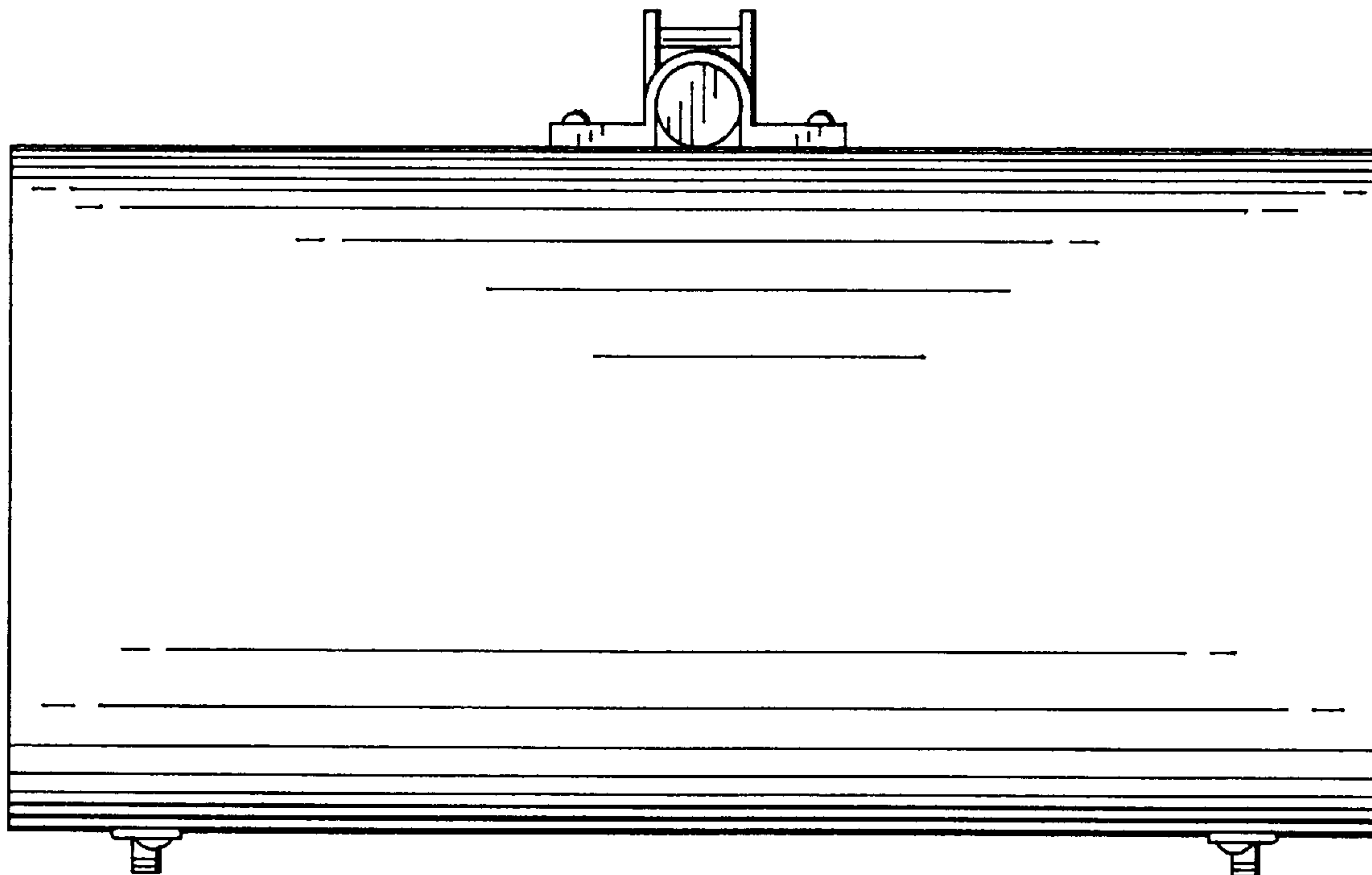
[56] **References Cited**

U.S. PATENT DOCUMENTS

D. 190,820 7/1961 O'Connor D8/10
D. 305,603 1/1990 Nelson et al. D8/10 X
D. 307,378 4/1990 D'Alessandro D8/10
D. 314,318 2/1991 Uimonen D8/10

The broken line showing of attaching structure is for illustrative purposes only and forms no part of the claimed design.

1 Claim, 4 Drawing Sheets



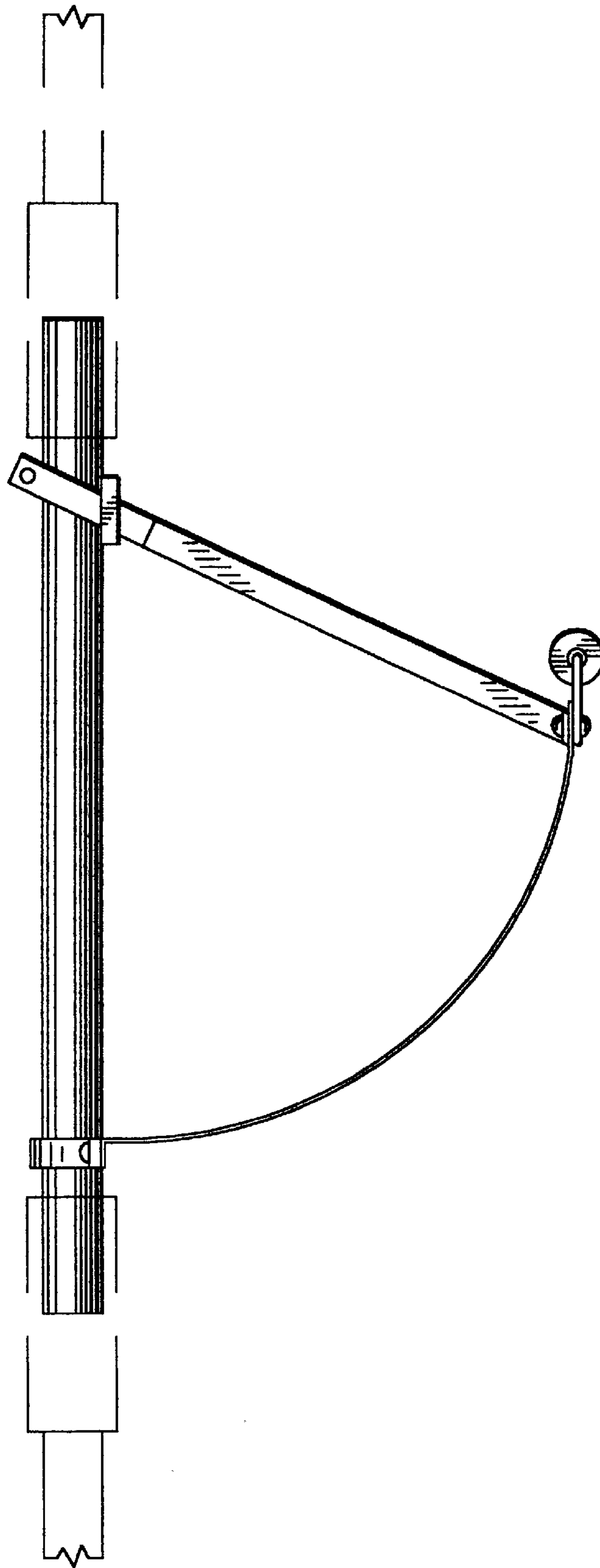


FIG. 1

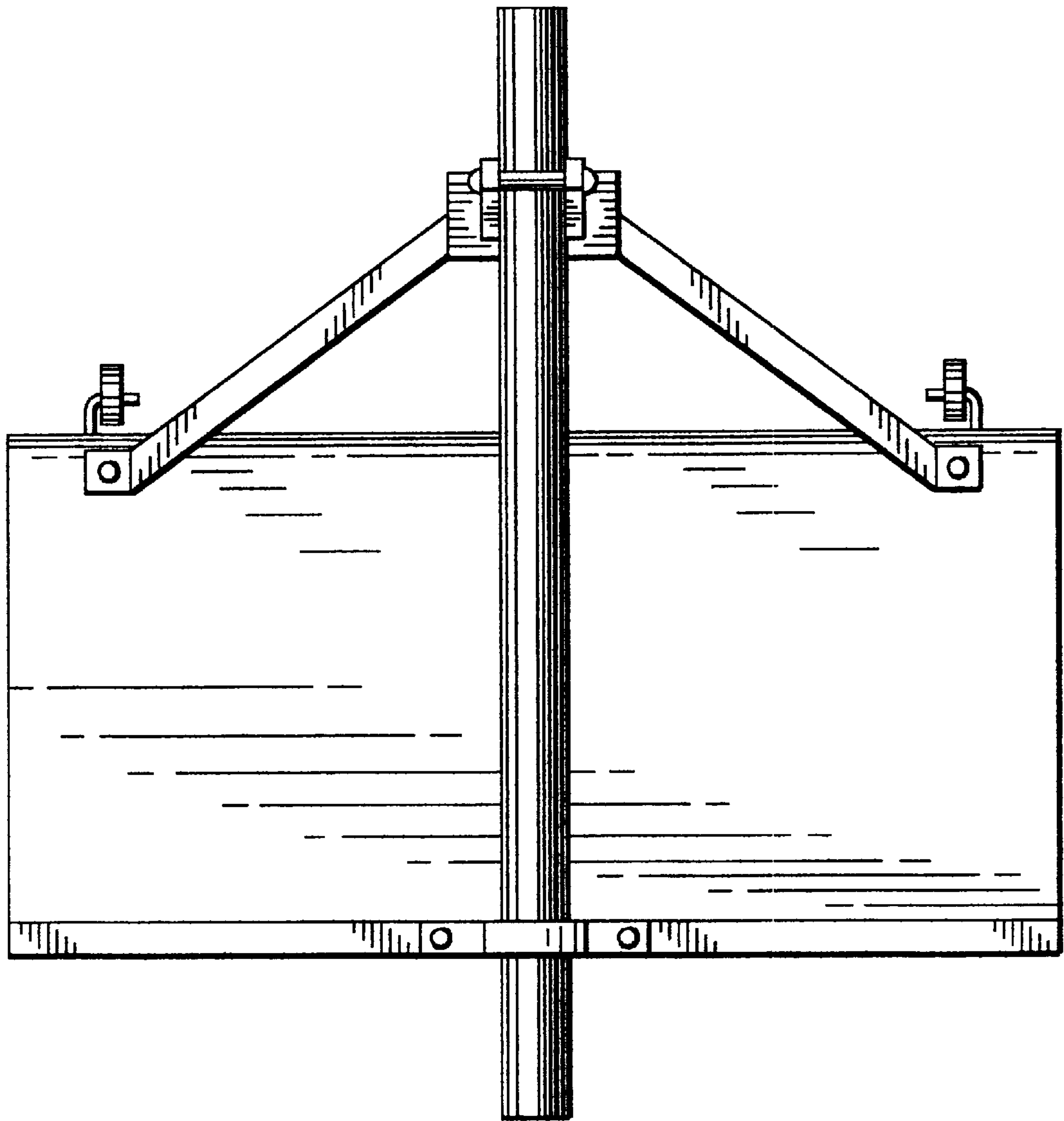


FIG. 2

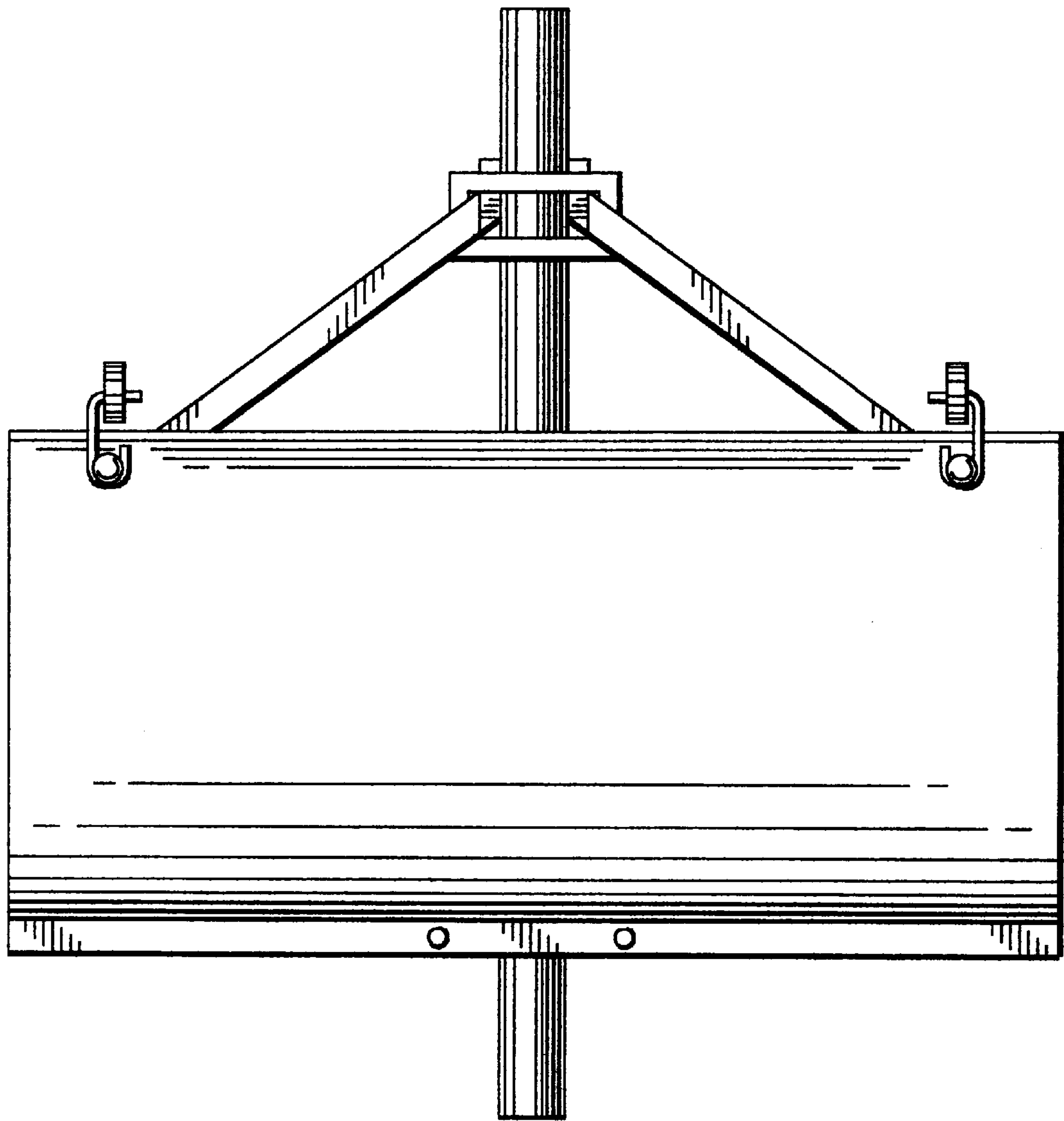


FIG. 3

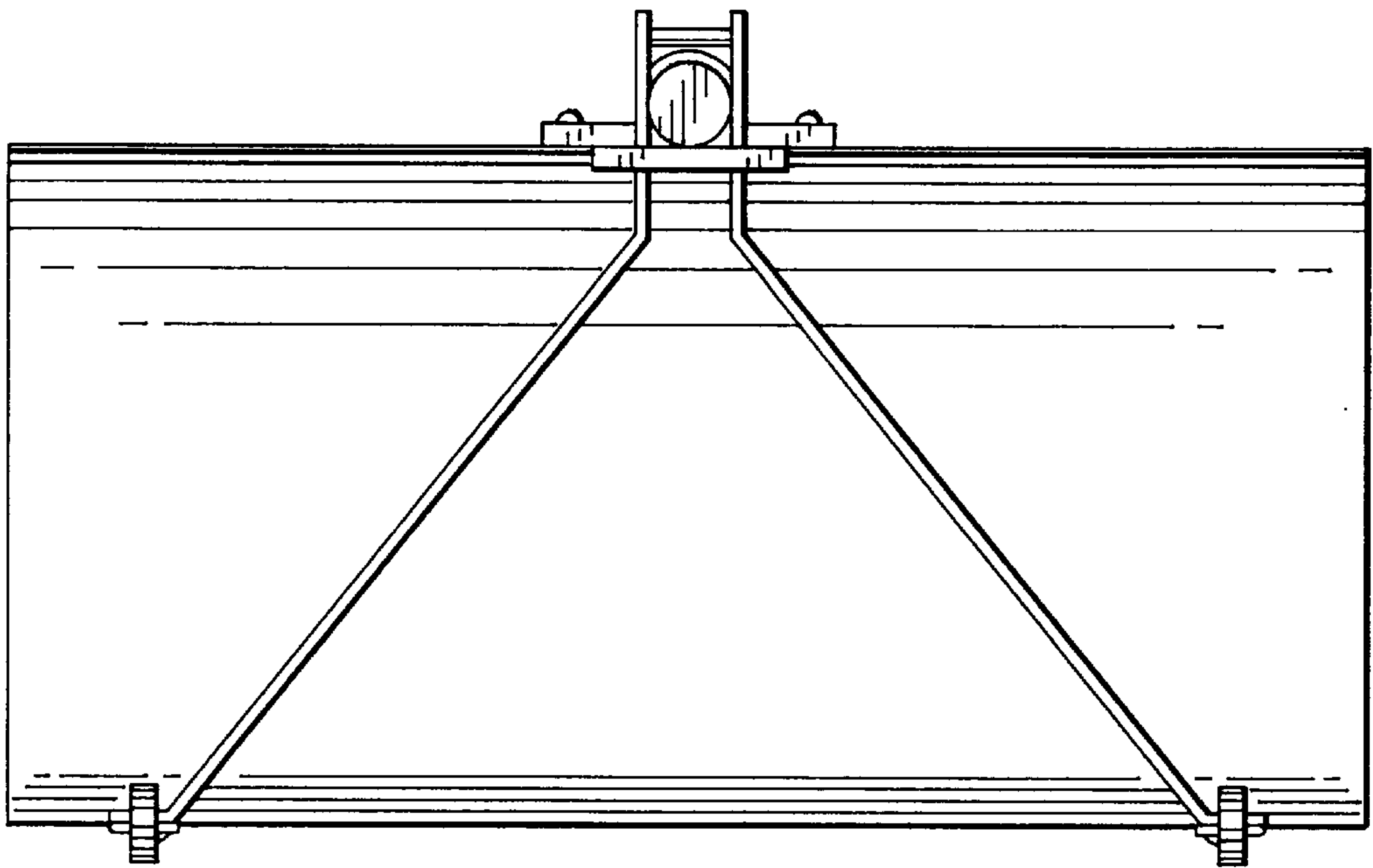


FIG. 4

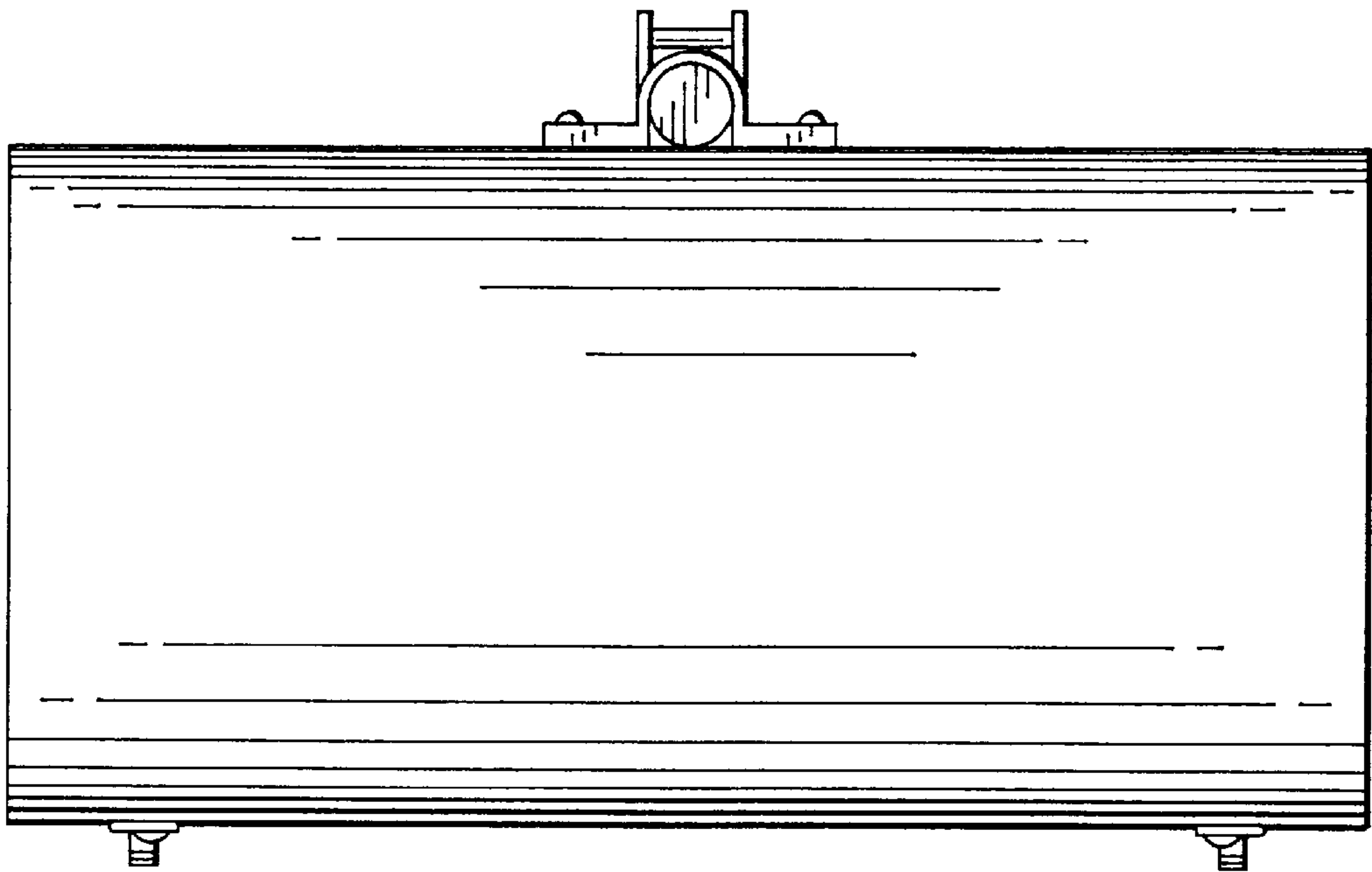


FIG. 5