



US00D414388S

# United States Patent [19] Wright

[11] **Patent Number: Des. 414,388**

[45] **Date of Patent: \*\* Sep. 28, 1999**

[54] **CORDLESS STRING TRIMMER**

D. 336,223 6/1993 Miyamoto et al. .... D8/8

[75] Inventor: **Stuart Wright**, Durham, United Kingdom

*Primary Examiner*—Holly Baynham  
*Attorney, Agent, or Firm*—Kerry H. Owens

[73] Assignee: **Black & Decker Inc.**, Newark, Del.

[57] **CLAIM**

[\*\*] Term: **14 Years**

The ornamental design for a cordless string trimmer, as shown and described.

[21] Appl. No.: **29/073,116**

**DESCRIPTION**

[22] Filed: **Jun. 30, 1997**

[51] **LOC (6) Cl.** ..... **08-05**

[52] **U.S. Cl.** ..... **D8/8**

[58] **Field of Search** ..... D8/8; 56/12.7;  
30/276

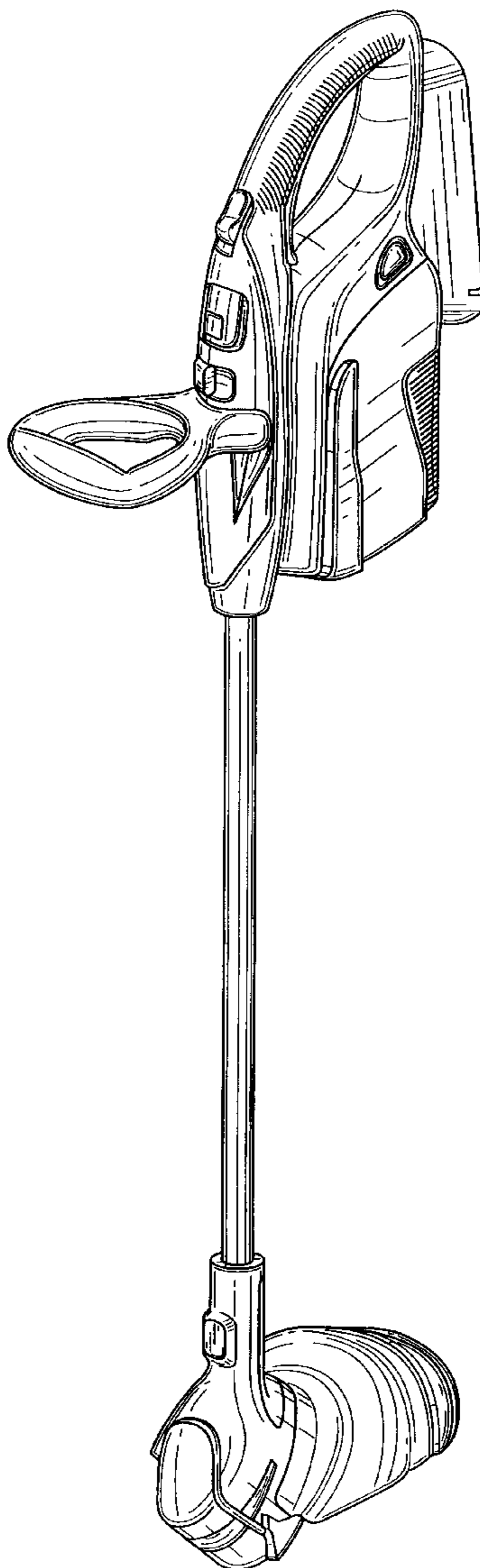
FIG. 1 is a front perspective view of my design;  
FIG. 2 is a side elevational view of my design;  
FIG. 3 is an opposite side elevational view of my design;  
FIG. 4 is a front elevational view of my design;  
FIG. 5 is a rear elevational view of my design;  
FIG. 6 is a top plan view of my design; and,  
FIG. 7 is a bottom plan view of my design.

[56] **References Cited**

**U.S. PATENT DOCUMENTS**

D. 335,674 5/1993 Hoshino ..... D8/8

**1 Claim, 6 Drawing Sheets**



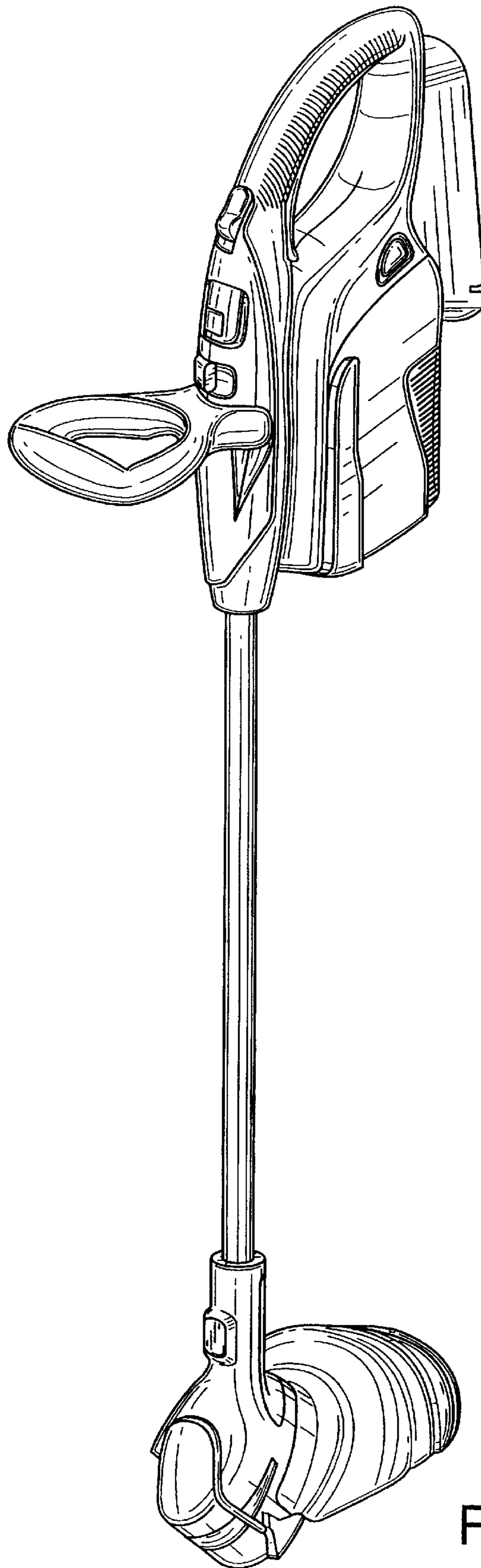


FIG. 1

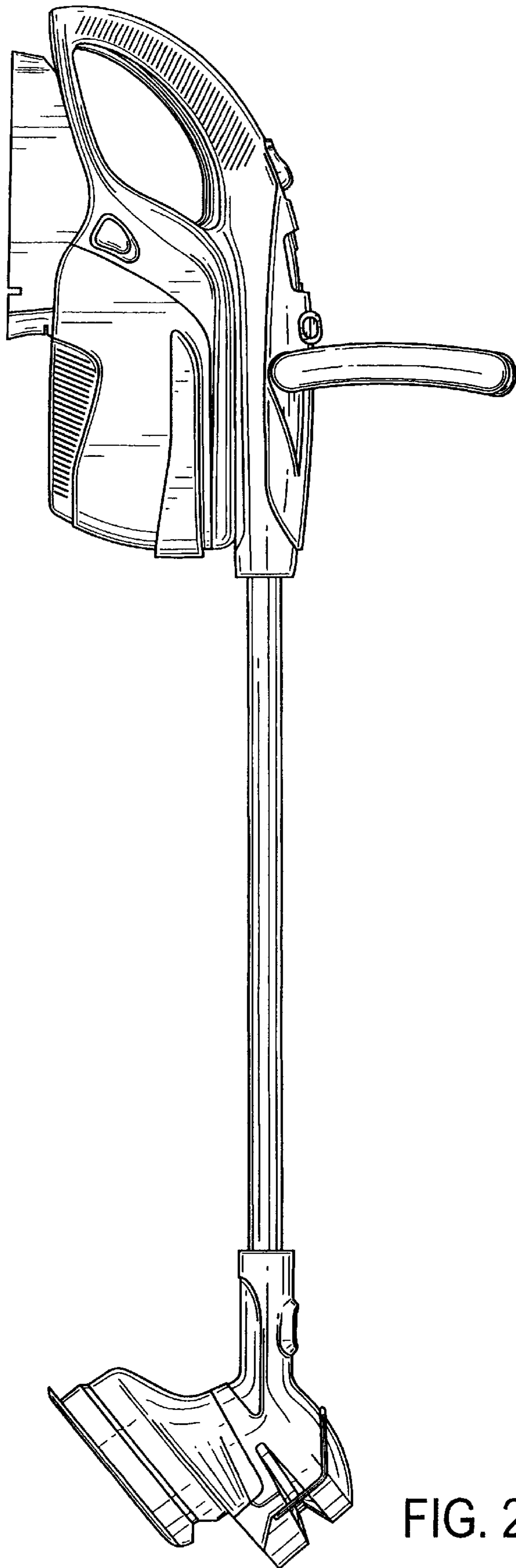


FIG. 2

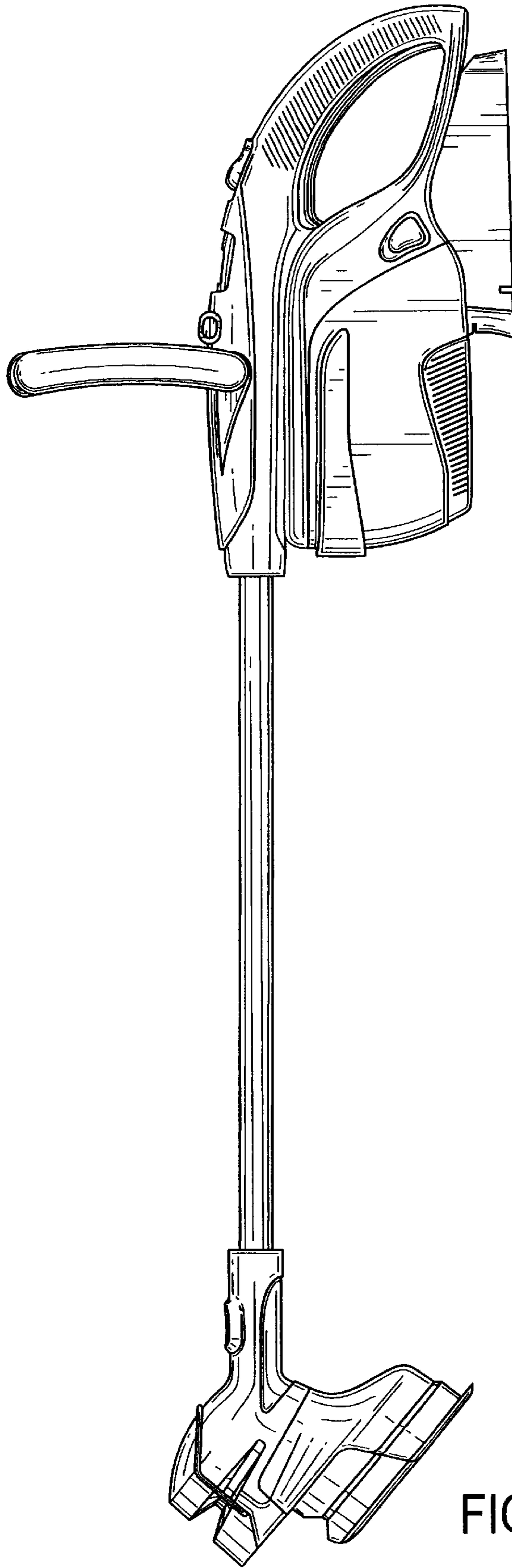


FIG. 3

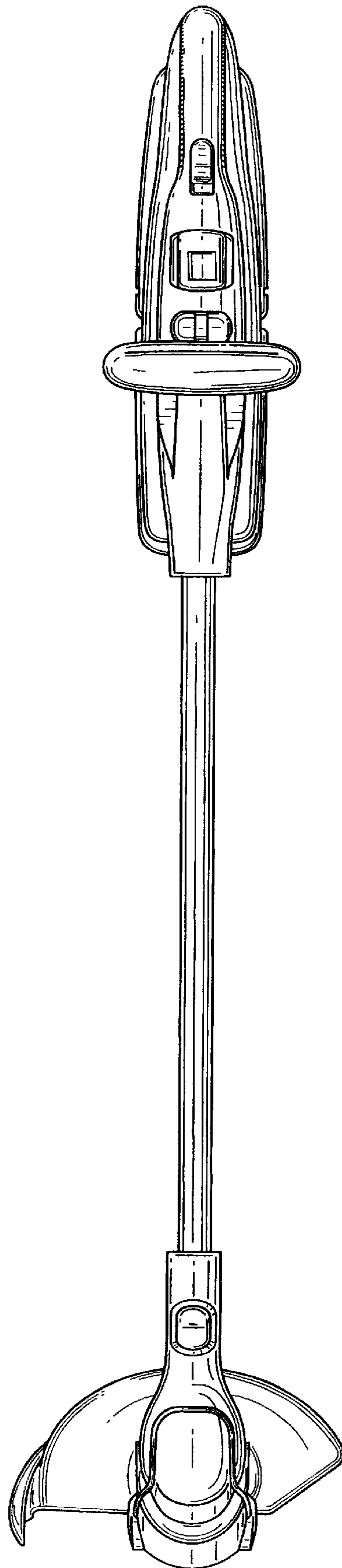


FIG. 4

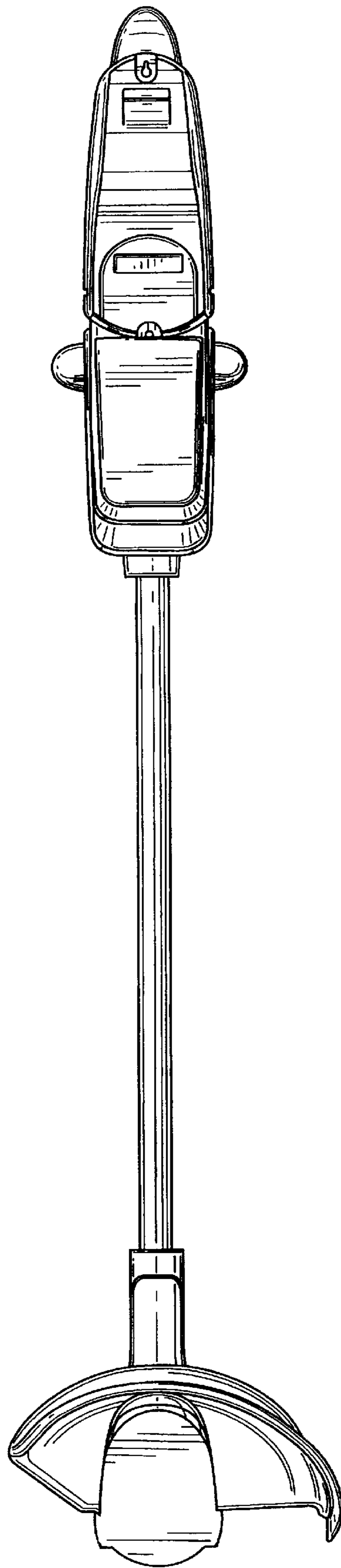


FIG. 5

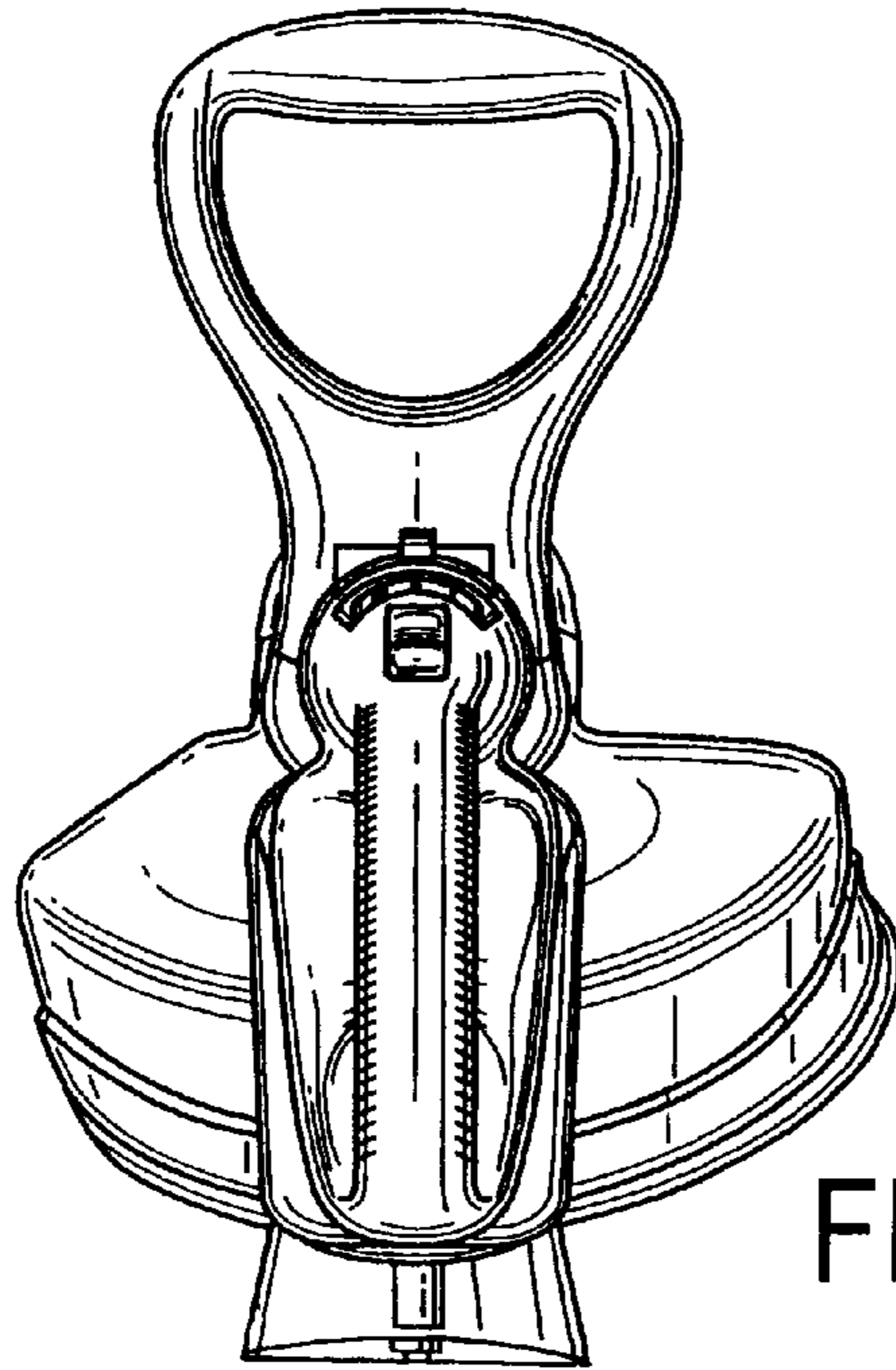


FIG. 6

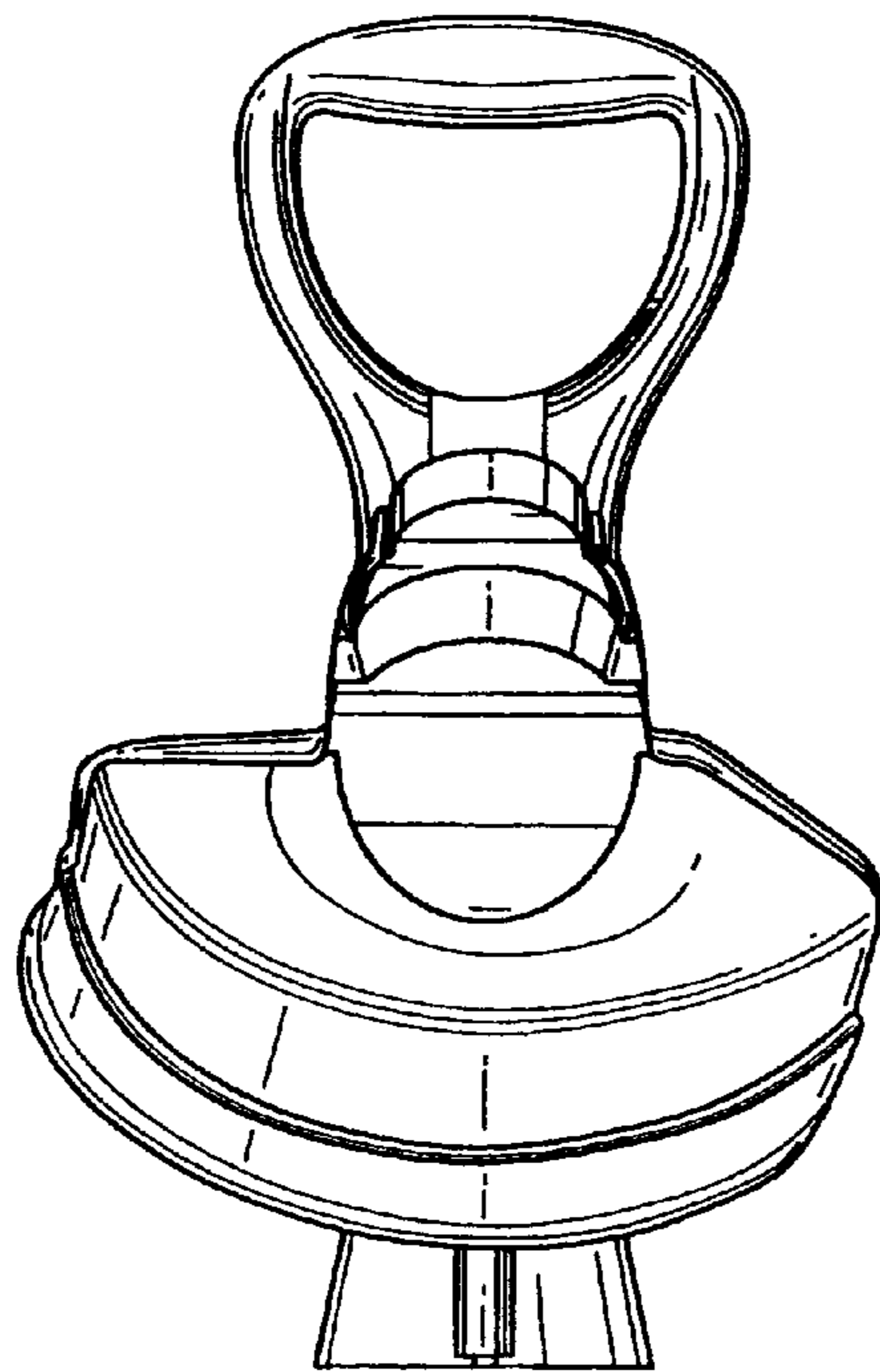


FIG. 7