



US00D414384S

**United States Patent** [19]  
**Schulein**

[11] **Patent Number: Des. 414,384**

[45] **Date of Patent: \*\* Sep. 28, 1999**

[54] **CHOPPER WITH HINGED RECEPTACLE**

D. 378,182 2/1997 Wong ..... D7/693  
D. 380,943 7/1997 Wong ..... D7/693  
3,083,747 4/1963 Zysset ..... 241/272

[75] Inventor: **Rolf Gunter Schulein**, Singhofen,  
Germany

*Primary Examiner*—Terry A. Wallace  
*Attorney, Agent, or Firm*—Frishauf, Holtz, Goodman,  
Langer & Chick, P.C.

[73] Assignee: **Leifheit AG**, Nassau, Germany

[\*\*] Term: **14 Years**

[57] **CLAIM**

[21] Appl. No.: **29/091,096**

The ornamental design for a chopper with hinged receptacle,  
as shown and described.

[22] Filed: **Jul. 22, 1998**

**DESCRIPTION**

[30] **Foreign Application Priority Data**

Feb. 13, 1998 [DE] Germany ..... M 98 01 333

FIG. 1 is a top, front, left side perspective view of a chopper with hinged receptacle showing my new design;  
FIG. 2 is a front elevational view thereof;  
FIG. 3 is a left side elevational view thereof, the right side elevational view being a mirror image thereof;  
FIG. 4 is a rear elevational view thereof;  
FIG. 5 is a top plan view thereof;  
FIG. 6 is a bottom view thereof; and,  
FIG. 7 is an exploded perspective view thereof with the upper portion removed from the lower portion and shown in an open position.

[51] **LOC (6) Cl.** ..... **07-06**

[52] **U.S. Cl.** ..... **D7/693**

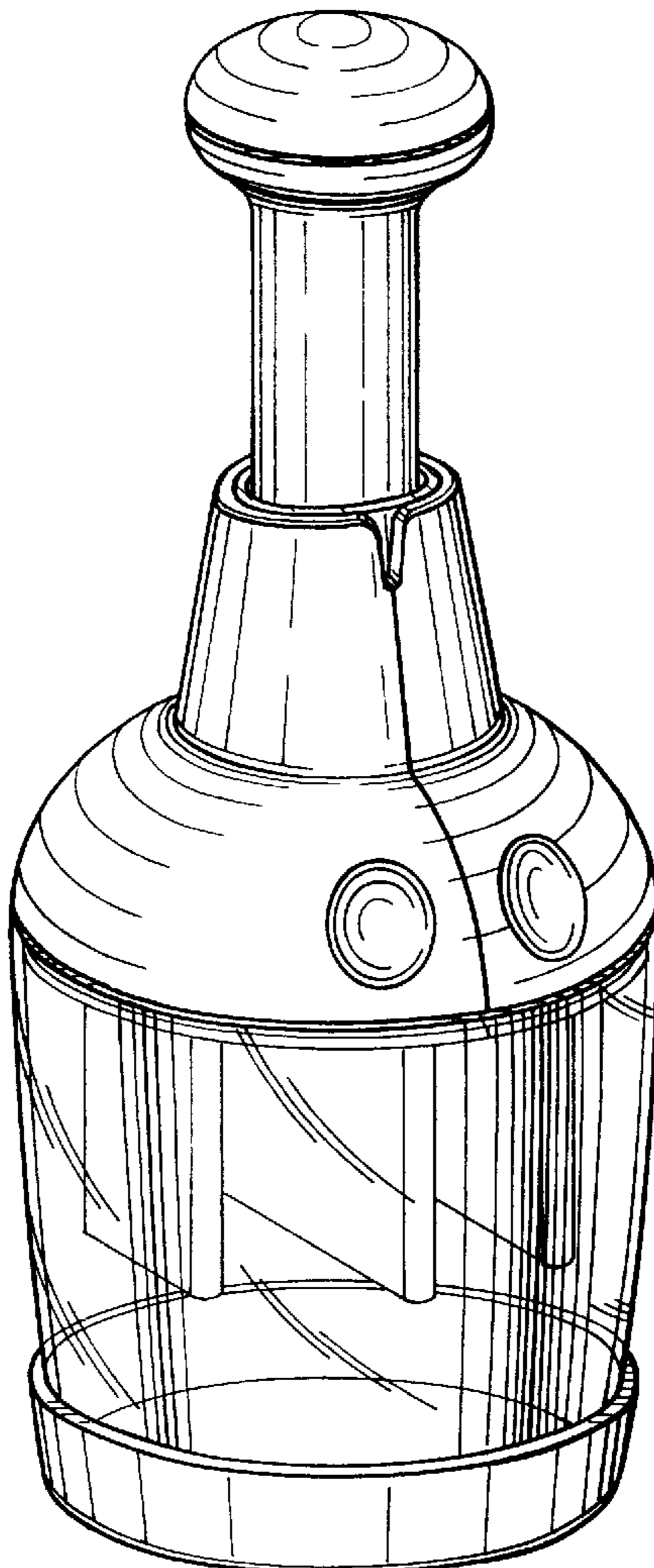
[58] **Field of Search** ..... D7/372, 381, 693,  
D7/669, 412; 99/337, 645; 241/168, 169,  
169.1, 270, 272

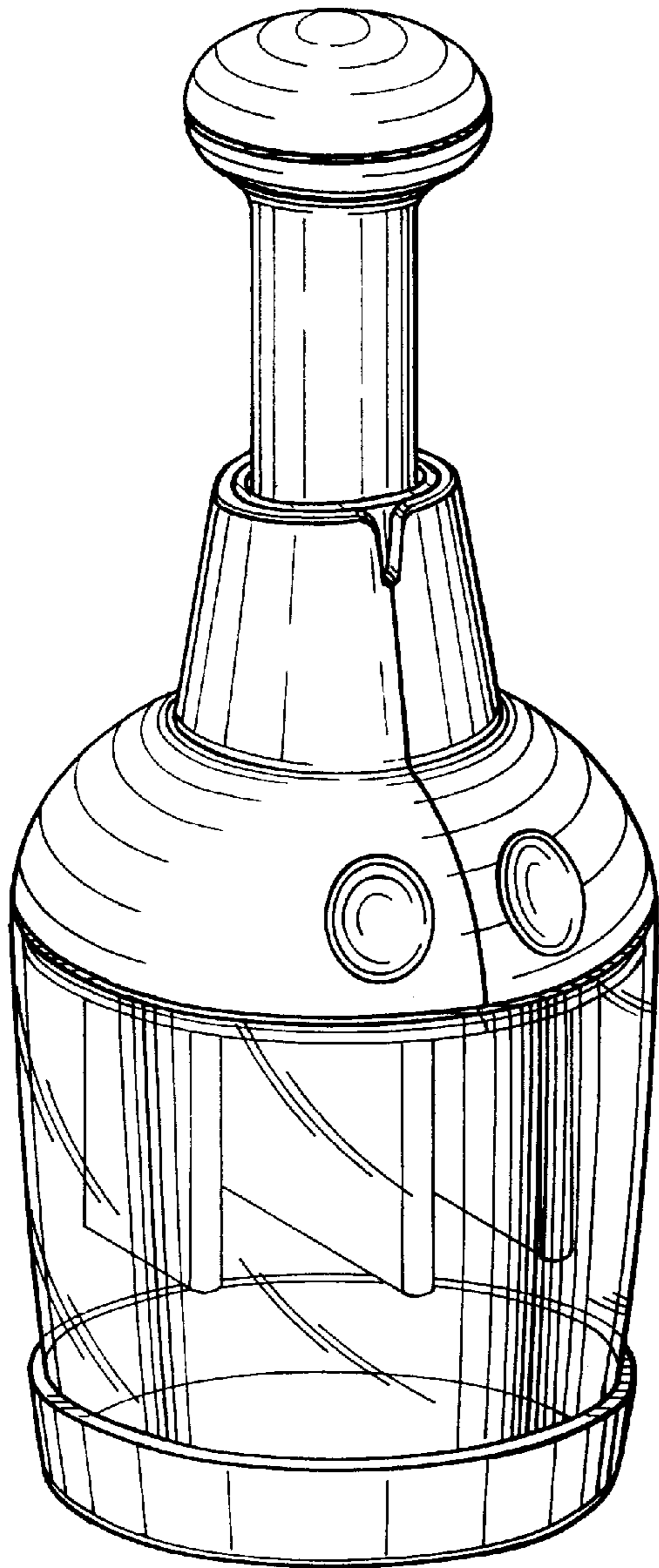
[56] **References Cited**

**U.S. PATENT DOCUMENTS**

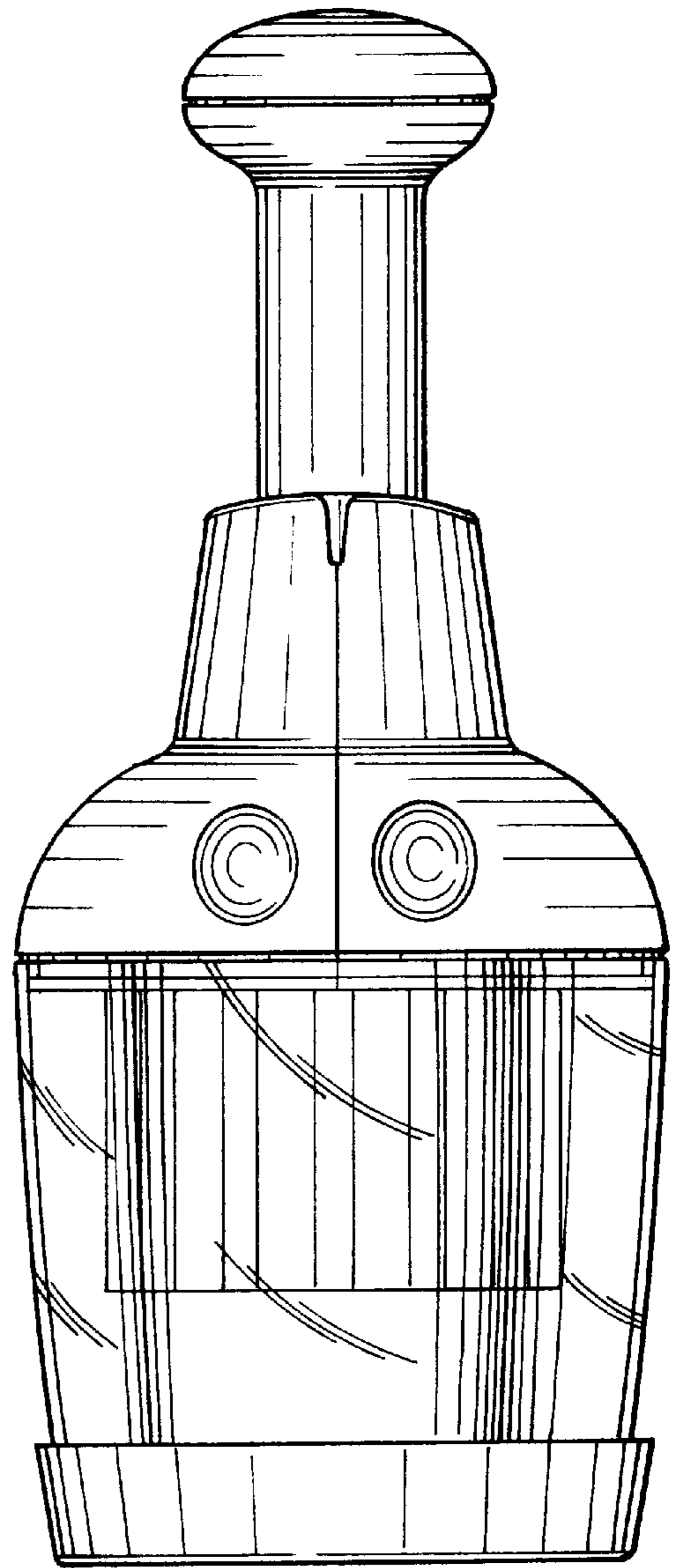
D. 244,416 5/1977 Zysset ..... D7/693

**1 Claim, 3 Drawing Sheets**

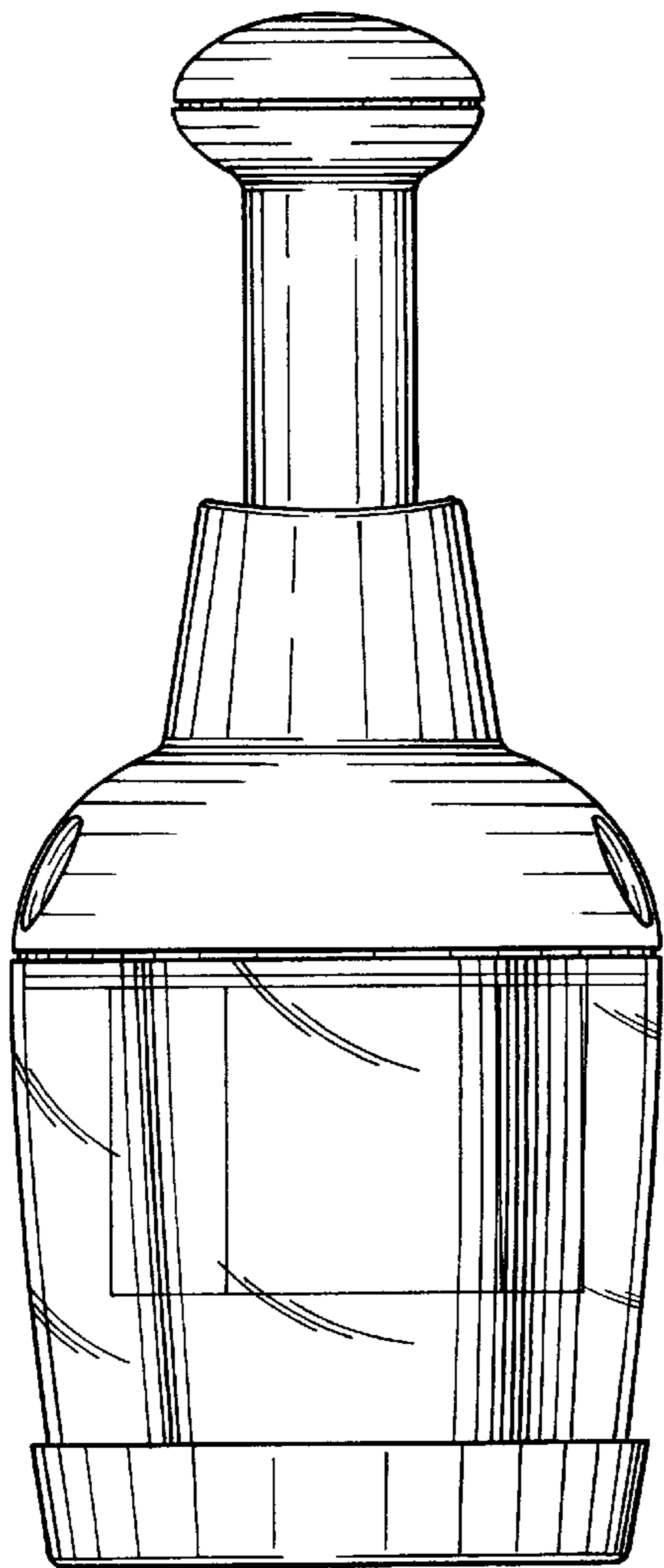




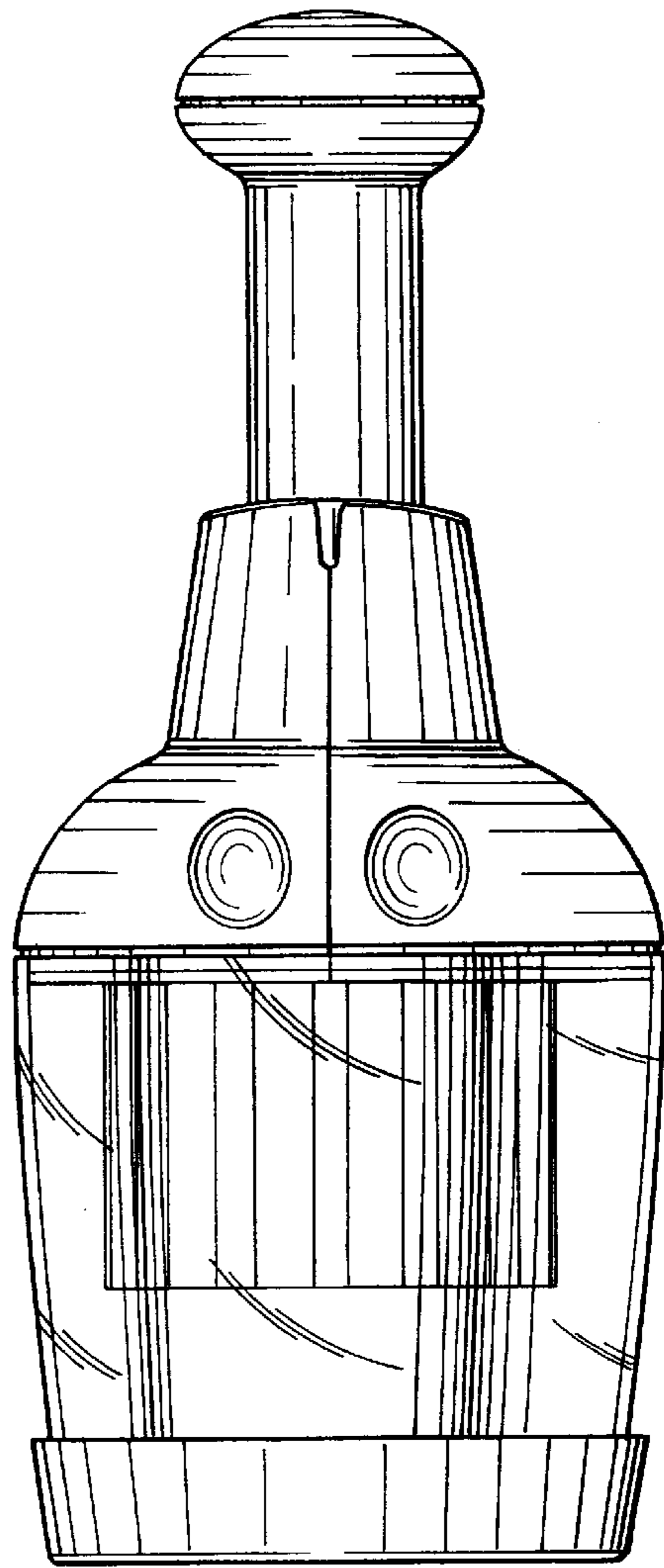
*Fig. 1*



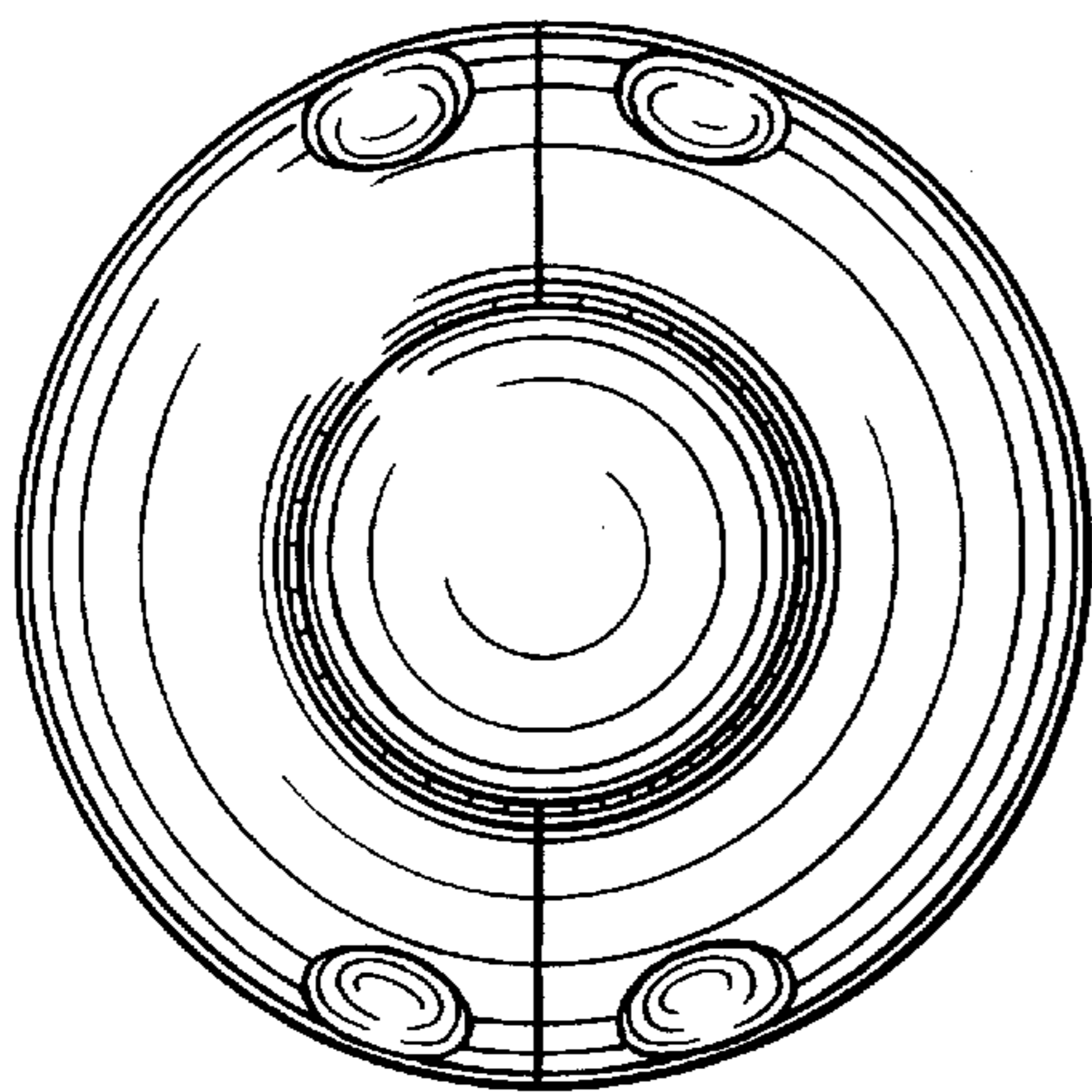
*Fig. 2*



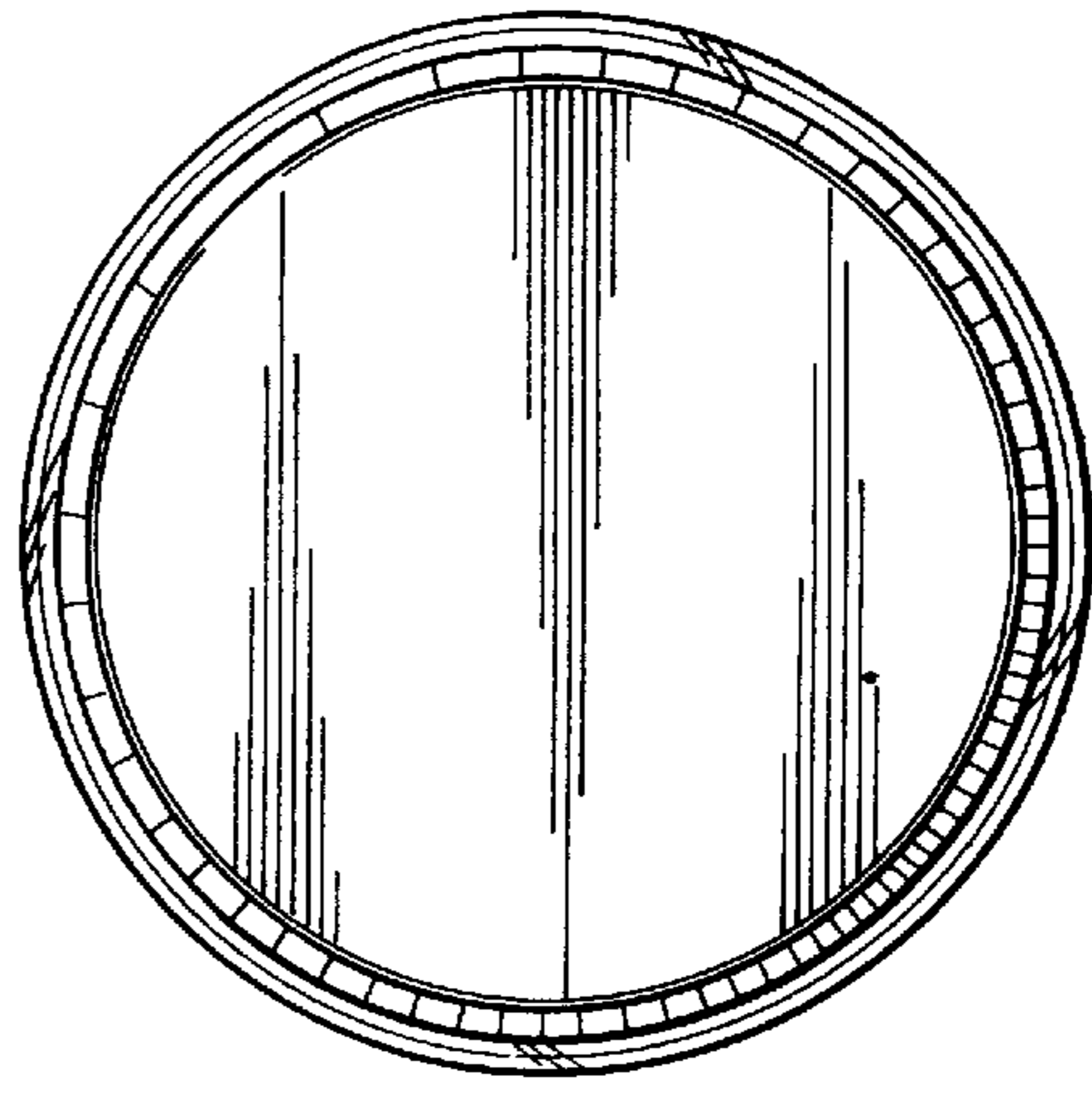
*Fig. 3*



*Fig. 4*

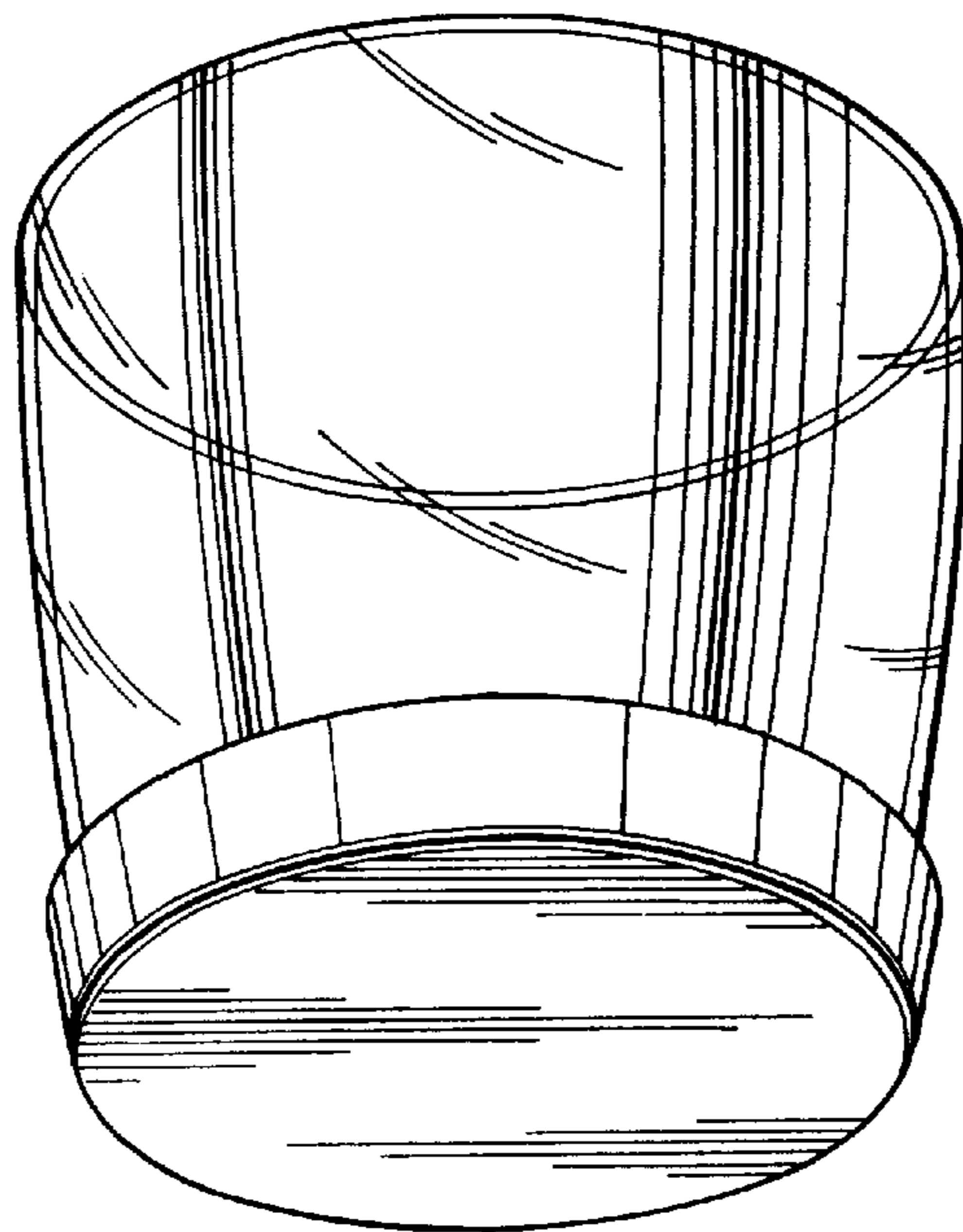
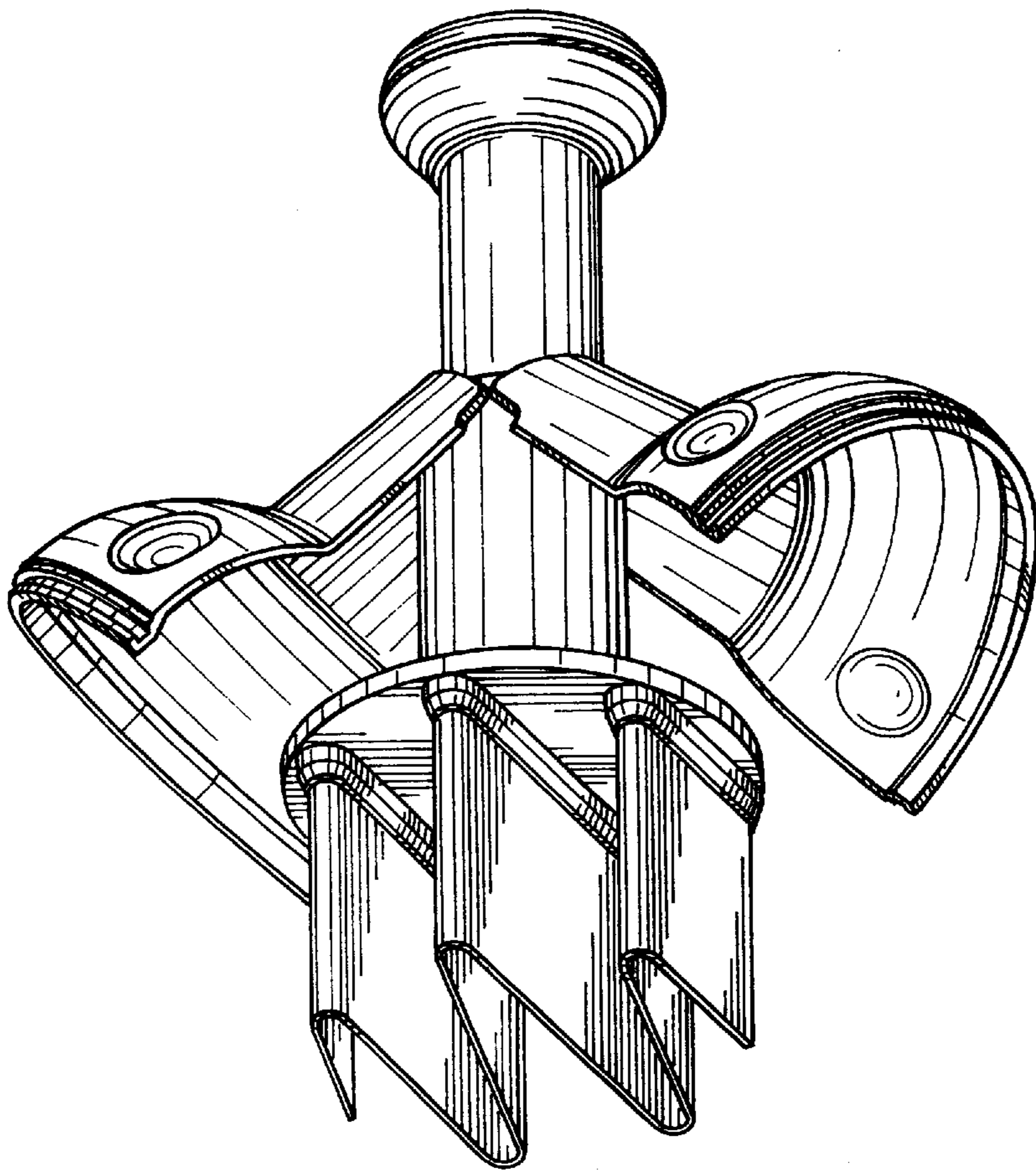


*Fig. 5*



*Fig. 6*





*Fig. 7*