



US00D414383S

United States Patent [19]

Fitzgibbons et al.

[11] **Patent Number: Des. 414,383**

[45] **Date of Patent: ** Sep. 28, 1999**

[54] **DISPENSER FOR INSERTING FLAVORING SUBSTANCE INTO FOOD**

D. 375,875 11/1996 Hutzler et al. D7/669
4,254,700 3/1981 Fleming 99/532

[75] Inventors: **James F. Fitzgibbons**, Bantam;
Christopher Young, South Kent, both
of Conn.

Primary Examiner—Terry A. Wallace
Attorney, Agent, or Firm—Dallett Hoopes

[73] Assignee: **Innovative Injectors Incorporated**,
New Milford, Conn.

[57] **CLAIM**

We claim the ornamental design for a dispenser for inserting
flavoring substance into food, as shown.

[**] Term: **14 Years**

DESCRIPTION

[21] Appl. No.: **29/090,645**

FIG. 1 is a perspective view of a dispenser showing our new
design;

[22] Filed: **Jul. 13, 1998**

FIG. 2 is a front elevational view;

[51] **LOC (6) Cl.** **07-04**

[52] **U.S. Cl.** **D7/669**

FIG. 3 is a top plan view;

[58] **Field of Search** D7/669; 99/345,
99/346, 532, 494

FIG. 4 is a right side elevational view;

FIG. 5 is a left side elevational view;

FIG. 6 is a rear elevational view; and,

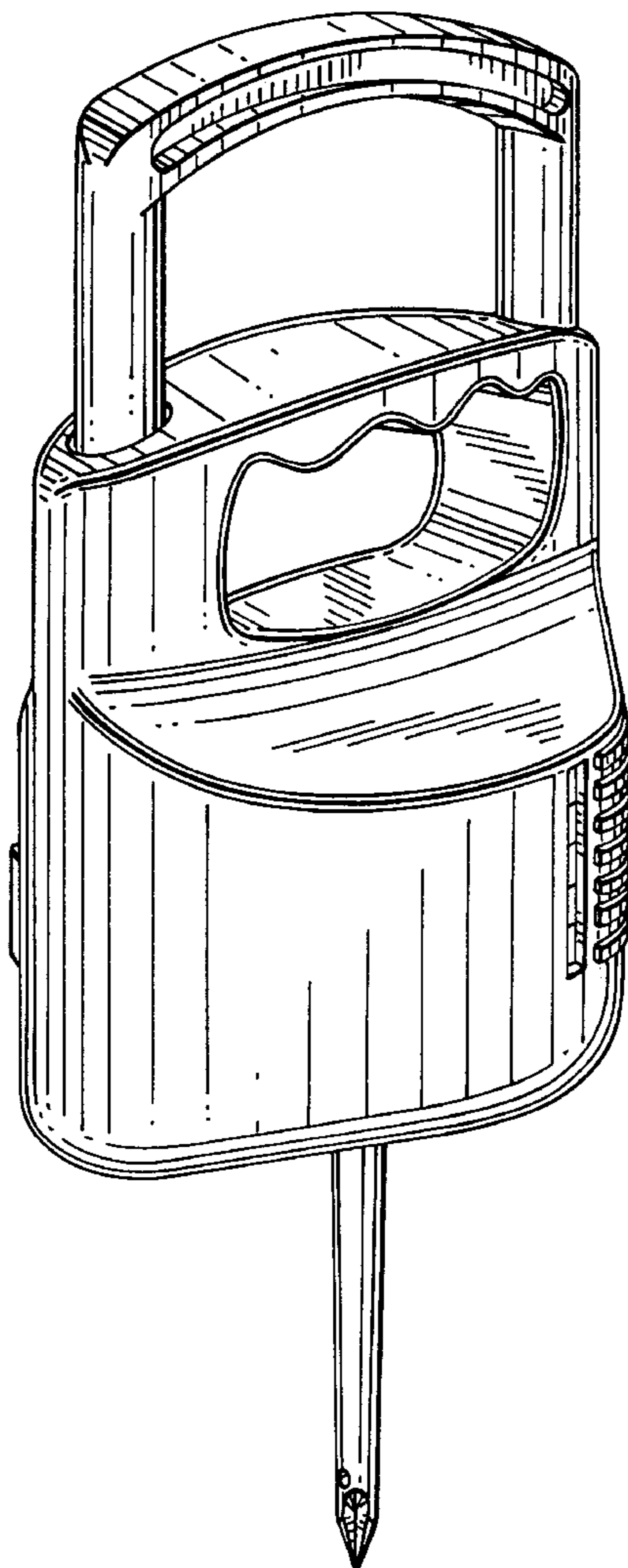
FIG. 7 is a bottom plan view.

[56] **References Cited**

U.S. PATENT DOCUMENTS

D. 263,271 3/1982 Kalb D7/669

1 Claim, 6 Drawing Sheets



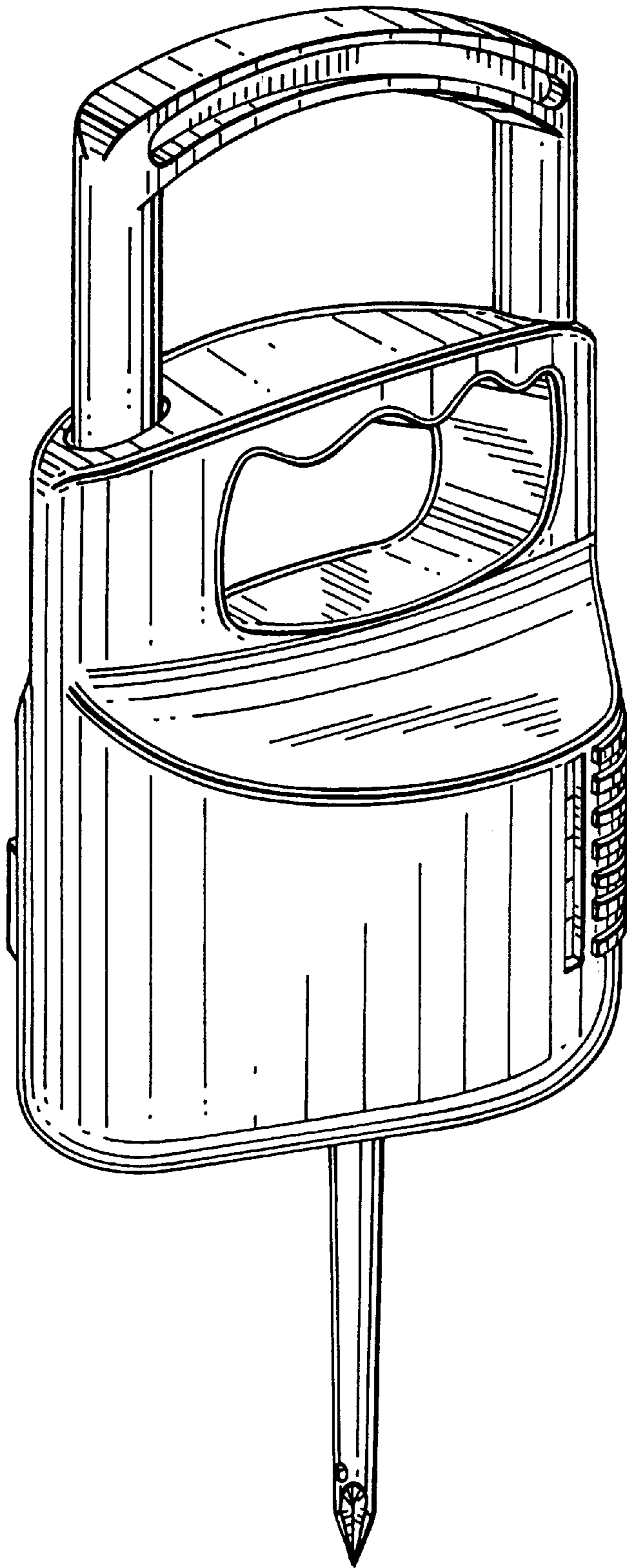


FIG. 1

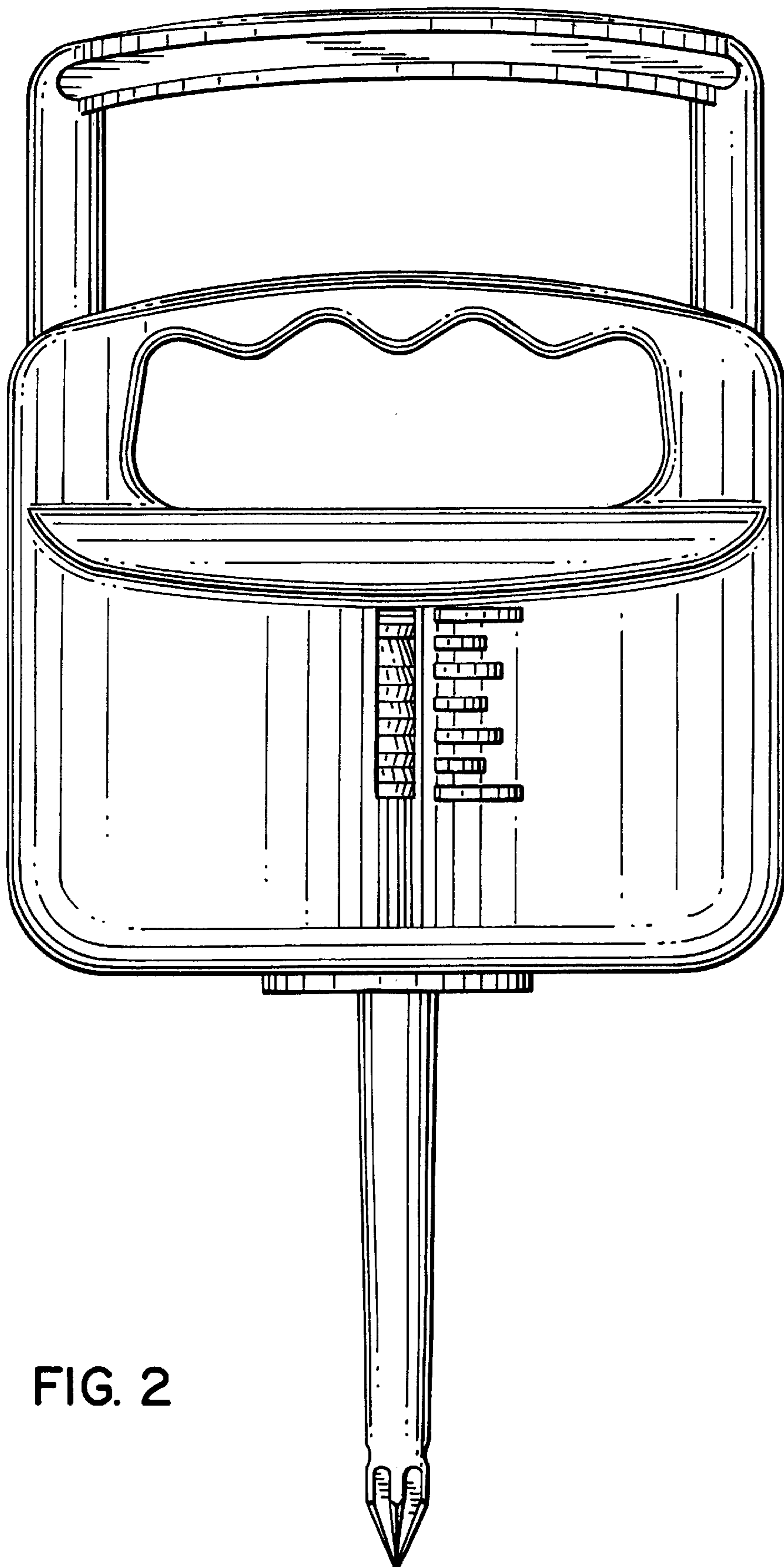


FIG. 2

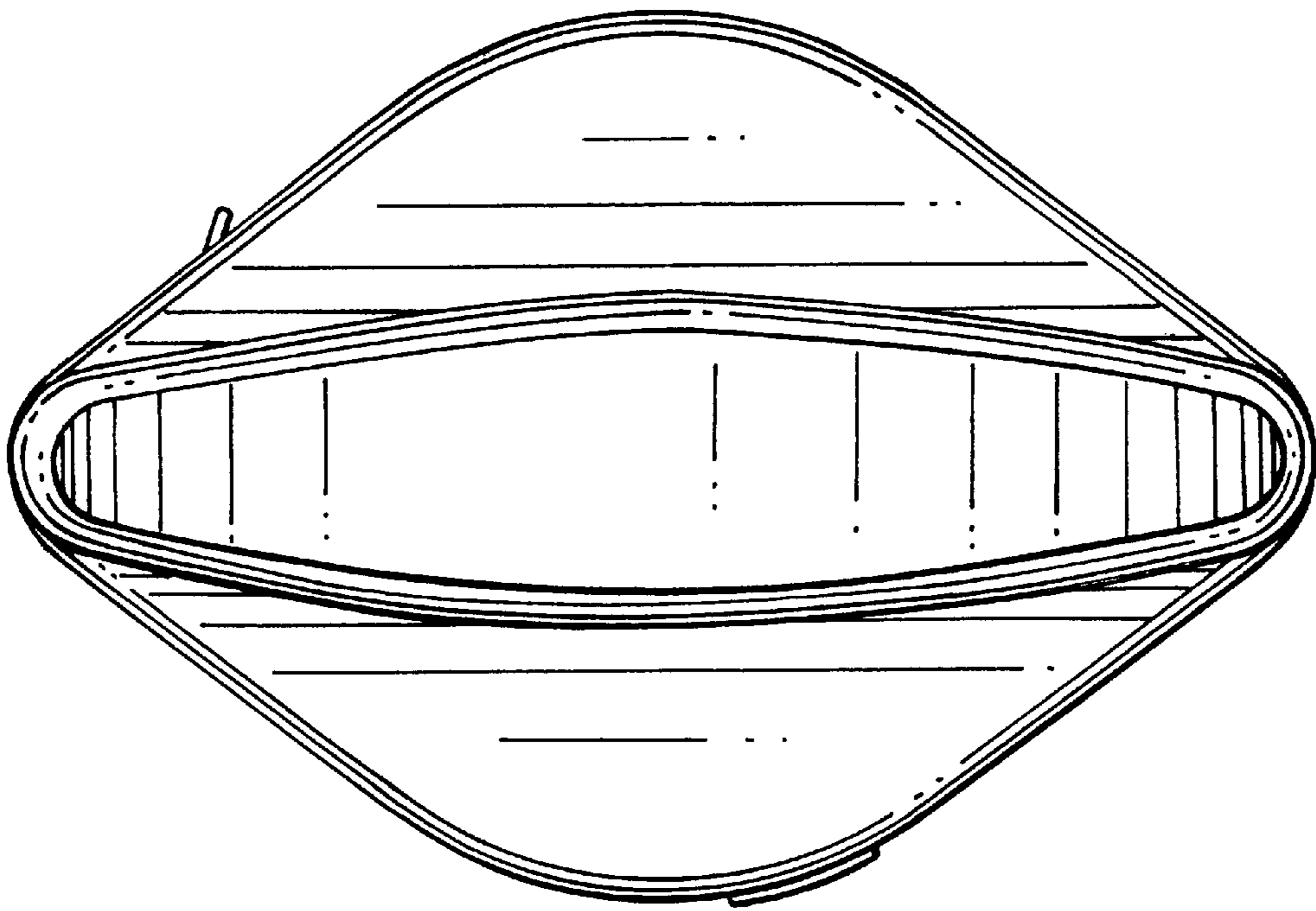


FIG. 3

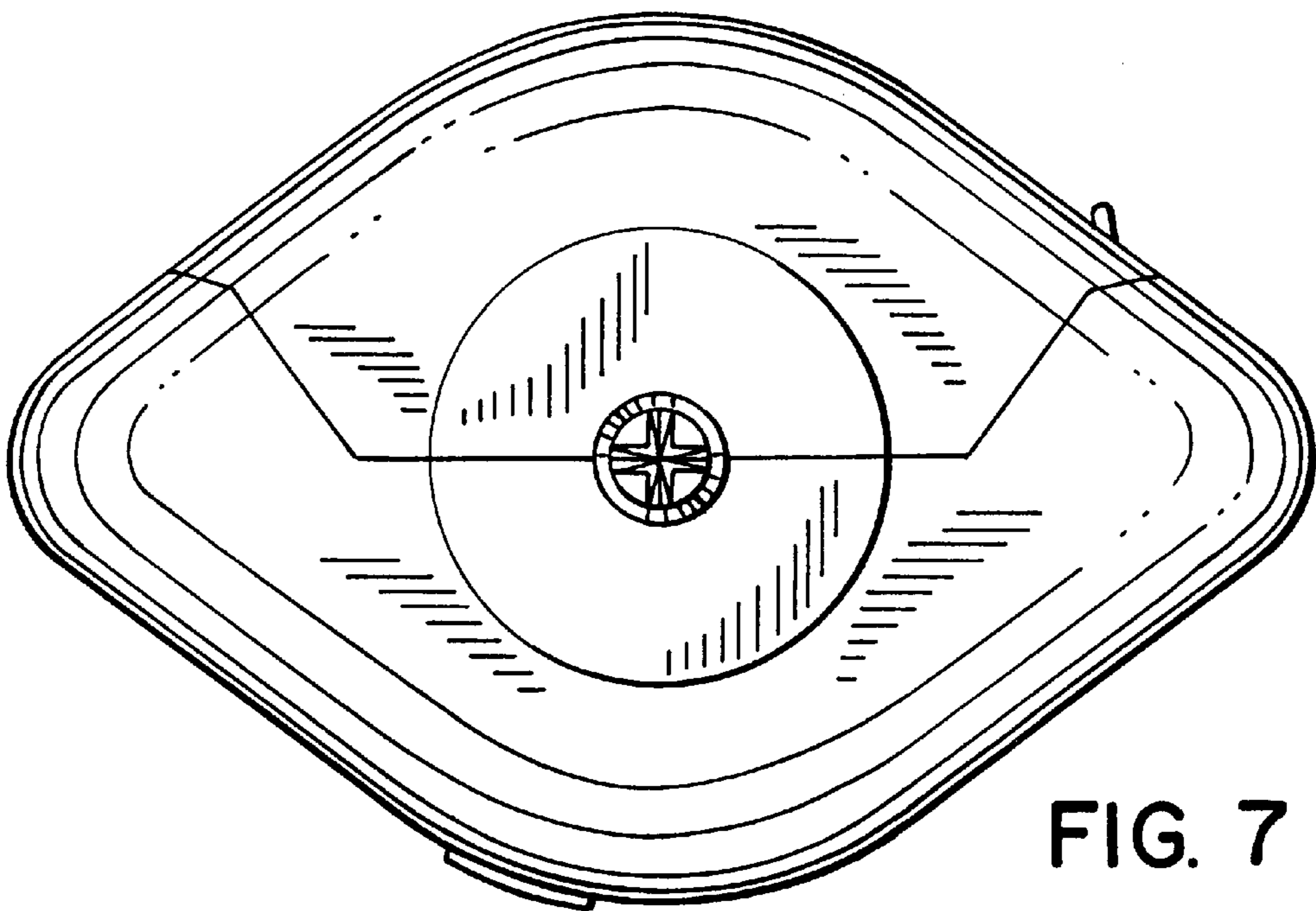


FIG. 7

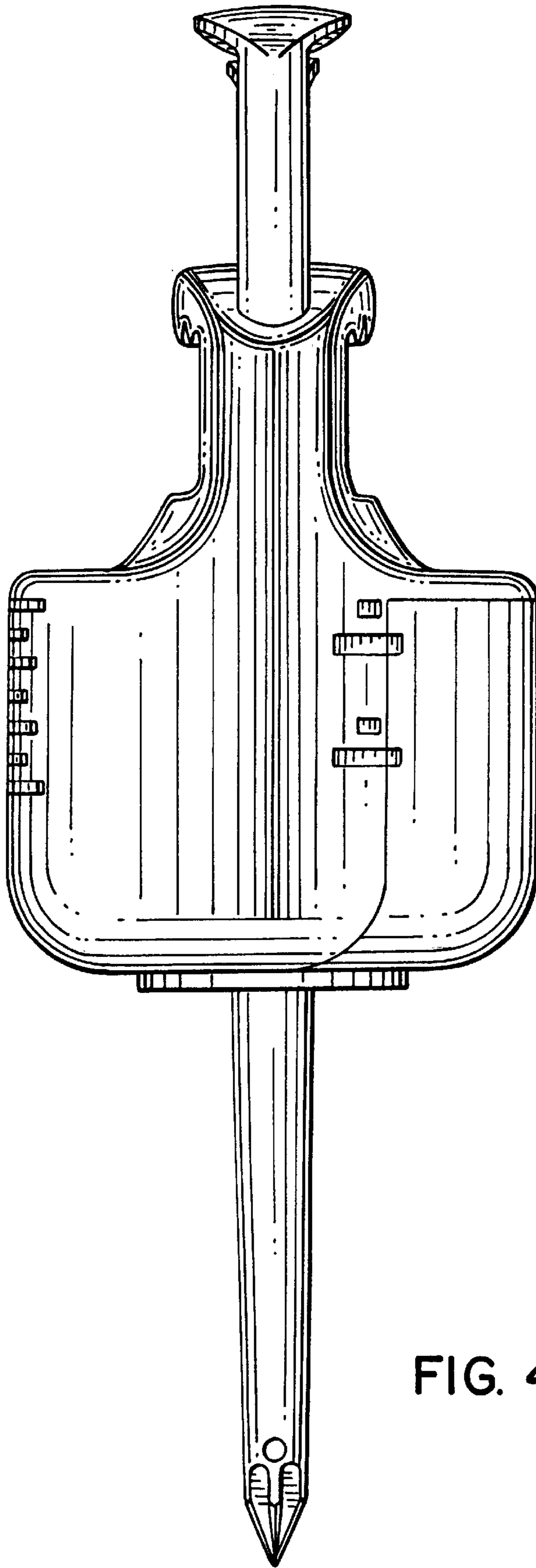


FIG. 4

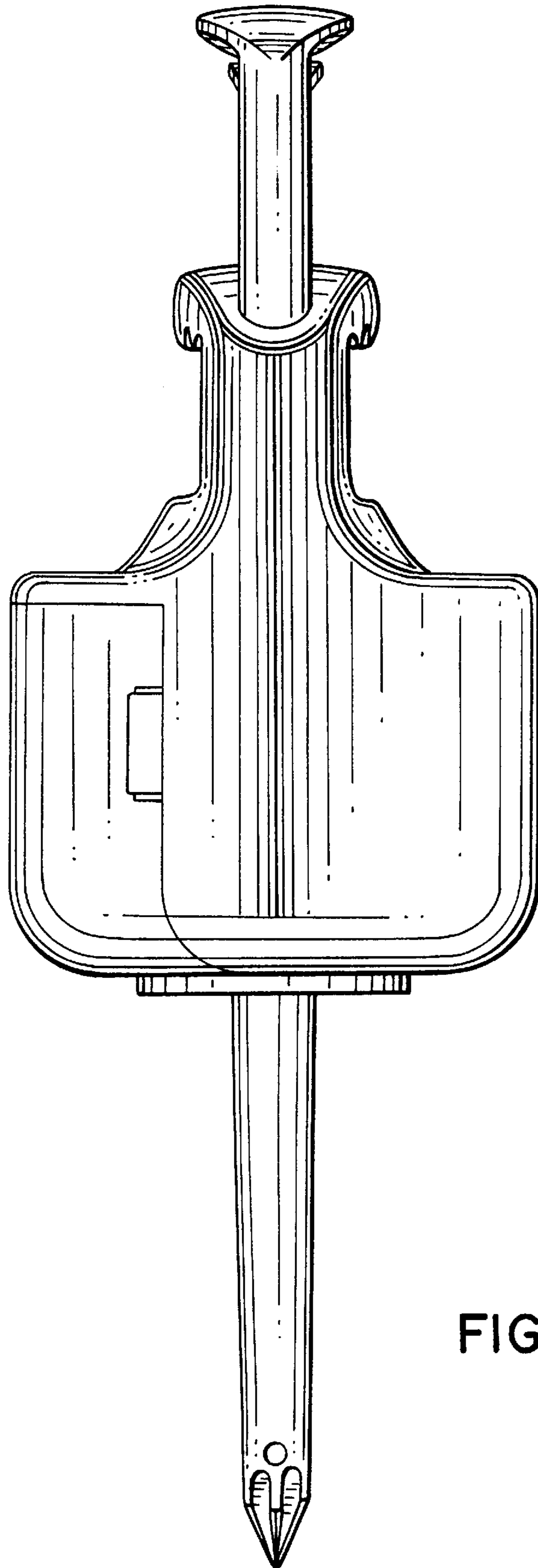


FIG. 5

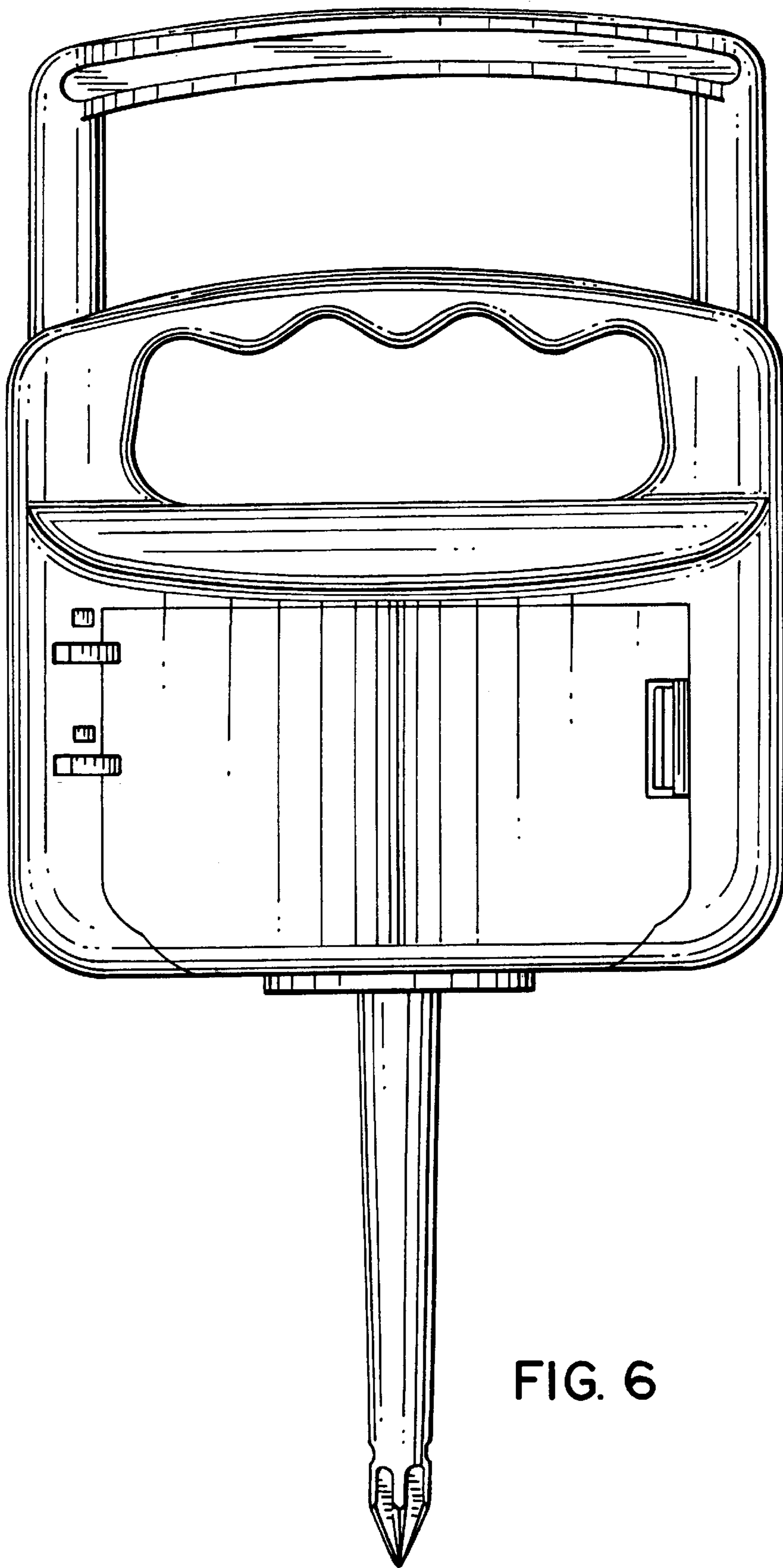


FIG. 6