



US00D414382S

United States Patent [19]
Crane et al.

[11] **Patent Number: Des. 414,382**

[45] **Date of Patent: ** Sep. 28, 1999**

[54] **DECORATIVE SPOON**

2,859,515 11/1958 Kinman 30/141
5,038,476 8/1991 McCrea 30/141

[75] Inventors: **John A. Crane; Cyril Crane**, both of Downers Grove, Ill.

Primary Examiner—Caron D. Veynar
Attorney, Agent, or Firm—Knechtel, Demeur & Samlan

[73] Assignee: **JAC Investments, Inc.**, Elk Grove Village, Ill.

[57] **CLAIM**

[**] Term: **14 Years**

The ornamental design for a decorative spoon, as shown and described.

[21] Appl. No.: **29/089,432**

DESCRIPTION

[22] Filed: **Jun. 15, 1998**

FIG. 1 is a perspective view for a decorative spoon showing our new design thereof;

[51] **LOC (6) Cl.** **07-03**

FIG. 2 is a top plan view thereof;

[52] **U.S. Cl.** **D7/643; D7/653**

FIG. 3 is a bottom plan view thereof;

[58] **Field of Search** D7/642, 645, 643,
D7/653, 662-664; 30/141, 147-150, 322,
324

FIG. 4 is a front end view thereof;

FIG. 5 is a rear end view thereof; and,

FIG. 6 is a right side elevational view, the left side elevational view is a mirror image thereof.

The broken line showing of a spoon attachment is for illustrative purposes only and forms no part of the claimed design.

[56] **References Cited**

U.S. PATENT DOCUMENTS

- D. 240,790 8/1976 Daenen D7/653
- D. 259,533 6/1981 Frodsham D7/300.2
- D. 371,282 7/1996 Ronick D7/653

1 Claim, 1 Drawing Sheet

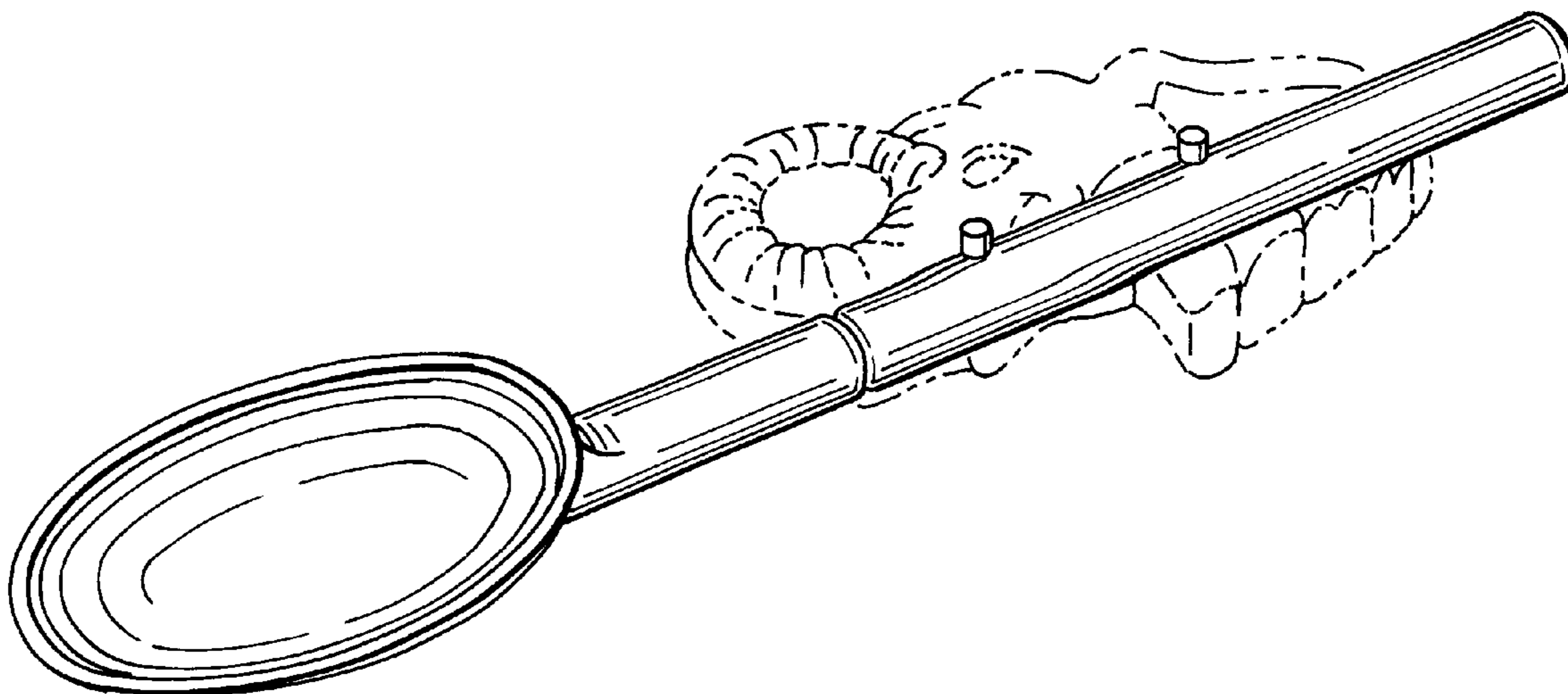


FIG.1

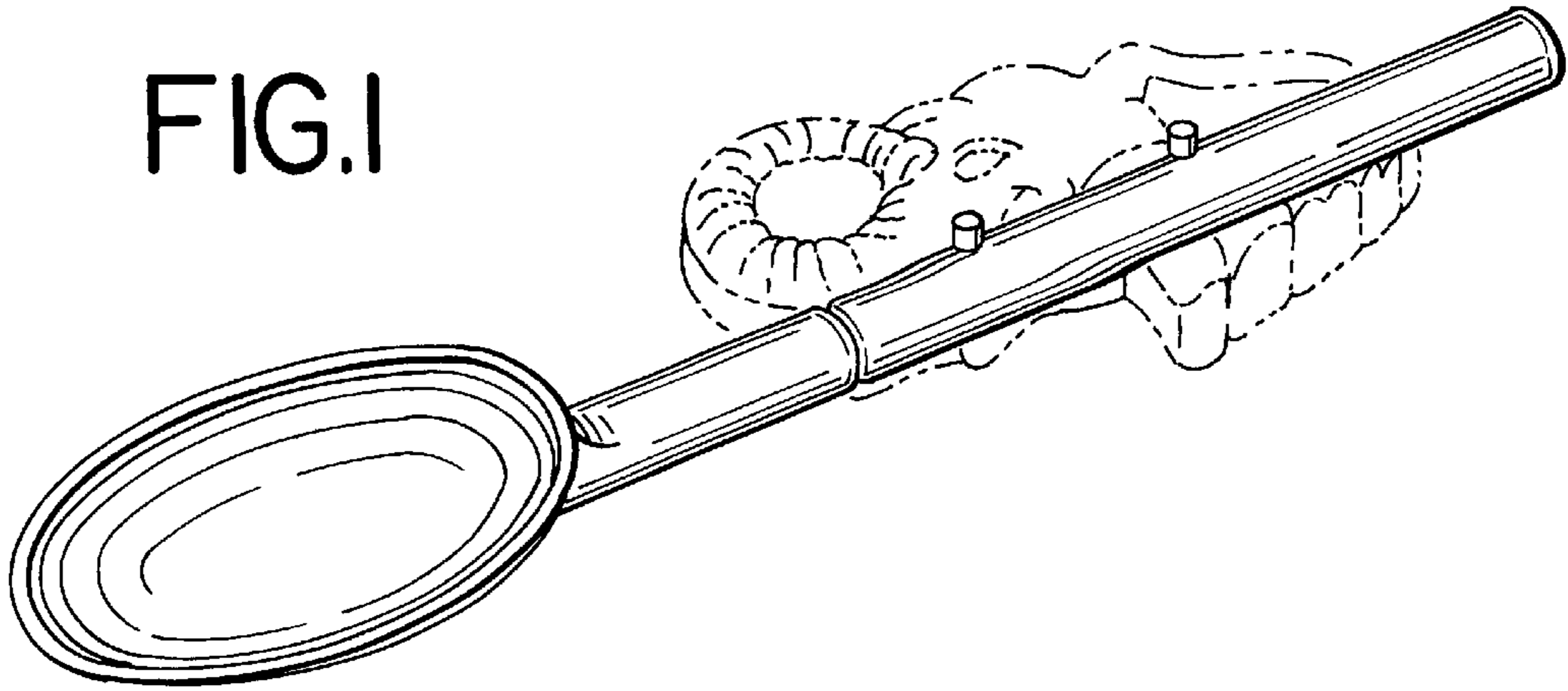


FIG.2

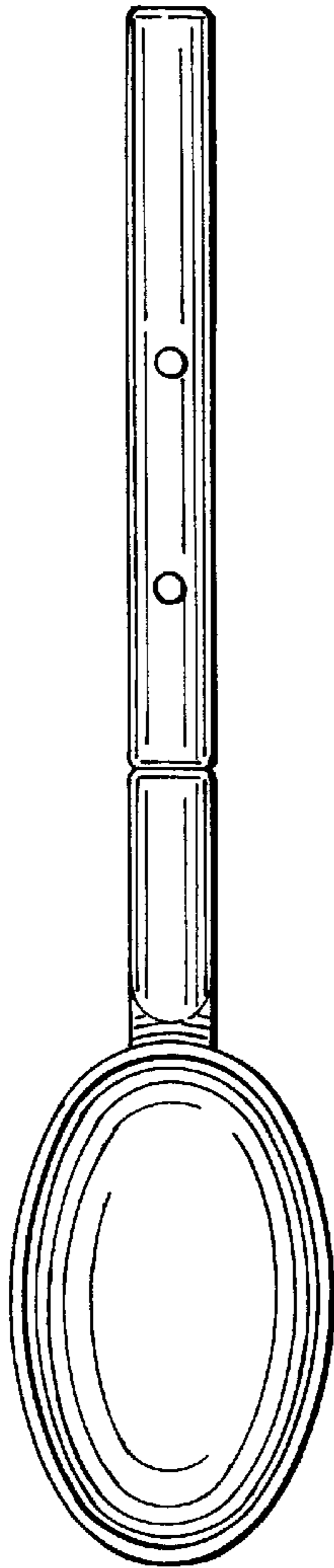


FIG.3

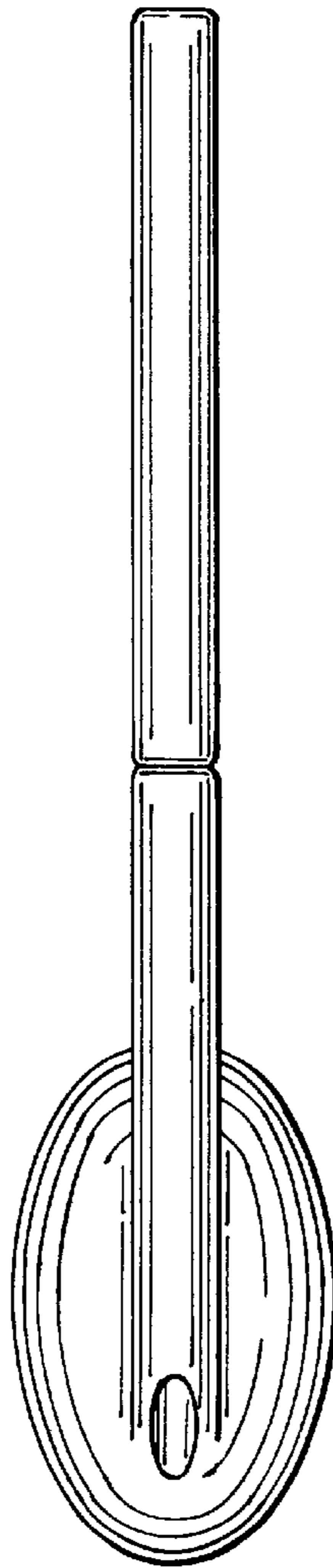


FIG.4

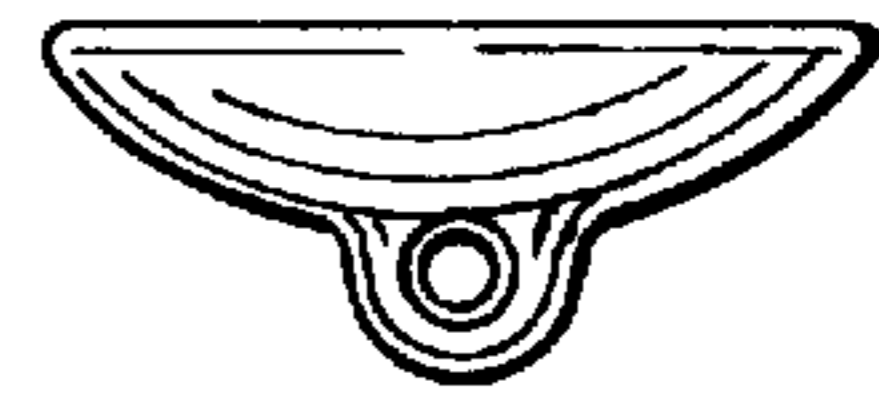


FIG.5

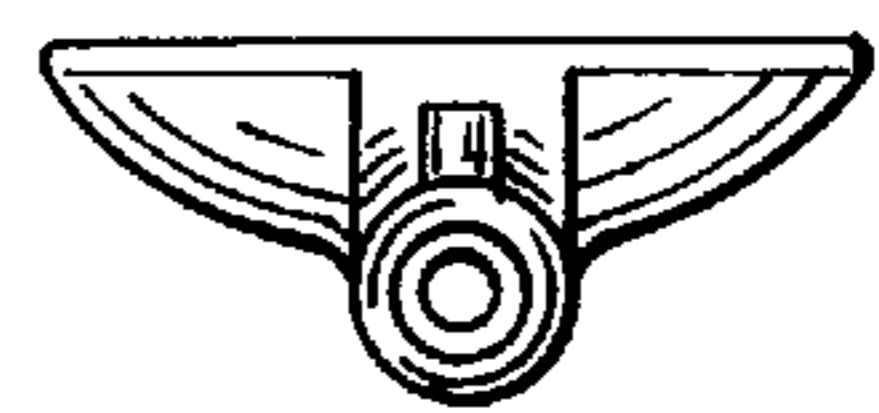


FIG.6

