



US00D414381S

United States Patent [19]
Schmidt

[11] **Patent Number: Des. 414,381**

[45] **Date of Patent: ** Sep. 28, 1999**

[54] **VACUUM SEALED CANISTER SET**

[75] Inventor: **George Schmidt**, Douglaston, N.Y.

[73] Assignee: **M. Kamenstein, Inc.**, Elmsford, N.Y.

[**] Term: **14 Years**

[21] Appl. No.: **29/085,189**

[22] Filed: **Mar. 17, 1998**

[51] **LOC (6) Cl.** **09-02**

[52] **U.S. Cl.** **D7/612**

[58] **Field of Search** D7/612-615, 629;
220/780, 793, 315, 660, 662, 677

[56] **References Cited**

U.S. PATENT DOCUMENTS

- D. 234,568 3/1975 Swett D7/629
- D. 286,730 11/1986 Tzifkansky et al. D7/629 X
- D. 332,895 2/1993 Salzmann D7/629 X

Primary Examiner—Mitchell I Siegel

Attorney, Agent, or Firm—Robert A. Koons, Jr.; James W. Bolcsak

[57] **CLAIM**

The ornamental design for a vacuum sealed canister set, as shown and described.

DESCRIPTION

FIG. 1 is a perspective view of a vacuum sealed canister set showing my new design;

FIG. 2 is a front elevational view of the vacuum sealed canister set;

FIG. 3 is a rear elevational view of the vacuum sealed canister set;

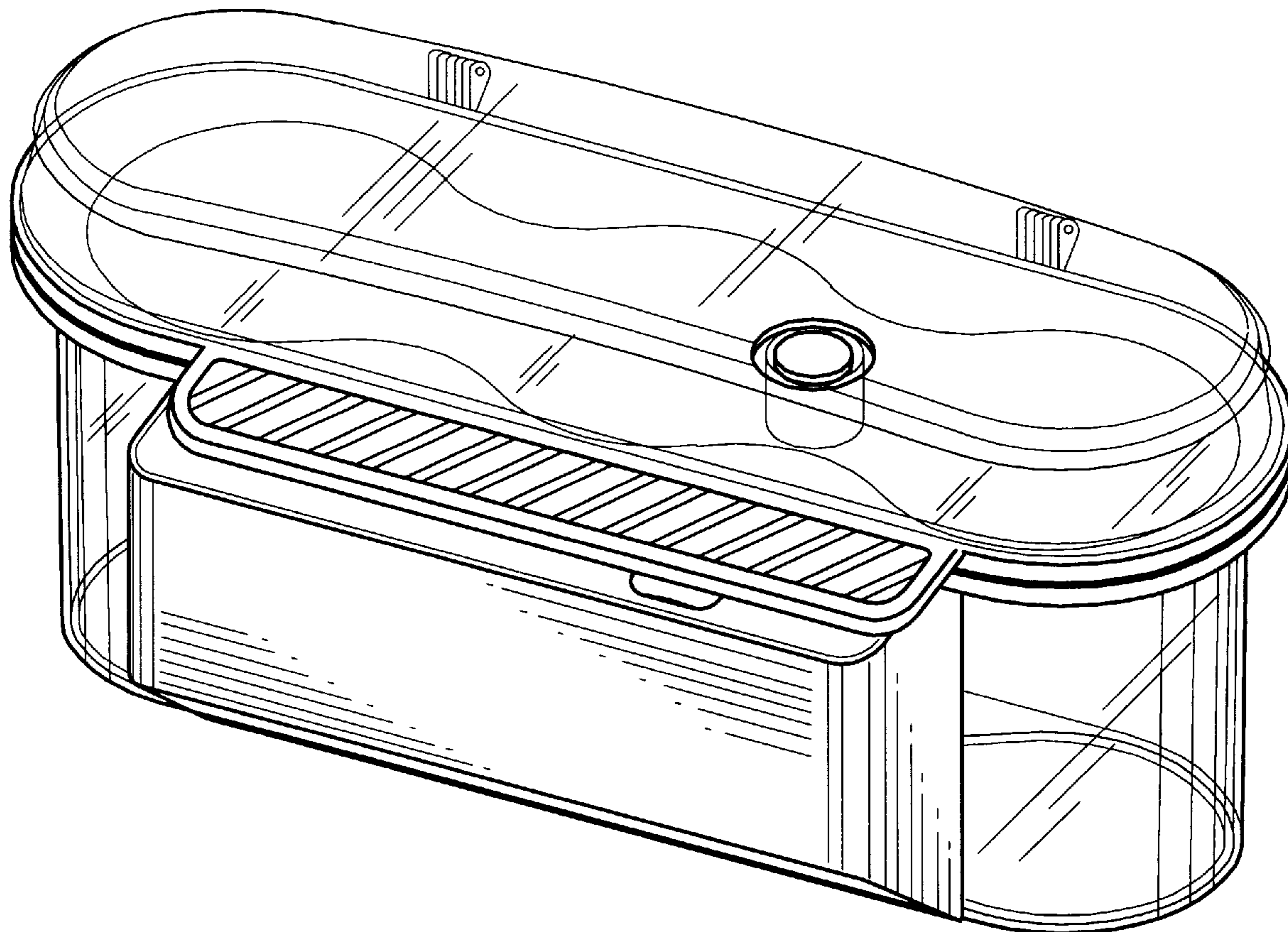
FIG. 4 is a top plan view of the vacuum sealed canister set;

FIG. 5 is a right side elevational view of the vacuum sealed canister set;

FIG. 6 is a left side elevational view of the vacuum sealed canister set; and,

FIG. 7 is a bottom plan view of the vacuum sealed canister set.

1 Claim, 7 Drawing Sheets



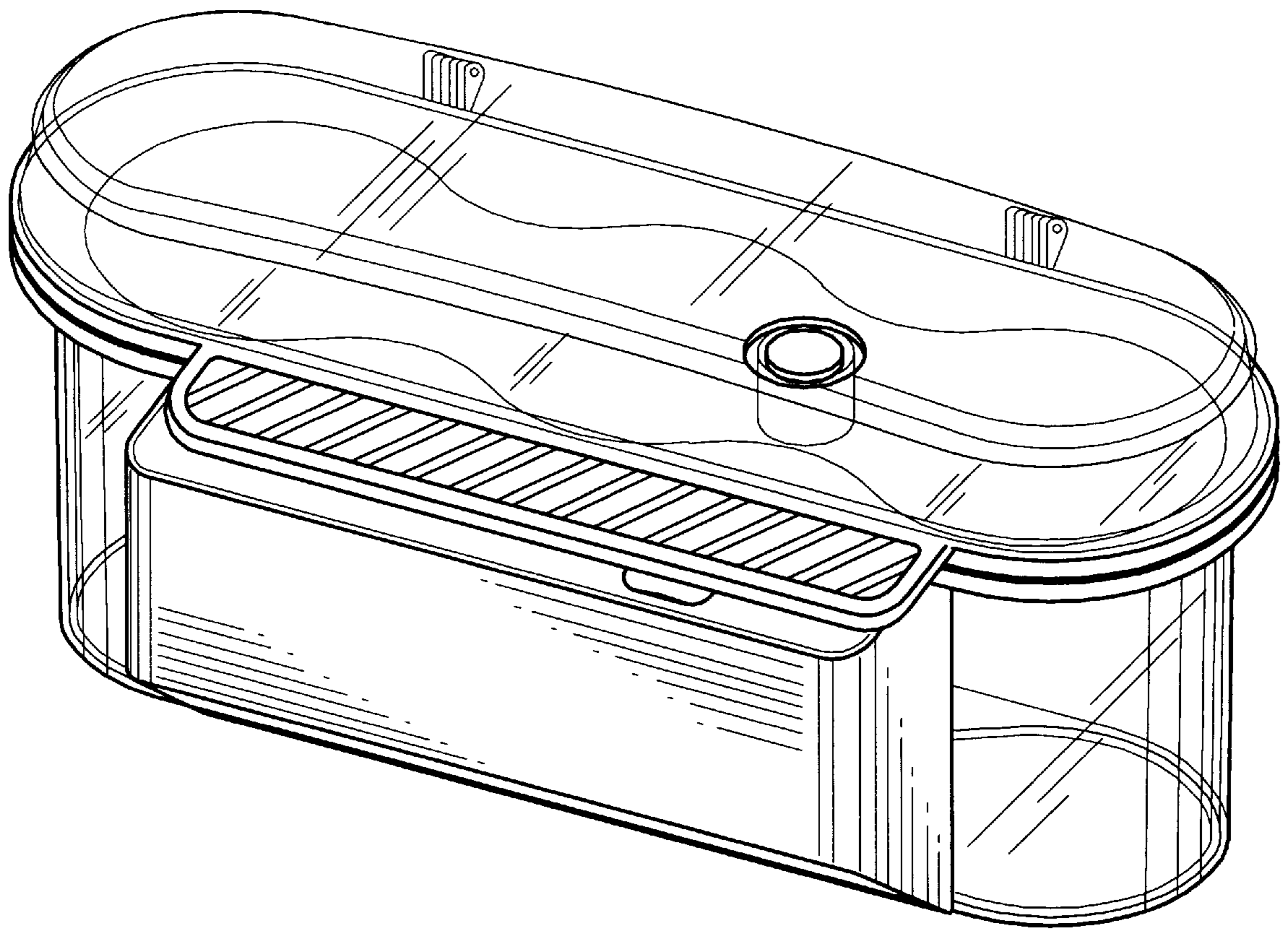


Fig. 1

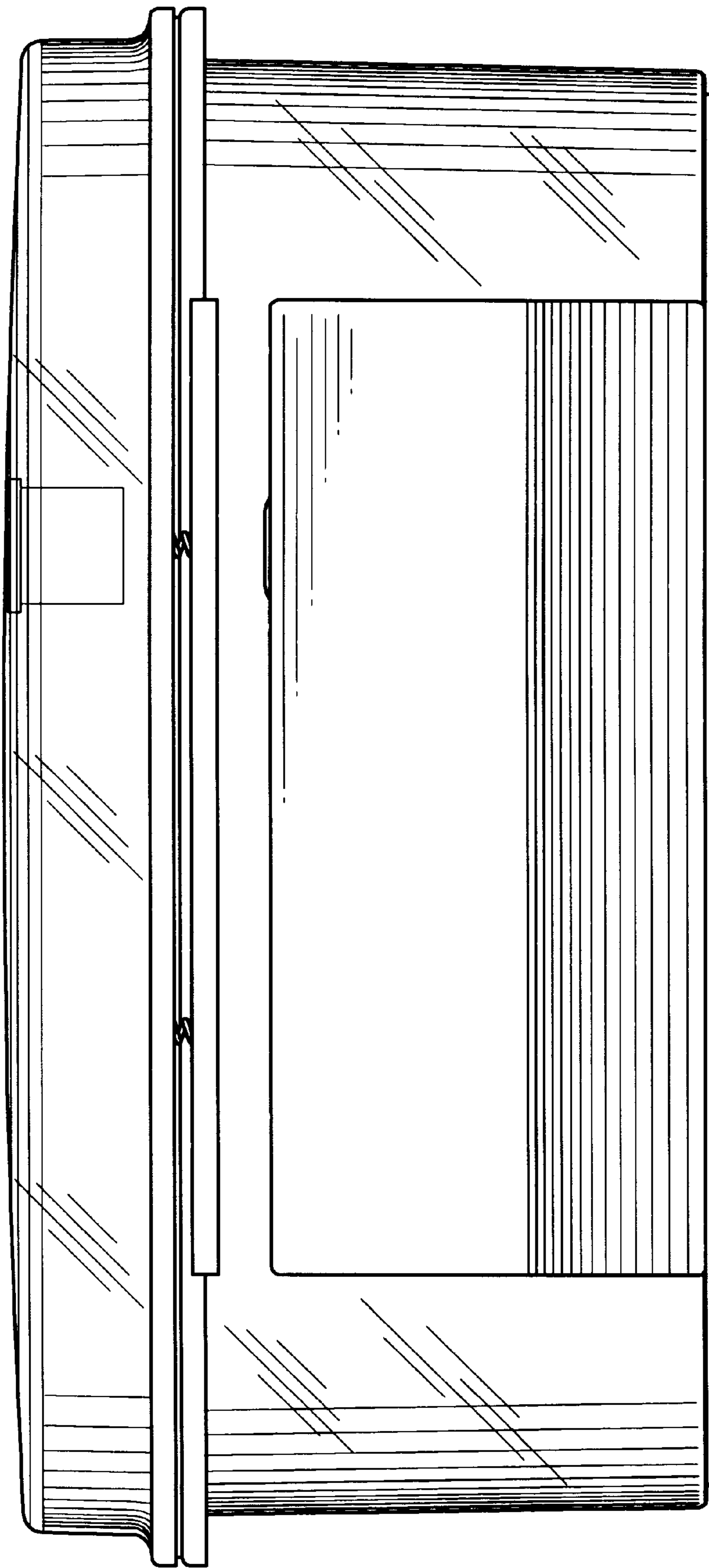


Fig. 2

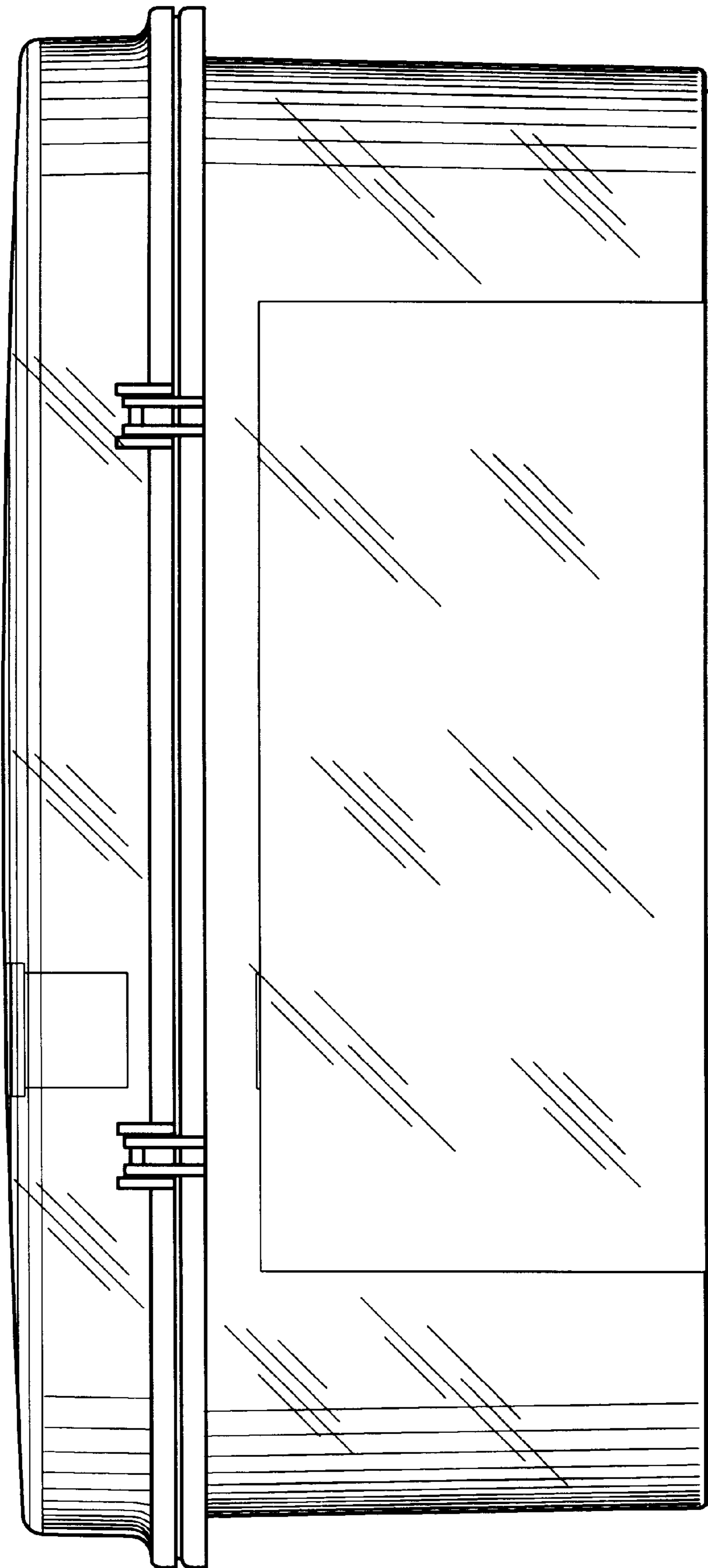


Fig. 3

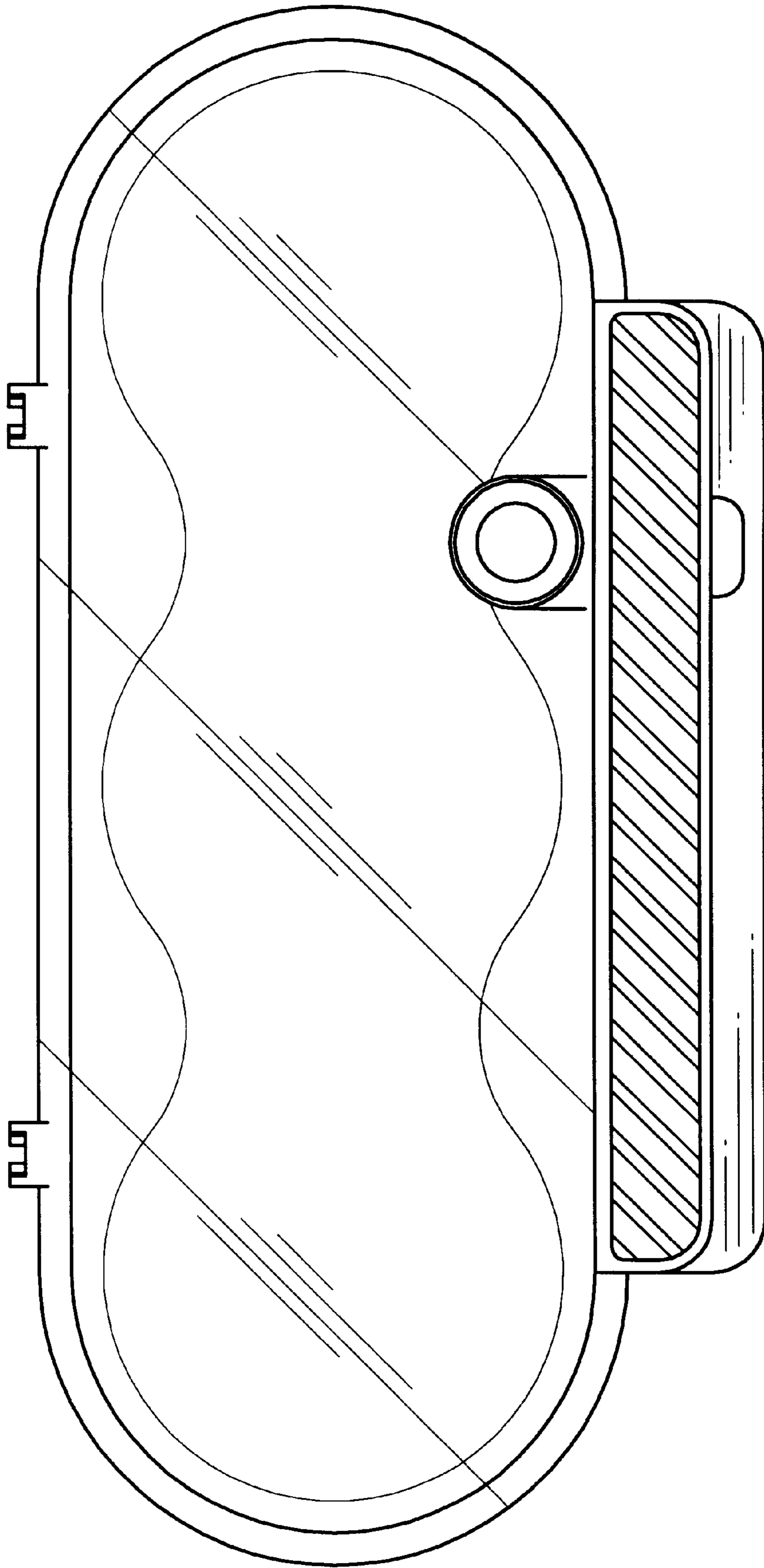


Fig. 4

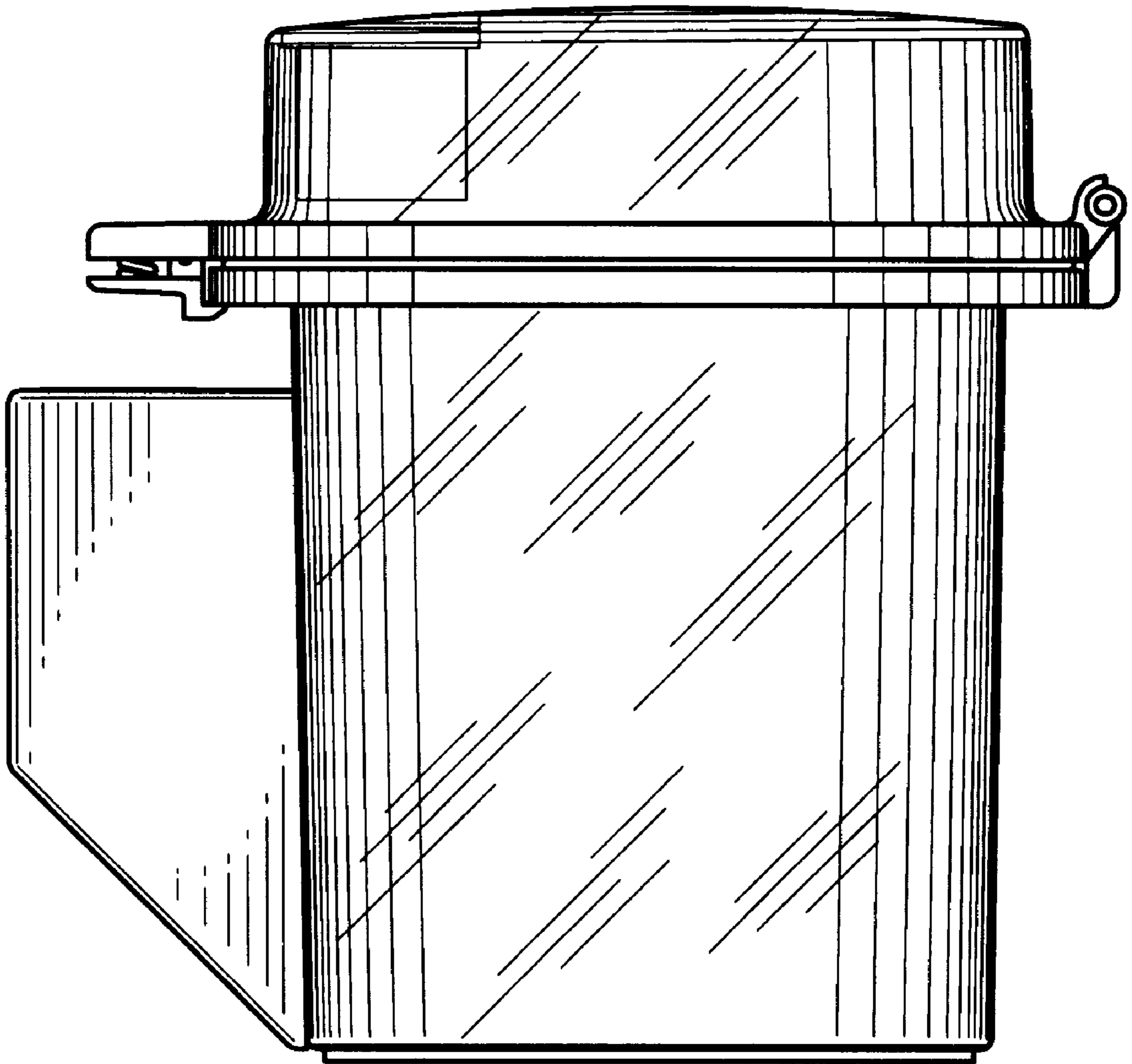


Fig. 5

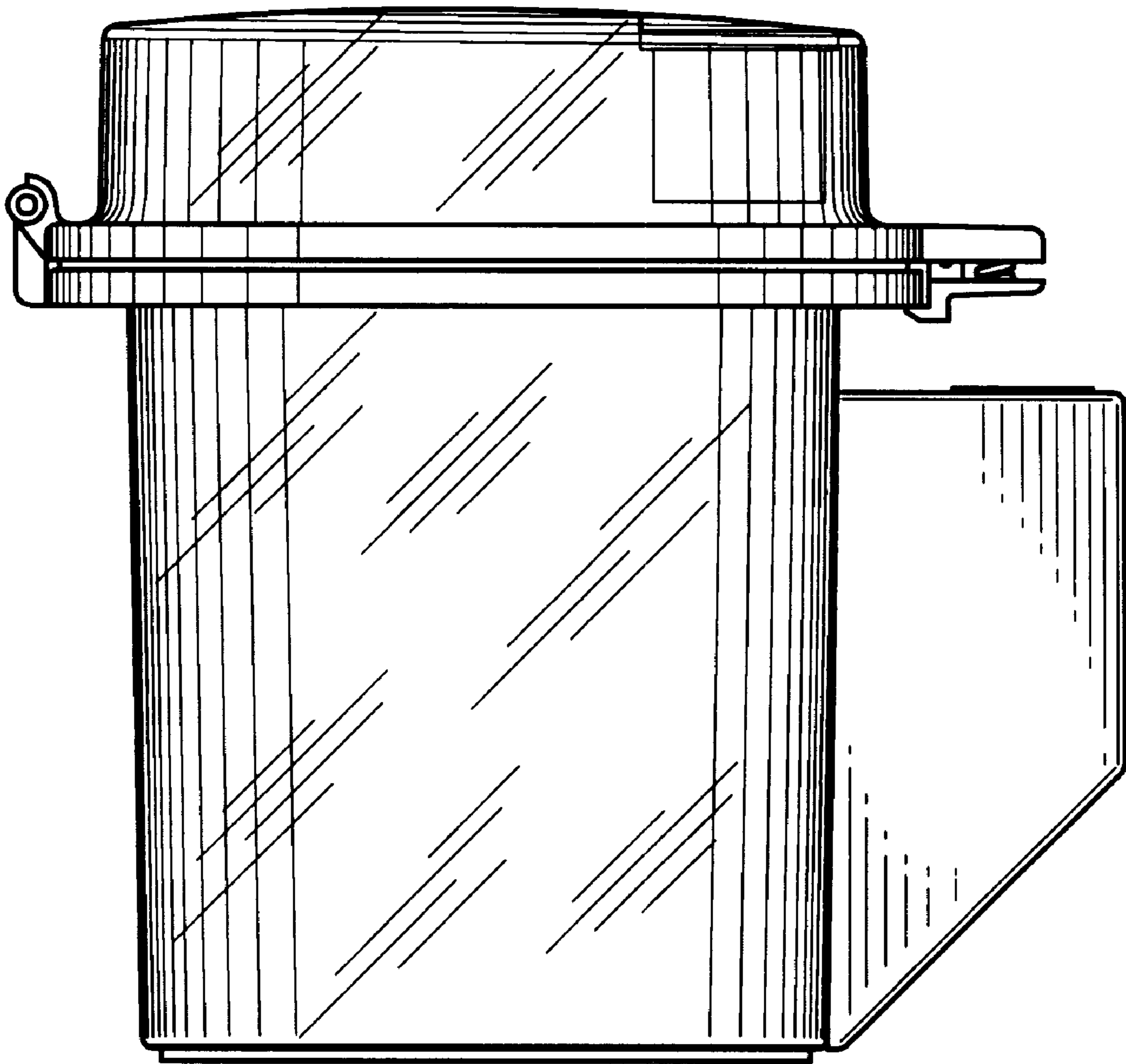


Fig. 6

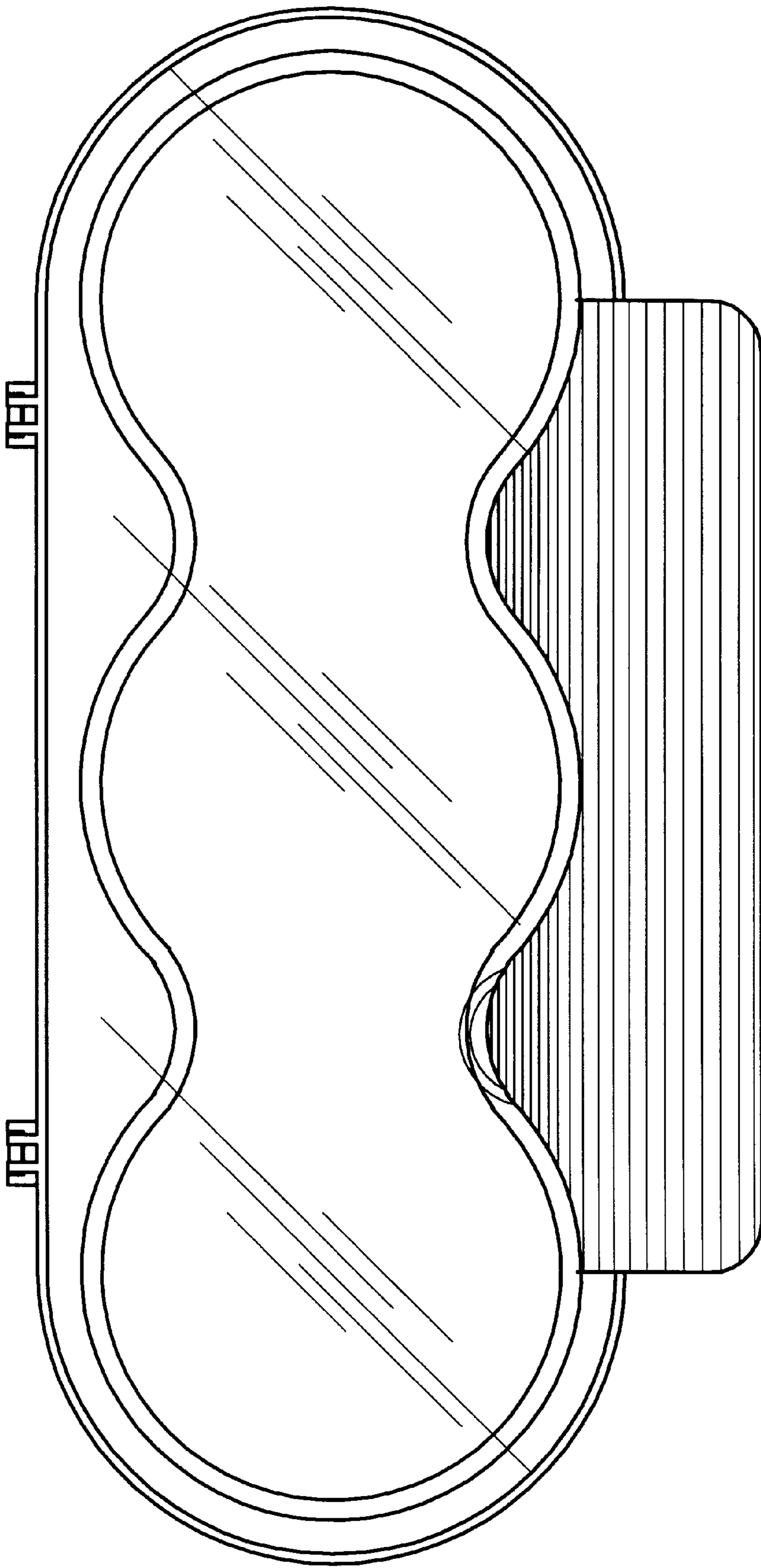


Fig. 7