



US00D414380S

**United States Patent** [19]  
**Beverly**

[11] **Patent Number: Des. 414,380**

[45] **Date of Patent: \*\* Sep. 28, 1999**

[54] **DONUT/BAGEL KEEPER**

[76] Inventor: **Cheryl Denise Beverly**, 1506  
Crosscourt Dr., Garland, Tex. 75040

[\*\*] Term: **14 Years**

[21] Appl. No.: **29/087,591**

[22] Filed: **May 6, 1998**

[51] **LOC (6) Cl. .... 07-07**

[52] **U.S. Cl. .... D7/609; D7/709**

[58] **Field of Search** ..... D7/609, 629, 709;  
D3/273, 274, 276, 291; D6/407, 629, 632,  
633, 634; 220/4.21, 252

[56] **References Cited**

**U.S. PATENT DOCUMENTS**

D. 136,619	11/1943	Wahl	.....	D7/609
D. 164,329	8/1951	Roop	.....	D7/609
D. 348,584	7/1994	Sankey	.....	D6/632
2,736,452	2/1956	Roop	.....	220/4.21

*Primary Examiner*—Terry A. Wallace  
*Attorney, Agent, or Firm*—Strasburger & Price, LLP;  
Matthew J. Booth

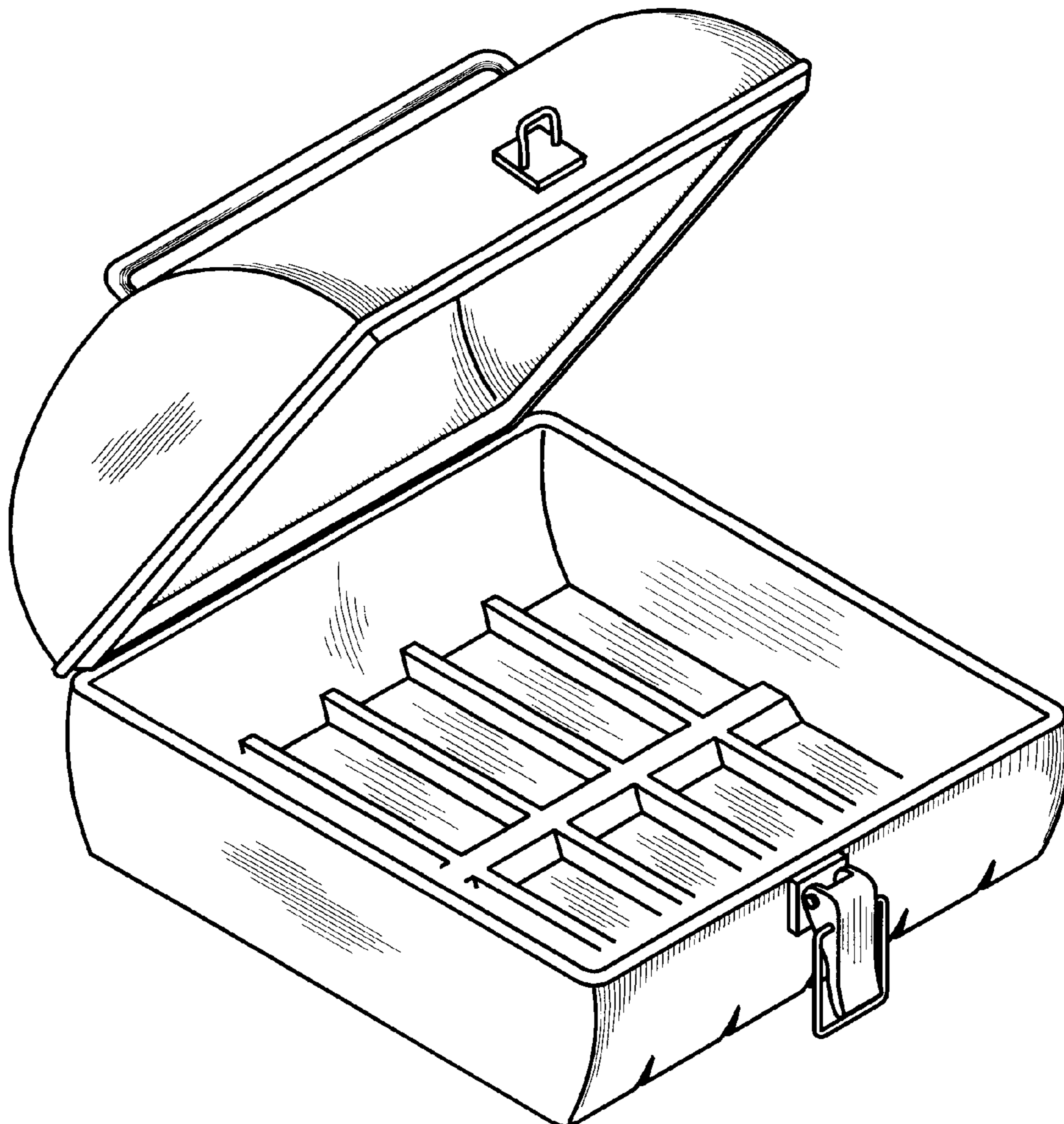
[57] **CLAIM**

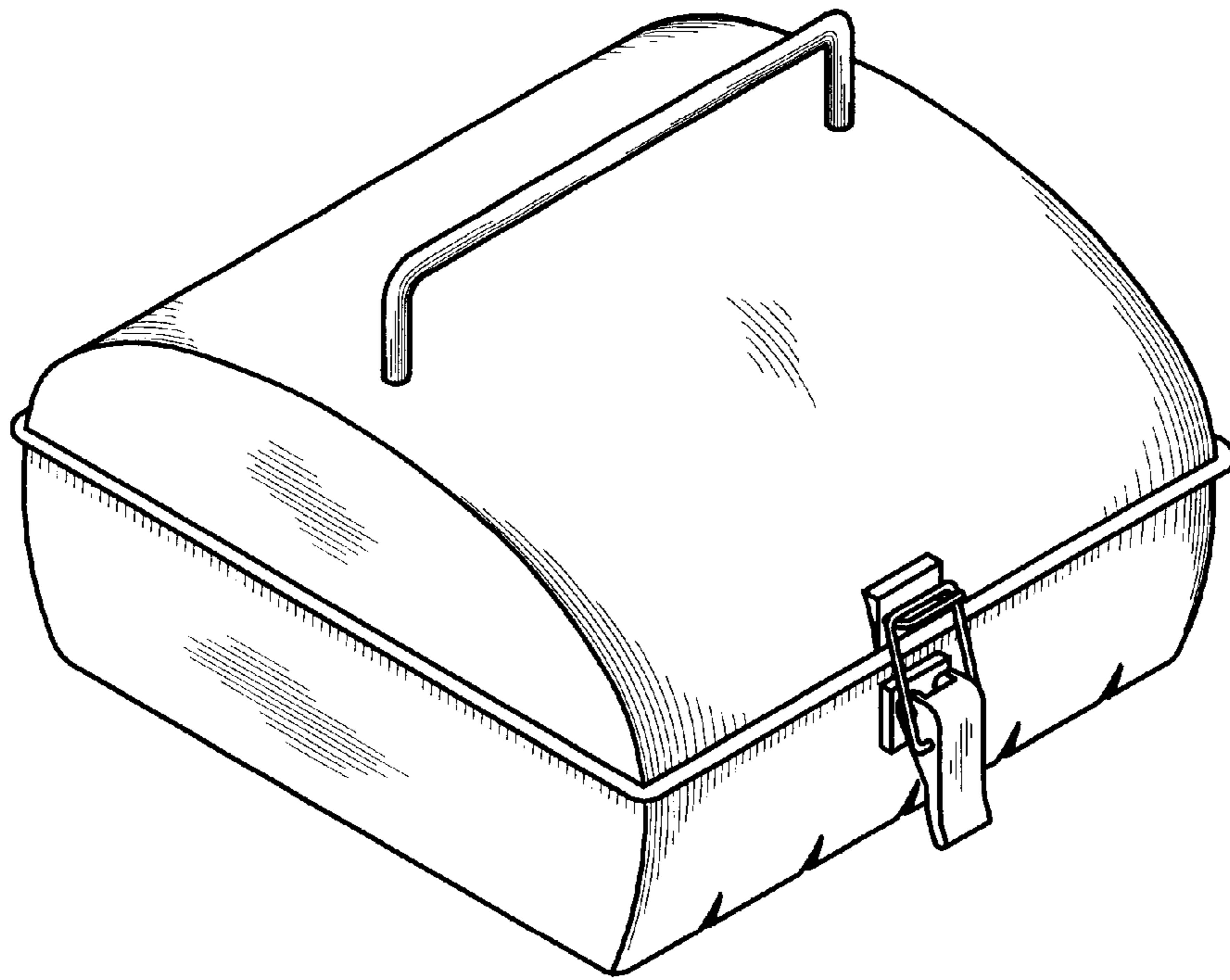
The ornamental design for the donut/bagel keeper, as shown and described.

**DESCRIPTION**

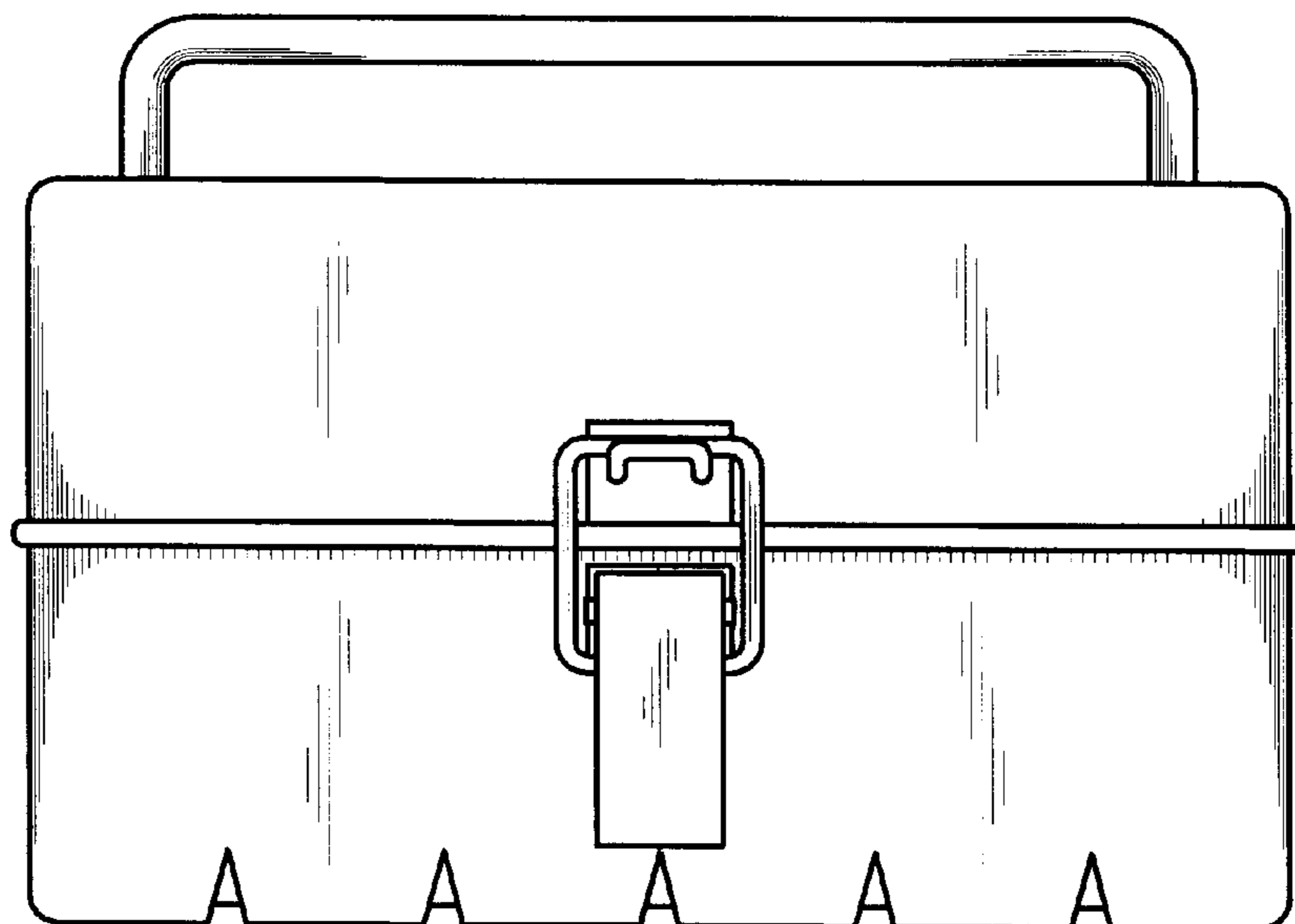
FIG. 1 is a perspective view of a donut/bagel keeper showing my new design;  
FIG. 2 is a front elevation view thereof;  
FIG. 3 is a left side elevation view thereof, the opposite side being a mirror image;  
FIG. 4 is a rear elevation view thereof;  
FIG. 5 is a top plan view thereof;  
FIG. 6 is a bottom plan view thereof; and,  
FIG. 7 is a perspective view thereof with the lid in an open position.

**1 Claim, 4 Drawing Sheets**

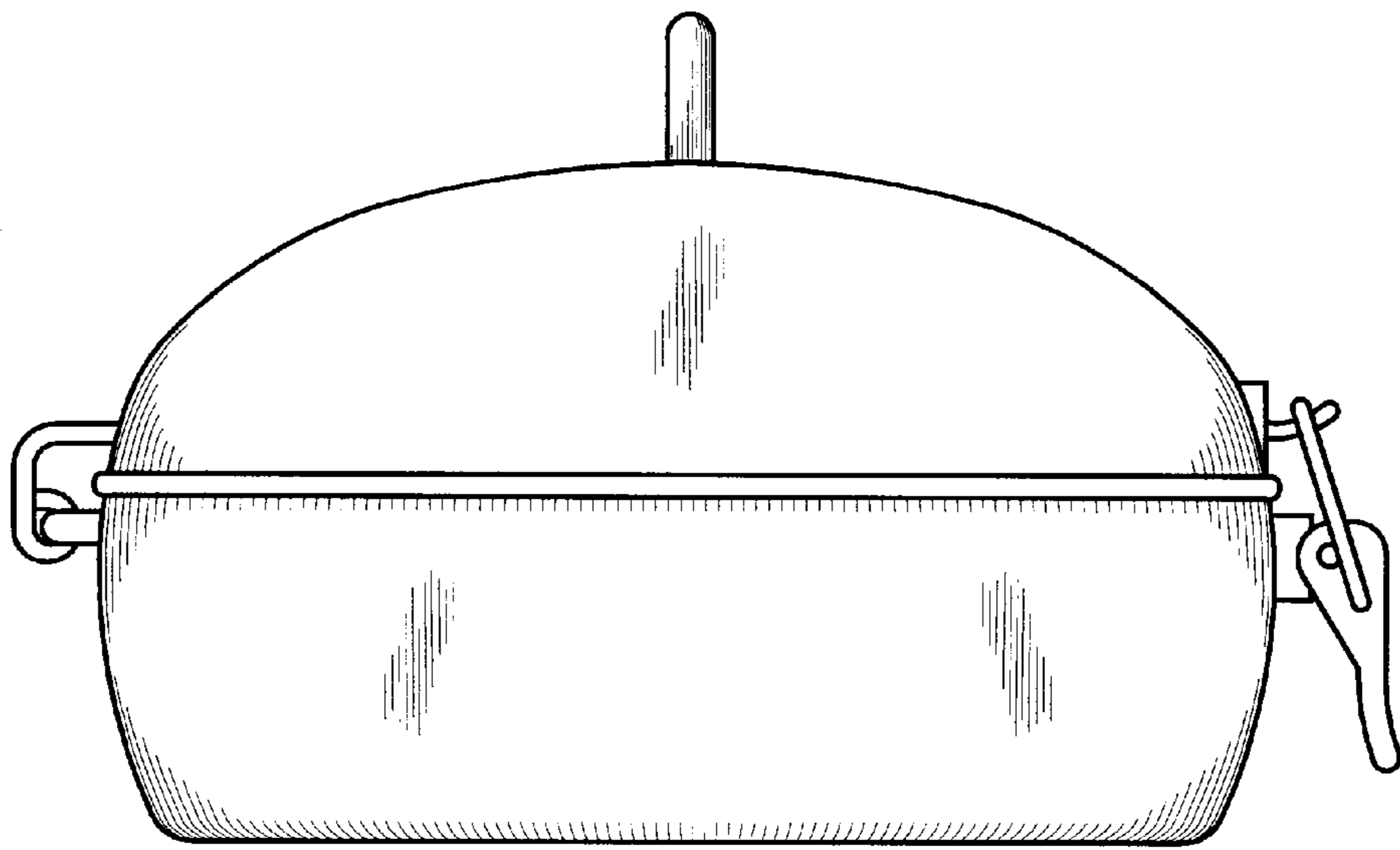




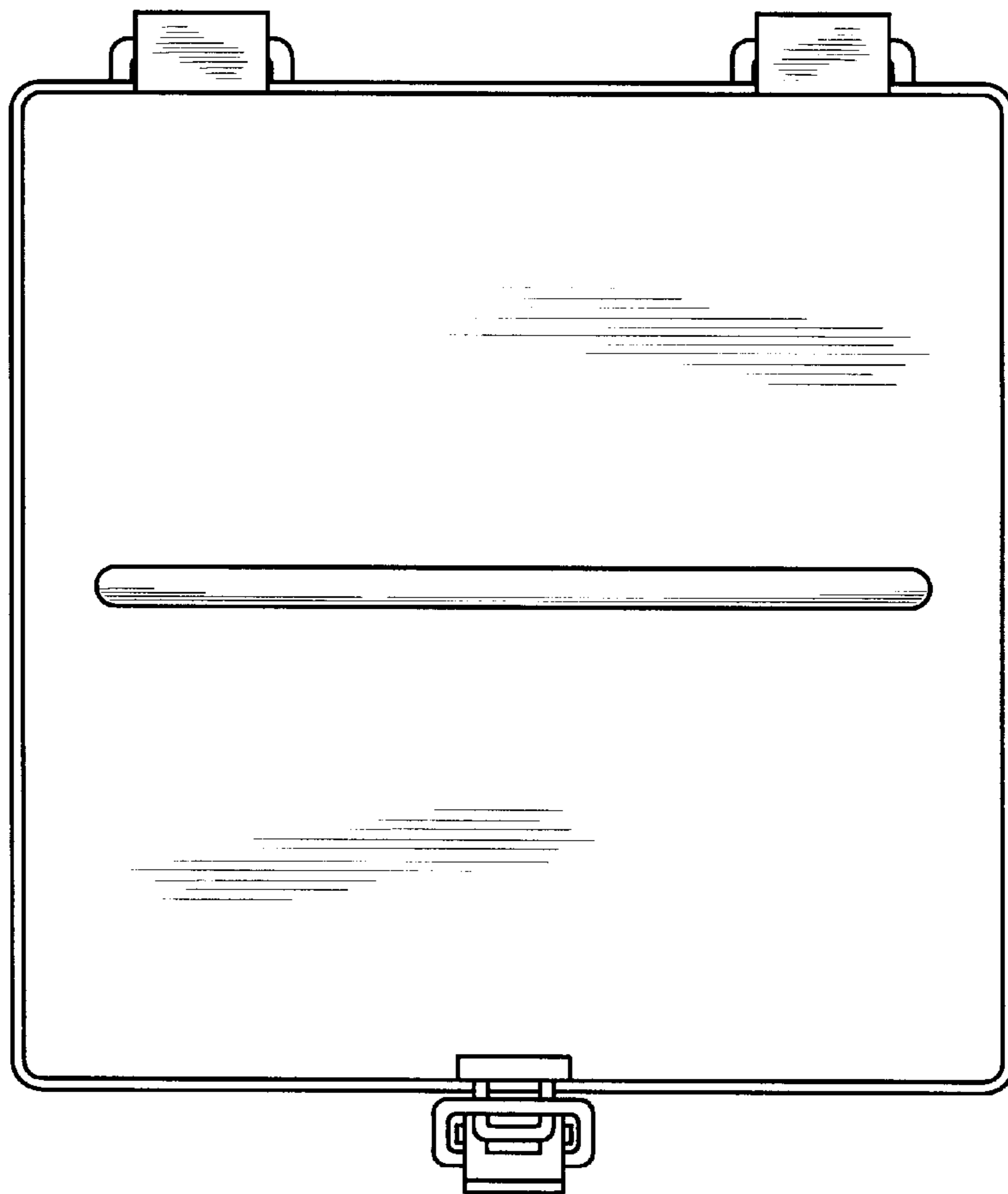
**FIG. 1**



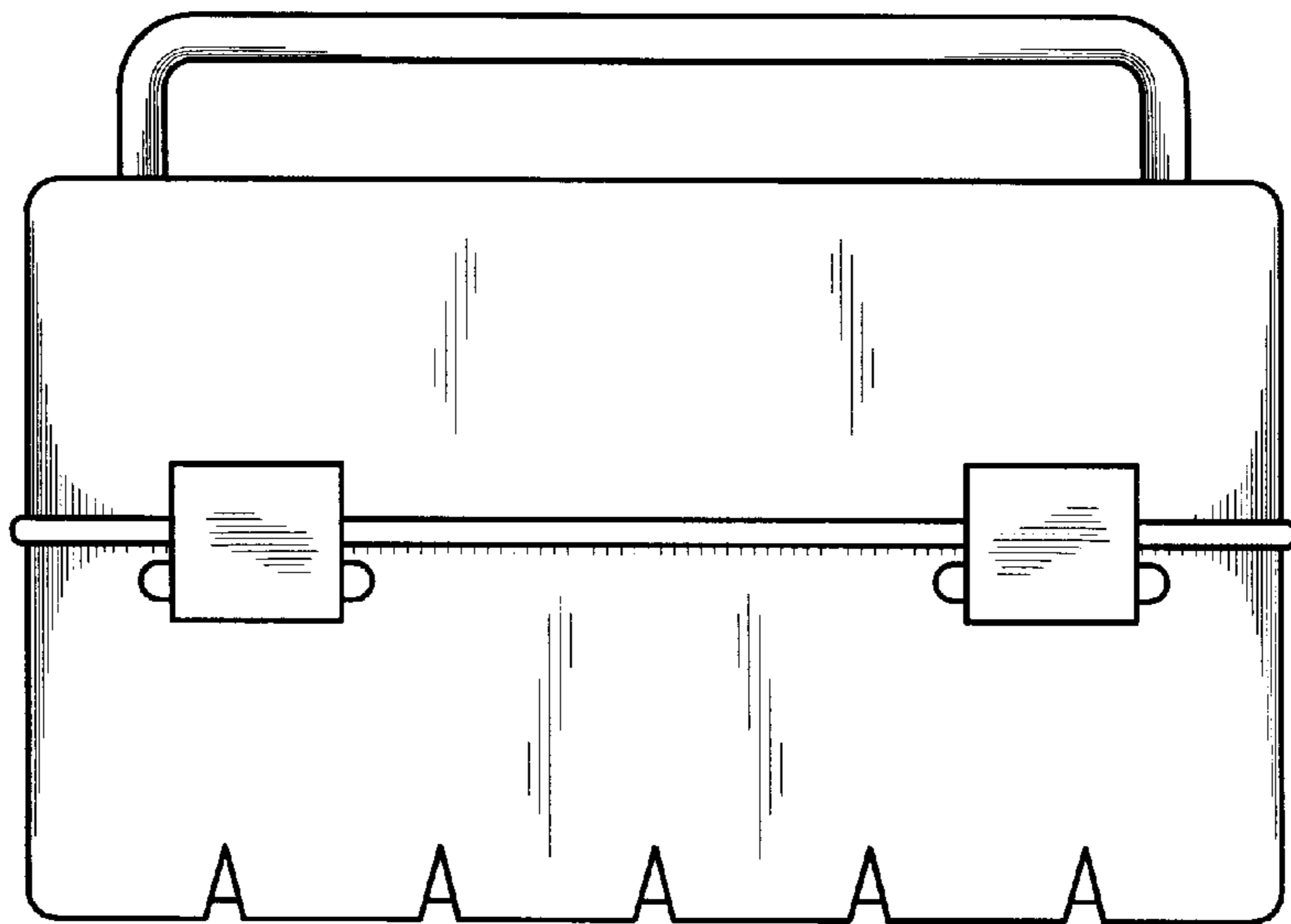
**FIG. 2**



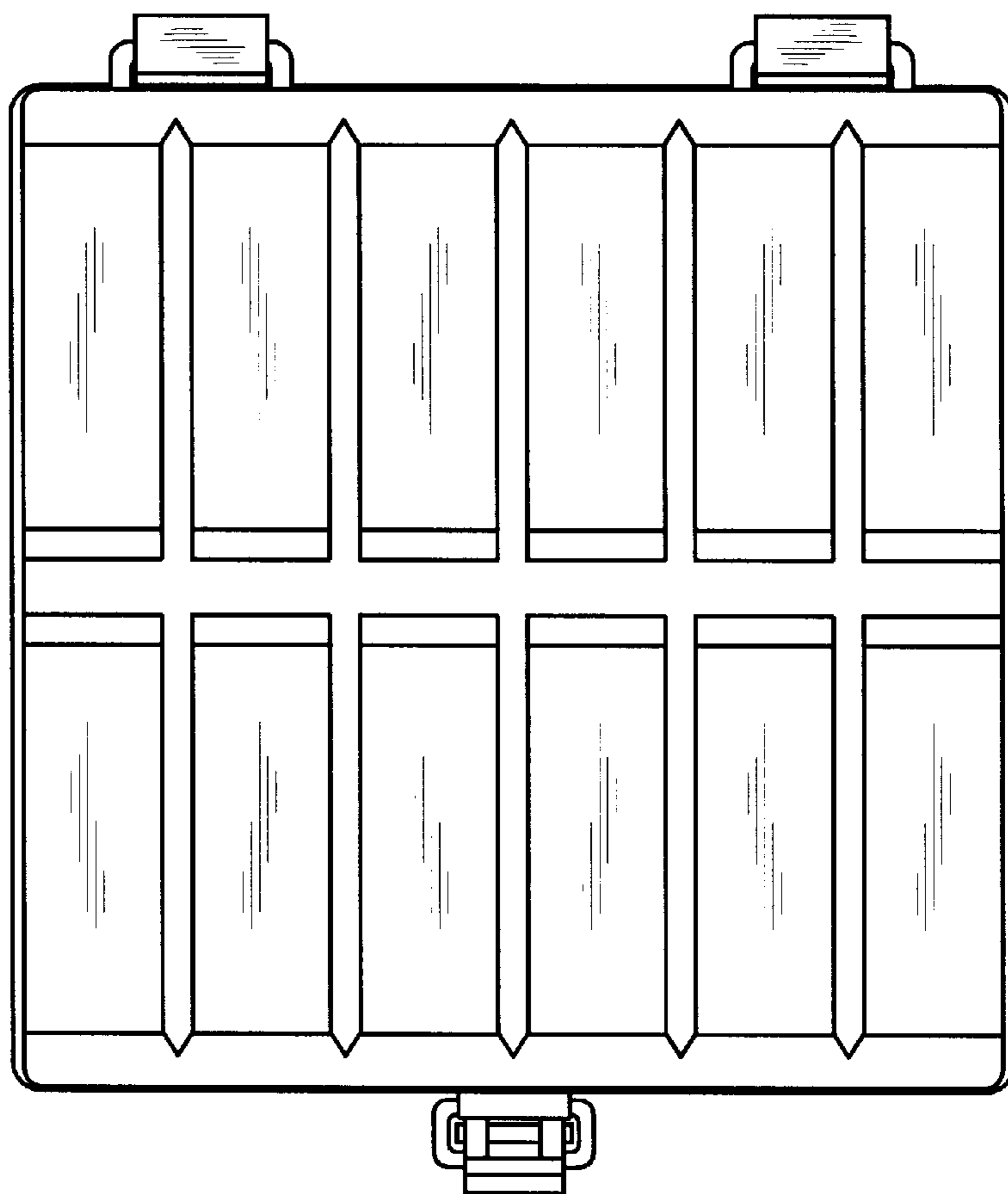
**FIG. 3**



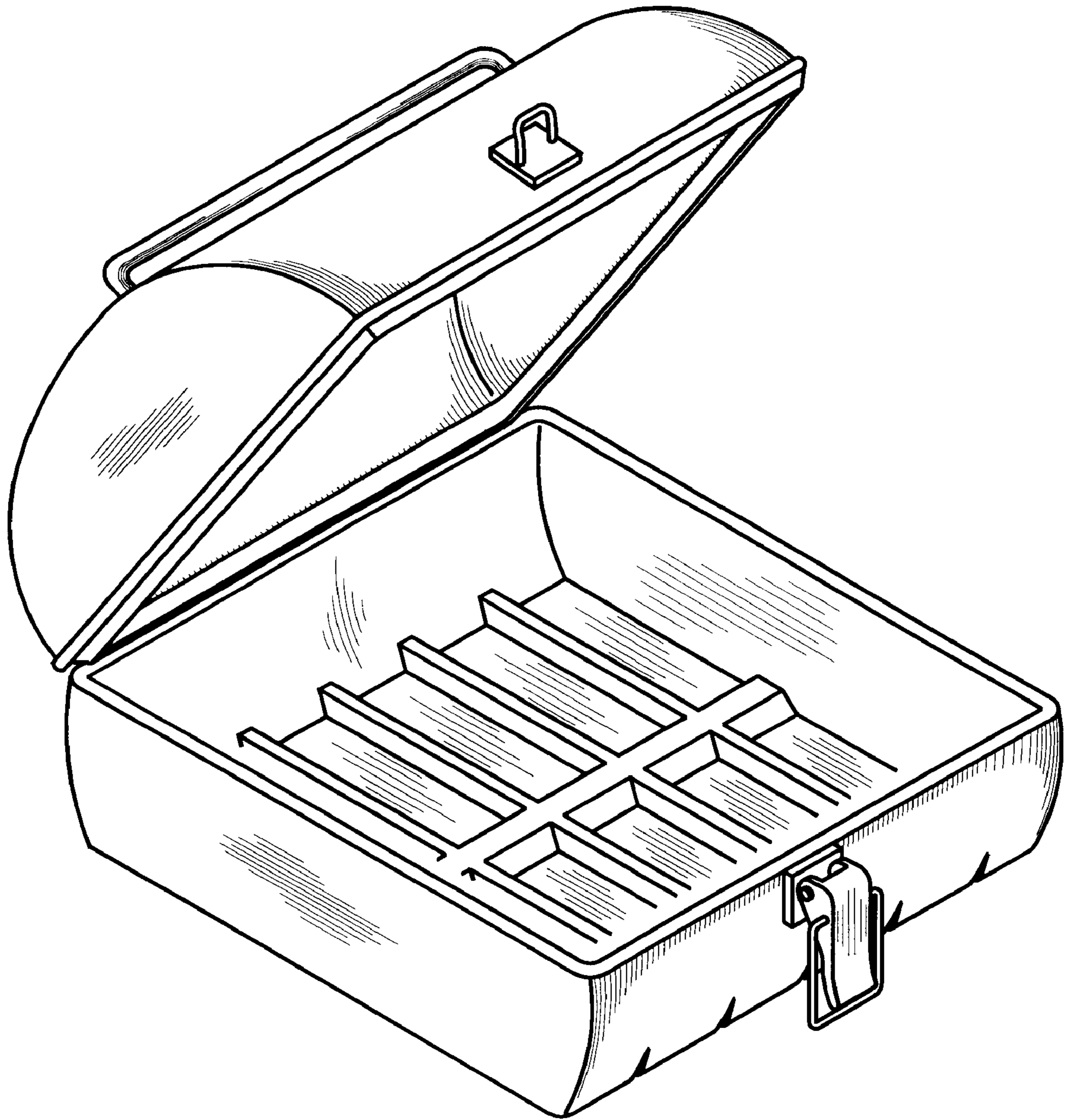
**FIG. 4**



**FIG. 5**



**FIG. 6**



**FIG. 7**