



US00D414375S

United States Patent [19]

[11] Patent Number: Des. 414,375

Diulus

[45] Date of Patent: ** Sep. 28, 1999

[54] CAMPING SET CONSISTING OF FIVE ELEMENTS

[75] Inventor: Laurent Diulus, Rumilly, France

[73] Assignee: Tefal S.A., Rumilly, France

[**] Term: 14 Years

[21] Appl. No.: 29/072,247

[22] Filed: Jun. 10, 1997

[30] Foreign Application Priority Data

Dec. 11, 1996 [FR] France 96 7009

[51] LOC (6) Cl. 07-02

[52] U.S. Cl. D7/354

[58] Field of Search D7/323, 354-361, D7/391, 395; 99/324, DIG. 15; 16/110 R, 114 R, 114 A; 220/573.1, 573.5, 574, 912

[56] References Cited

U.S. PATENT DOCUMENTS

- D. 349,420 8/1994 Hasuike D7/360
- D. 375,433 11/1996 Jorgensen D7/354
- D. 382,766 8/1997 Hamada et al. D7/354
- D. 388,279 12/1997 Candianides D7/391

OTHER PUBLICATIONS

Gander Mountain Catalog; p. 51, Stainless Steel Family Cook Set #499M0834, upper left; Backpacker 2-Person Stainless Steel Cook Set #499M0842, middle right, Mar. 15, 1995.

Primary Examiner—Caron D. Veynar
Attorney, Agent, or Firm—Young & Thompson

[57] CLAIM

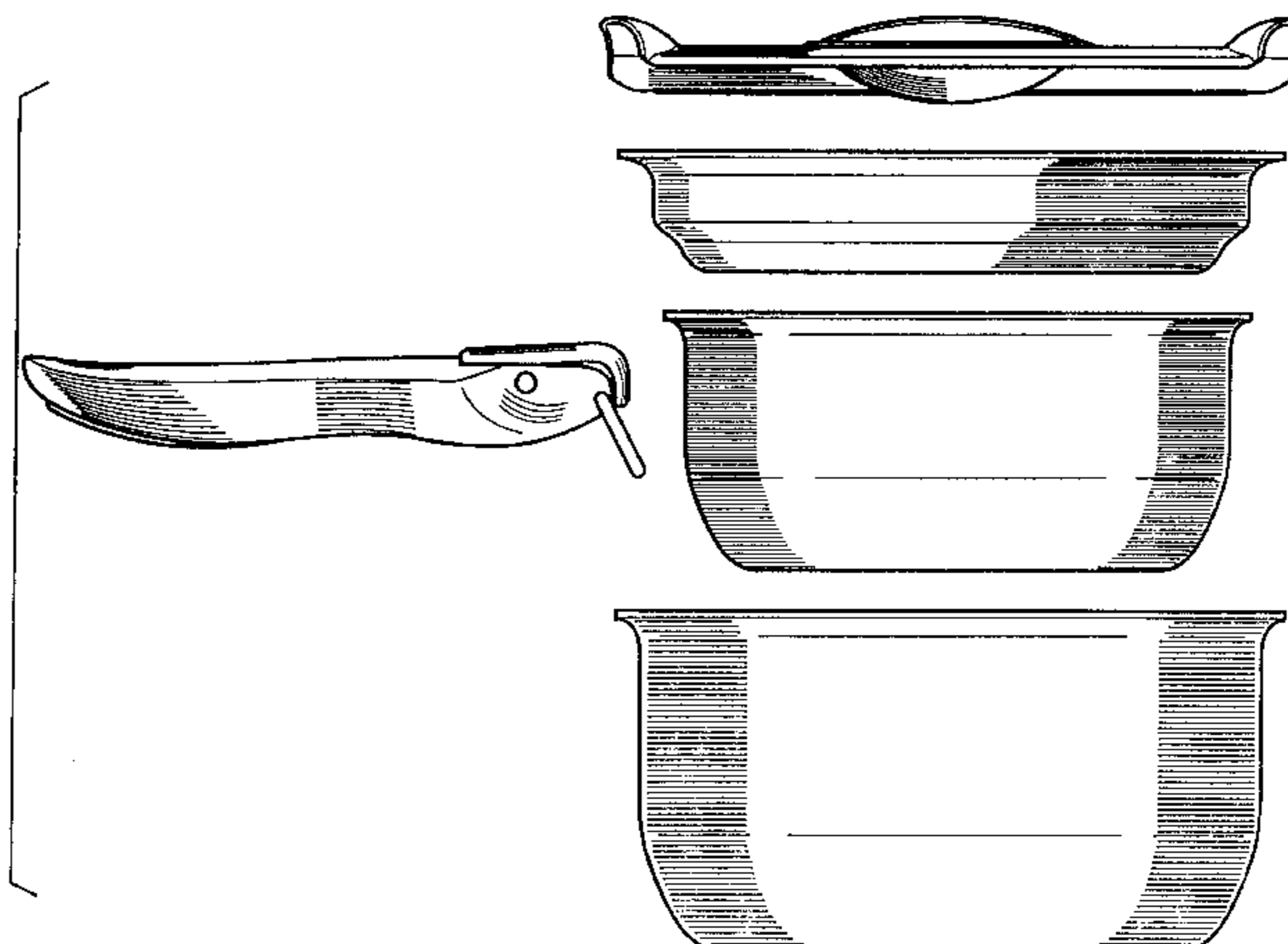
The ornamental design for a camping set consisting of five elements, as shown and described.

DESCRIPTION

FIG. 1 is a perspective view of the first pan;
FIG. 2 is a perspective view similar to FIG. 1 but with the handle attached thereto;

FIG. 3 is a bottom plan view of FIG. 1;
FIG. 4 is a view similar to FIG. 3 but with the handle attached thereto;
FIG. 5 is a top plan view of FIG. 1;
FIG. 6 is a view similar to FIG. 5 but with the handle attached thereto;
FIG. 7 is a side elevational view of the first pan, all other side views being identical;
FIG. 8 is a view similar to FIG. 7 but with the handle attached thereto;
FIGS. 9-16 are views similar to FIGS. 1-8, respectively, but of the second pan;
FIGS. 17-24 are views similar to FIGS. 1-8, respectively, but of the third pan;
FIG. 25 is a top plan view of the cover;
FIG. 26 is a bottom plan view of the cover;
FIG. 27 is a side elevational view of the cover from the lower left of FIG. 25;
FIG. 28 is a side elevational view of the cover from the upper right of FIG. 25;
FIG. 29 is a side elevational view of the cover from the left of FIG. 25;
FIG. 30 is a top perspective view of the cover;
FIG. 31 is a top plan view of the handle;
FIG. 32 is a bottom plan view of FIG. 31;
FIG. 33 is a perspective view of the handle;
FIG. 34 is a side elevational view of the handle;
FIG. 35 is an opposite side elevational view of FIG. 34;
FIG. 36 is a perspective view of the handle in an open position;
FIG. 37 is a side elevational view of the handle shown in FIG. 36;
FIG. 38 is an opposite side elevational view of the handle shown in FIG. 37;
FIG. 39 is an end elevational view of the handle, taken from the left of FIG. 33;
FIG. 40 is an end elevational view of the handle, taken from the right of FIG. 33; and,
FIG. 41 is an exploded view of the camping set consisting of five elements.
FIGS. 1, 3, 5, 7, 9, 11, 13, 15, 17, 19, 21, 23 and 25-40 are shown separately for ease of illustration.
FIGS. 2, 4, 6, 8, 10, 12, 14, 16, 18, 20, 22 and 24 show each pan in conjunction with the handle attached for clarity of illustration.

1 Claim, 41 Drawing Sheets



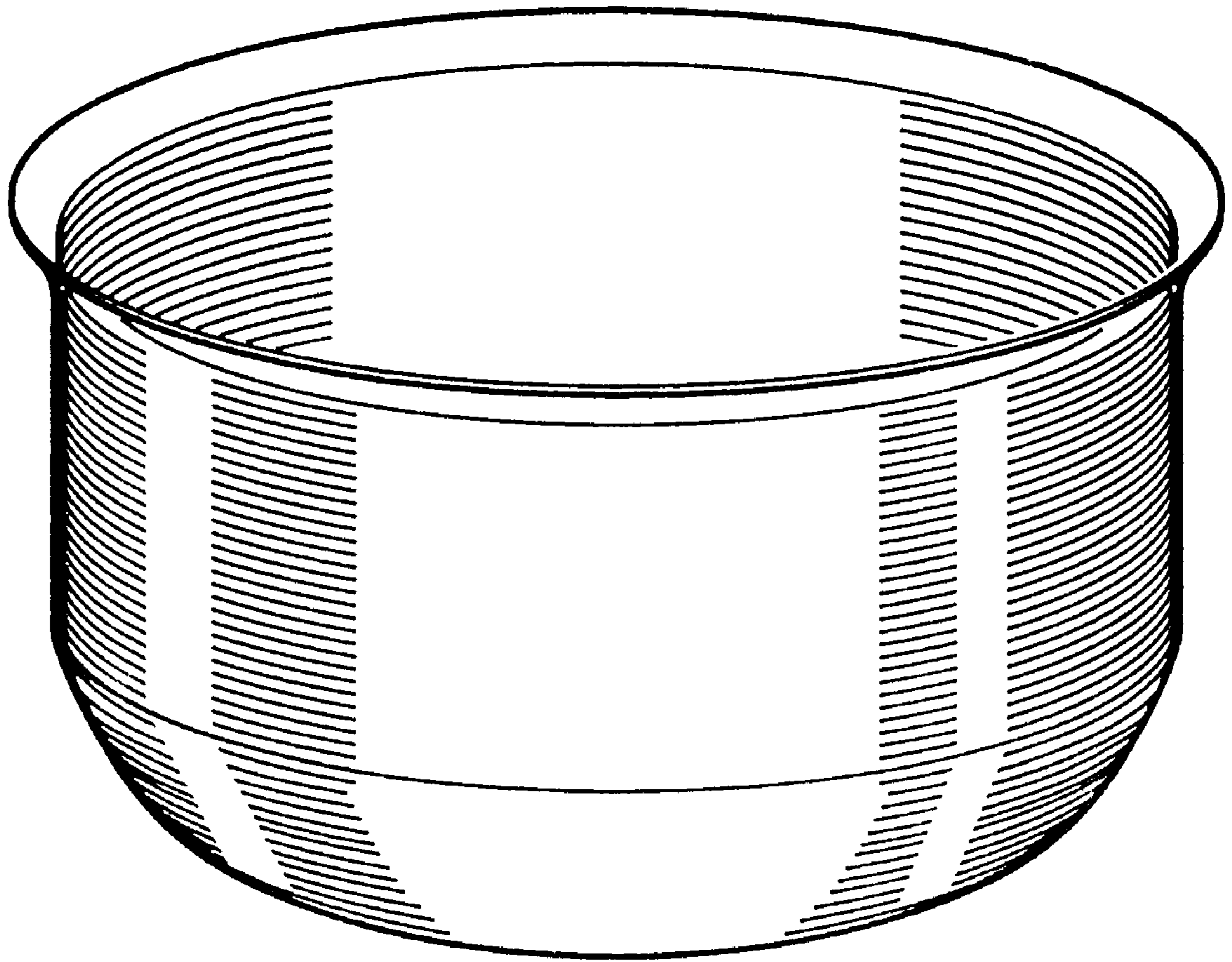


Fig. 1

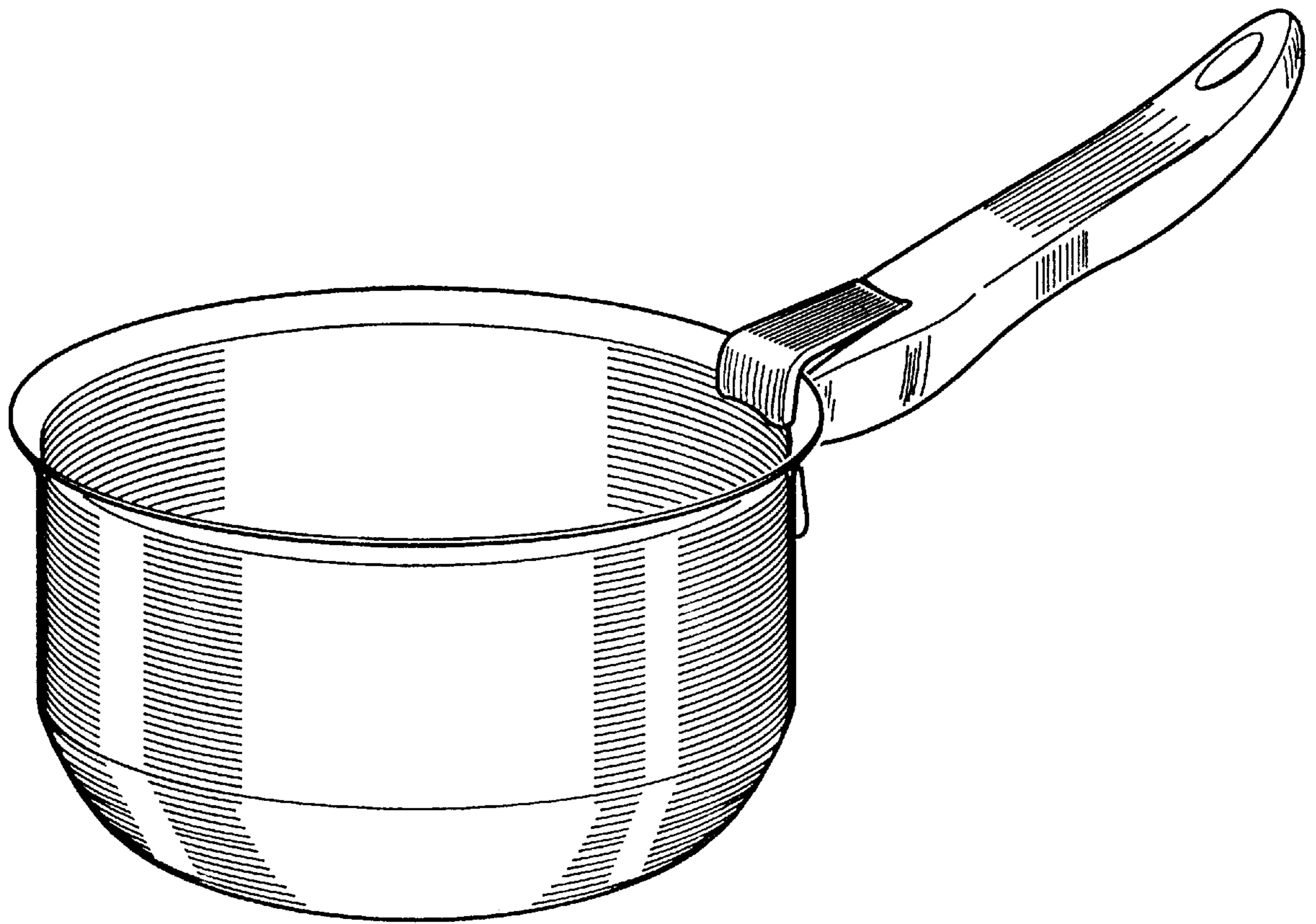


Fig. 2

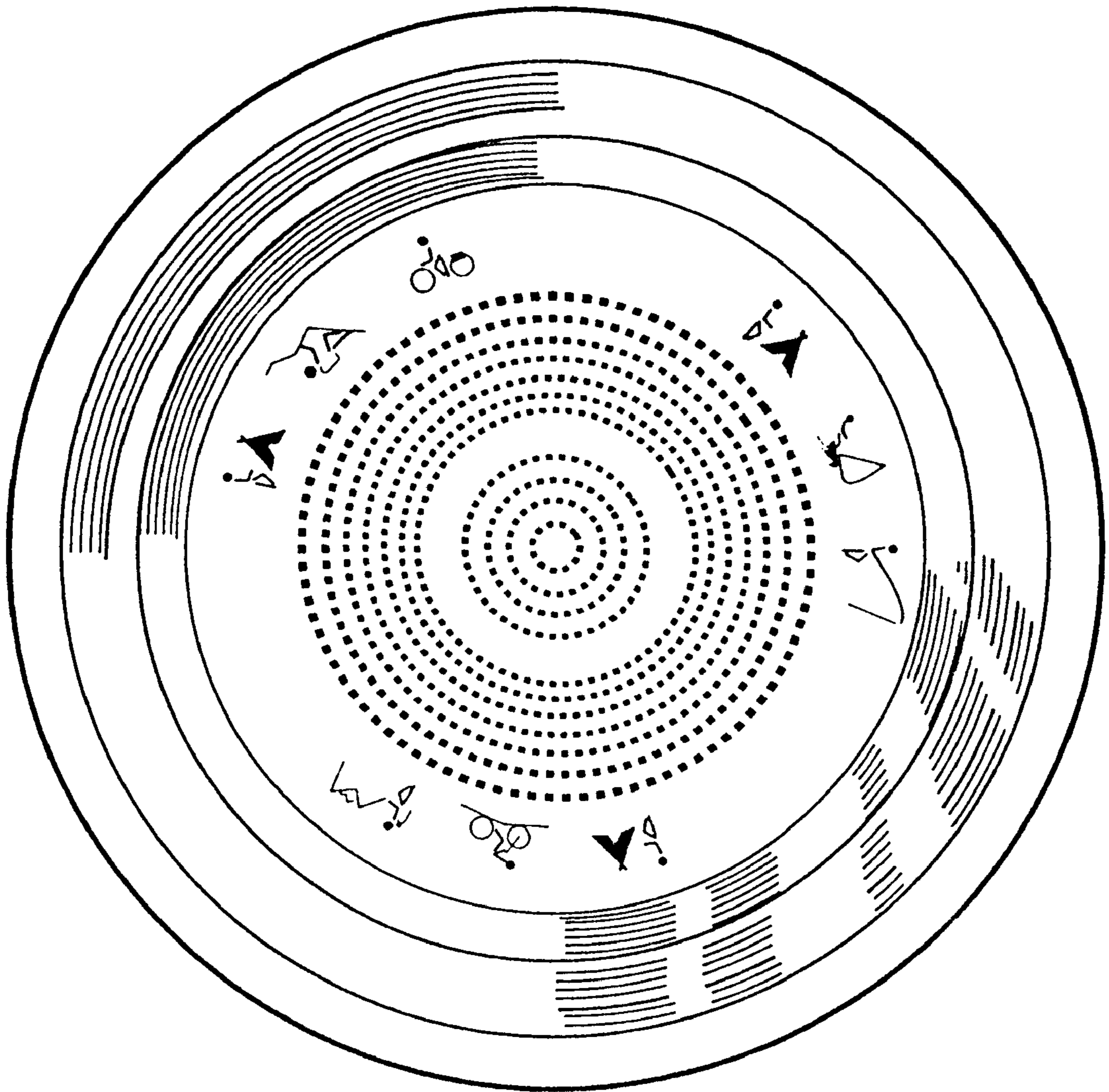


Fig. 3

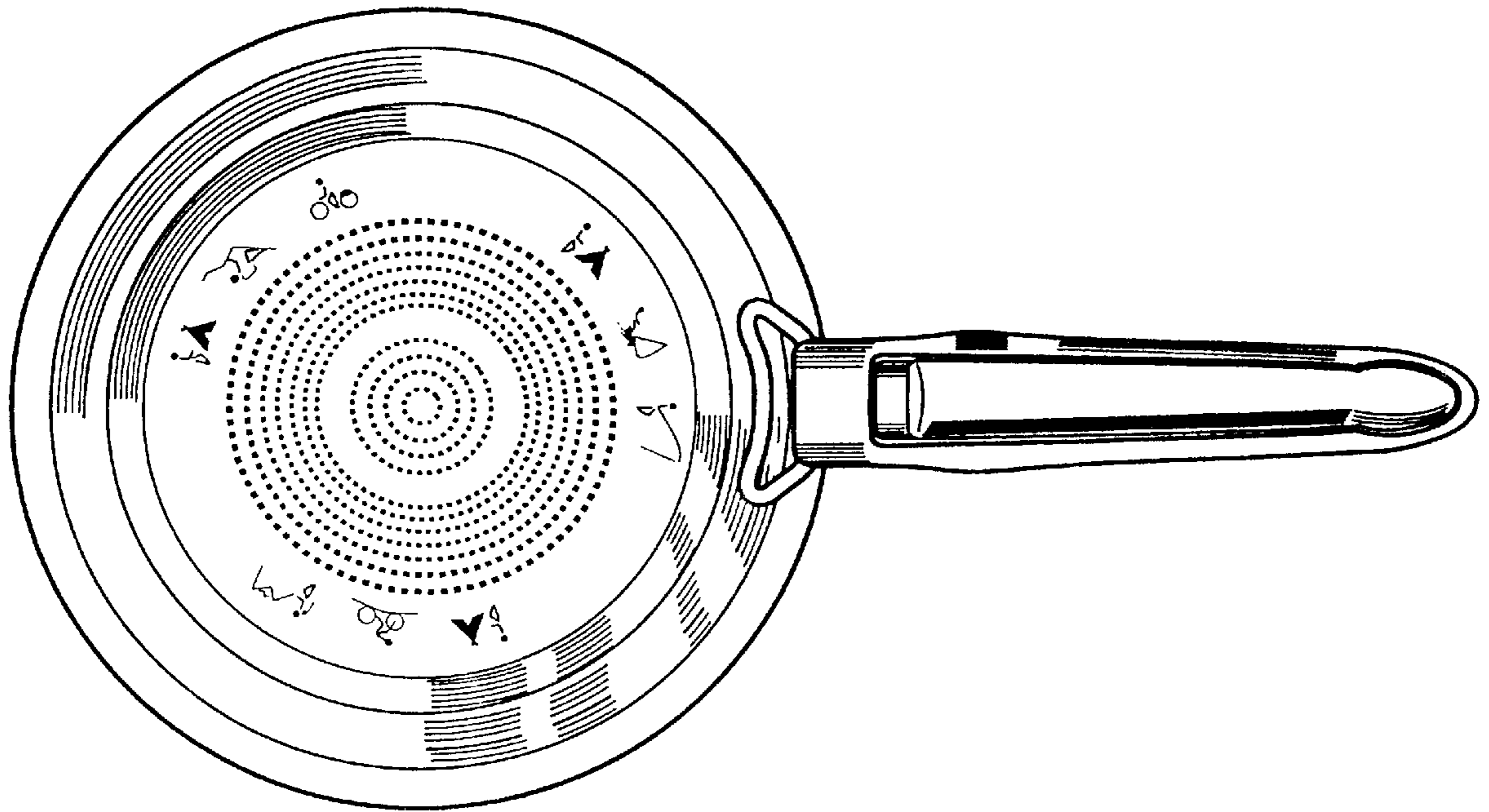


Fig. 4

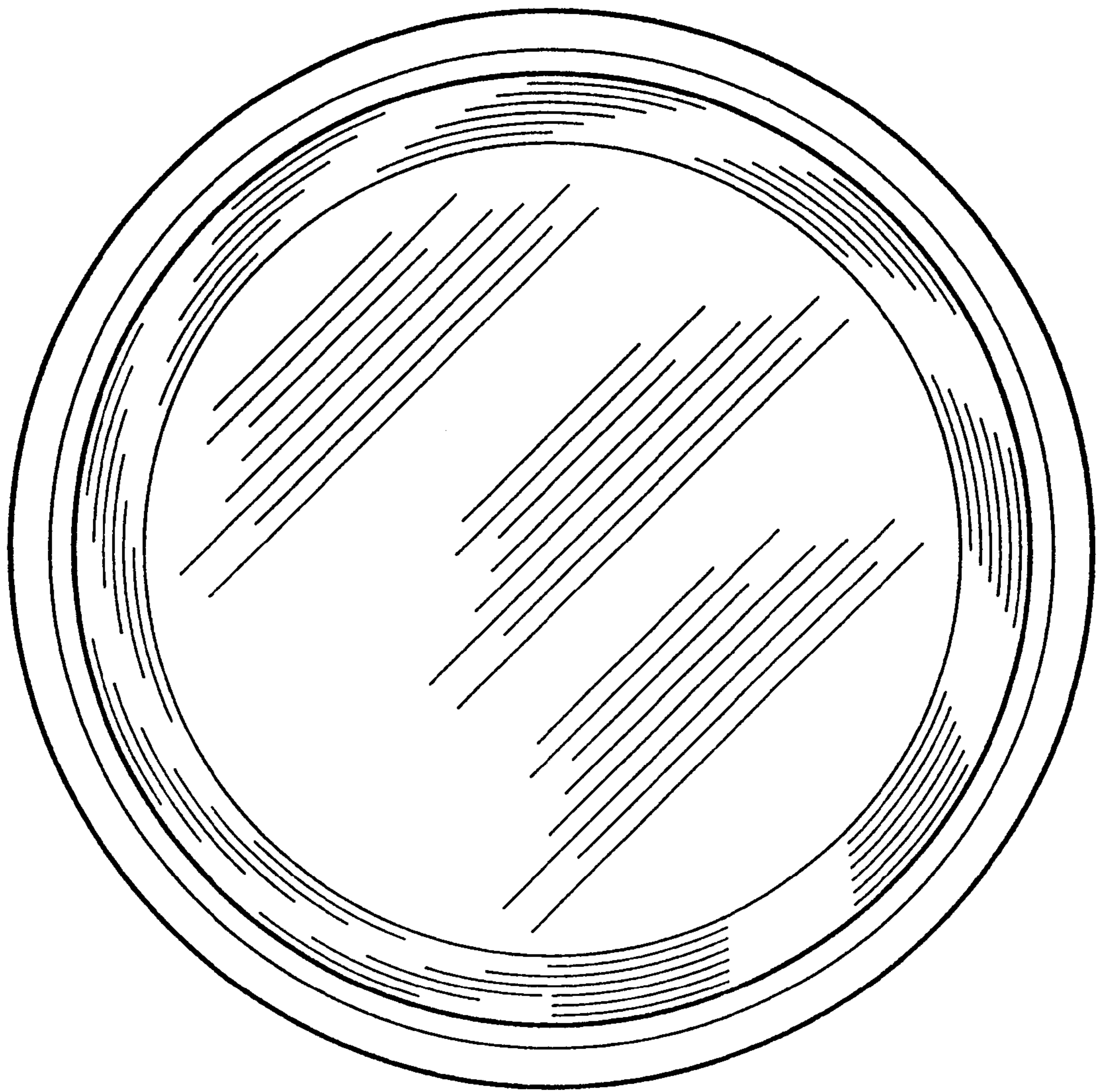


Fig. 5

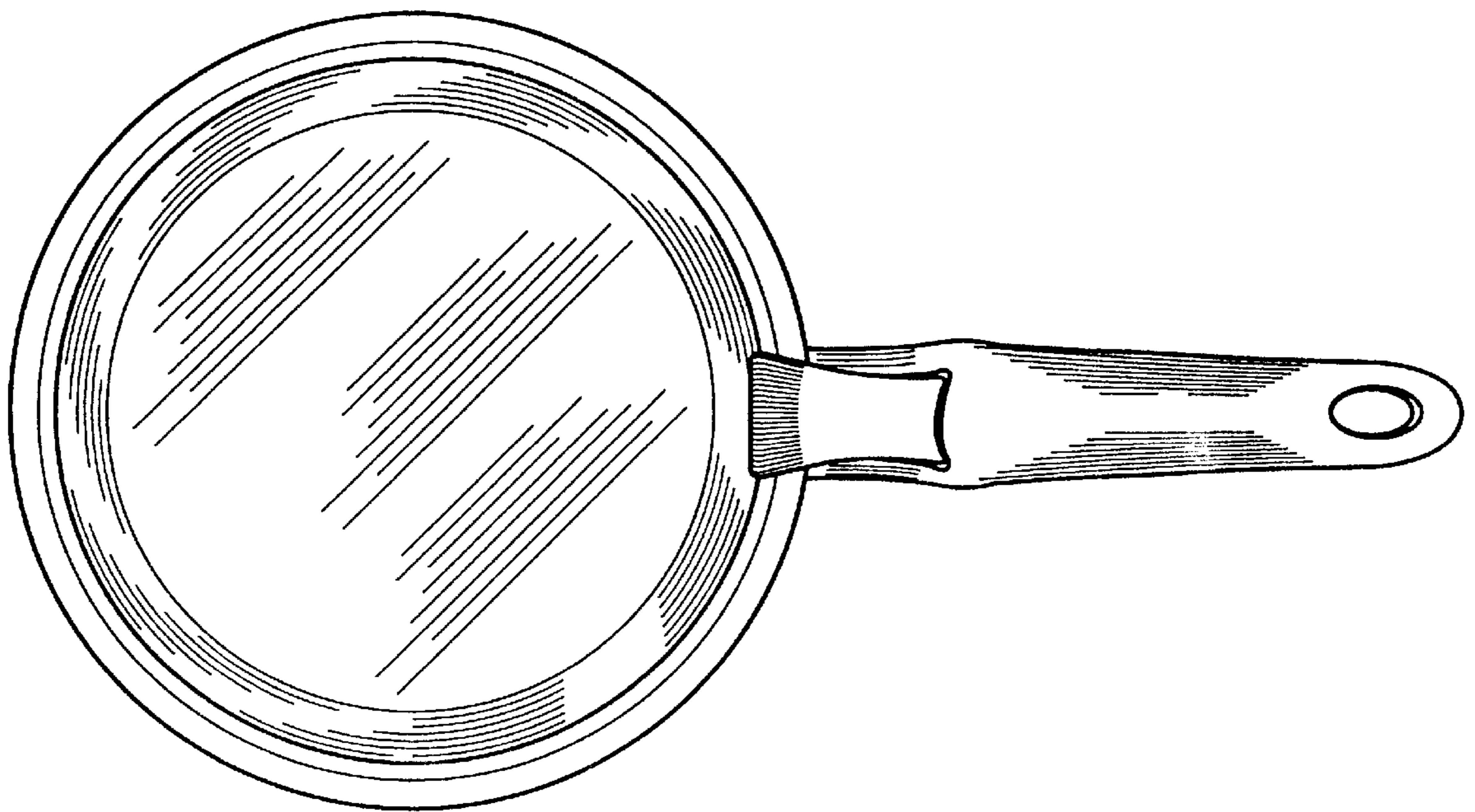


Fig. 6

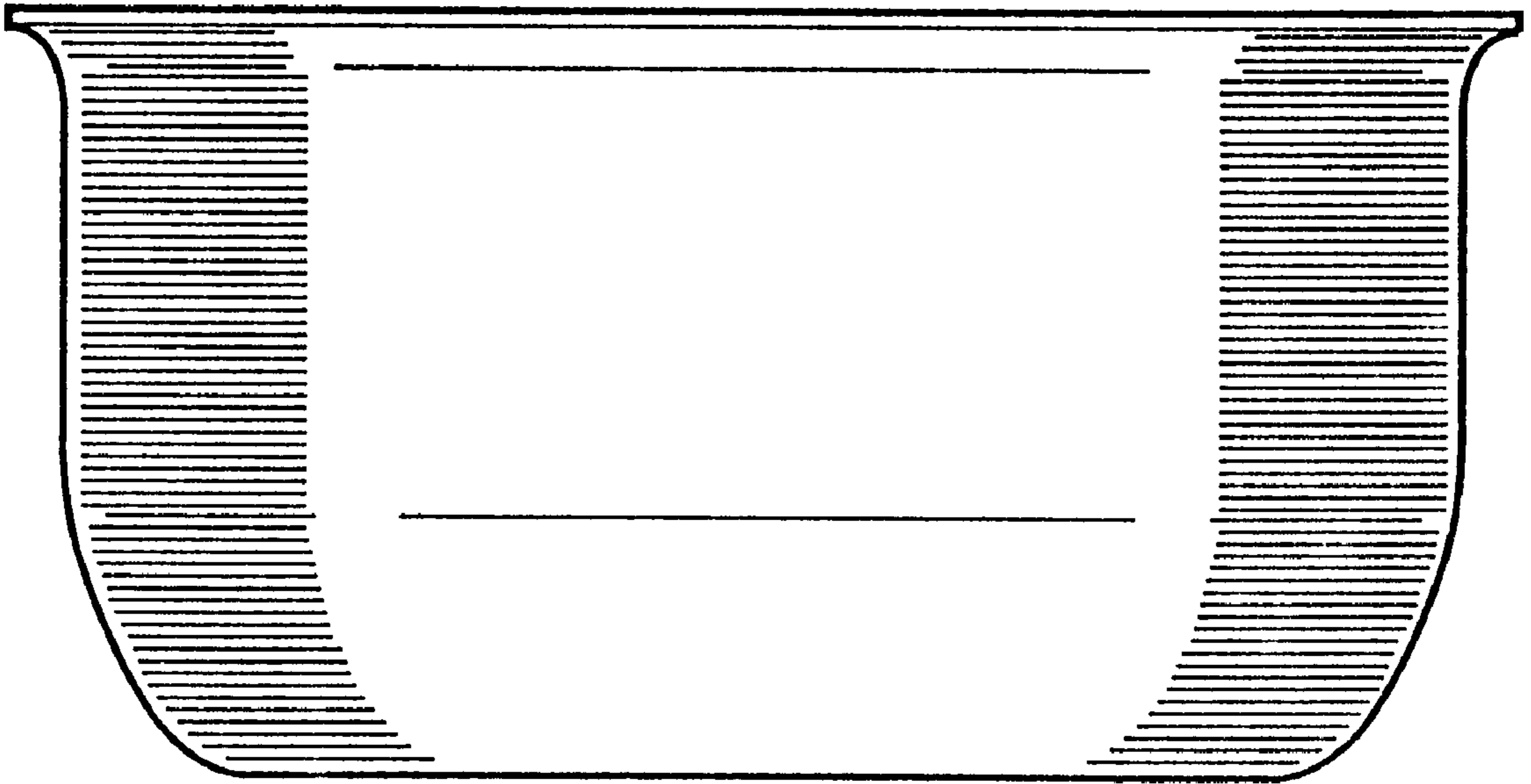


Fig. 7

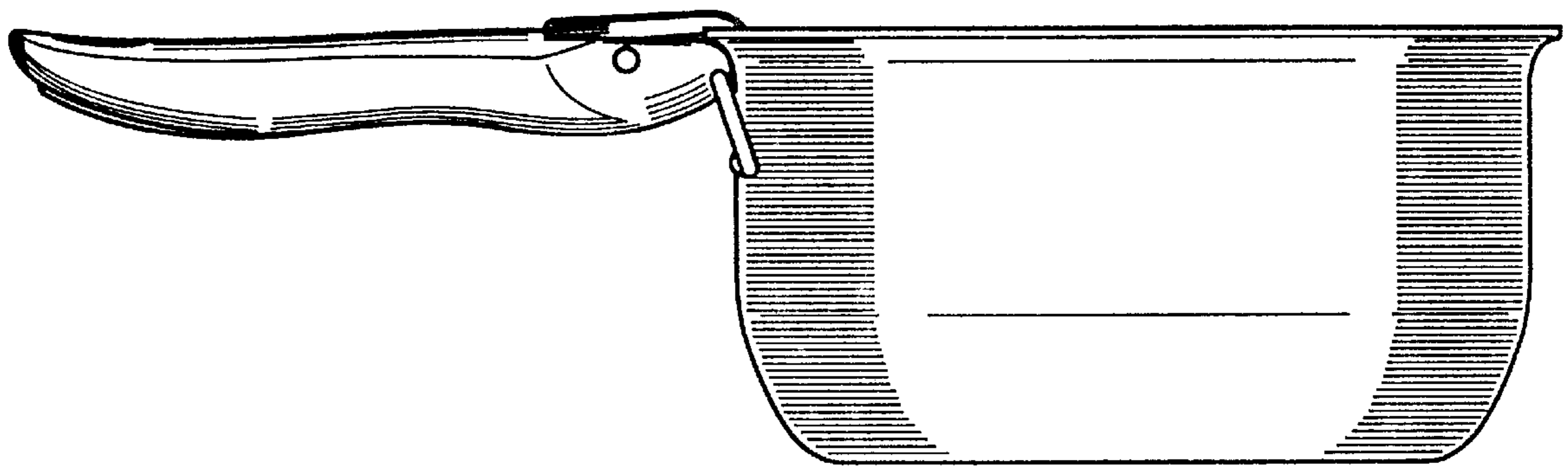


Fig. 8

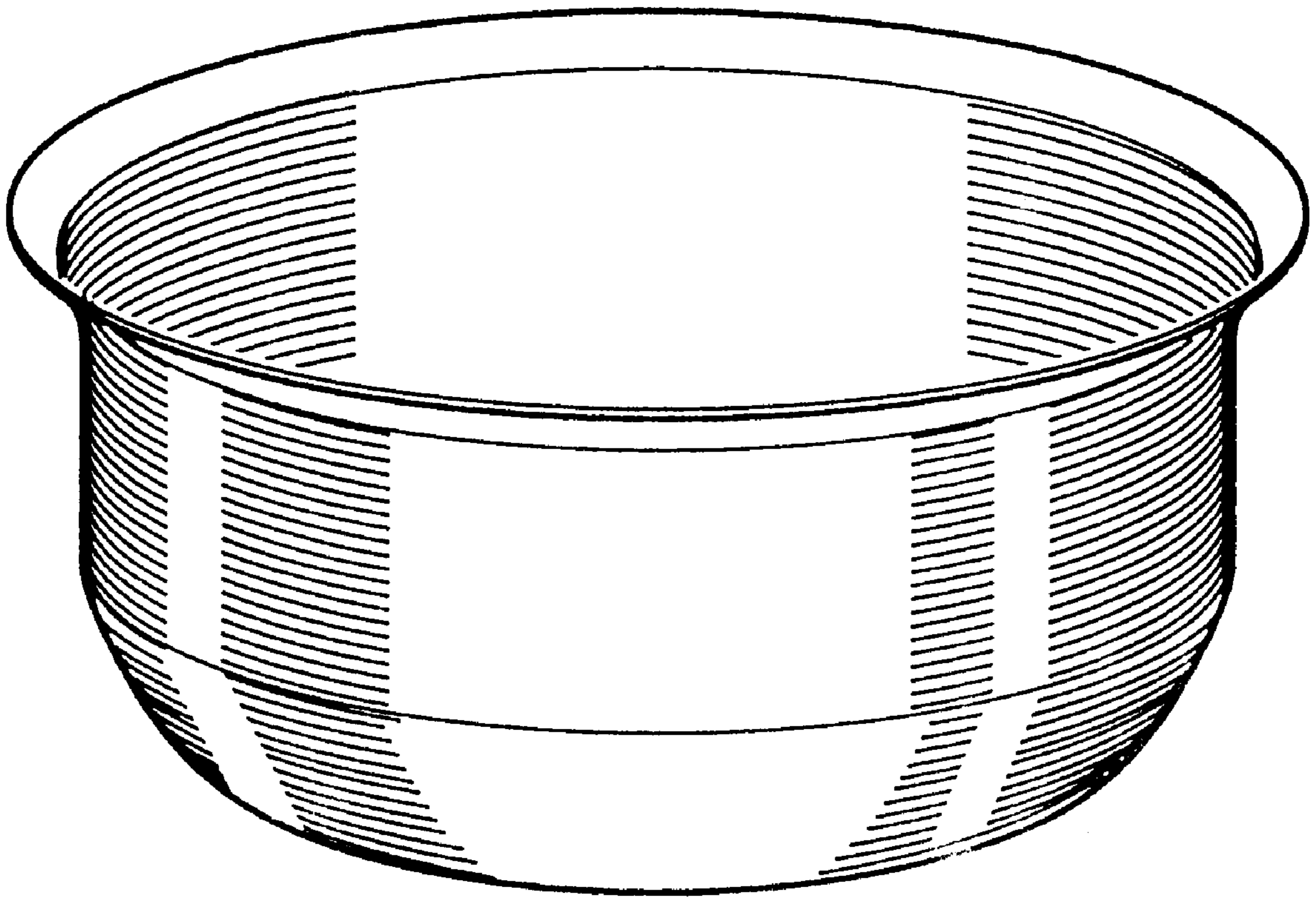


Fig. 9

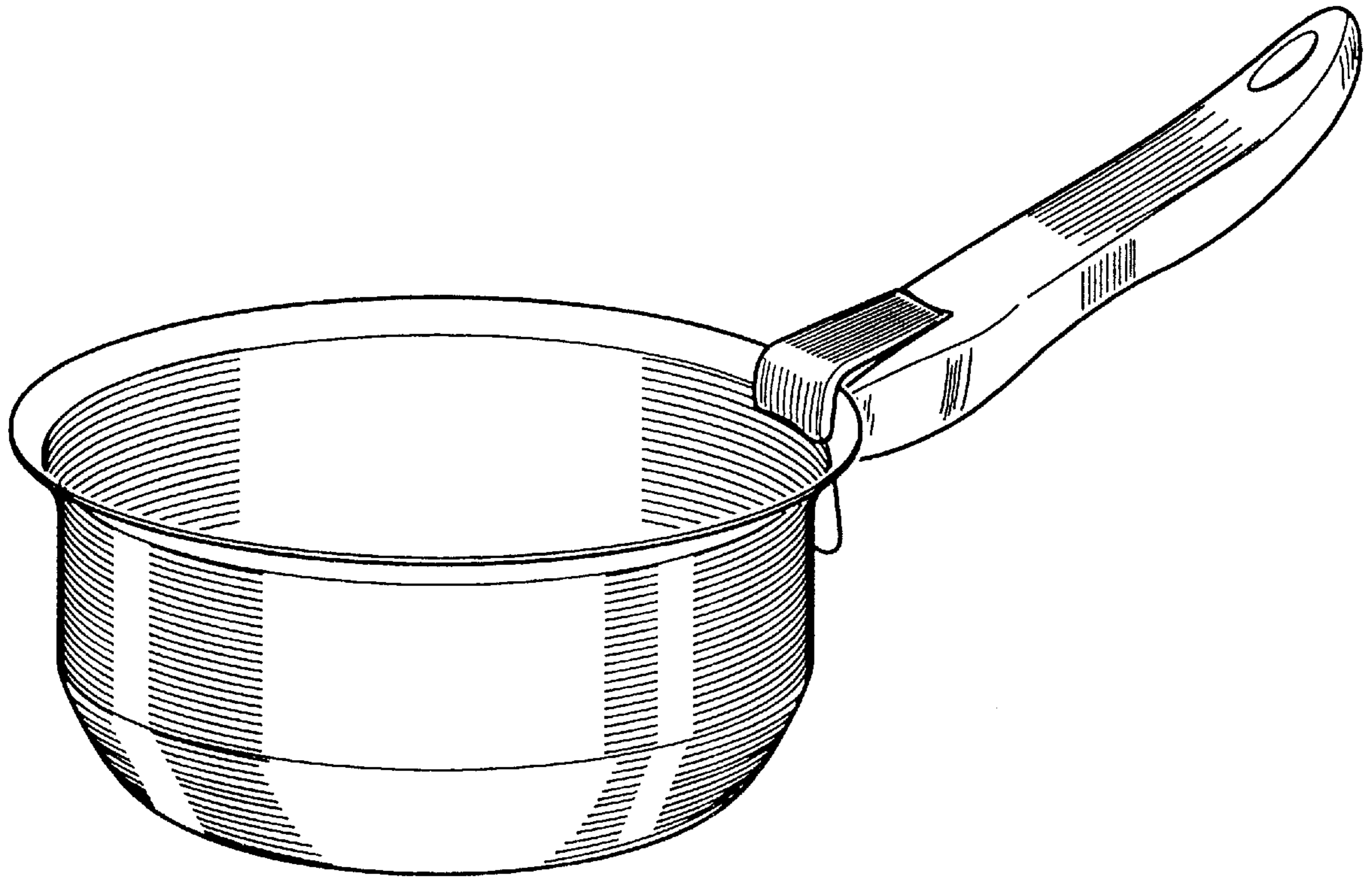


Fig. 10

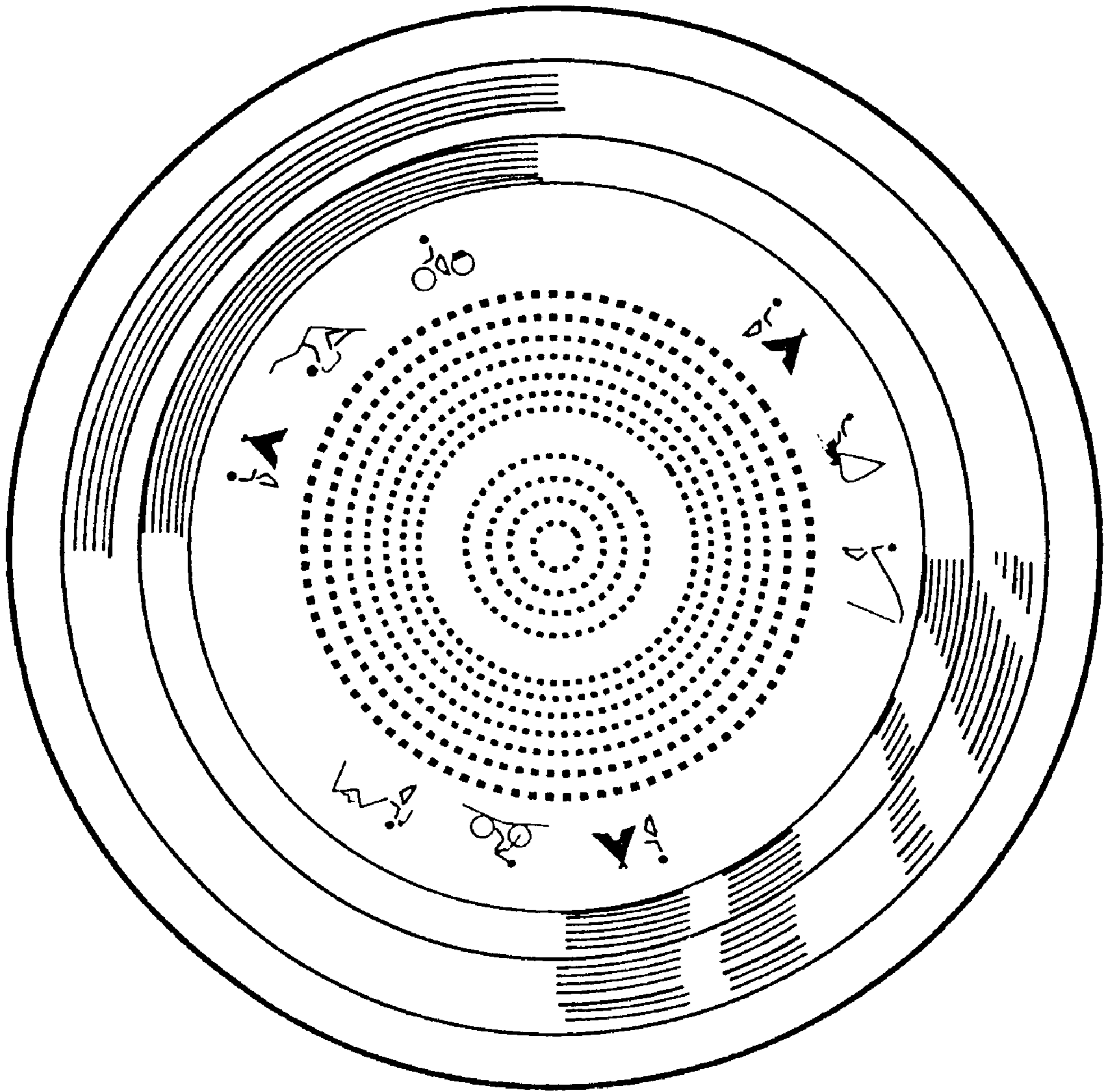


Fig. 11

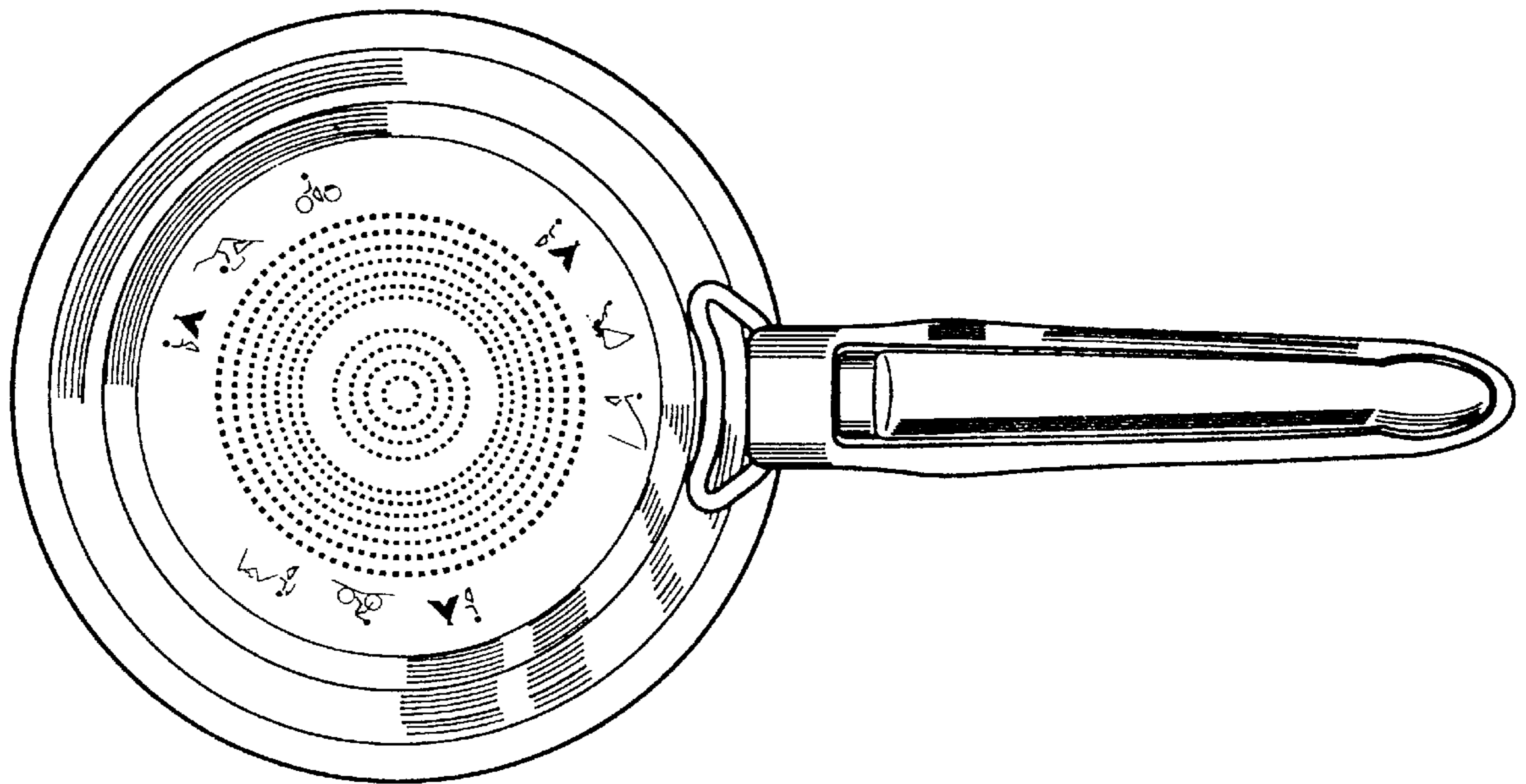


Fig. 12

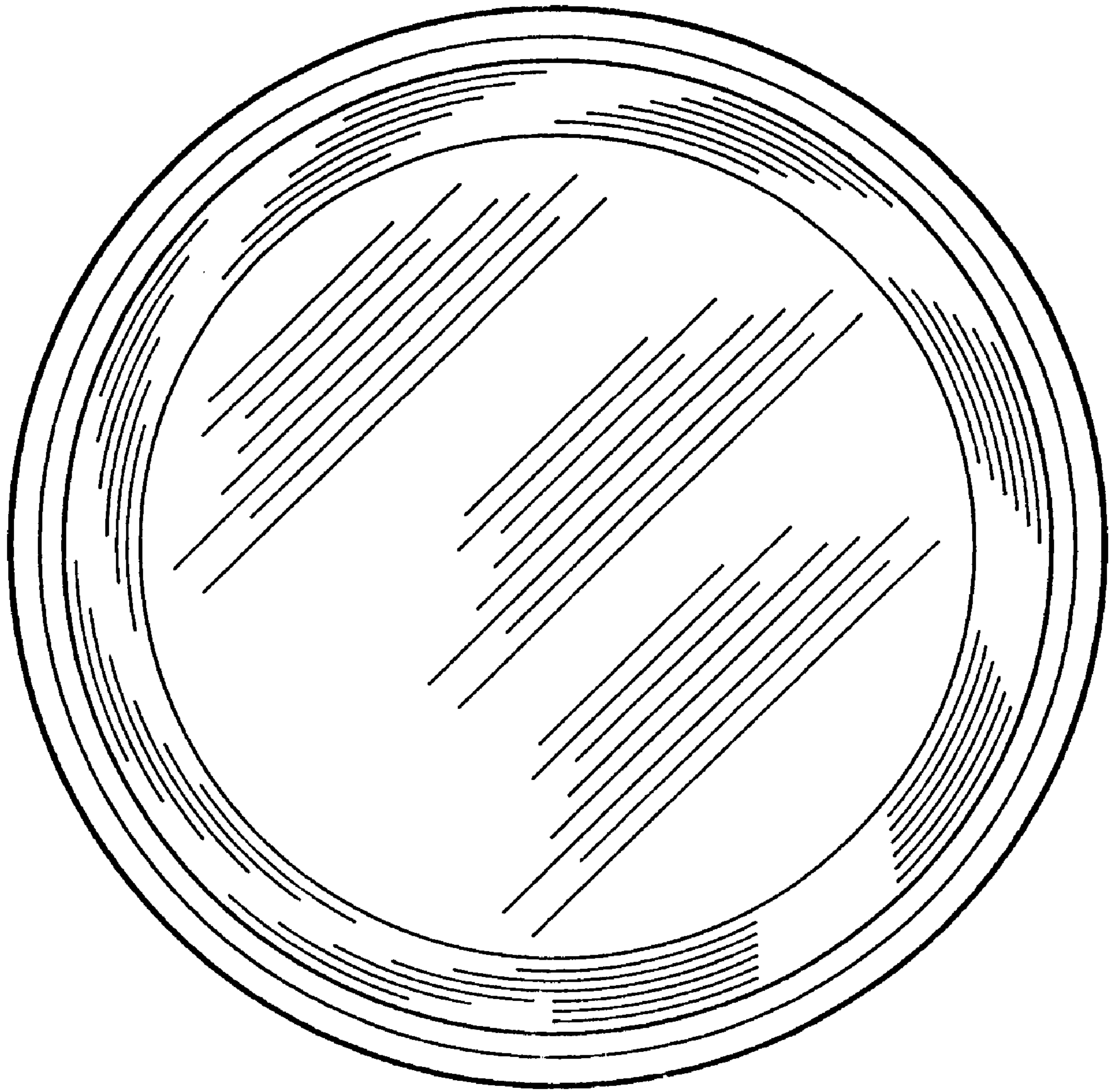


Fig. 13

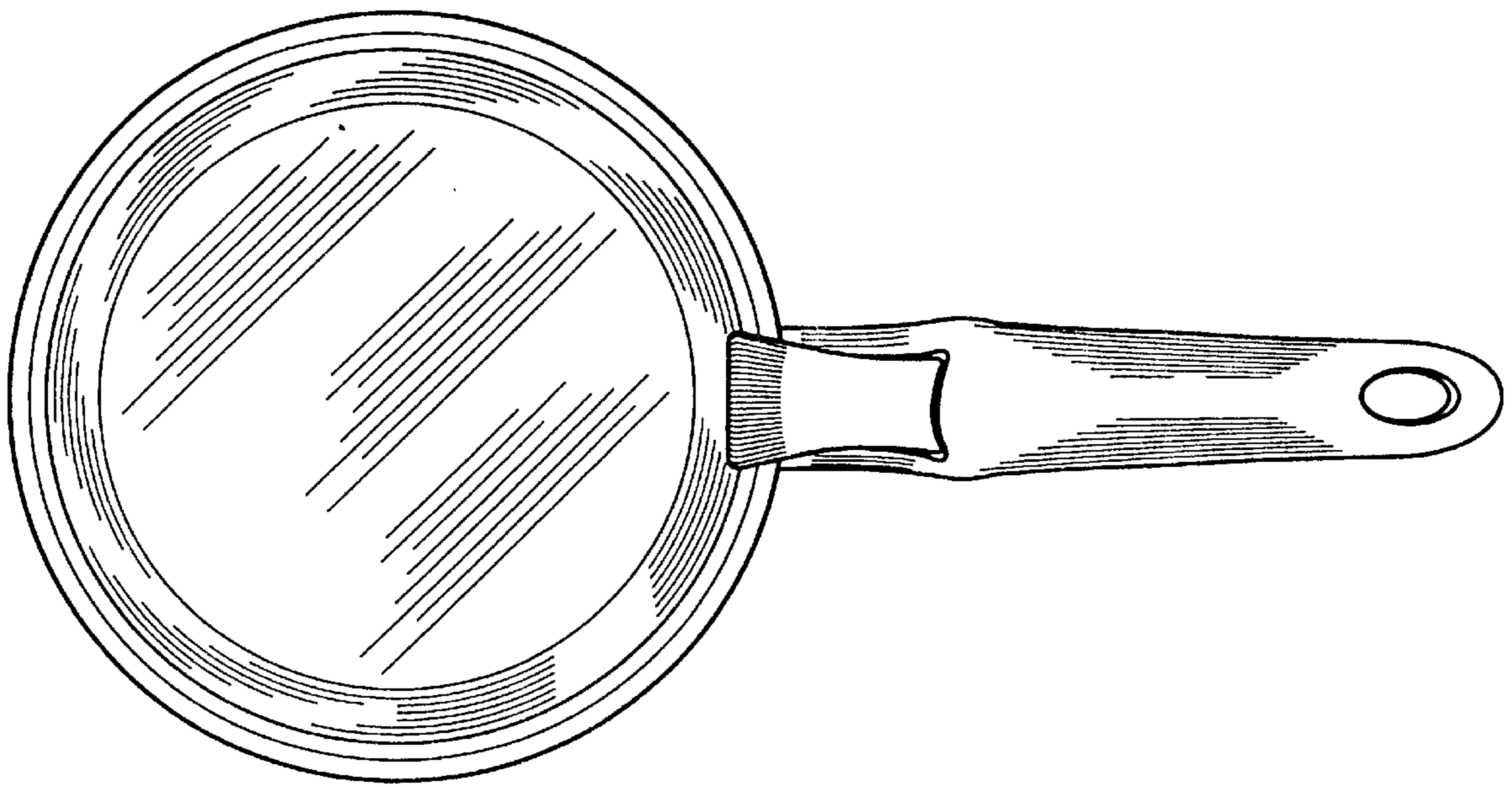


Fig. 14

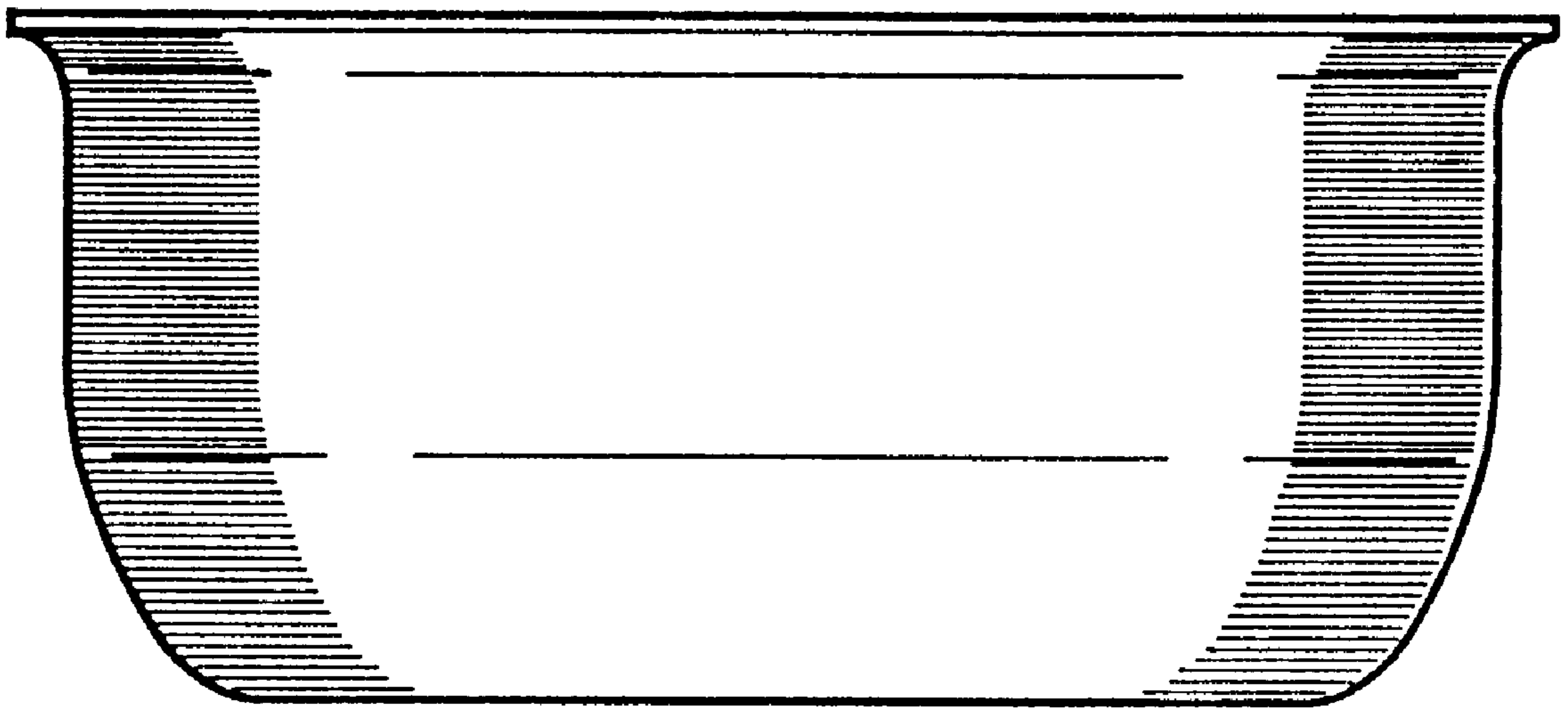


Fig. 15

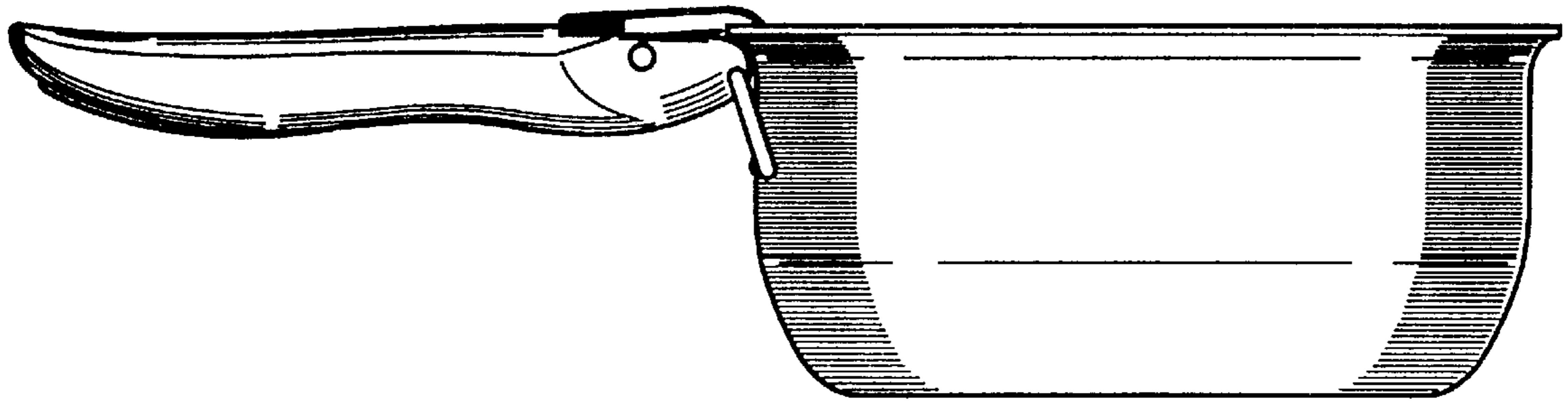


Fig. 16

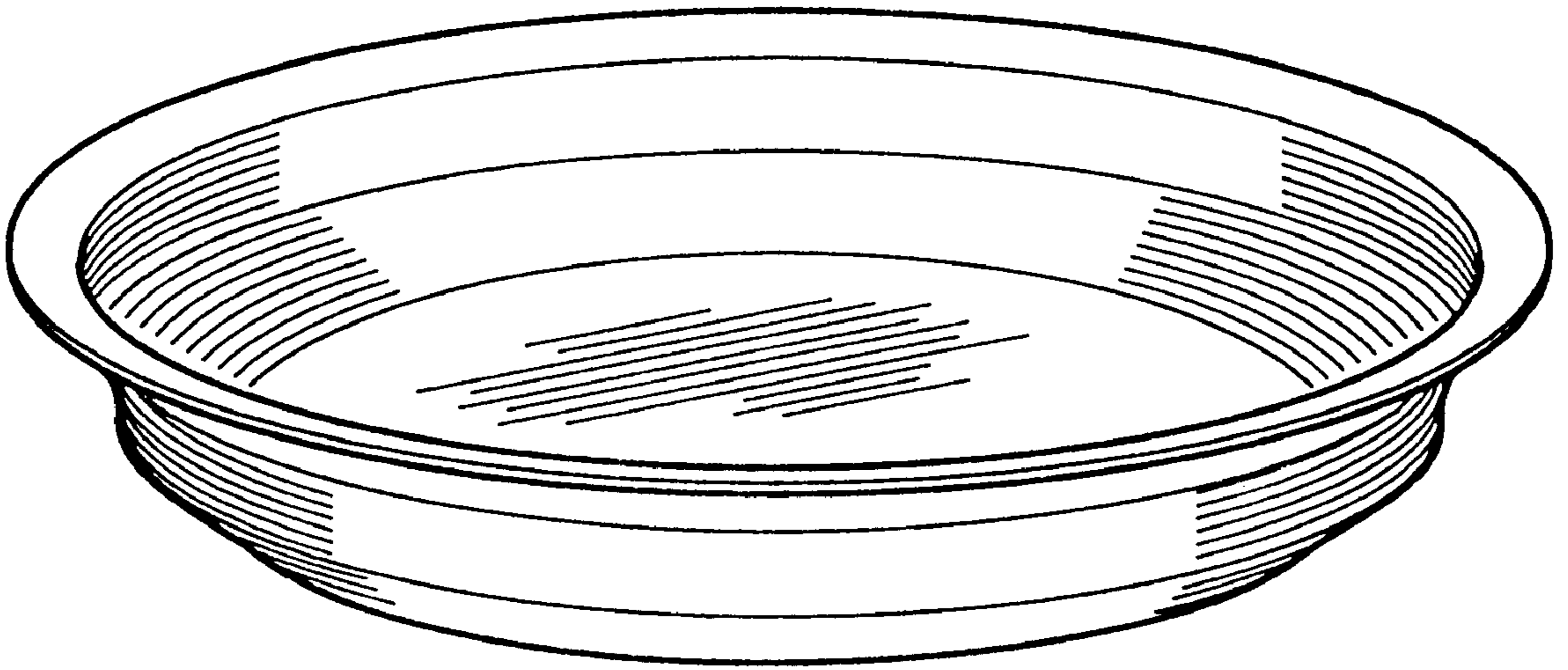


Fig. 17

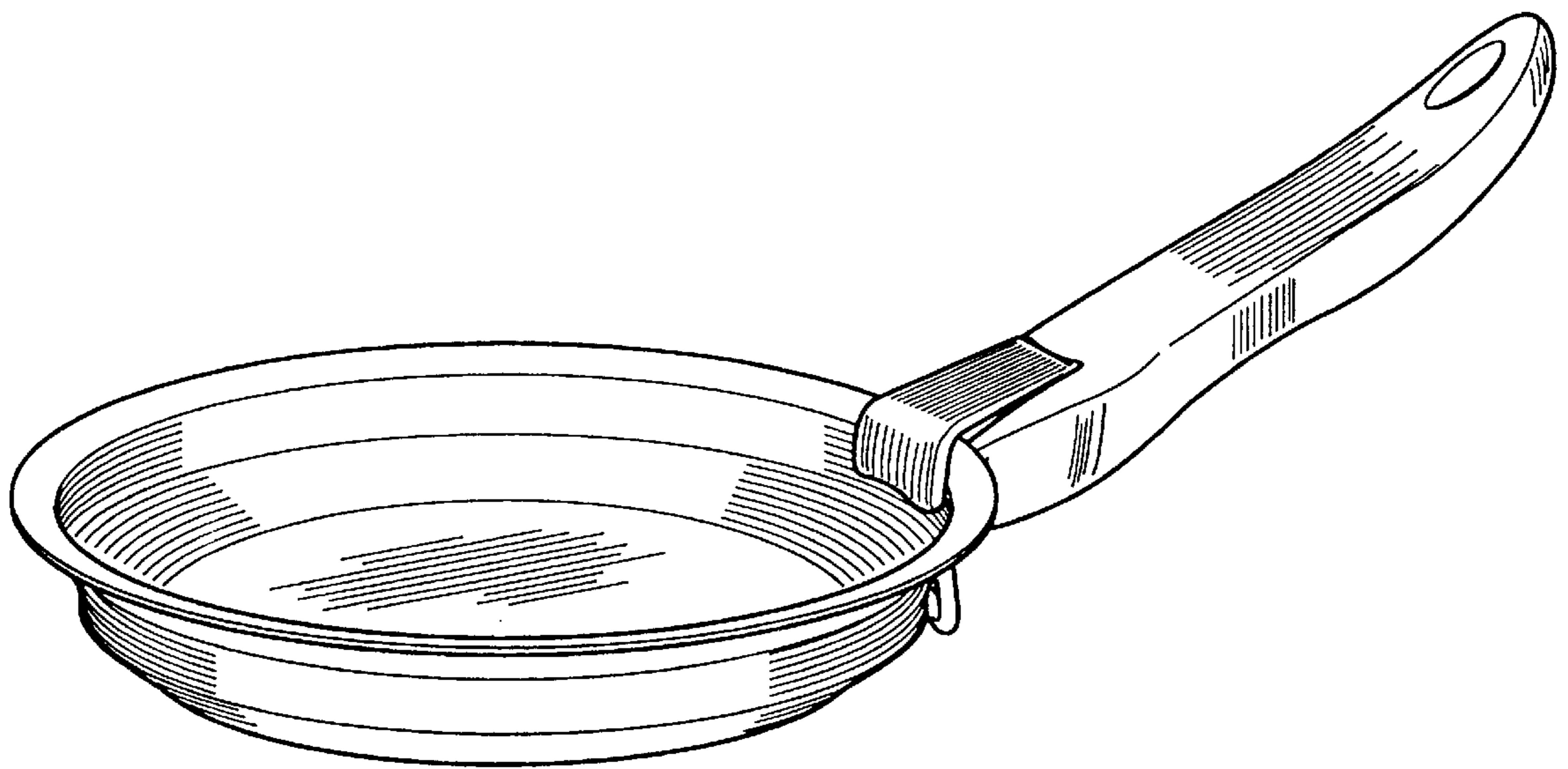


Fig. 18

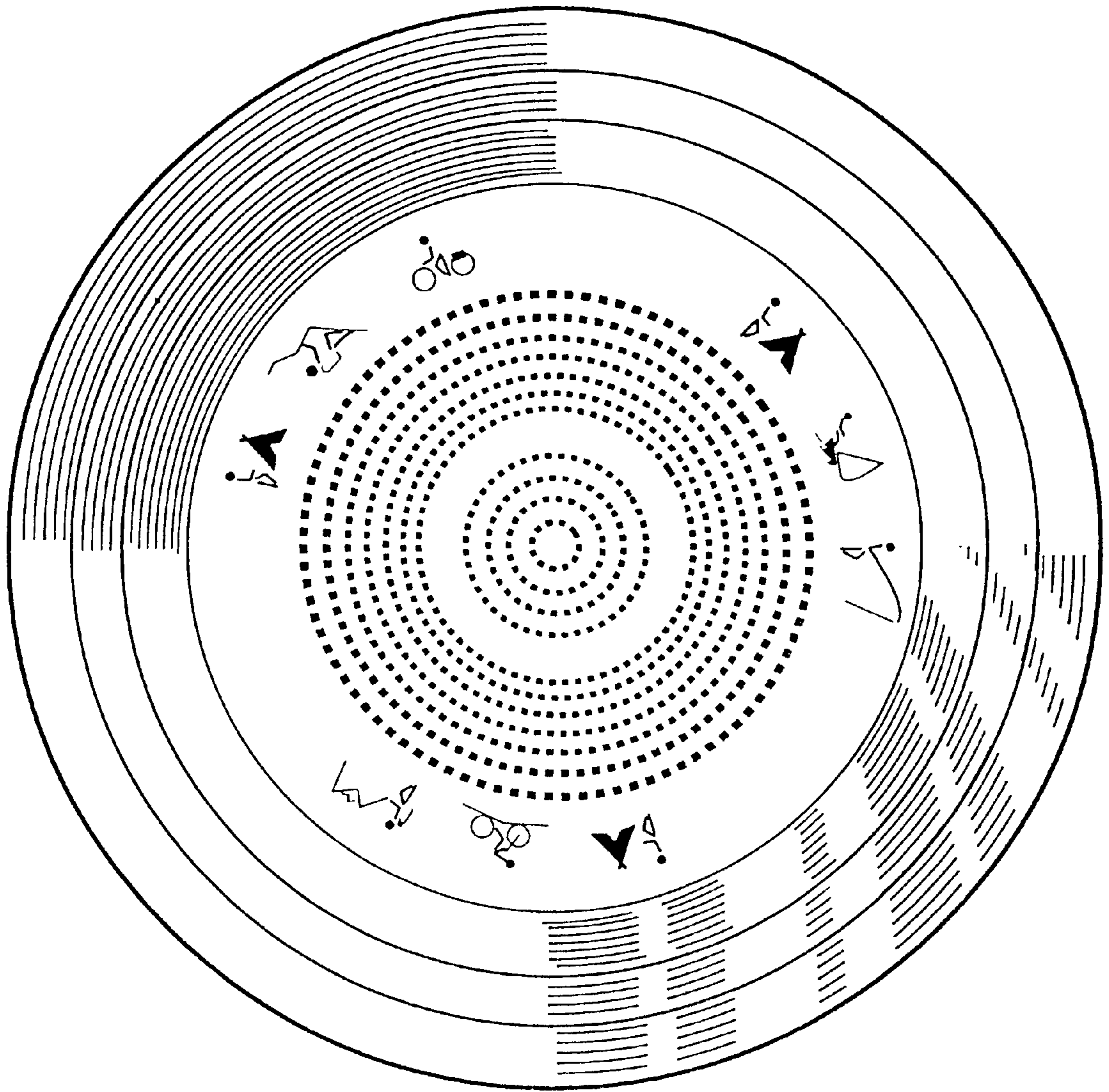


Fig. 19

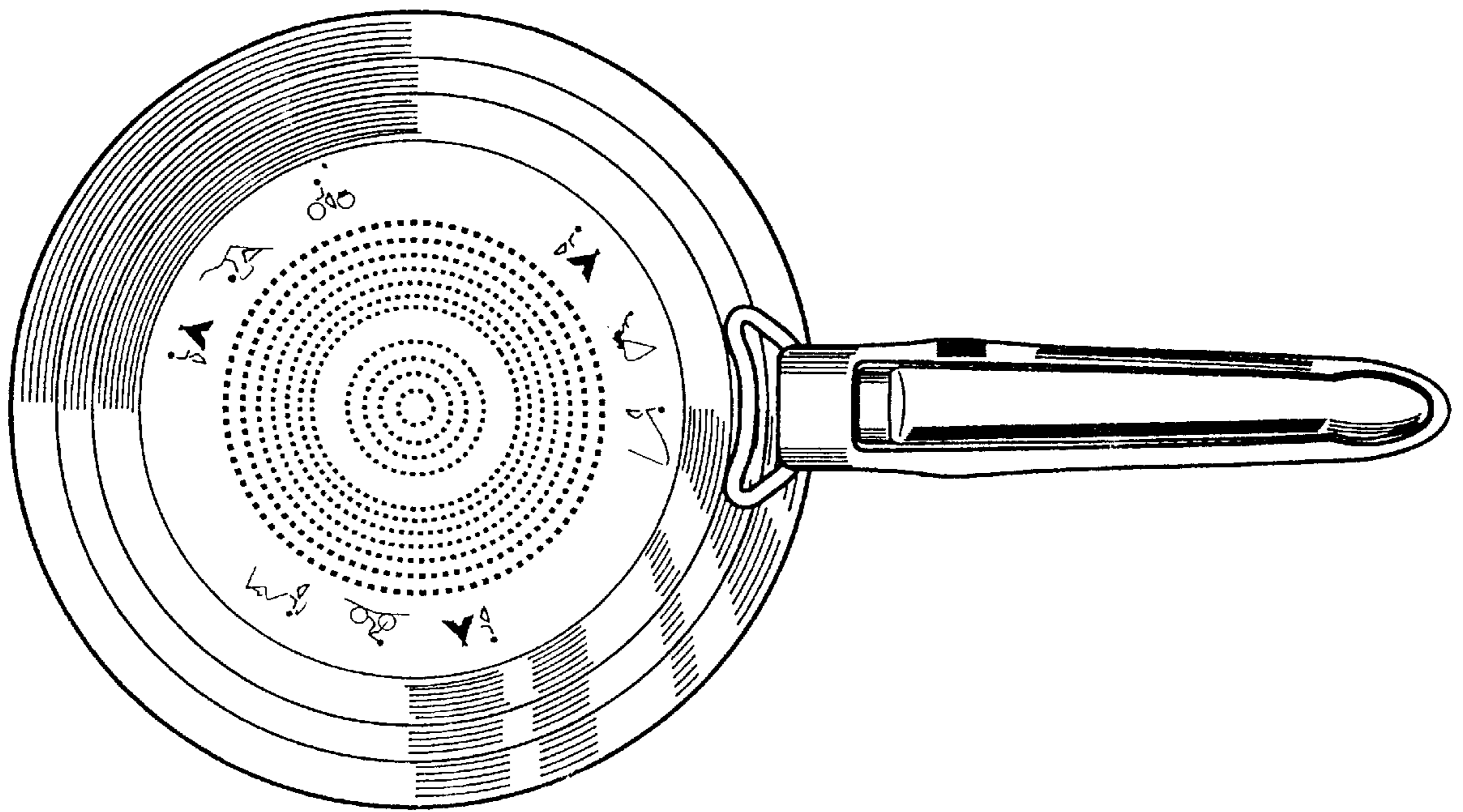


Fig. 20

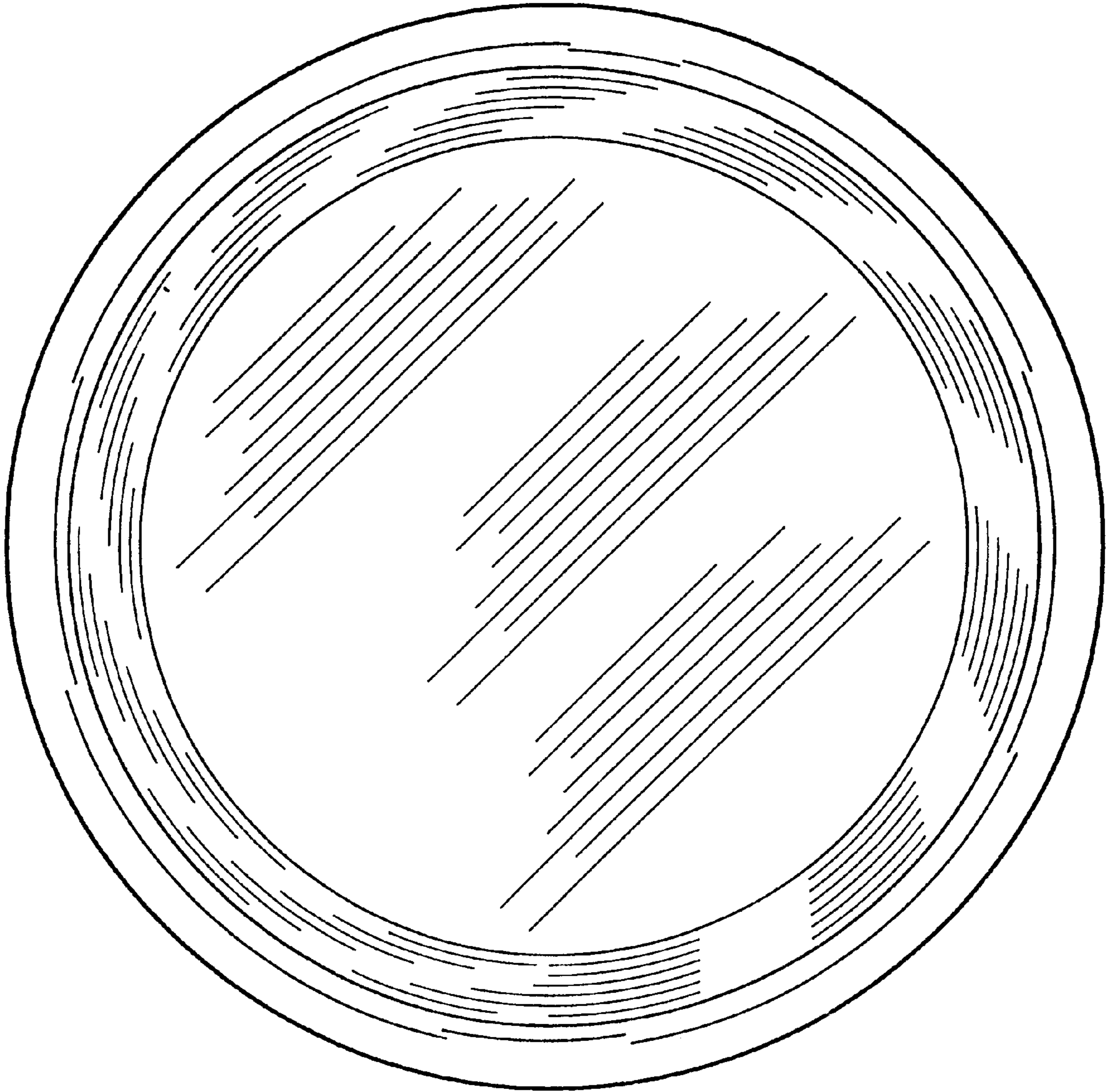


Fig. 21

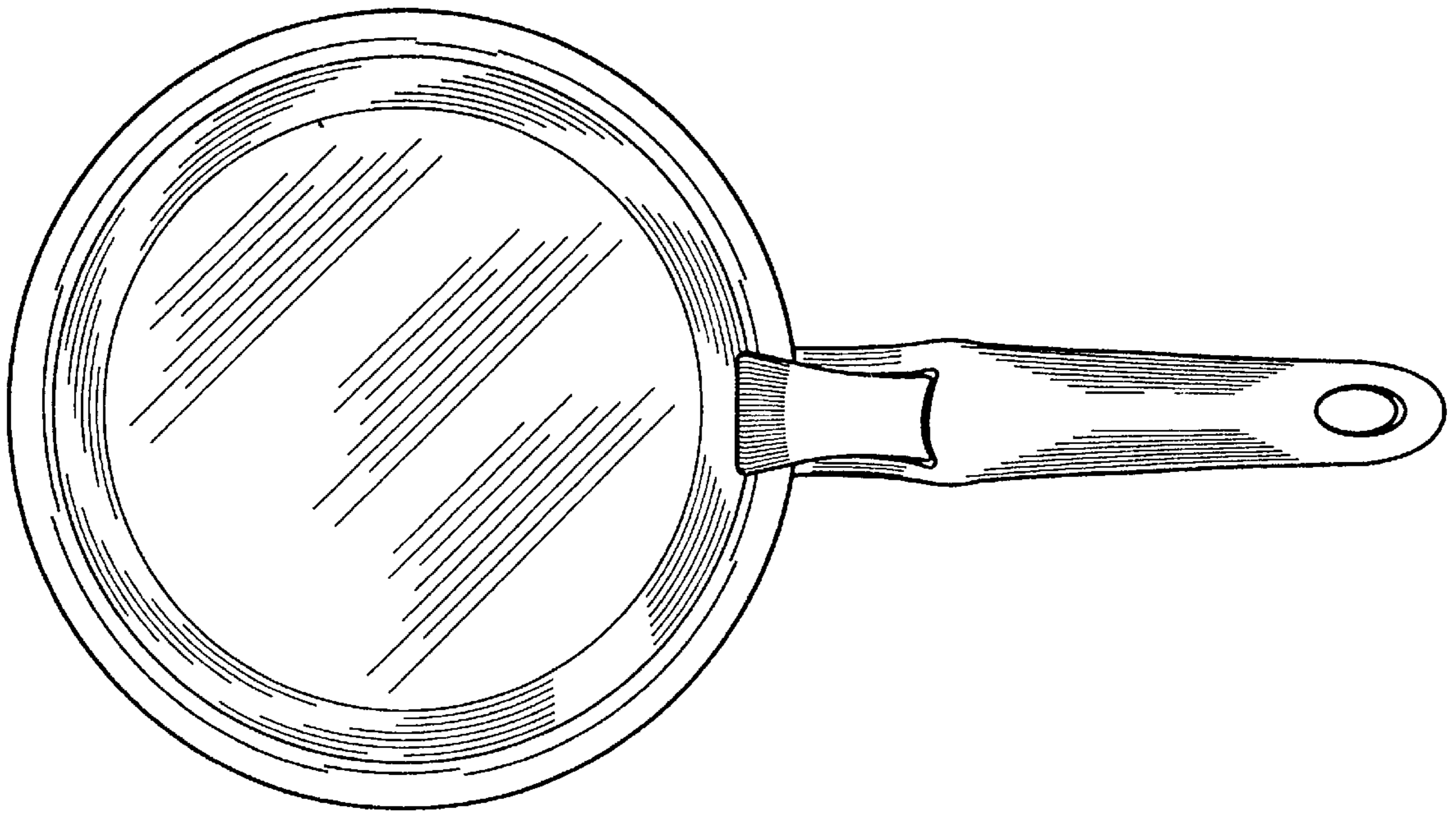


Fig. 22

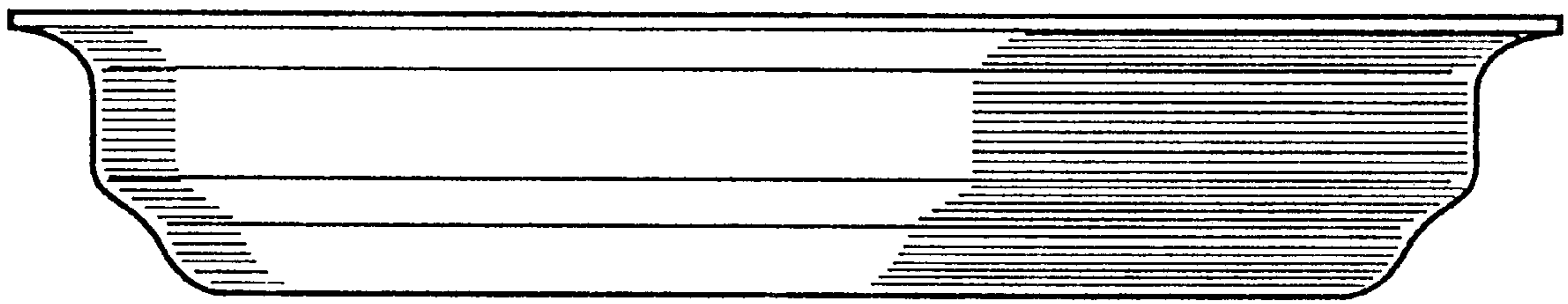


Fig. 23

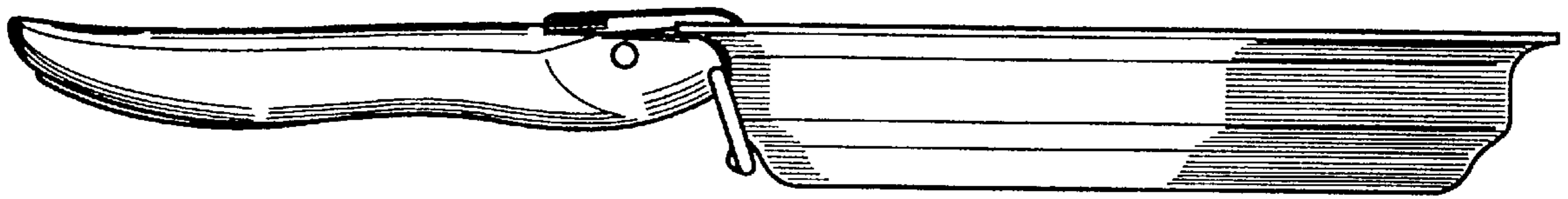


Fig. 24

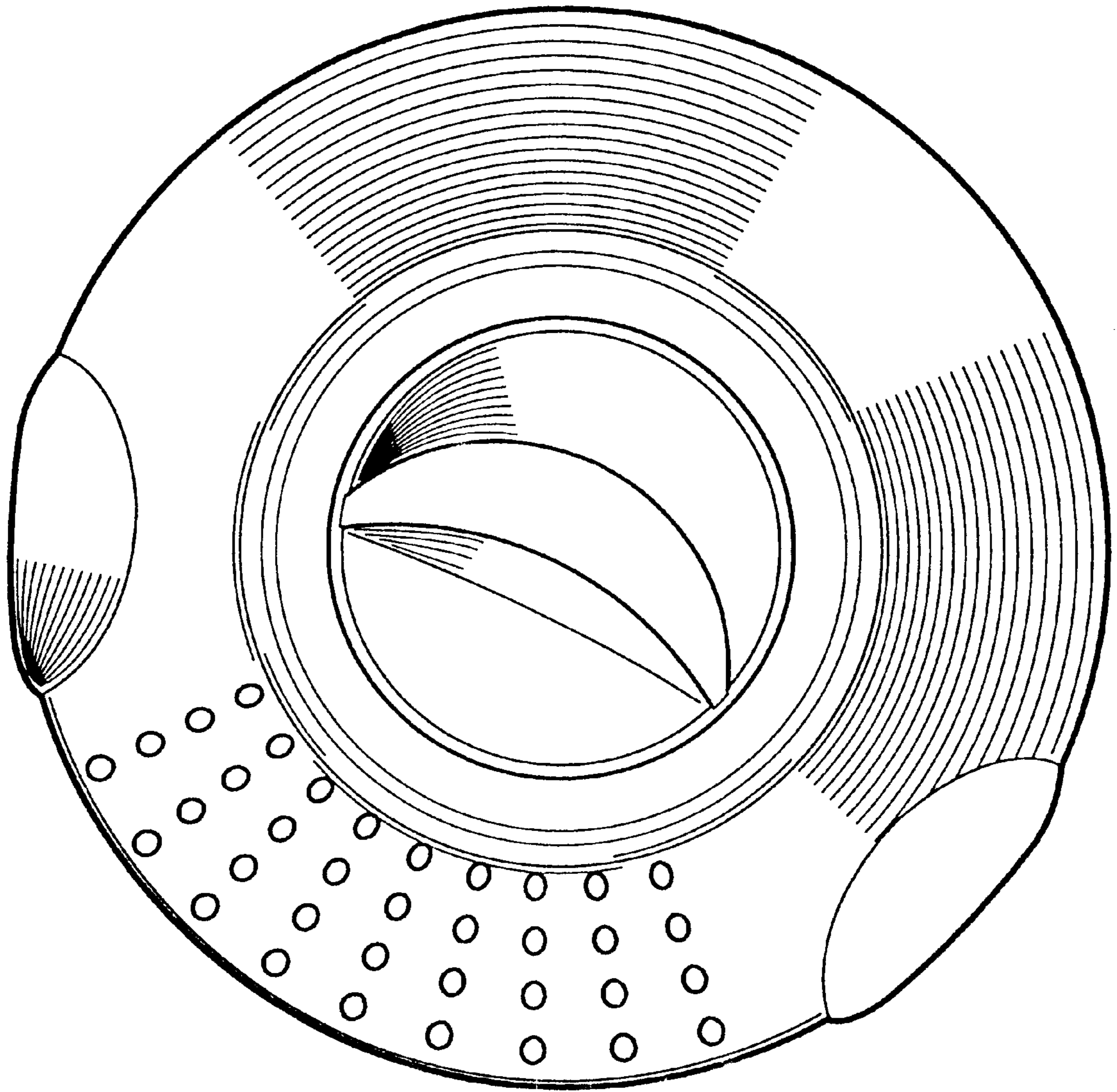


Fig. 25

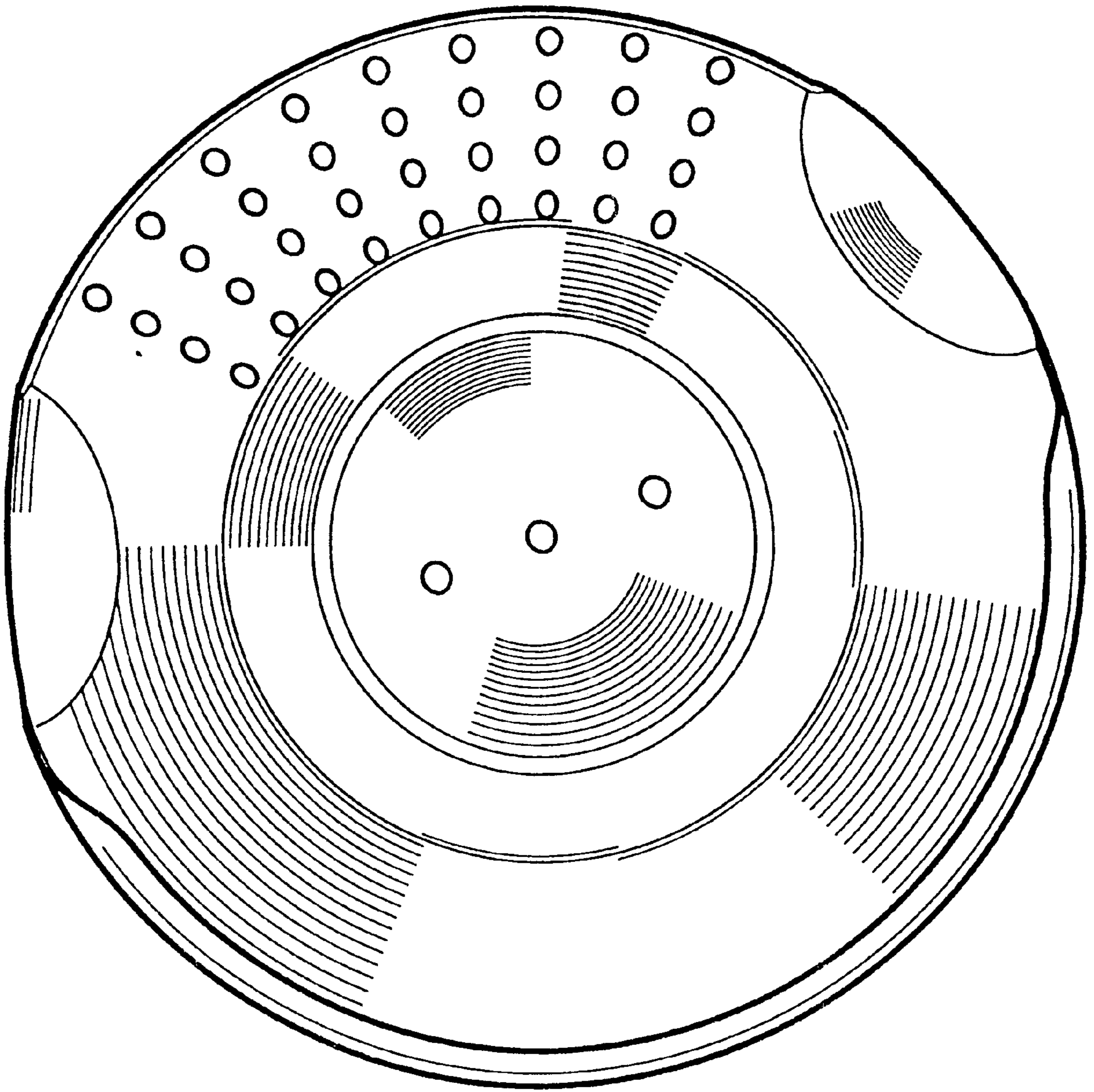


Fig. 26



Fig. 27



Fig. 28

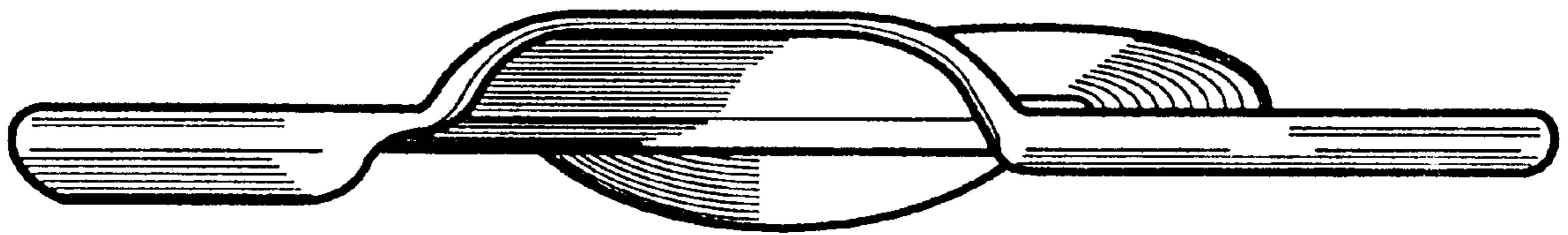


Fig. 29

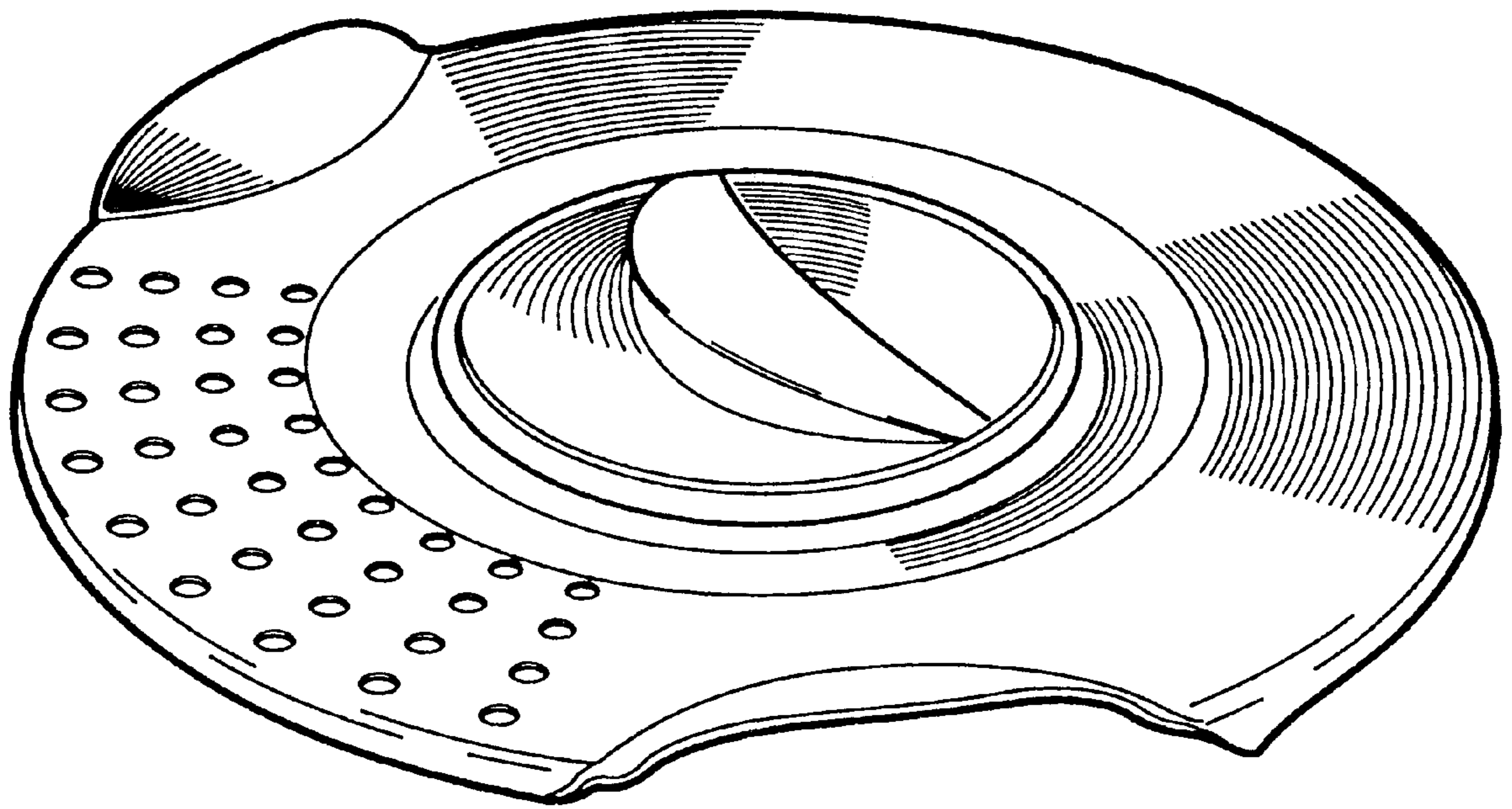


Fig. 30

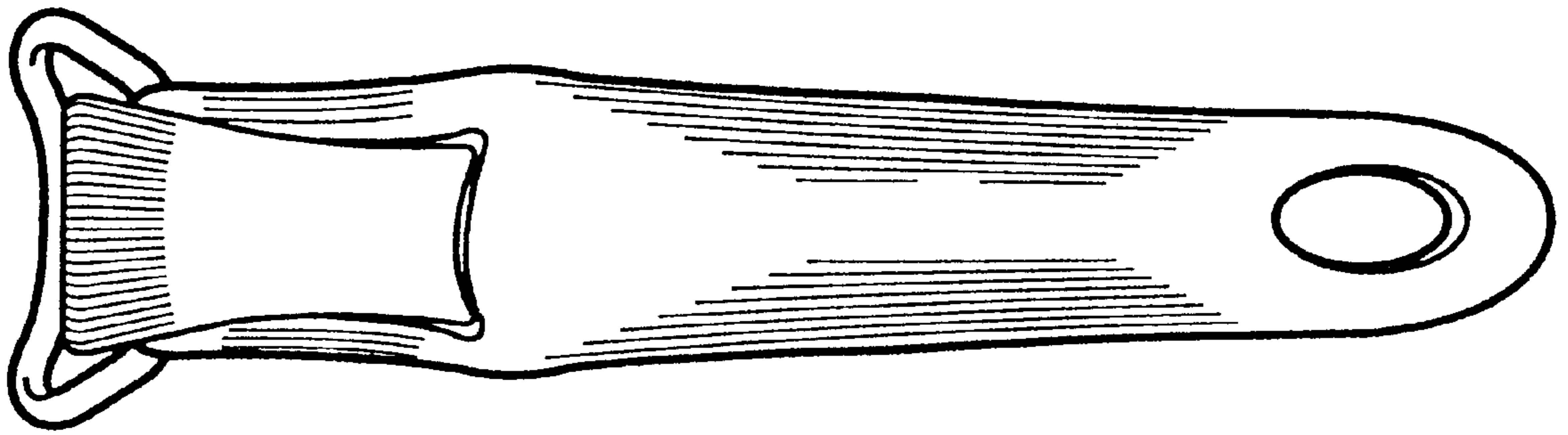


Fig. 31

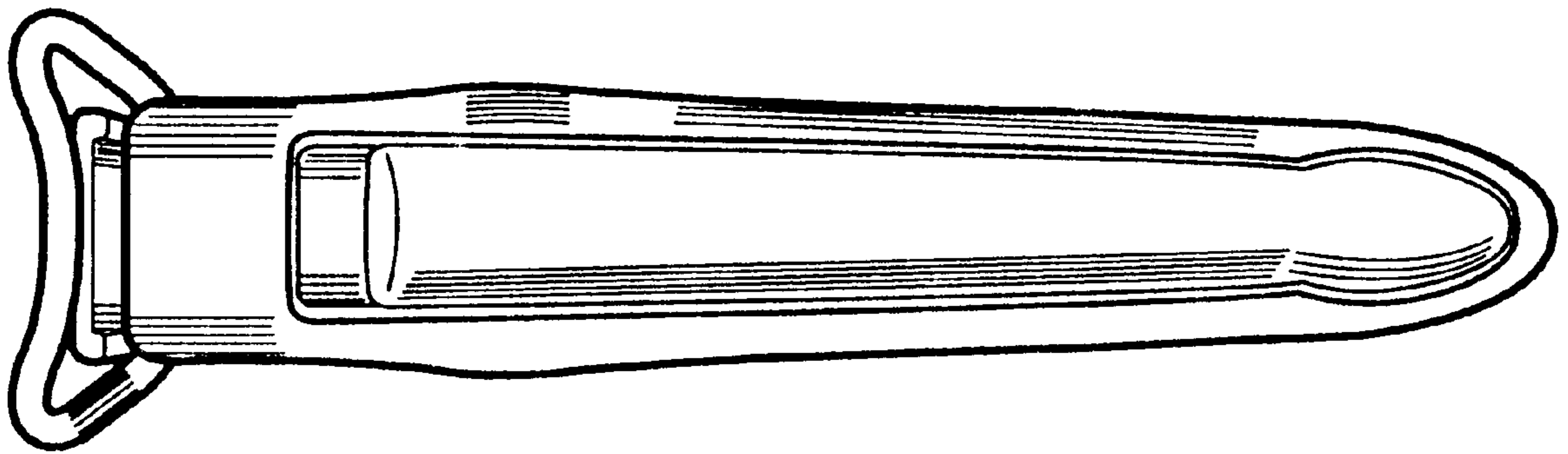


Fig. 32

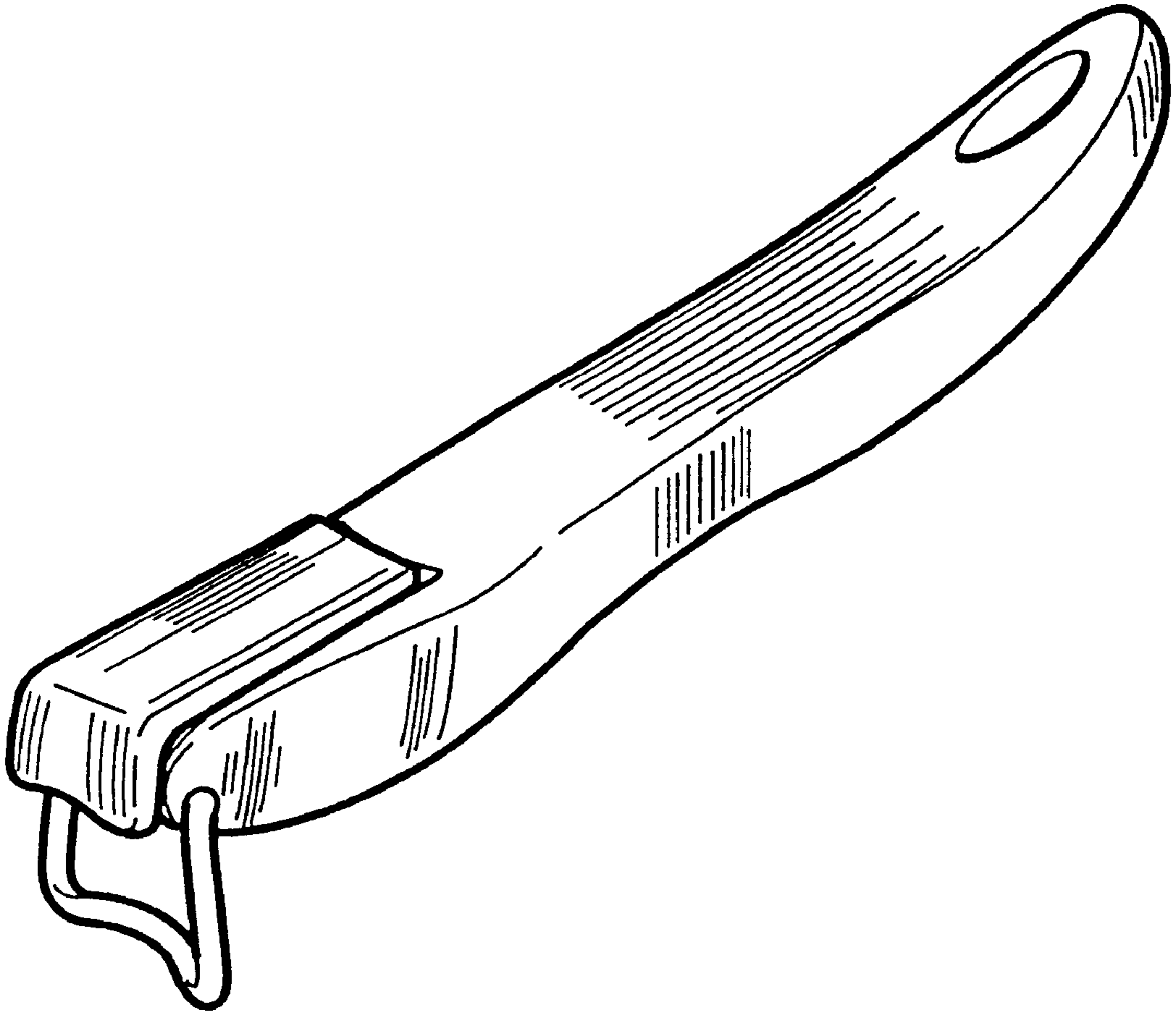


Fig. 33

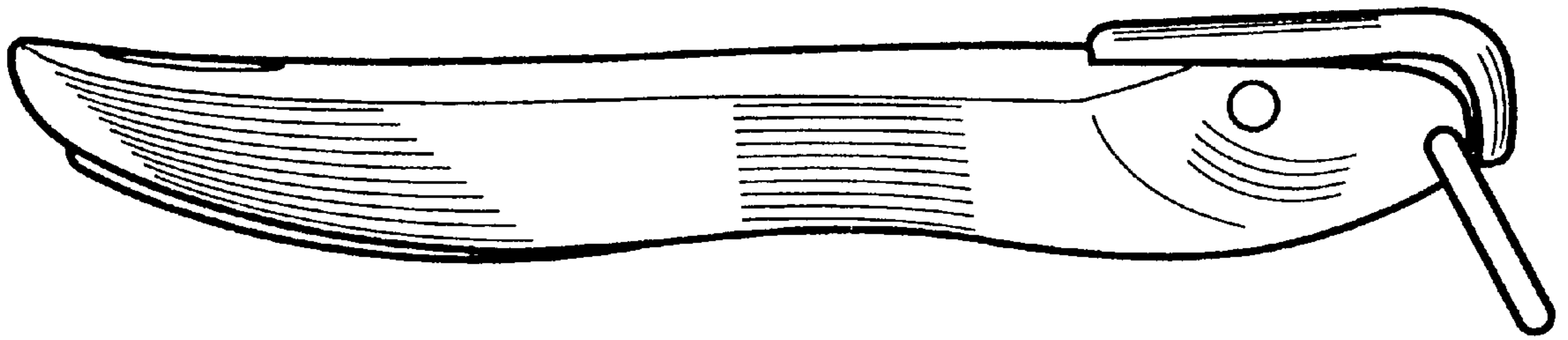


Fig. 34

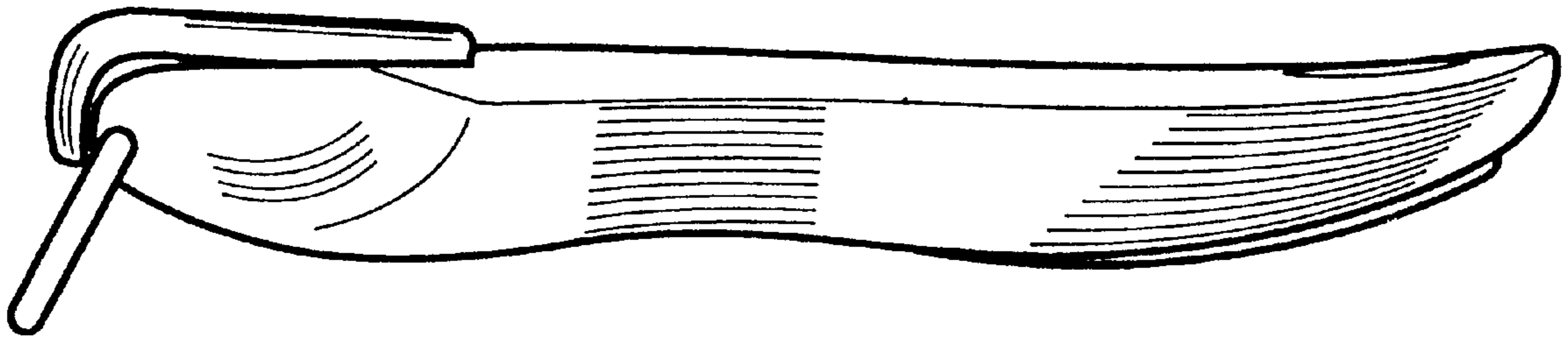


Fig. 35

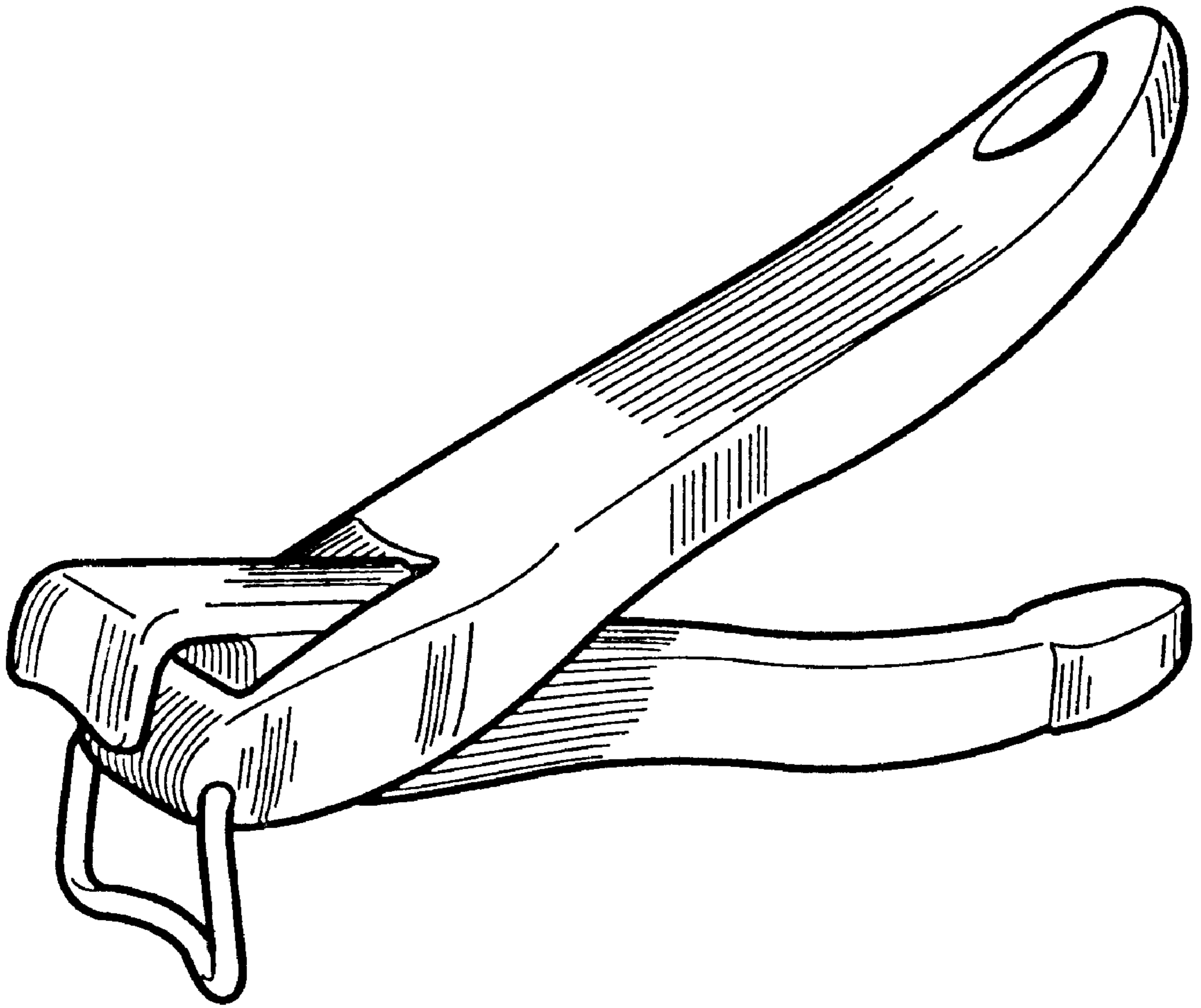


Fig. 36

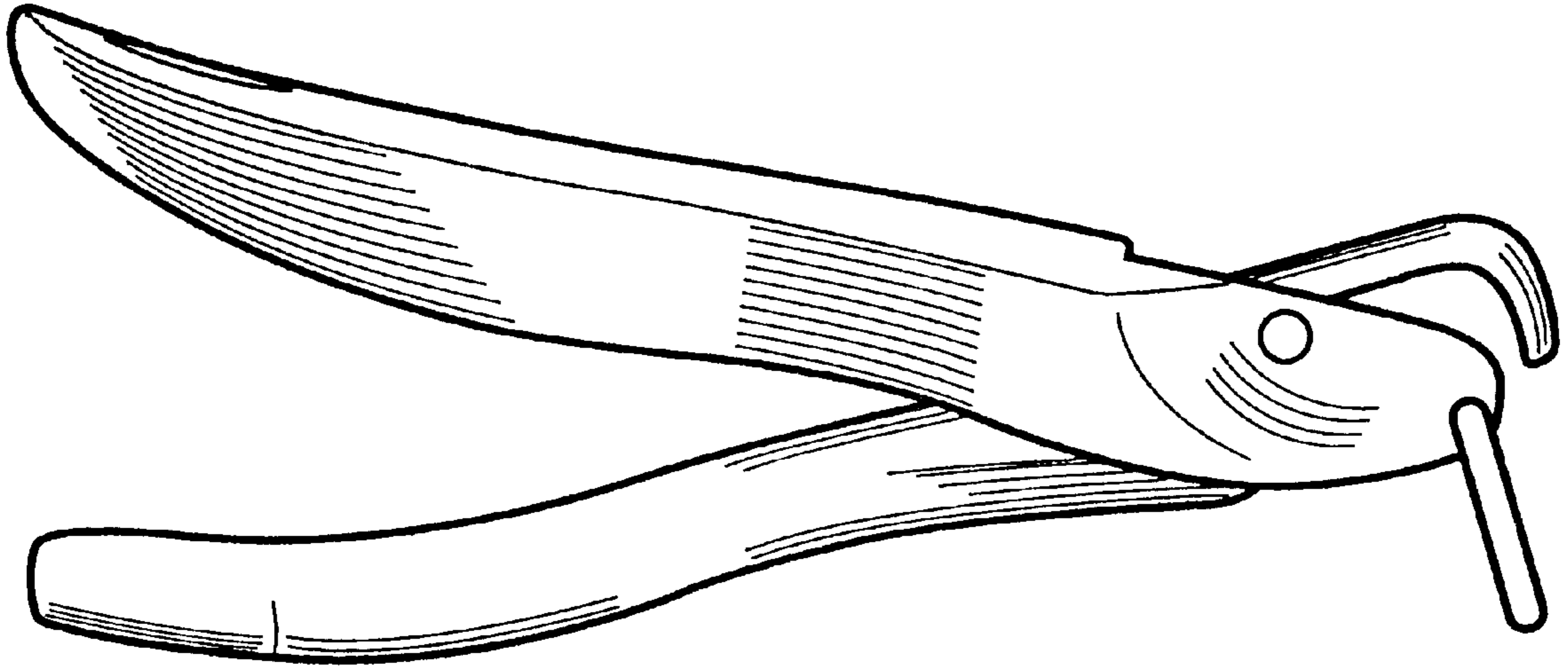


Fig. 37

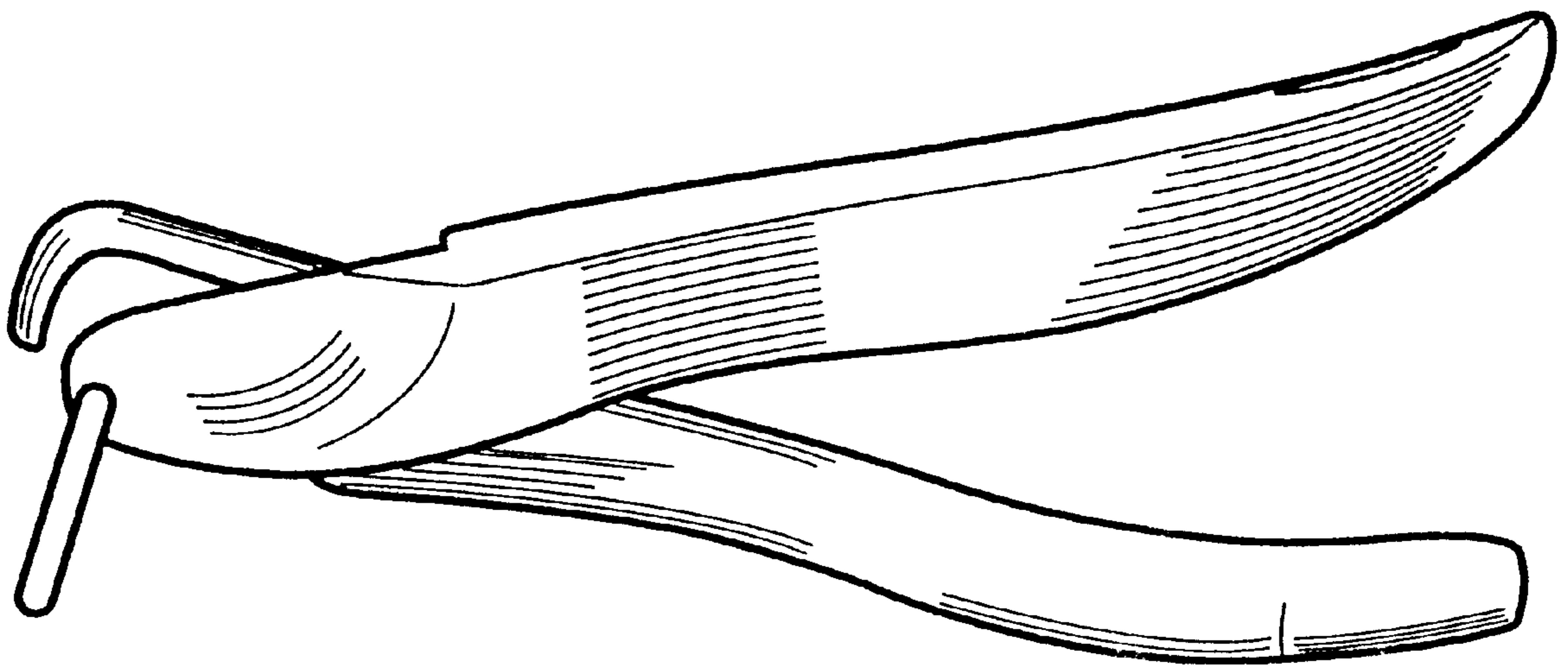


Fig. 38

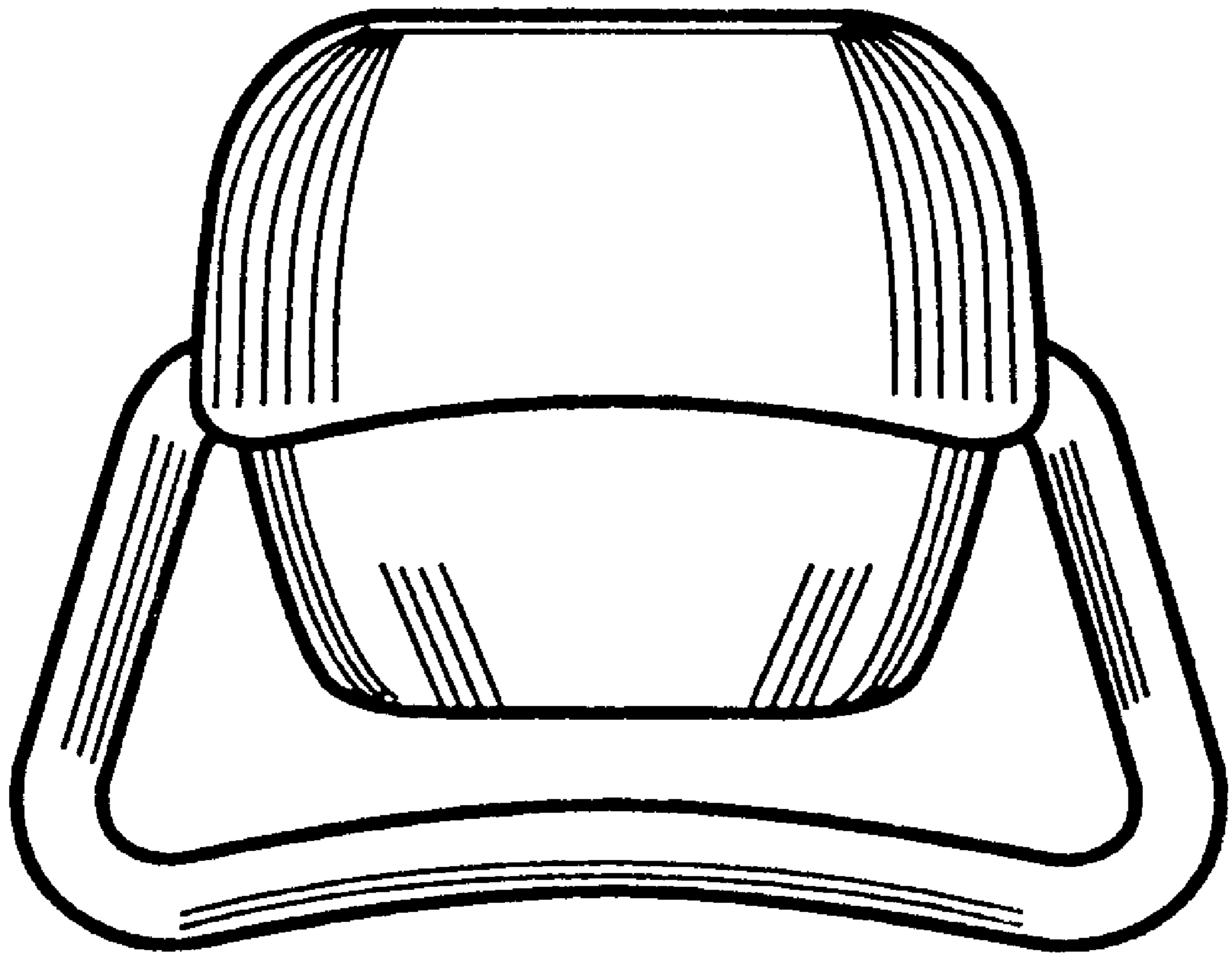


Fig. 39

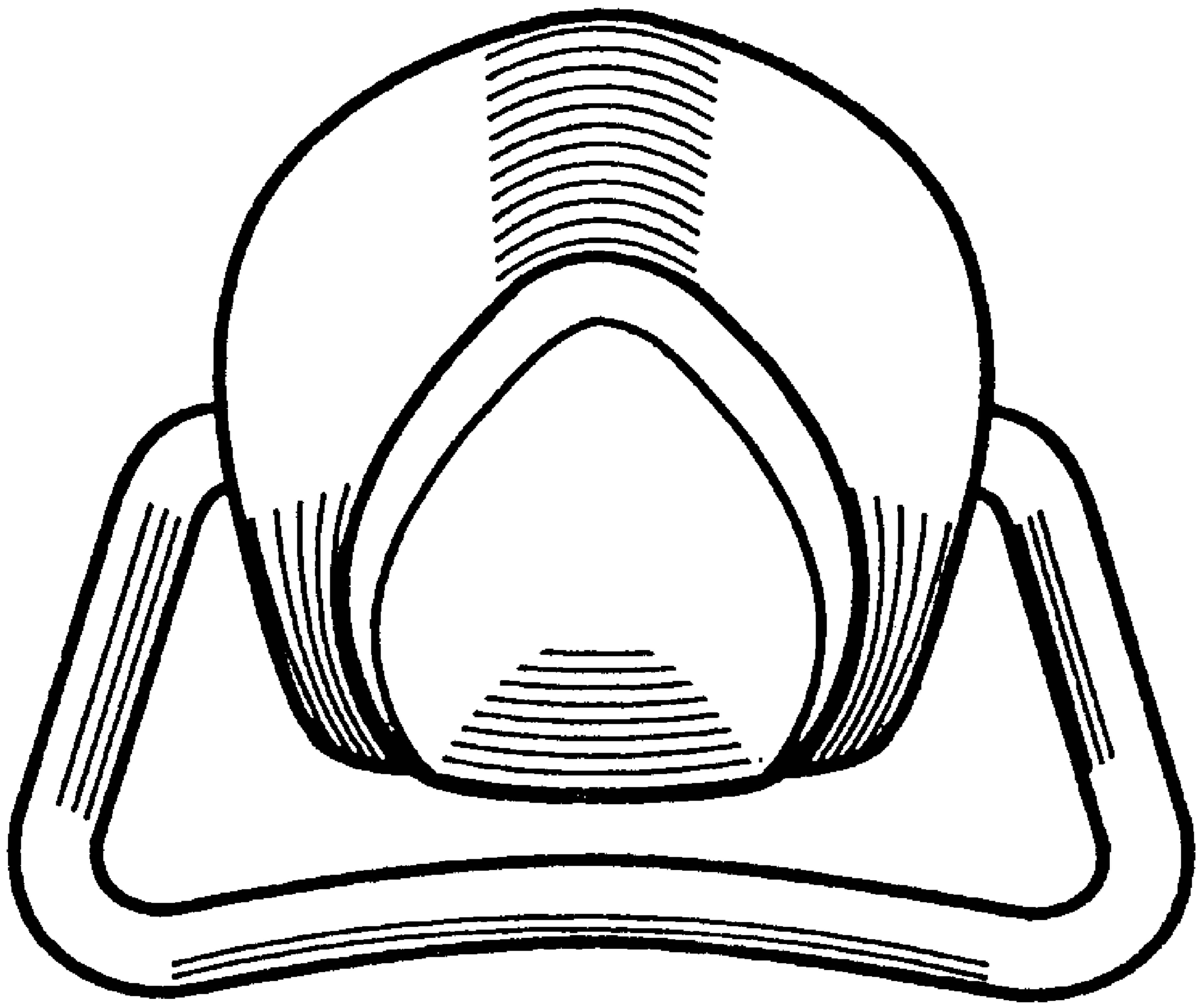


Fig. 40

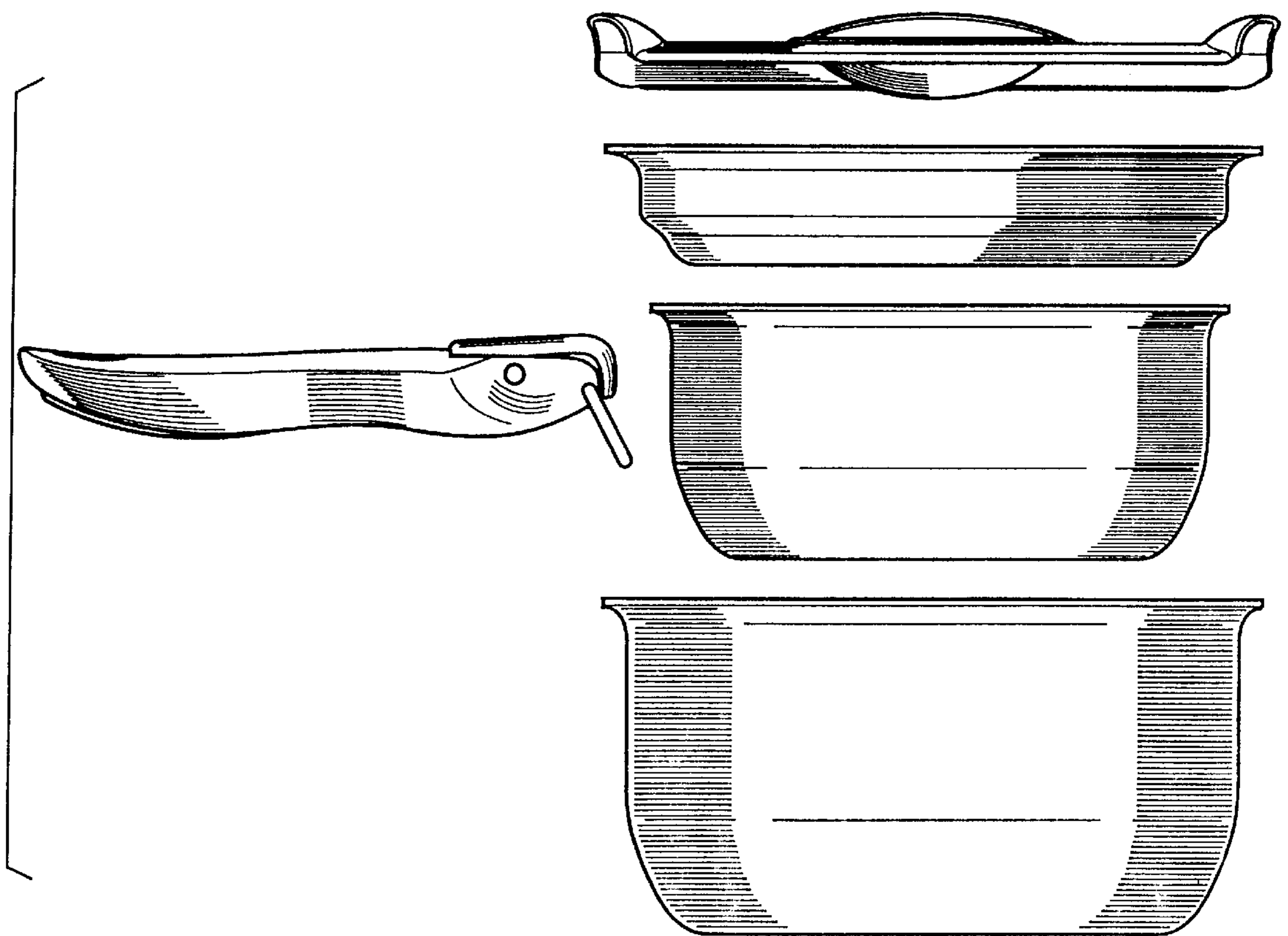


Fig. 41