



US00D414374S

United States Patent [19] Ting

[11] Patent Number: Des. 414,374

[45] Date of Patent: ** Sep. 28, 1999

[54] BARBEQUE GRILL

[75] Inventor: Lap-Yan Ting, Taipei, Taiwan

[73] Assignee: Atico International USA, Inc., Ft. Lauderdale, Fla.

[**] Term: 14 Years

[21] Appl. No.: 29/068,961

[22] Filed: Apr. 16, 1997

Related U.S. Application Data

[60] Continuation-in-part of application No. 29/062,580, Nov. 19, 1996, which is a division of application No. 29/033,196, Jan. 6, 1995, Pat. No. Des. 376,510.

[51] LOC (6) Cl. 07-02

[52] U.S. Cl. D7/334

[58] Field of Search D7/332-337, 402-404; 126/25 R, 25 A, 25 AA, 29-30

[56] References Cited

U.S. PATENT DOCUMENTS

D. 171,639	3/1954	Clemens, Jr.	D7/332
D. 284,929	8/1986	Schlosser et al.	D7/332
D. 315,079	3/1991	Jui-Yen	D7/334
D. 376,510	12/1996	Ting	D7/332
D. 381,860	8/1997	Chiang	D7/334
4,463,746	8/1984	Knuth et al.	126/25 R
4,630,593	12/1986	Gremillion	126/25 R
4,741,322	5/1988	Lin	126/25 R
5,036,832	8/1991	Schlosser et al.	D7/334
5,111,802	5/1992	Lin	126/25 R
5,159,917	11/1992	Archer et al.	126/25 R
5,299,553	4/1994	Giebel et al.	126/25 R

OTHER PUBLICATIONS

Atico International USA, Inc.; Photograph of Item #W50A2042, first sold Mar. 16, 1990.

Atico International USA, Inc.; Photograph of Item #W50A2057, first sold Dec. 31, 1994.

Atico International USA, Inc.; Photograph of Item #W50A2096, first sold Jan. 26, 1995.

Atico International USA, Inc.; Photograph of Item #W50A2098, first sold Feb. 10, 1996.

Atico International USA, Inc.; Photographs of Different Views of Item Nos. W50A2098; W50A2042; W50A2057 and W50A2098.

Atico International USA, Inc., Item #W50A2042, first sold Mar. 16, 1990 (One Photo, One Drawing).

Atico International USA, Inc., Item #W50A2057, first sold Dec. 31, 1994.

Atico International USA, Inc., Item #W50A2096, first sold Jan. 26, 1995.

Atico International USA, Inc., Item #W50A2098, first sold Feb. 10, 1996.

Primary Examiner—Ruth McInroy

Assistant Examiner—C. Styles

Attorney, Agent, or Firm—Cobrin & Gittes

[57] CLAIM

The ornamental design for a barbecue grill, as shown and described.

DESCRIPTION

FIG. 1 is a top, front perspective view of a barbecue grill showing my new design;

FIG. 2 is a front view thereof;

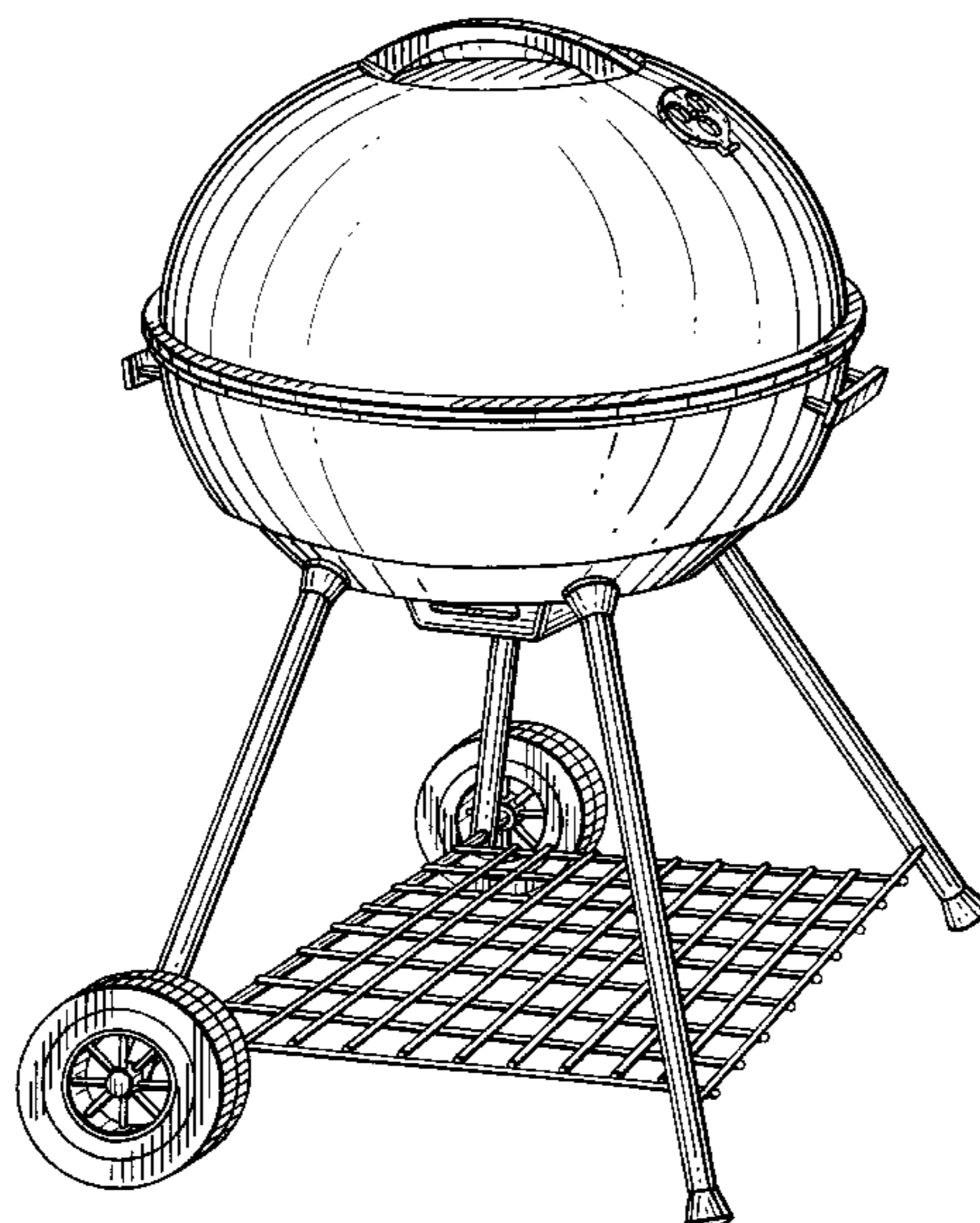
FIG. 3 is a right side view thereof, the left side being a mirror image thereof;

FIG. 4 is a top plan view thereof;

FIG. 5 is a bottom plan view, the lower portion of the stand not depicted for clarity of illustration only; and,

FIG. 6 is a bottom plan view thereof with the grill depicted.

1 Claim, 6 Drawing Sheets



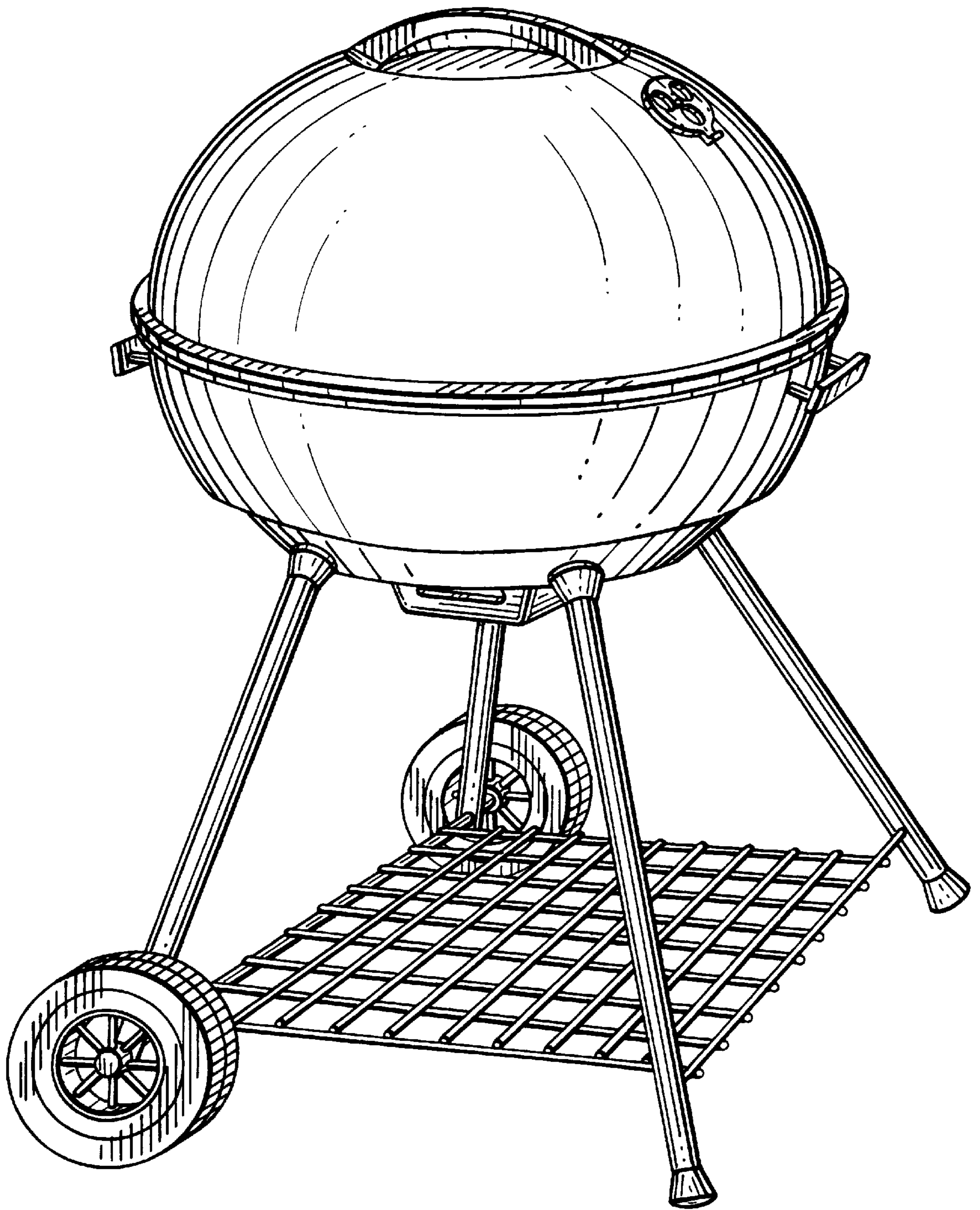
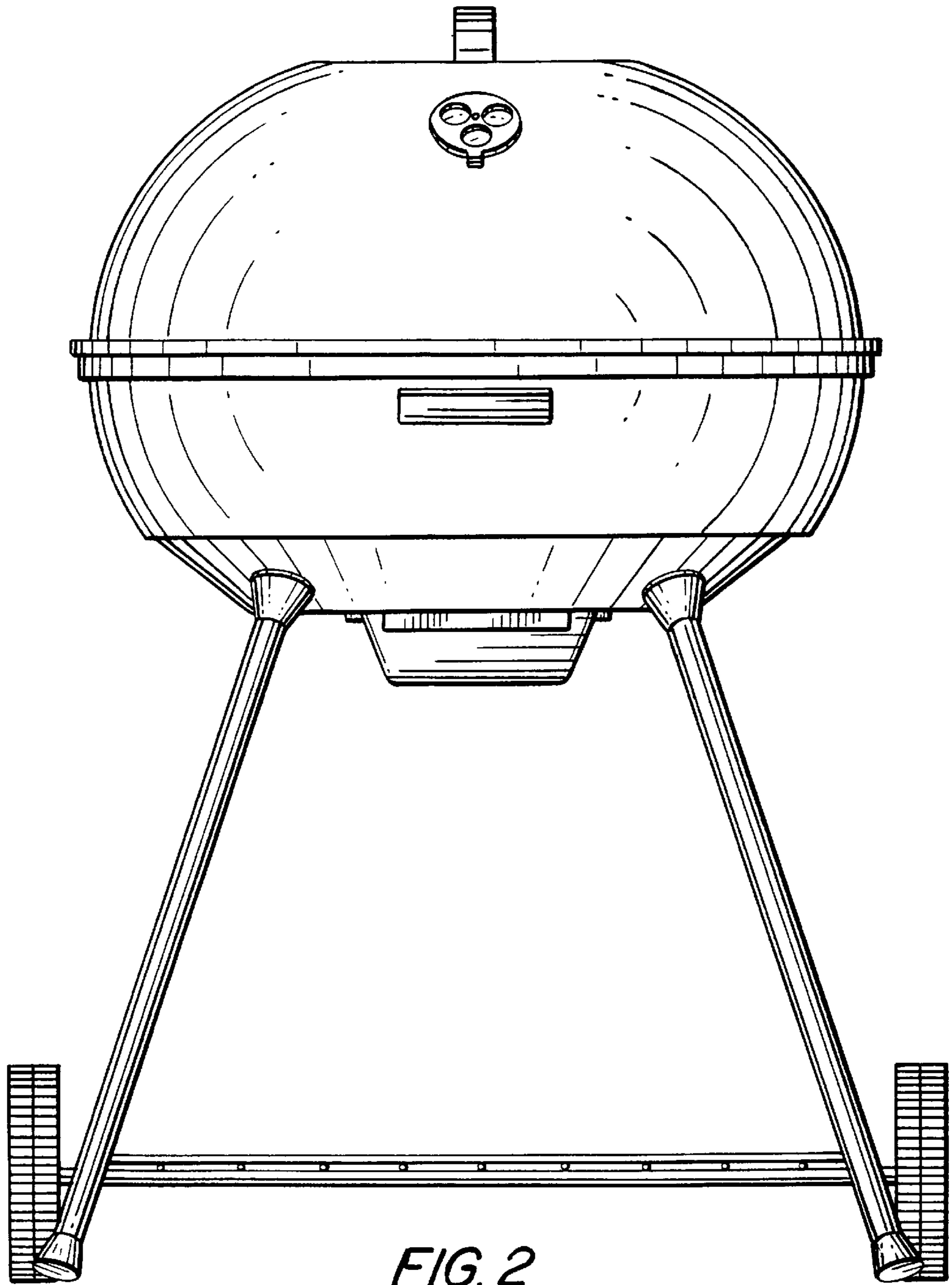


FIG 1



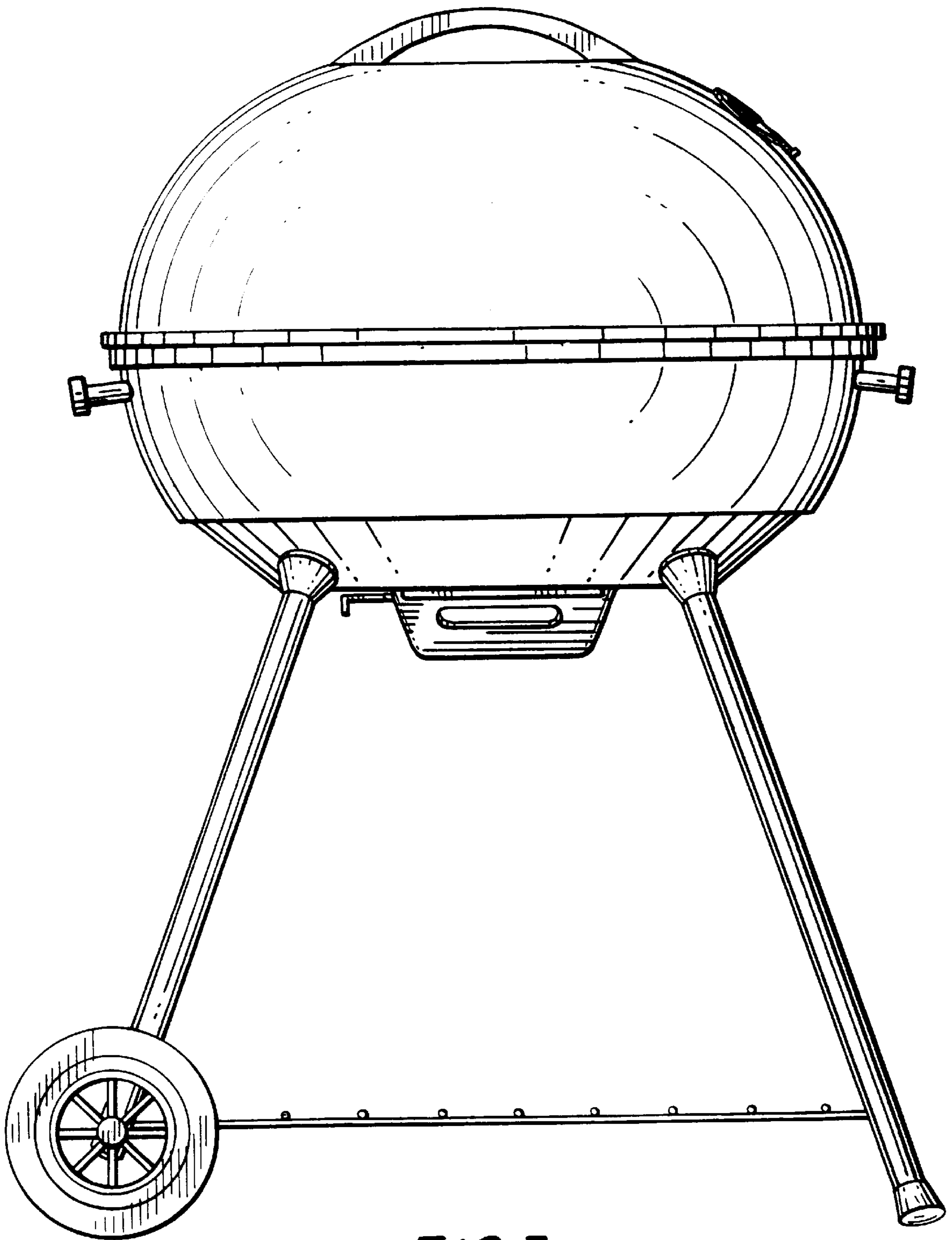


FIG. 3

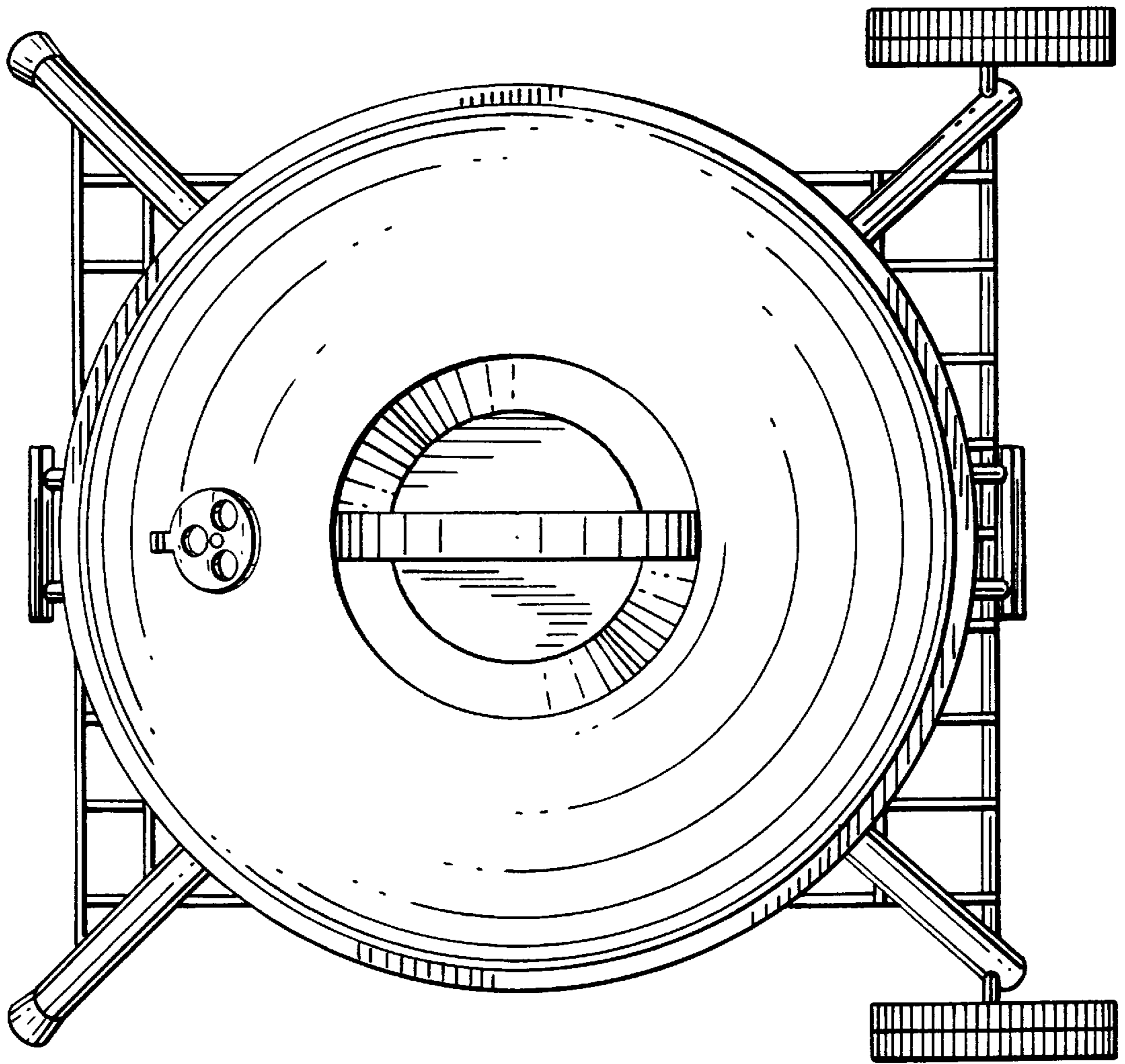


FIG. 4

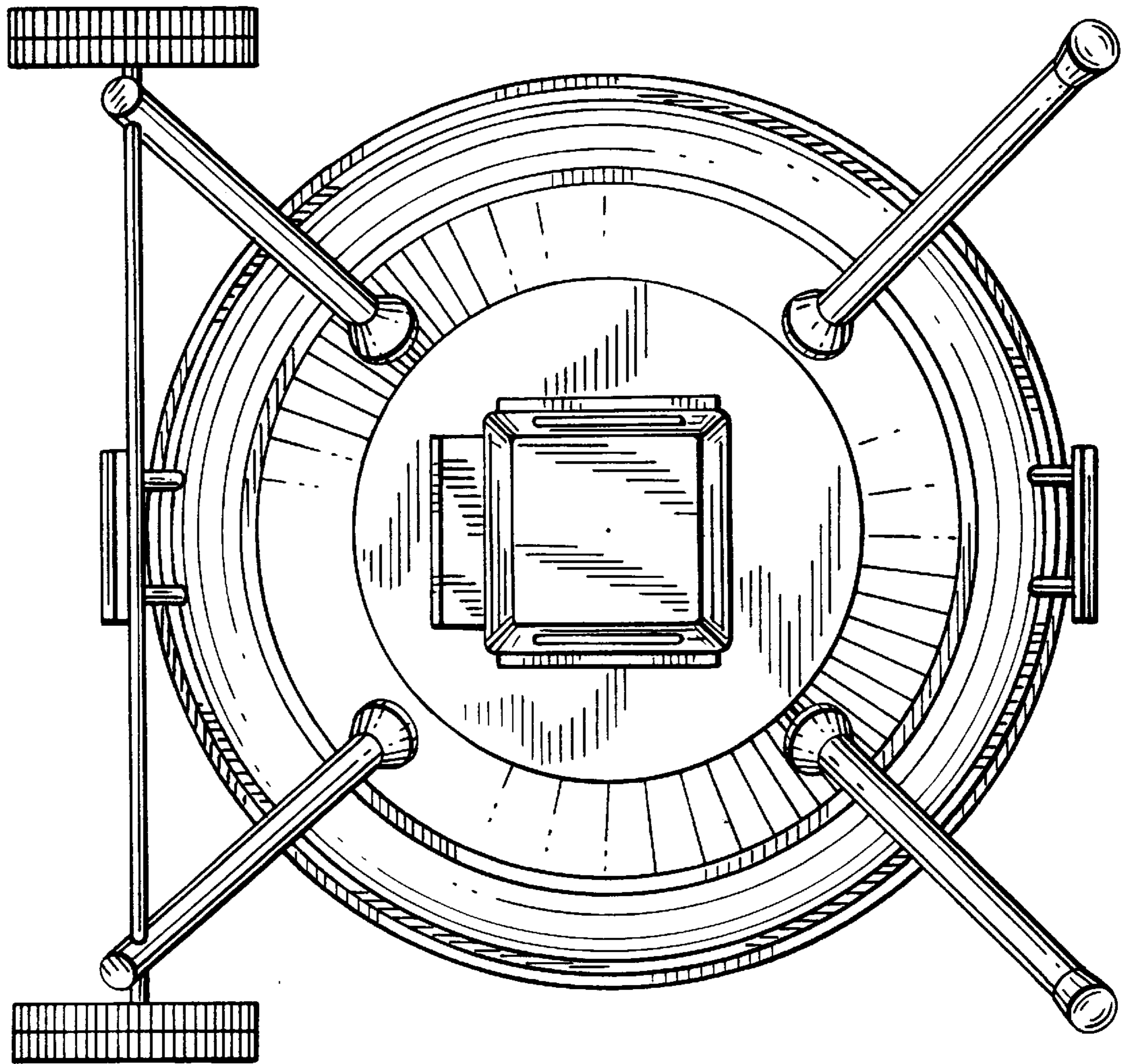


FIG. 5

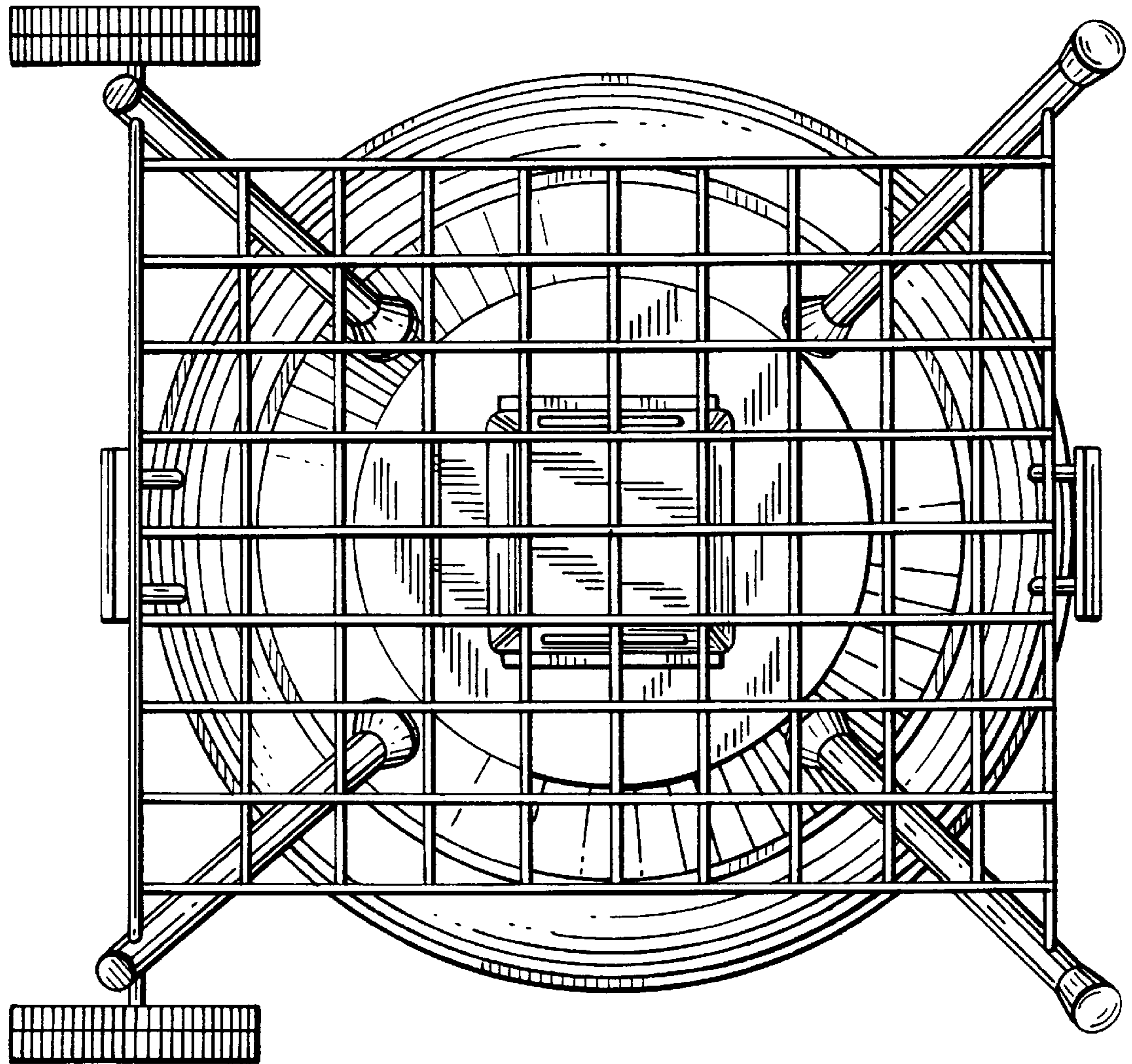


FIG. 6