



US00D414372S

United States Patent [19] Fullmer

[11] Patent Number: Des. 414,372

[45] Date of Patent: ** Sep. 28, 1999

[54] STEAMWARE COLLECTION

[76] Inventor: Hazel J. Fullmer, 475 E. Northern Ave., Springfield, Ohio 45503

[**] Term: 14 Years

[21] Appl. No.: 29/069,373

[22] Filed: Apr. 9, 1997

[51] LOC (6) Cl. 07-02

[52] U.S. Cl. D7/323

[58] Field of Search D7/368, 550, 362-367, D7/402-404, 407, 409, 323, 326, 354-357, 361, 602, 605, 701, 703, 706, 709; 99/DIG. 14, 422; 219/730, 759, 443, 458-459

[56] **References Cited**

U.S. PATENT DOCUMENTS

| | | | | |
|------------|---------|---------|-------|--------|
| D. 149,518 | 5/1948 | Rendler | | D7/363 |
| D. 186,834 | 12/1959 | Waltman | | D7/77 |
| D. 227,537 | 7/1973 | Farris | | D7/77 |
| D. 230,813 | 3/1974 | Bardeau | | D7/365 |
| D. 255,329 | 6/1980 | Luck | | D9/246 |

| | | | | |
|------------|---------|------------------|-------|---------|
| D. 297,394 | 8/1988 | Nelson | | D7/362 |
| D. 304,008 | 10/1989 | Hornung | | D7/76 |
| D. 313,532 | 1/1991 | Smith | | D7/363 |
| D. 324,797 | 3/1992 | Zielinski et al. | | D7/409 |
| D. 383,641 | 9/1997 | Maton | | D7/354 |
| 3,915,304 | 10/1975 | Pasco et al. | | 206/545 |
| 4,106,597 | 8/1978 | Shook et al. | | 190/42 |

Primary Examiner—Ruth McInroy

[57] **CLAIM**

The ornamental design for a steamware collection, as shown and described.

DESCRIPTION

FIG. 1 is a front elevational view of the steamware collection showing my new design; FIG. 2 is a rear elevational view thereof; FIG. 3 is a right side view thereof; FIG. 4 is a top plan view thereof; FIG. 5 is a bottom plan view thereof; FIG. 6 is an cross-sectional view thereof; and, FIG. 7 is an exploded view thereof, but with the top in its lower storage compartment.

1 Claim, 4 Drawing Sheets

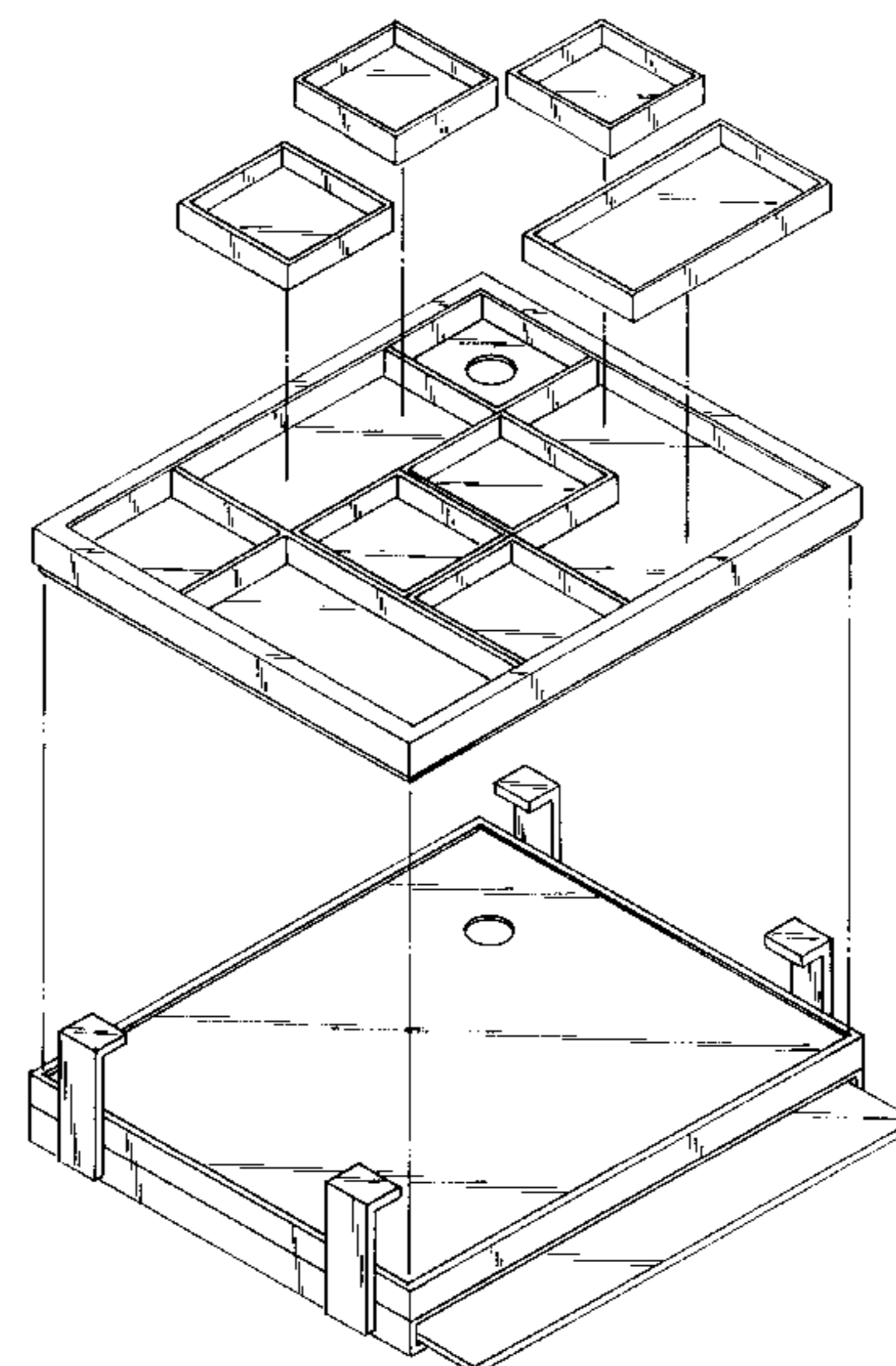
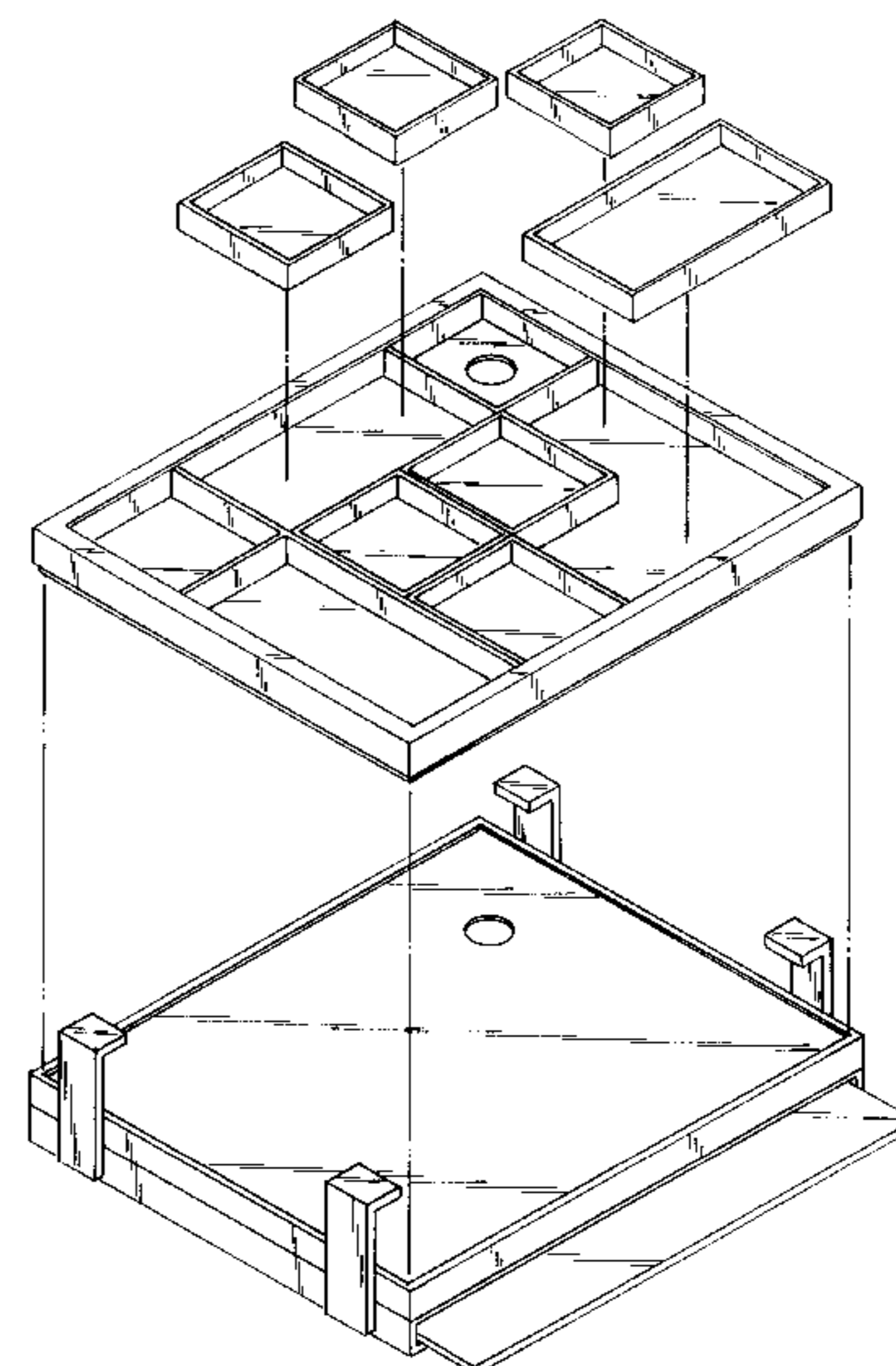
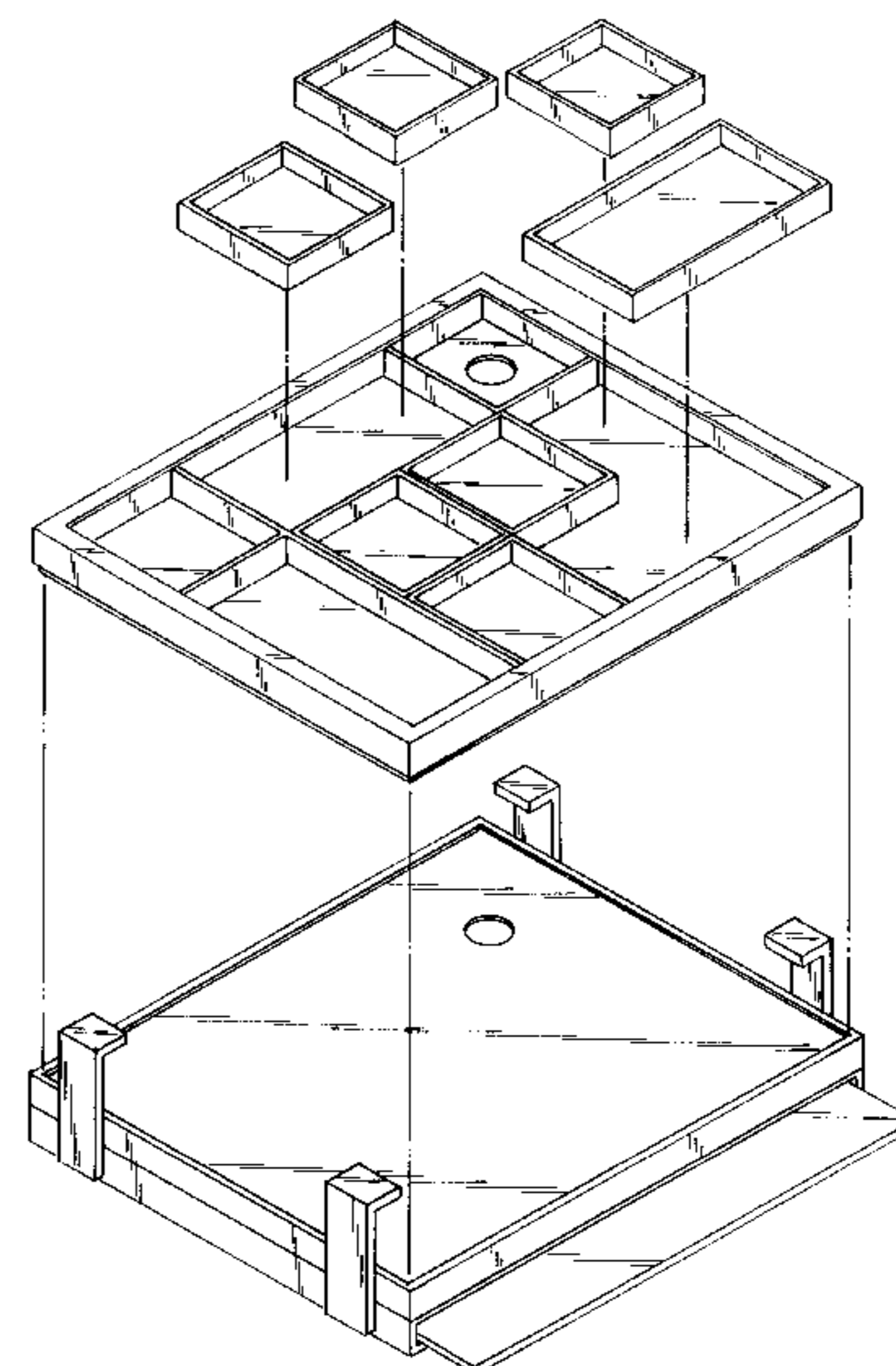
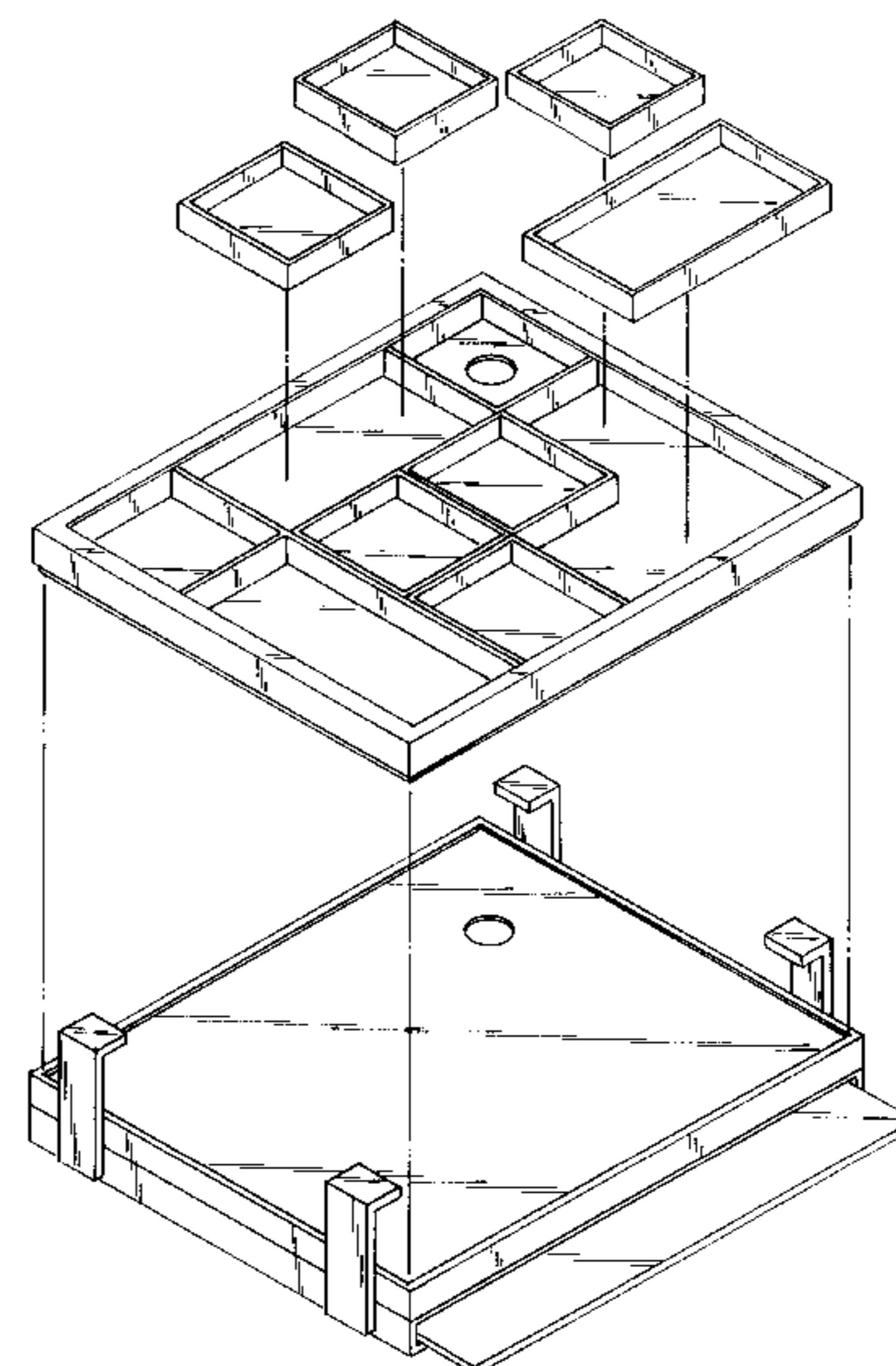
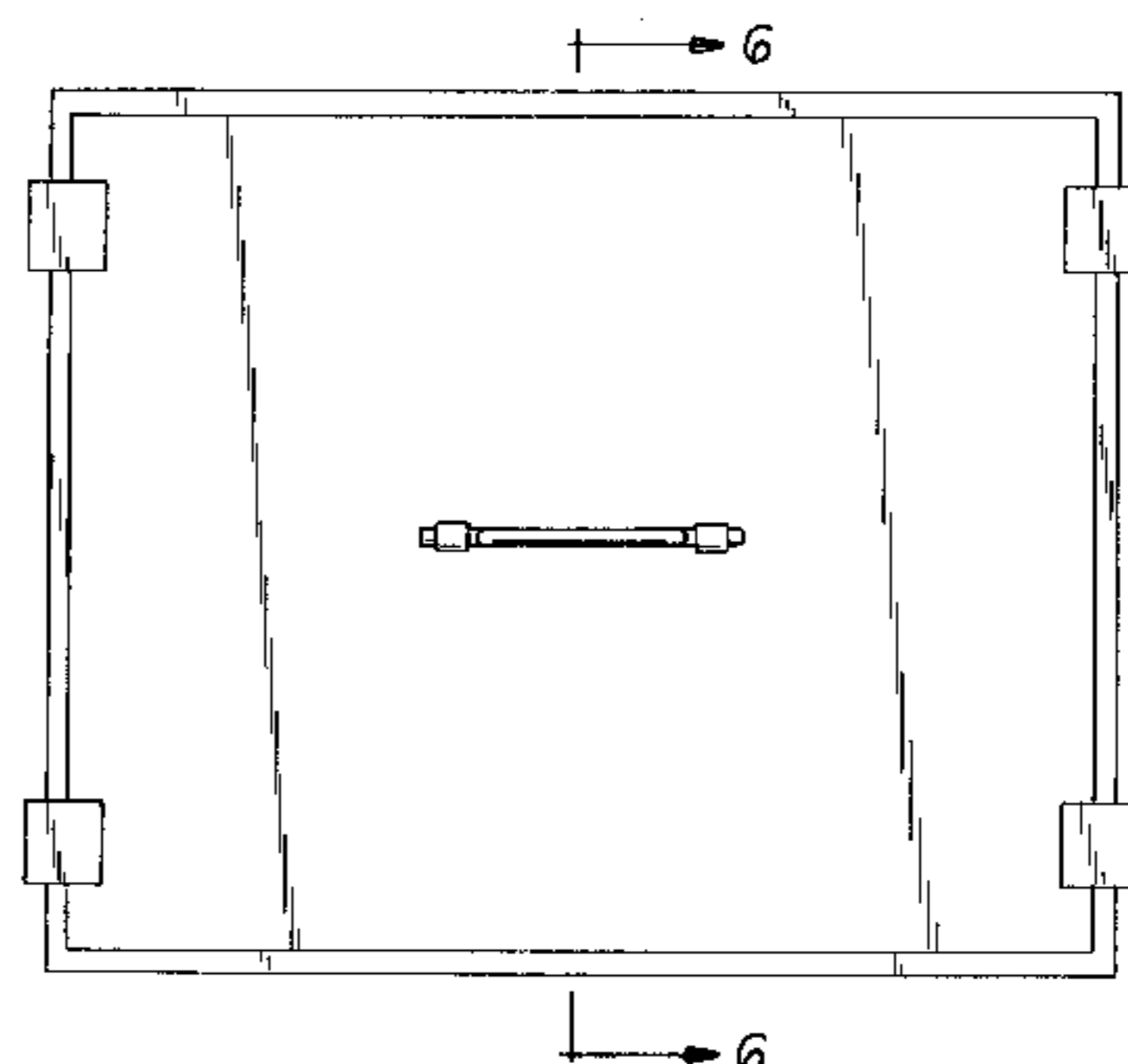
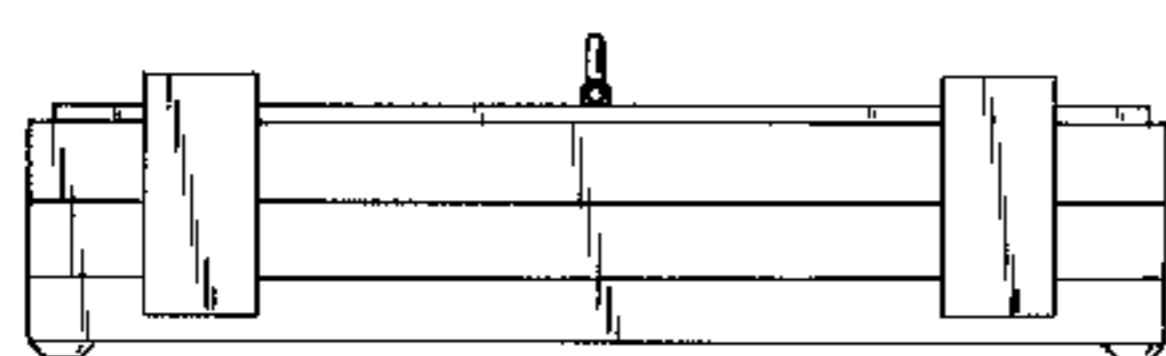
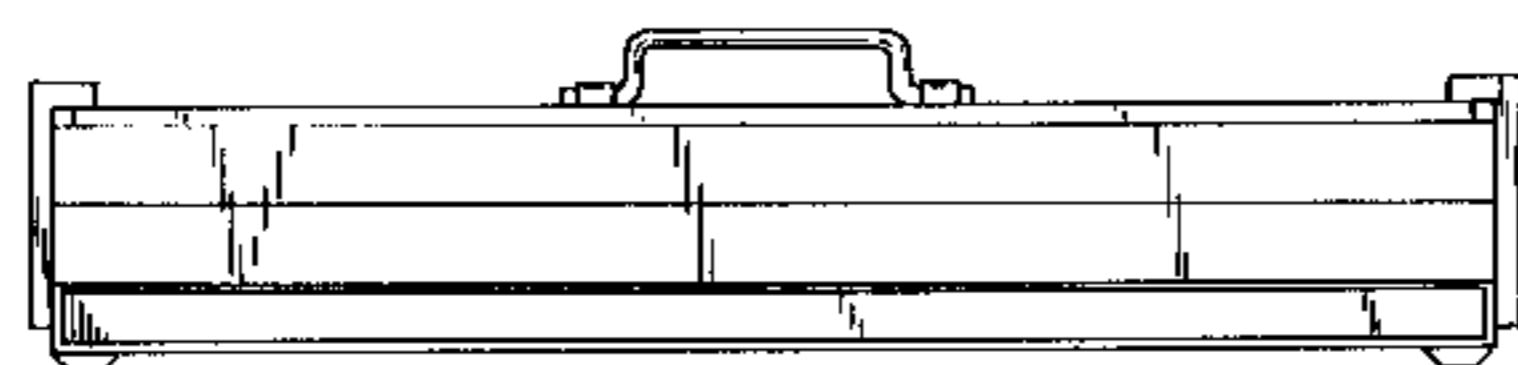


FIG 1

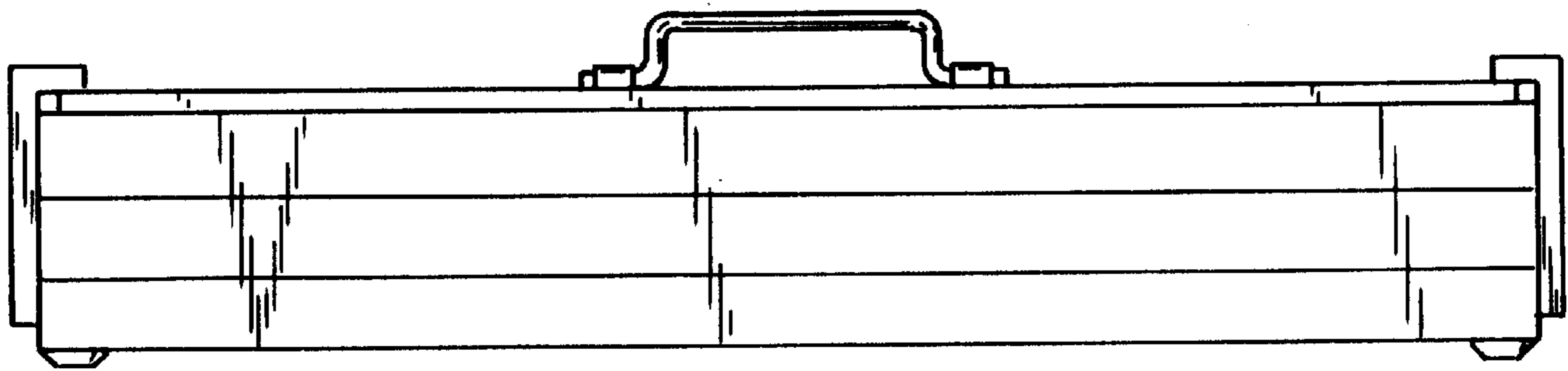
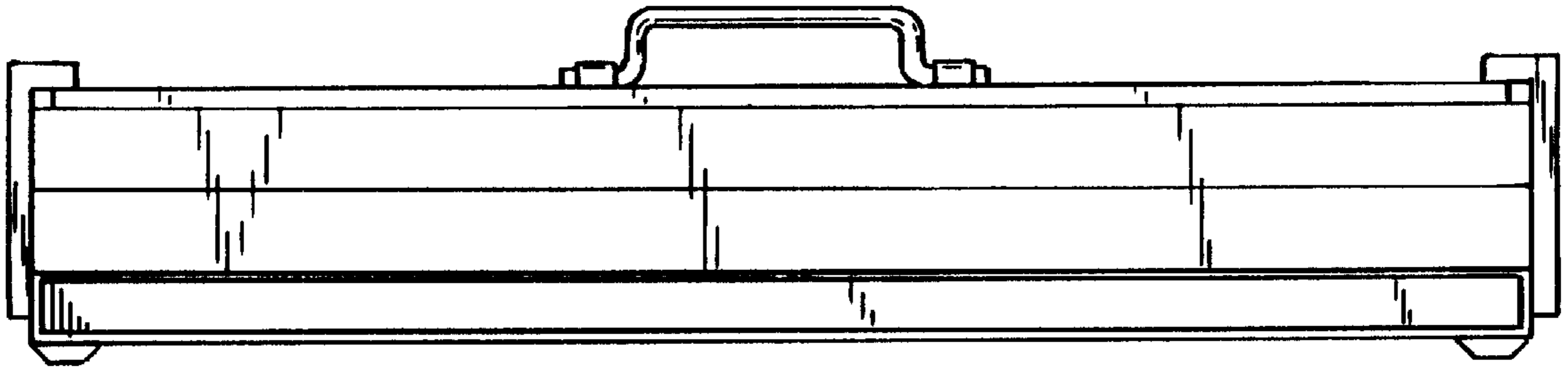


FIG 2

FIG 3

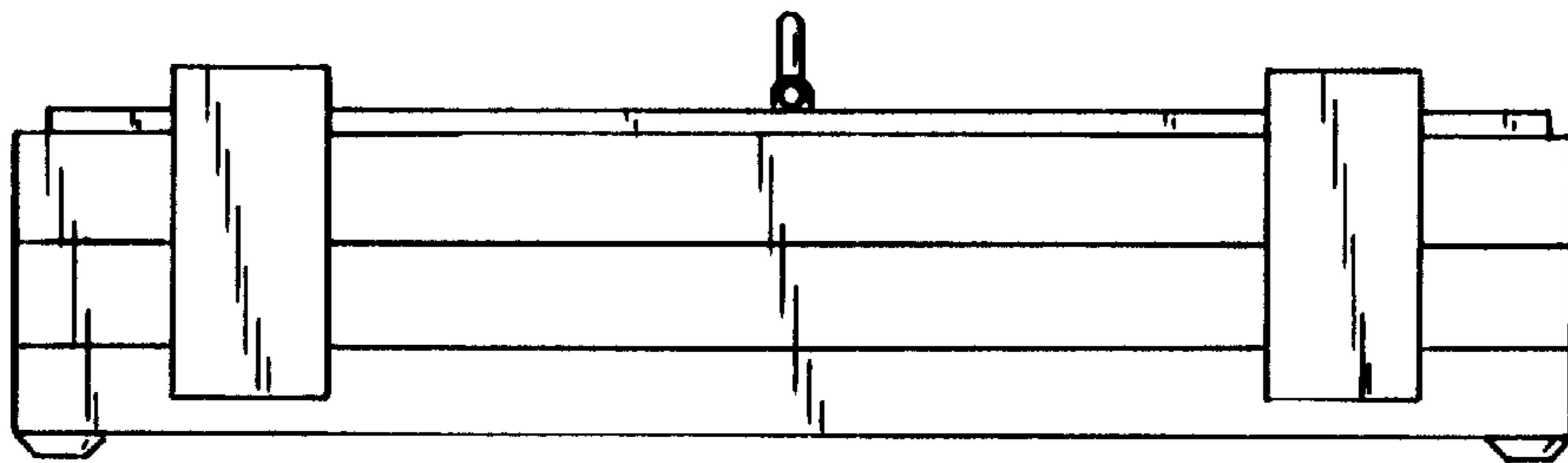
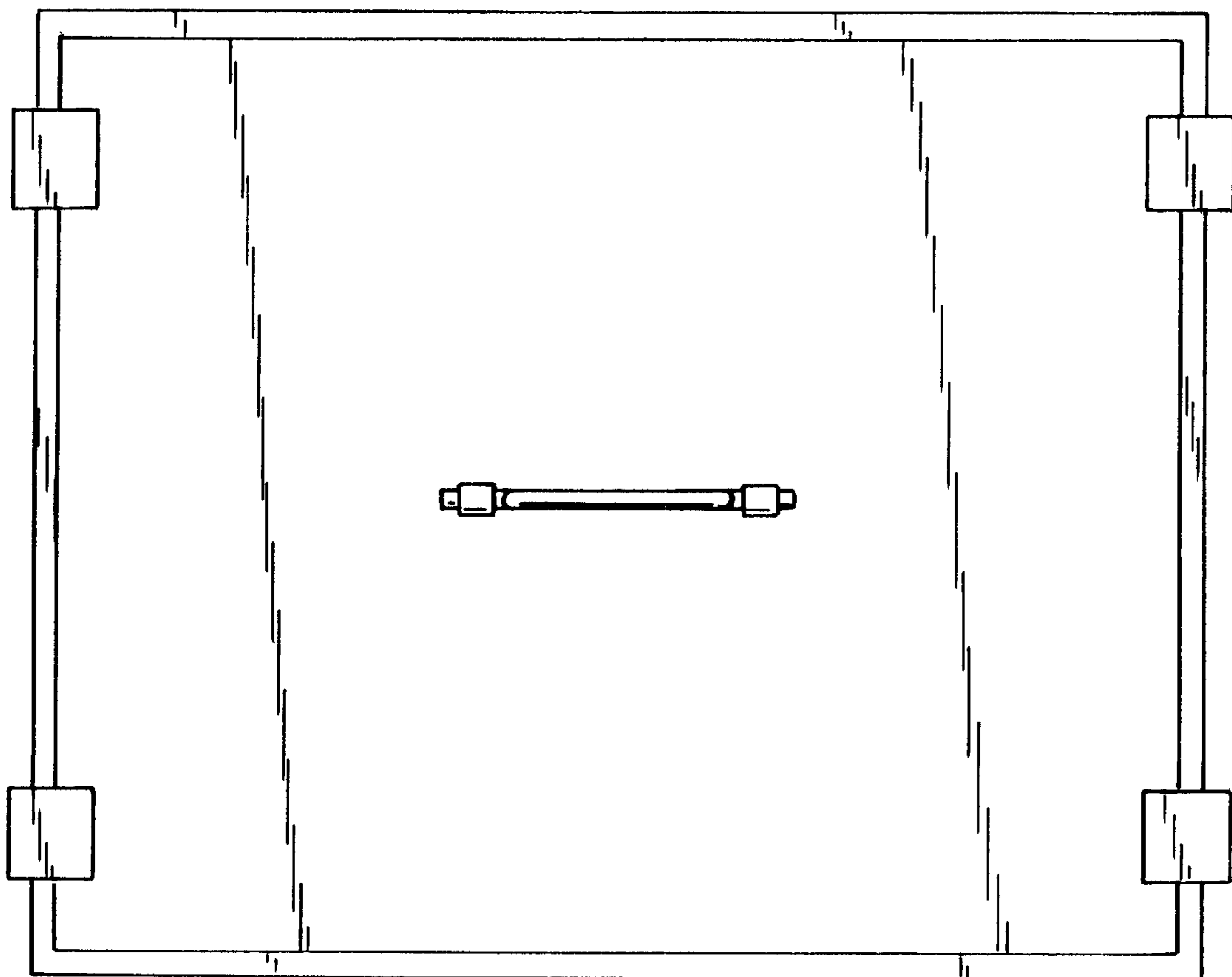


FIG 4
+ → 6



→ 6

FIG 5

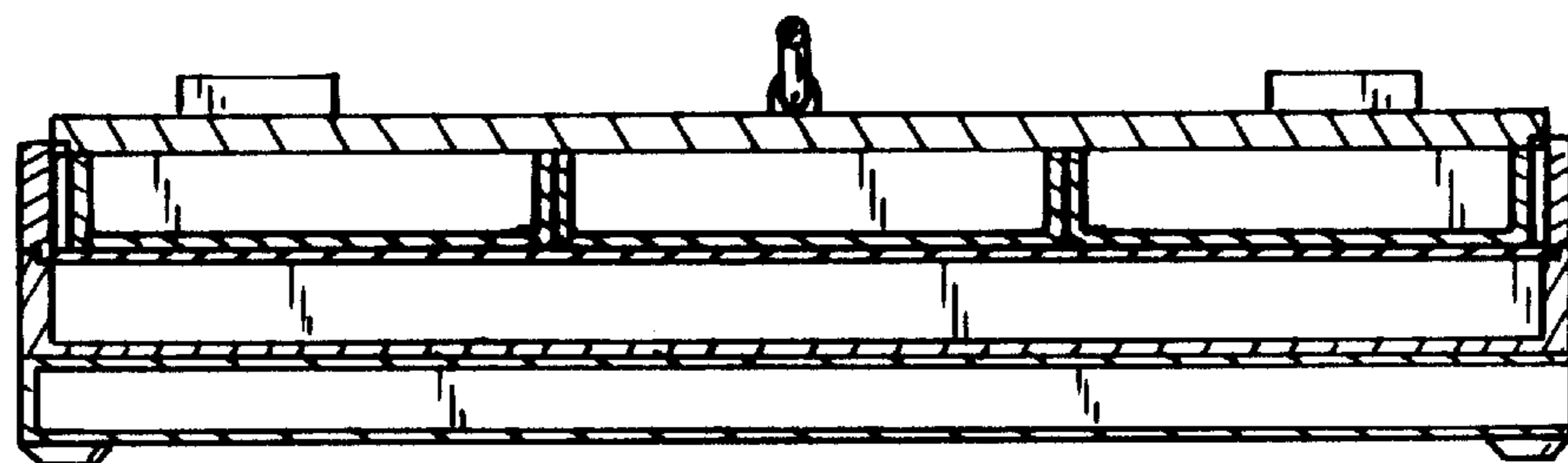
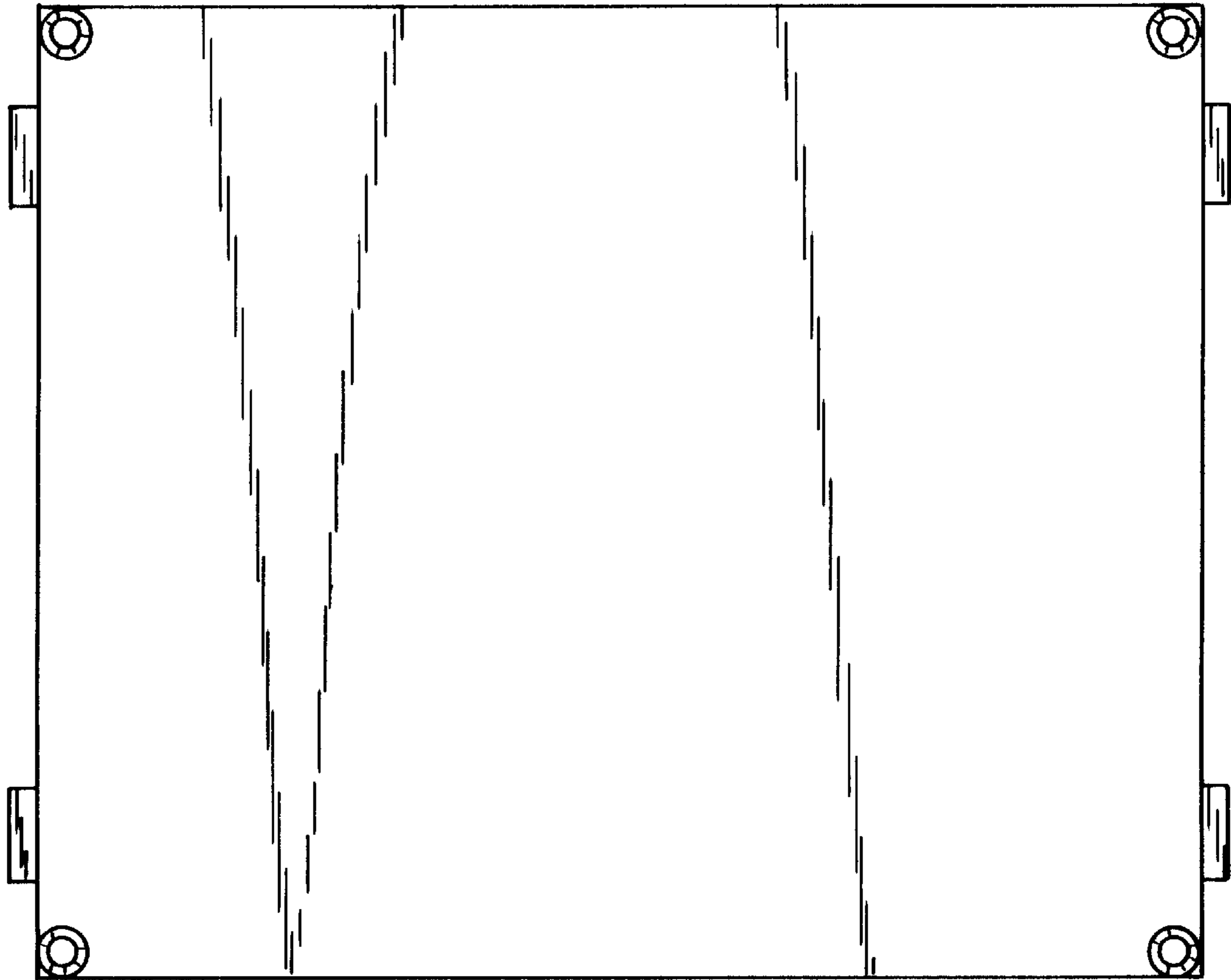


FIG 6

FIG 7

