



US00D414370S

# United States Patent [19] Shy

[11] Patent Number: Des. 414,370

[45] Date of Patent: \*\* Sep. 28, 1999

[54] **FREE STANDING THREE SPOUT WATER  
FOUNTAIN CABINET**

[75] Inventor: **John J. Shy**, Scottsdale, Ariz.

[73] Assignee: **City of Scottsdale**, Scottsdale, Ariz.

[\*\*] Term: **14 Years**

[21] Appl. No.: **29/098,393**

[22] Filed: **Dec. 29, 1998**

[51] **LOC (6) Cl.** ..... **07-02**

[52] **U.S. Cl.** ..... **D7/304**

[58] **Field of Search** ..... D7/300, 304, 307,  
D7/308; 239/24, 28, 27, 29.5

[56] **References Cited**

**U.S. PATENT DOCUMENTS**

- D. 356,229 3/1995 Stein ..... D7/304
- D. 366,384 1/1996 Stein ..... D7/304

**OTHER PUBLICATIONS**

Model HWCL- 10, T5 Box Water fountains, Aug. 1977.

*Primary Examiner*—M. N. Pandozzi  
*Attorney, Agent, or Firm*—Cahill, Sutton & Thomas P.L.C.

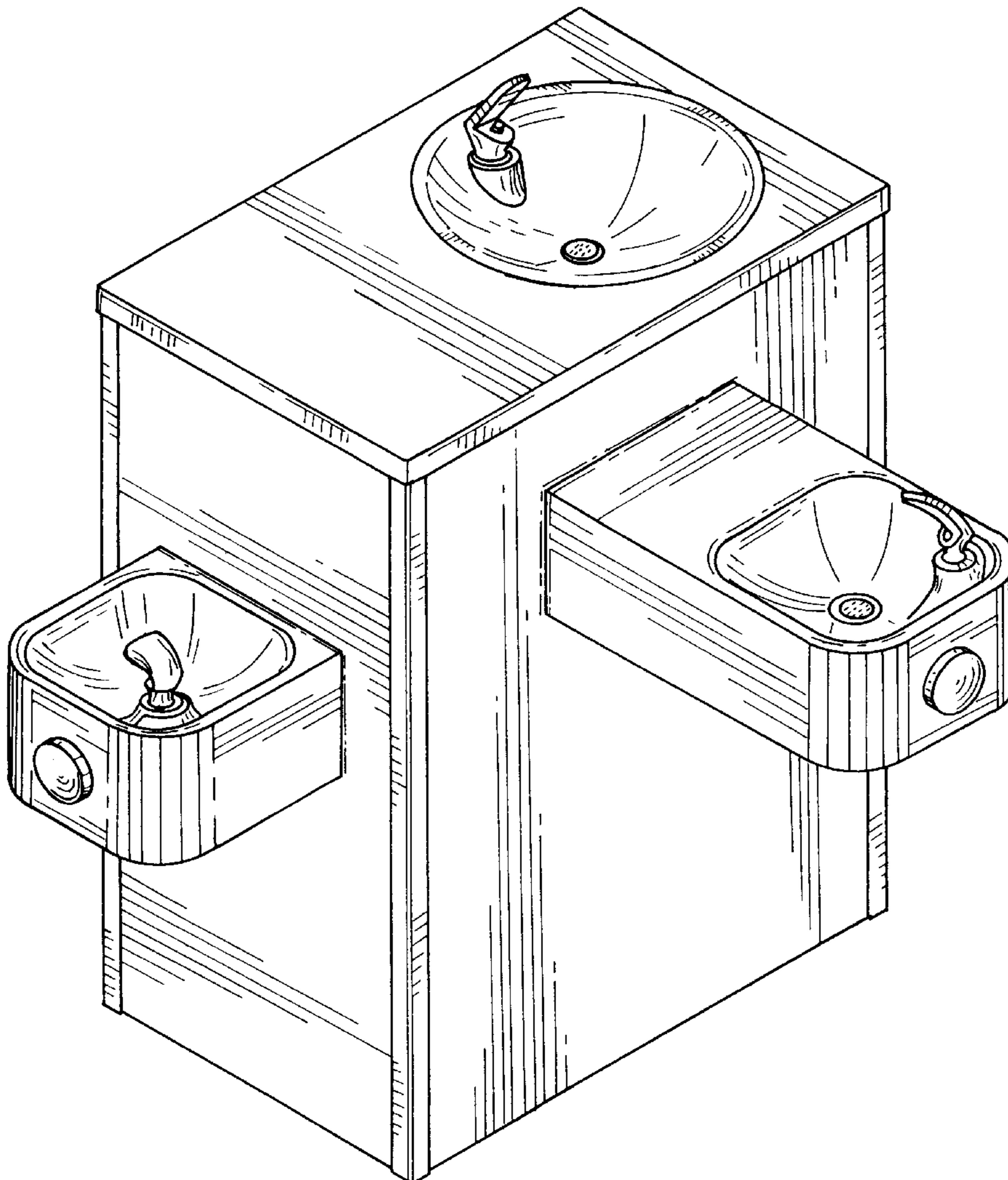
[57] **CLAIM**

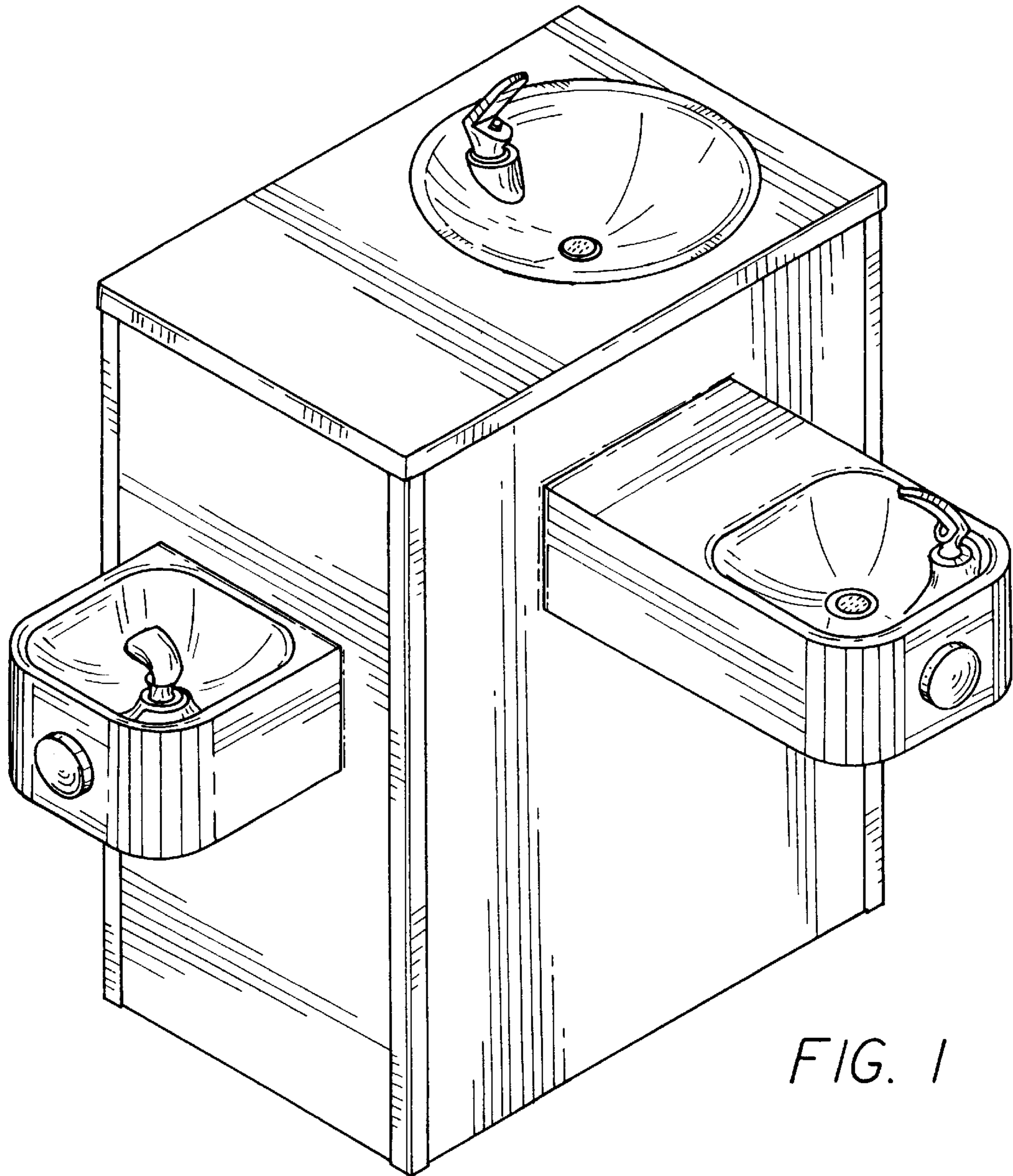
The ornamental design for a free standing three spout water fountain cabinet, as shown and described.

**DESCRIPTION**

FIG. 1 is a perspective view of a three spout free standing water fountain cabinet showing my new design; FIG. 2 is a front elevational view thereof; FIG. 3 is a left side elevational view thereof; FIG. 4 is a rear elevational view thereof; FIG. 5 is a right side elevational view thereof; and, FIG. 6 is a top plan view thereof.

**1 Claim, 6 Drawing Sheets**





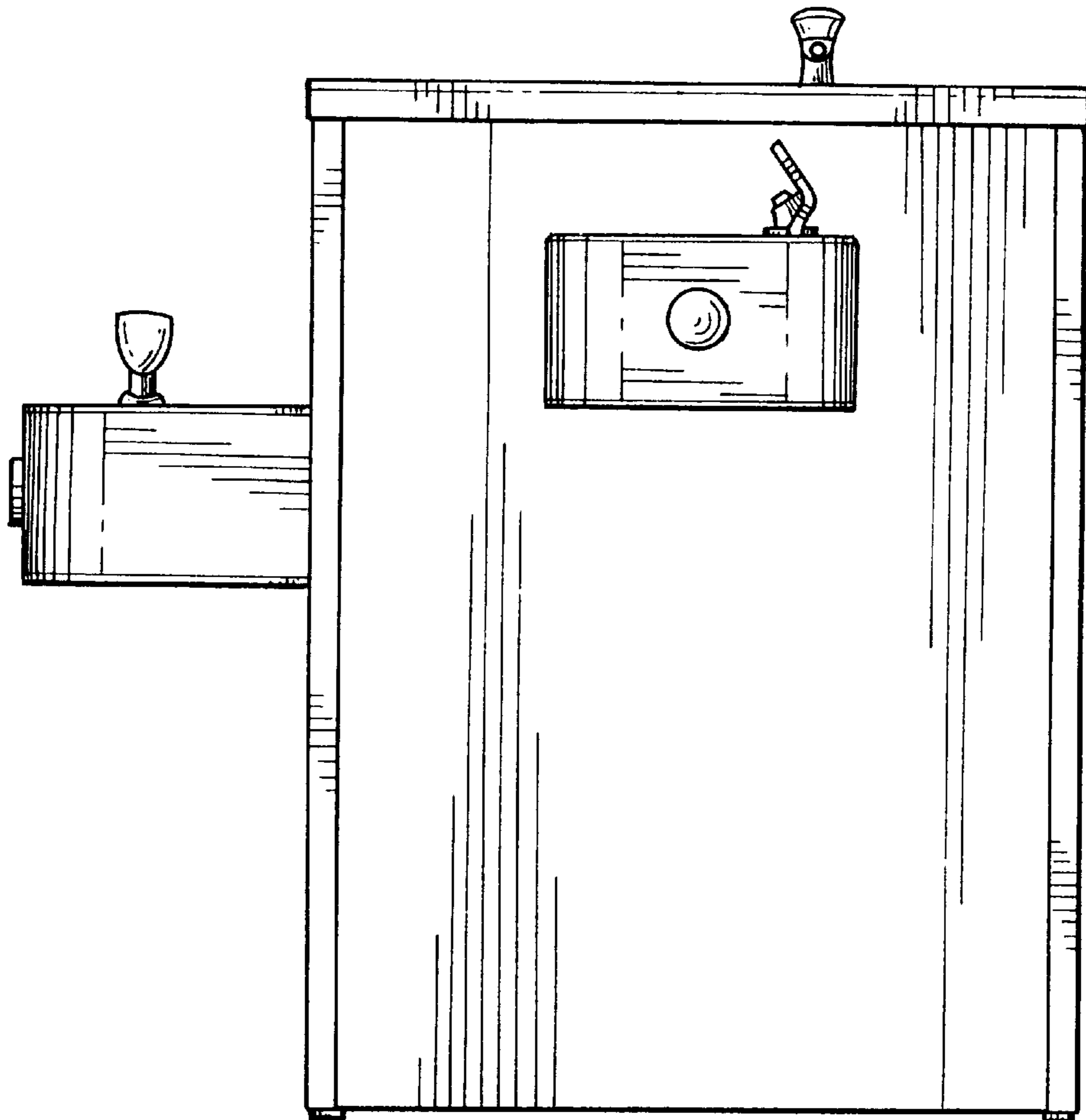


FIG. 2

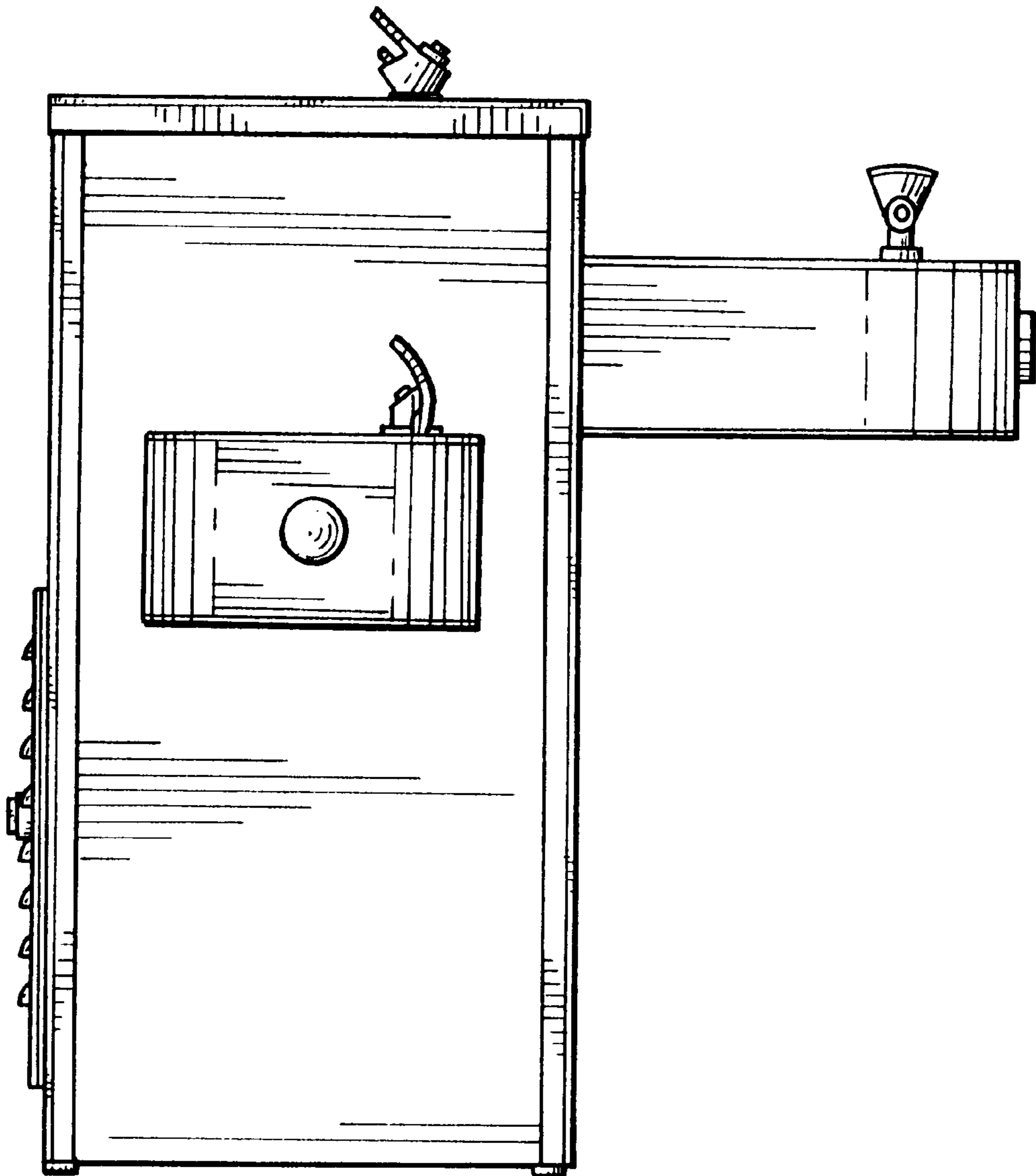


FIG. 3

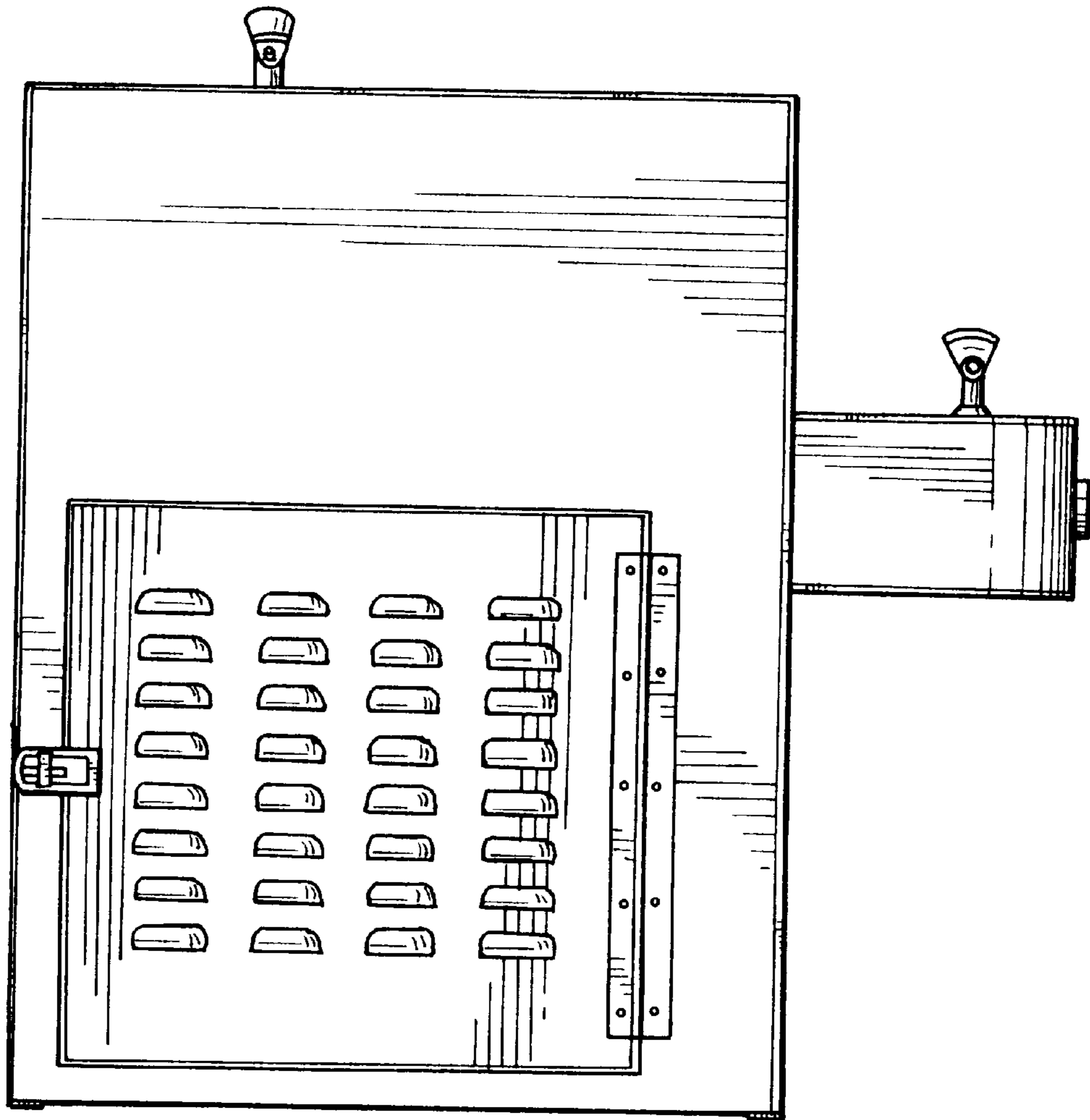


FIG. 4

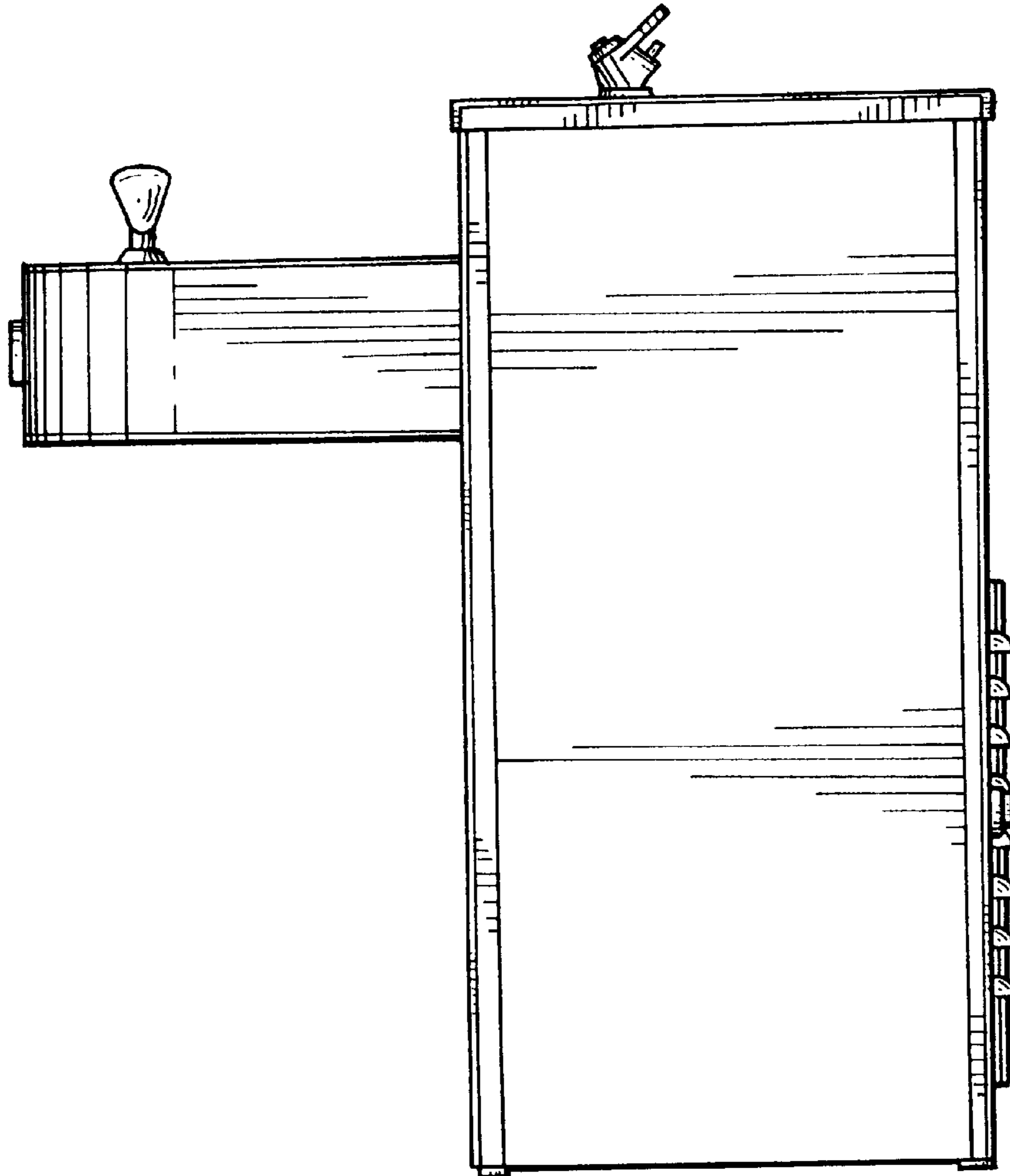


FIG. 5

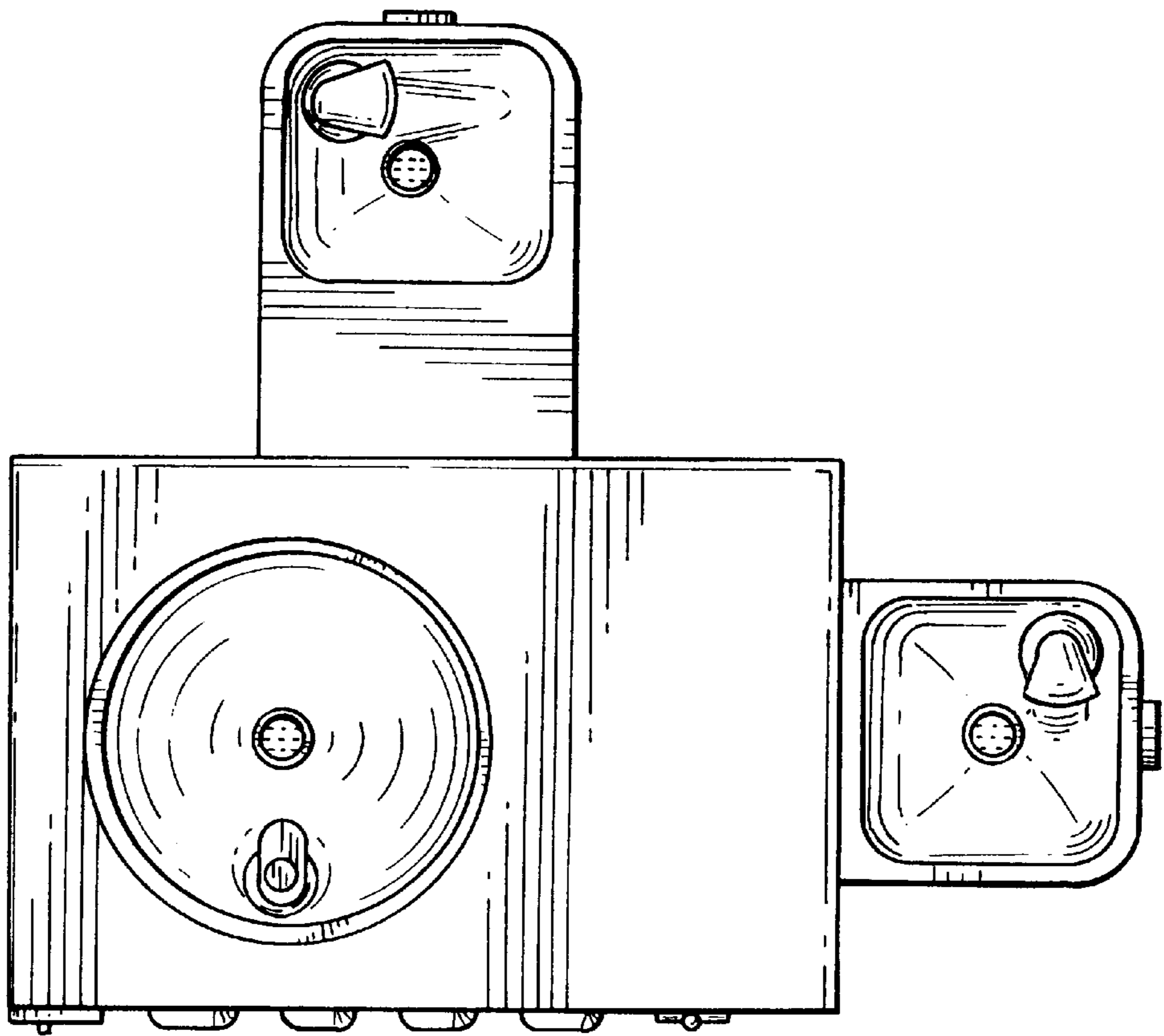


FIG. 6