



US00D414364S

**United States Patent** [19]  
**Malcolm, Sr.**

[11] **Patent Number: Des. 414,364**

[45] **Date of Patent: \*\* Sep. 28, 1999**

[54] **WALL RACK FOR HAIR DRYER**

4,746,090 5/1988 Hamilton .  
5,485,931 1/1996 Barr, Jr. .

[76] Inventor: **Richard M. Malcolm, Sr.**, 2307 41st St. NW. #102, Washington, D.C. 20007

*Primary Examiner*—Kay H. Chin  
*Attorney, Agent, or Firm*—Richard C. Litman

[\*\*] Term: **14 Years**

[57] **CLAIM**

[21] Appl. No.: **29/090,280**

The ornamental design for a wall rack for hair dryer, as shown and described.

[22] Filed: **Jul. 6, 1998**

**DESCRIPTION**

[51] **LOC (6) Cl.** ..... **08-08**

[52] **U.S. Cl.** ..... **D6/553; D6/476; D28/12**

[58] **Field of Search** ..... D6/512, 552, 553, D6/475, 476, 526, 527; 224/191, 193, 240, 243, 251; D28/9, 38, 73, 12

FIG. 1 is a perspective view of a wall rack for hair dryer showing my new design;  
FIG. 2 is a front elevational view thereof;  
FIG. 3 is a left side elevational view thereof;  
FIG. 4 is a right side elevational view thereof;  
FIG. 5 is a bottom view thereof; and,  
FIG. 6 is a top view thereof.

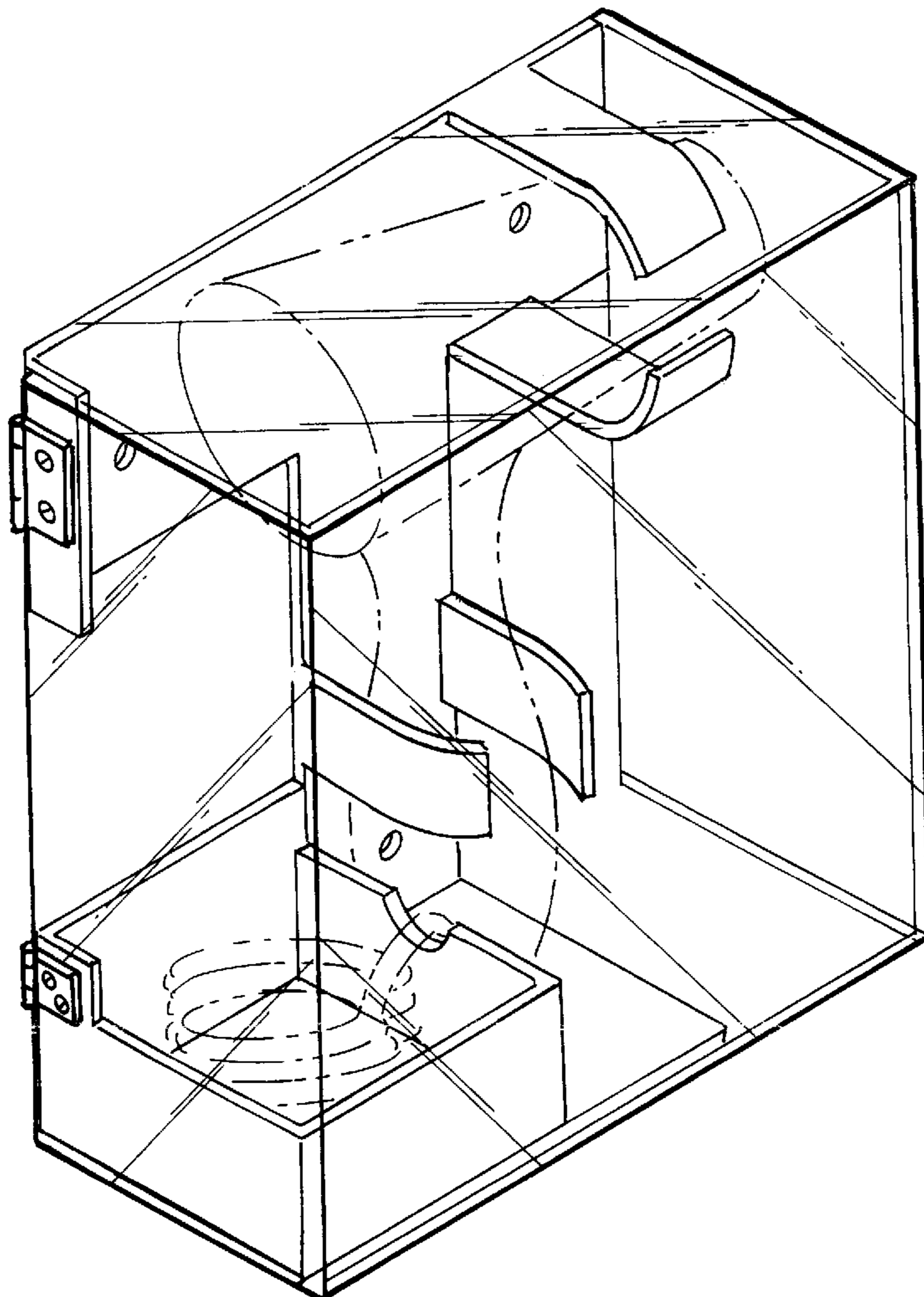
[56] **References Cited**

**U.S. PATENT DOCUMENTS**

|            |        |           |       |        |
|------------|--------|-----------|-------|--------|
| D. 334,676 | 4/1993 | Liptak    | ..... | D6/476 |
| D. 343,024 | 1/1994 | Blaisdell | .     |        |
| 3,964,708  | 6/1976 | Reeves    | .     |        |
| 4,159,773  | 7/1979 | Losanno   | .     |        |
| 4,673,148  | 6/1987 | Oliver    | .     |        |
| 4,696,447  | 9/1987 | Strecker  | .     |        |

The rear of the invention is not ornamented.  
The broken line showing of a hand-held hair dryer and power cord is for illustrative purposes only and forms no part of the claimed design.

**1 Claim, 4 Drawing Sheets**



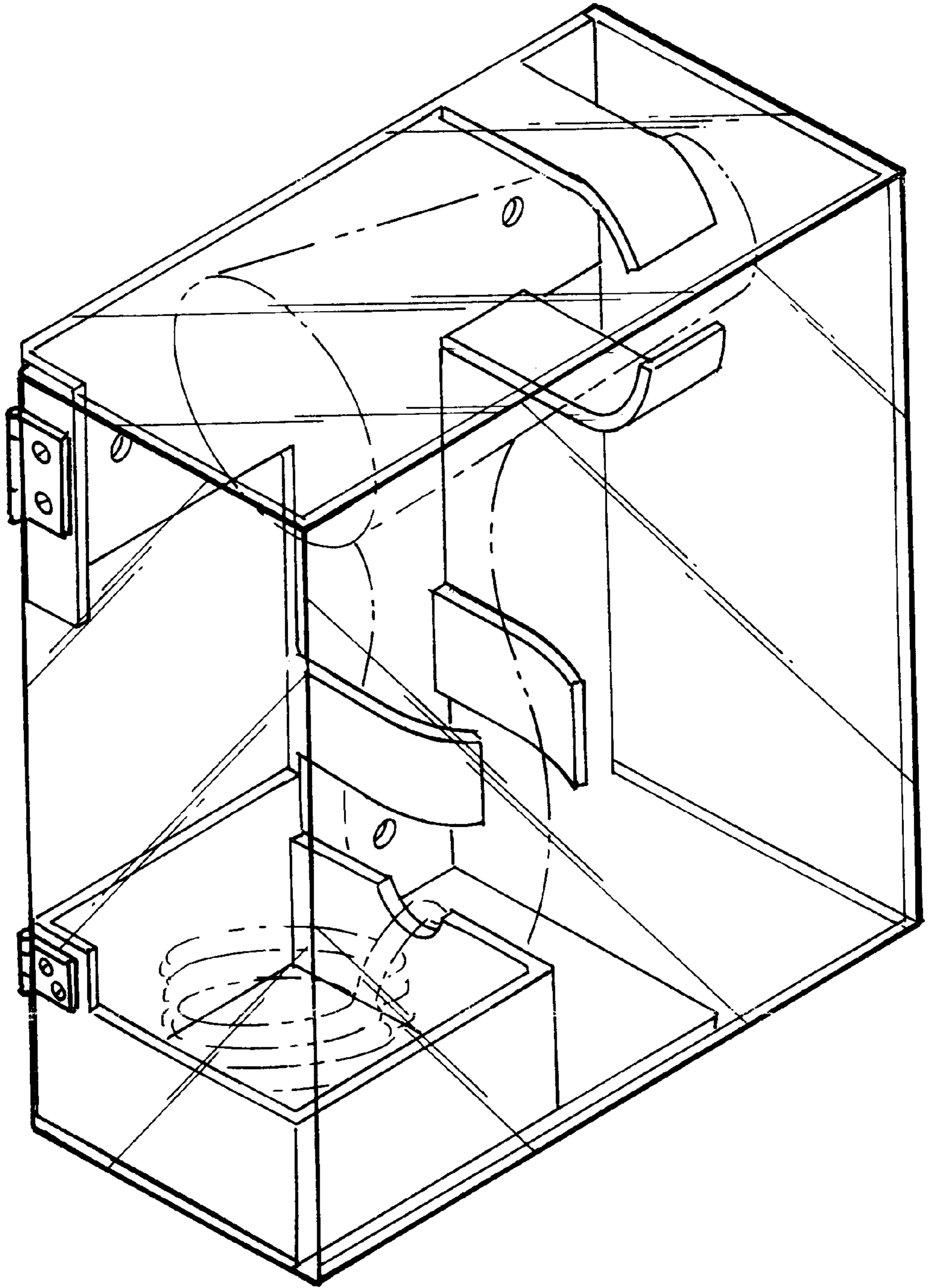


FIG. 1

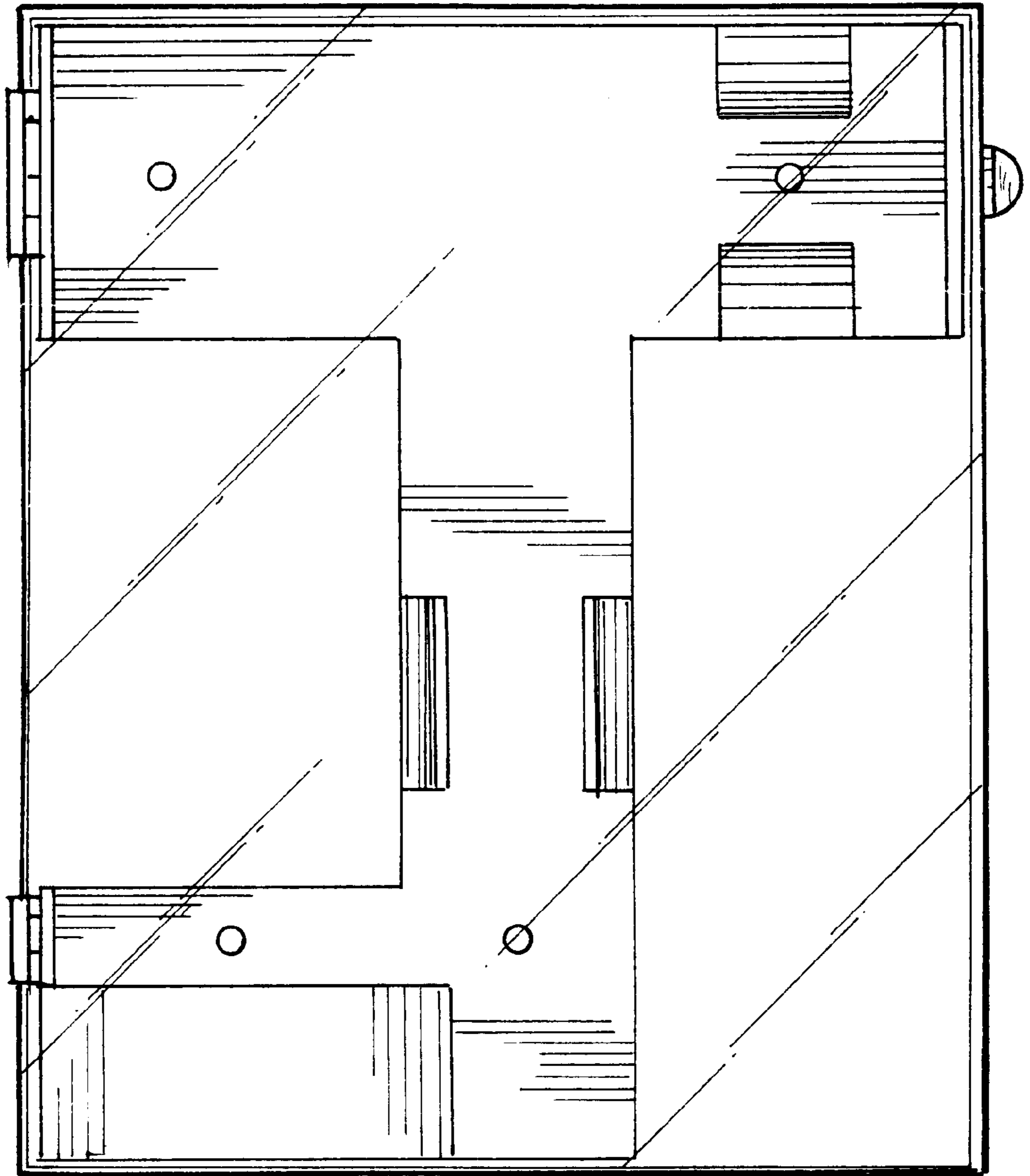


FIG. 2

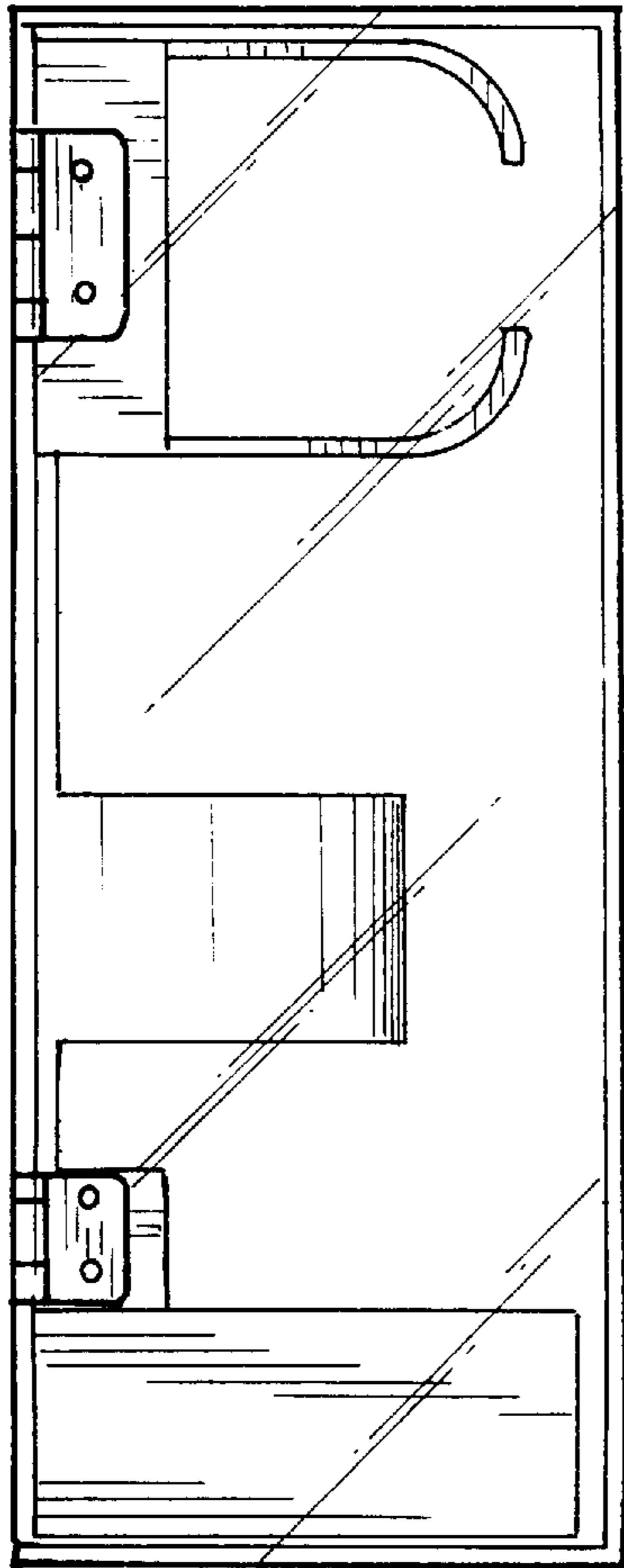


FIG. 3

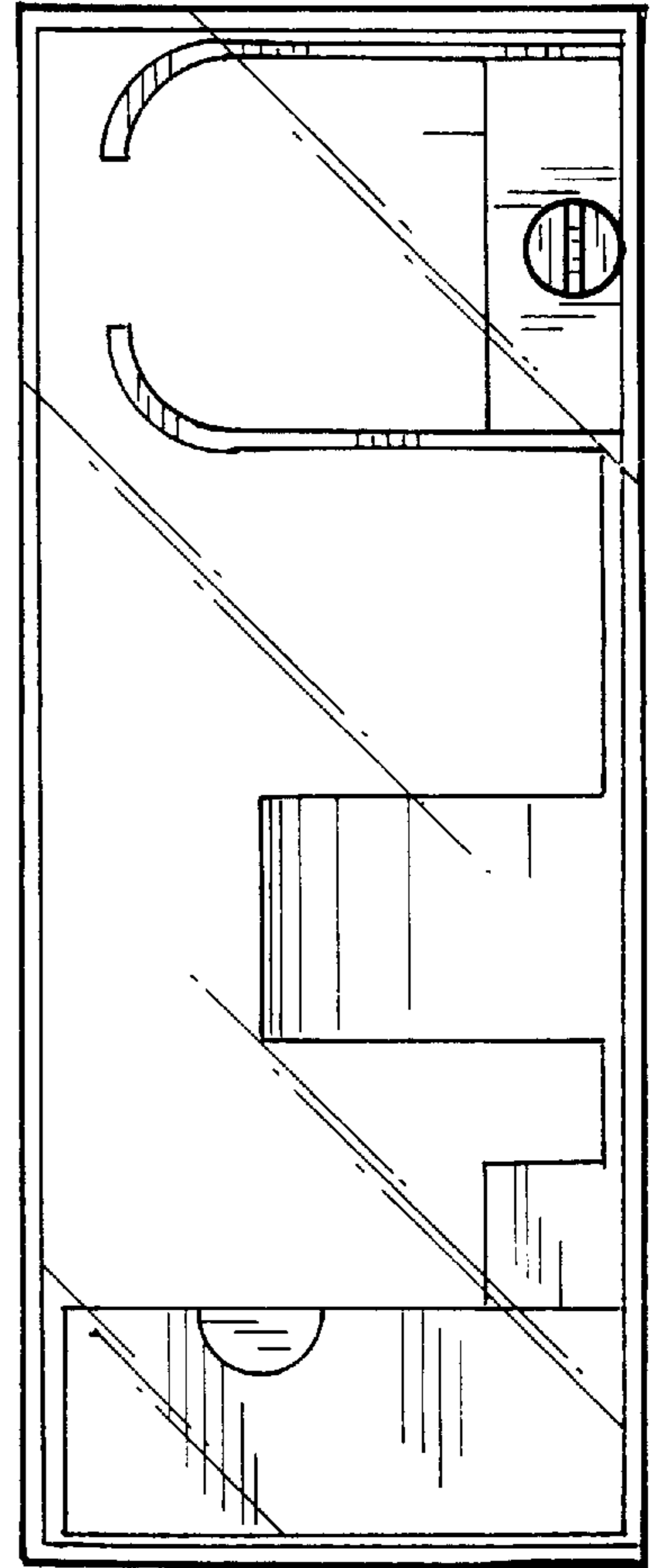


FIG. 4

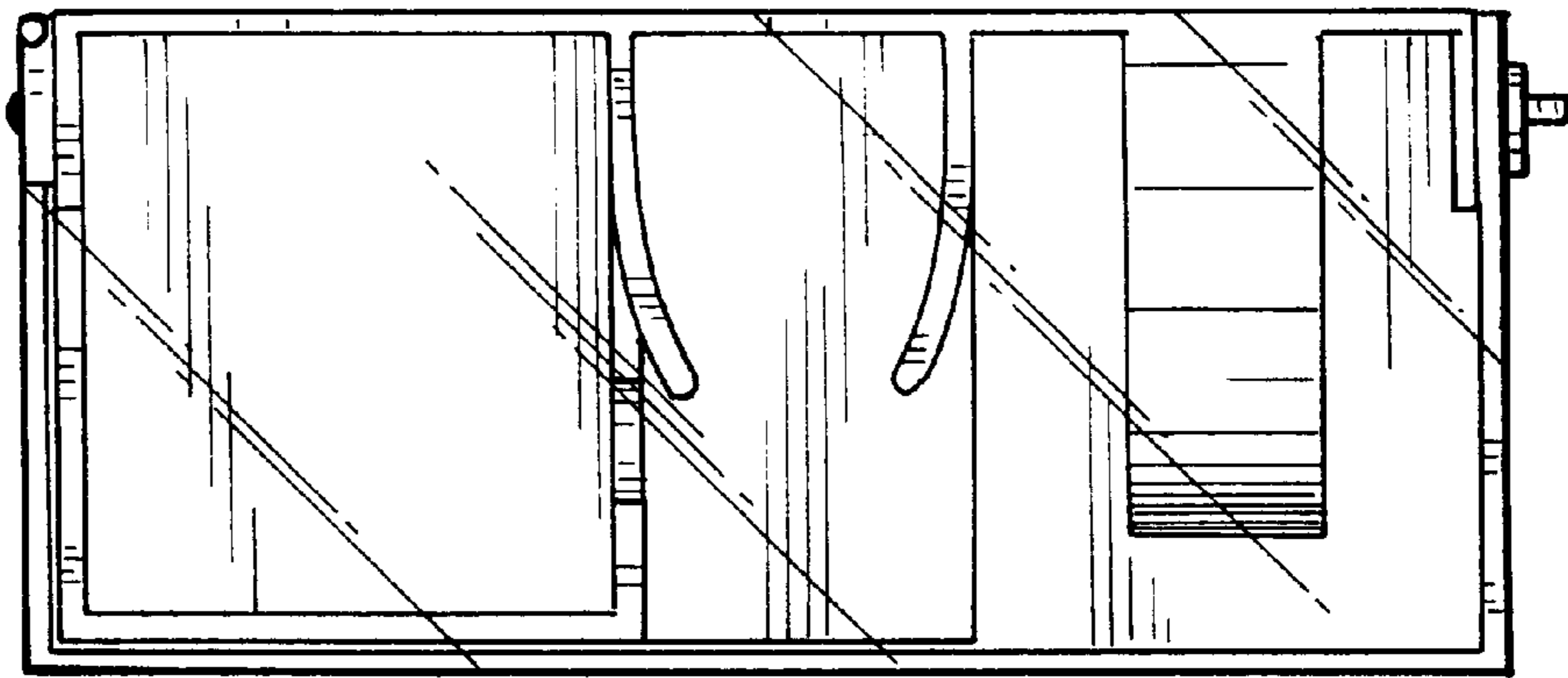


FIG. 6

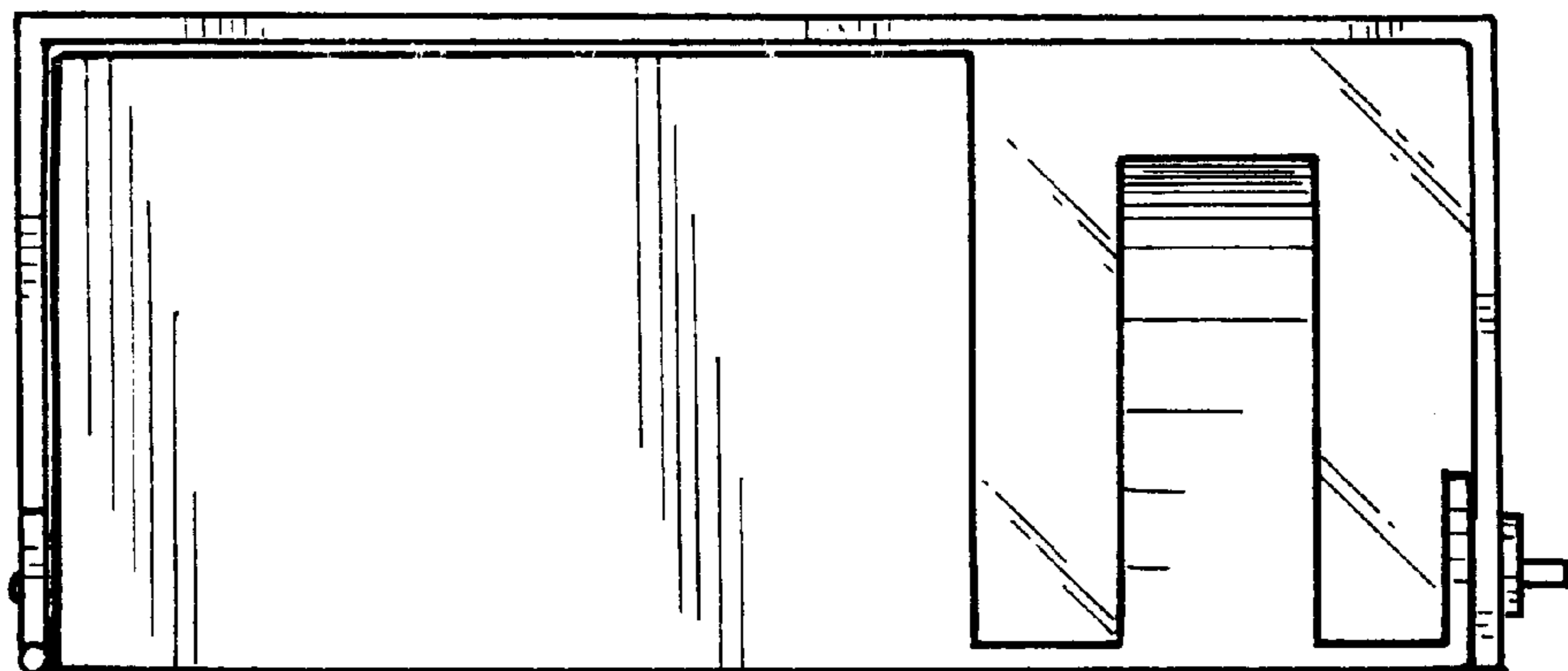


FIG. 5