



US00D414363S

**United States Patent** [19]  
**Daansen**

[11] **Patent Number: Des. 414,363**  
[45] **Date of Patent: \*\* Sep. 28, 1999**

[54] **LIQUID DISPENSER**

[76] Inventor: **Warren S. Daansen**, 39 Orange St.,  
Nashua, N.H. 03061

[\*\*] Term: **14 Years**

[21] Appl. No.: **29/093,807**

[22] Filed: **Sep. 18, 1998**

[51] **LOC (6) Cl. .... 07-07**

[52] **U.S. Cl. .... D6/545**

[58] **Field of Search ..... D6/542-545; 222/173,**  
**222/180, 181.1, 181.3; 221/282, 283**

[56] **References Cited**

**U.S. PATENT DOCUMENTS**

- D. 338,585 8/1993 Bell et al. .
- D. 345,664 4/1994 Brandenburg .
- D. 349,827 8/1994 Brandenburg .
- D. 350,249 9/1994 Rhodenbaugh ..... D6/545
- D. 358,288 5/1995 Daansen .
- D. 387,931 12/1997 Chen ..... D6/545
- D. 406,977 3/1999 Chen ..... D6/545
- 4,130,224 12/1978 Norman et al. .
- 4,164,306 8/1979 Perrin .
- 4,349,133 9/1982 Christine .
- 4,394,938 7/1983 Frassanito .

- 4,515,294 5/1985 Udall .
- 4,621,749 11/1986 Kanfer .
- 4,667,854 5/1987 McDermott et al. .
- 4,715,517 12/1987 Potter et al. .
- 5,105,992 4/1992 Fender et al. .
- 5,248,066 9/1993 Olson et al. .
- 5,265,772 11/1993 Bartasevich et al. .
- 5,379,917 1/1995 Brown et al. .
- 5,464,125 11/1995 Daansen .
- 5,706,986 1/1998 Brandenburg et al. .

*Primary Examiner*—Brian N. Vinson  
*Attorney, Agent, or Firm*—Scott J. Asmus; Vernon C. Maine

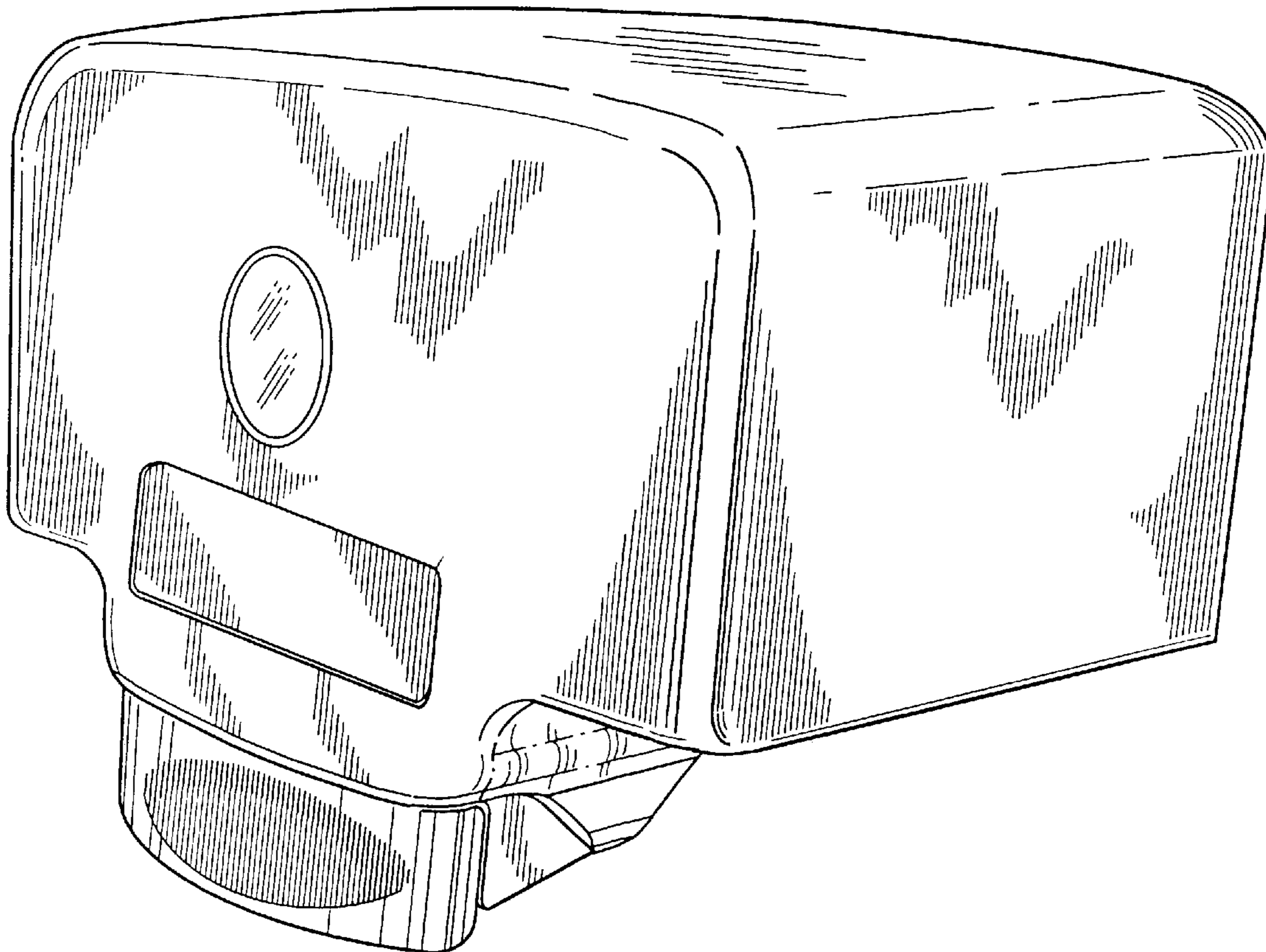
[57] **CLAIM**

The ornamental design for a liquid dispenser, as shown and described.

**DESCRIPTION**

FIG. 1 is a right side perspective view of the dispenser showing my new design;  
FIG. 2 is a left side elevation thereof;  
FIG. 3 is a front elevation thereof;  
FIG. 4 is a top plan elevation thereof;  
FIG. 5 is a rear elevation thereof; and,  
FIG. 6 is a bottom plan elevation thereof.

**1 Claim, 4 Drawing Sheets**



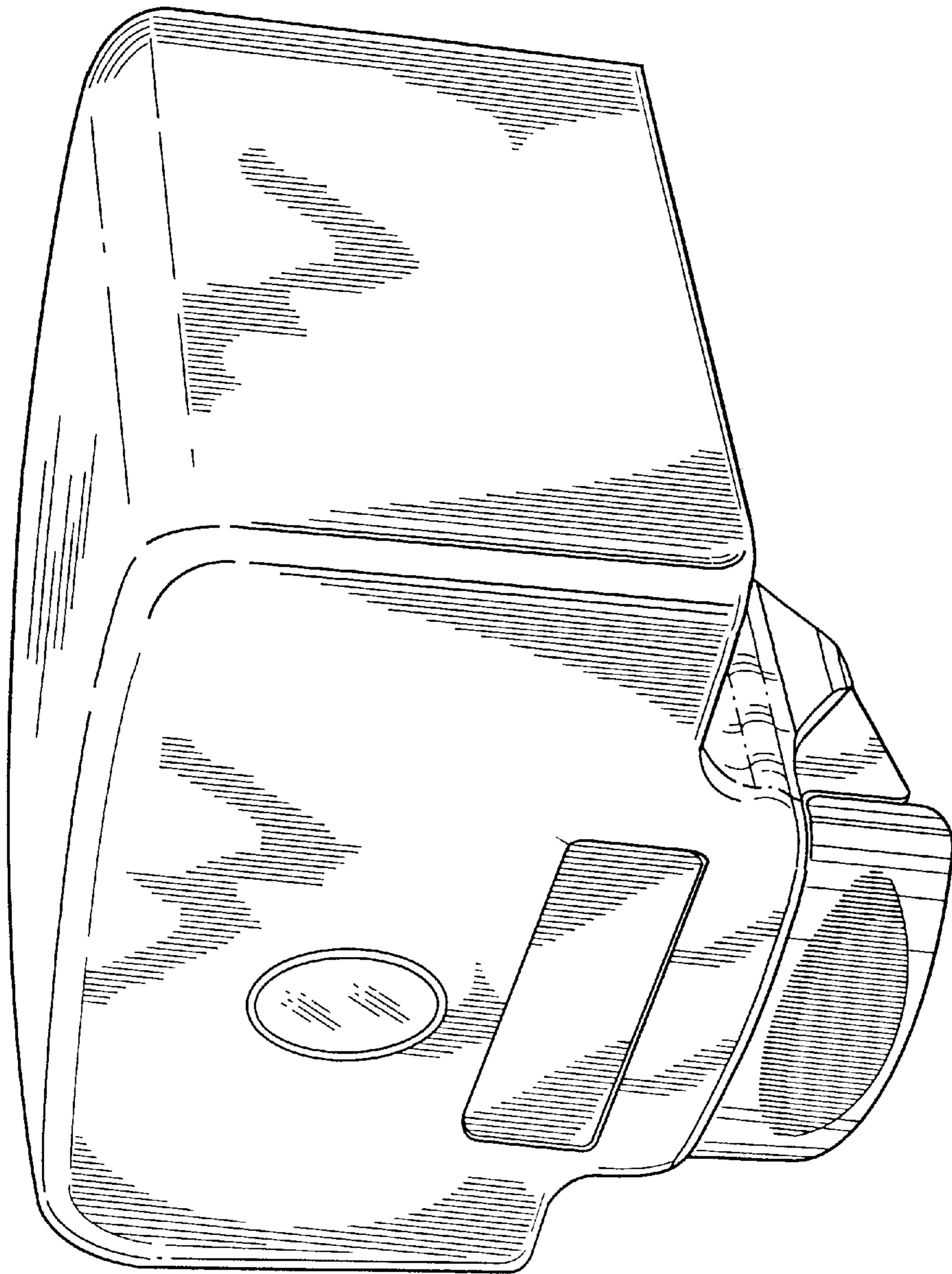


FIG. 1

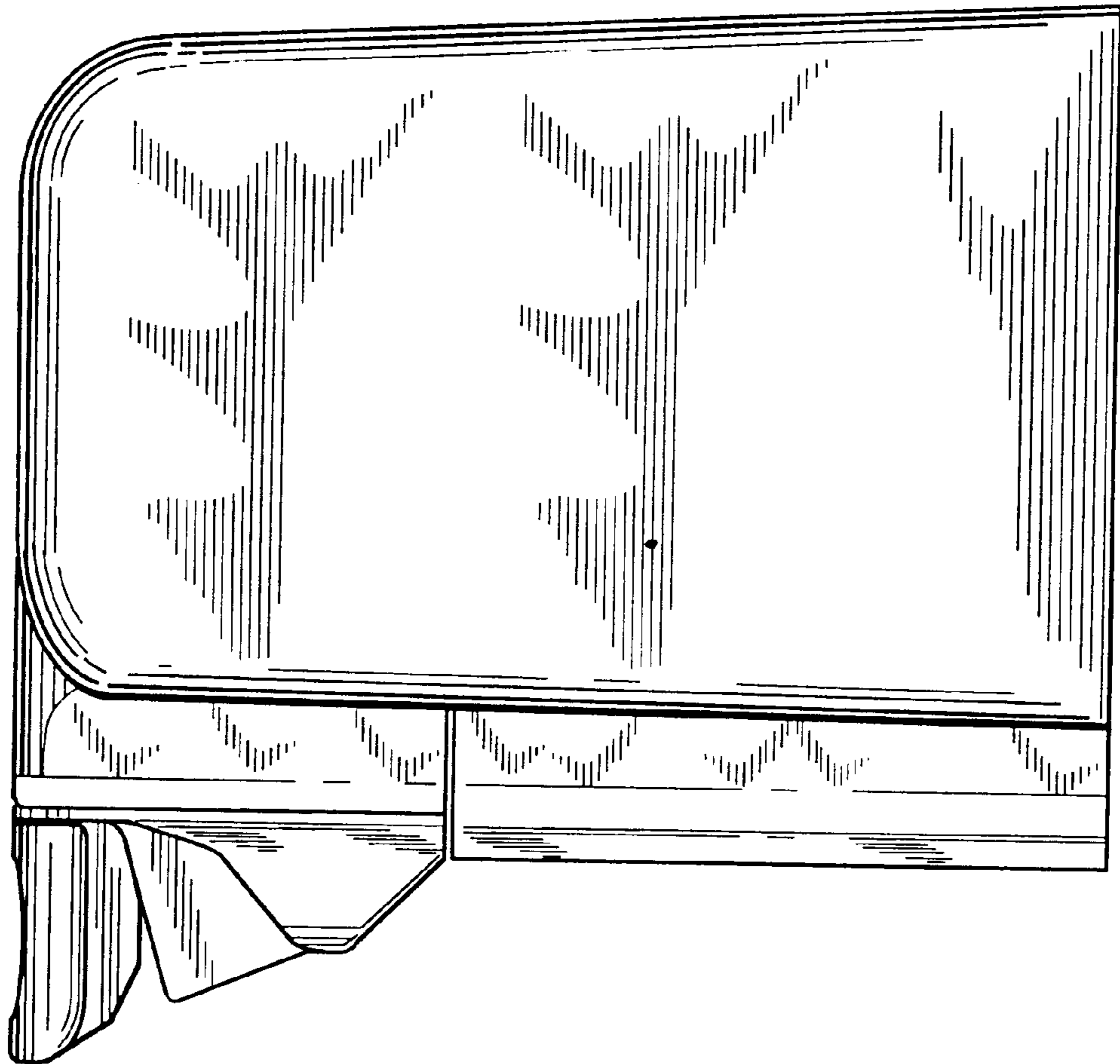


FIG. 2

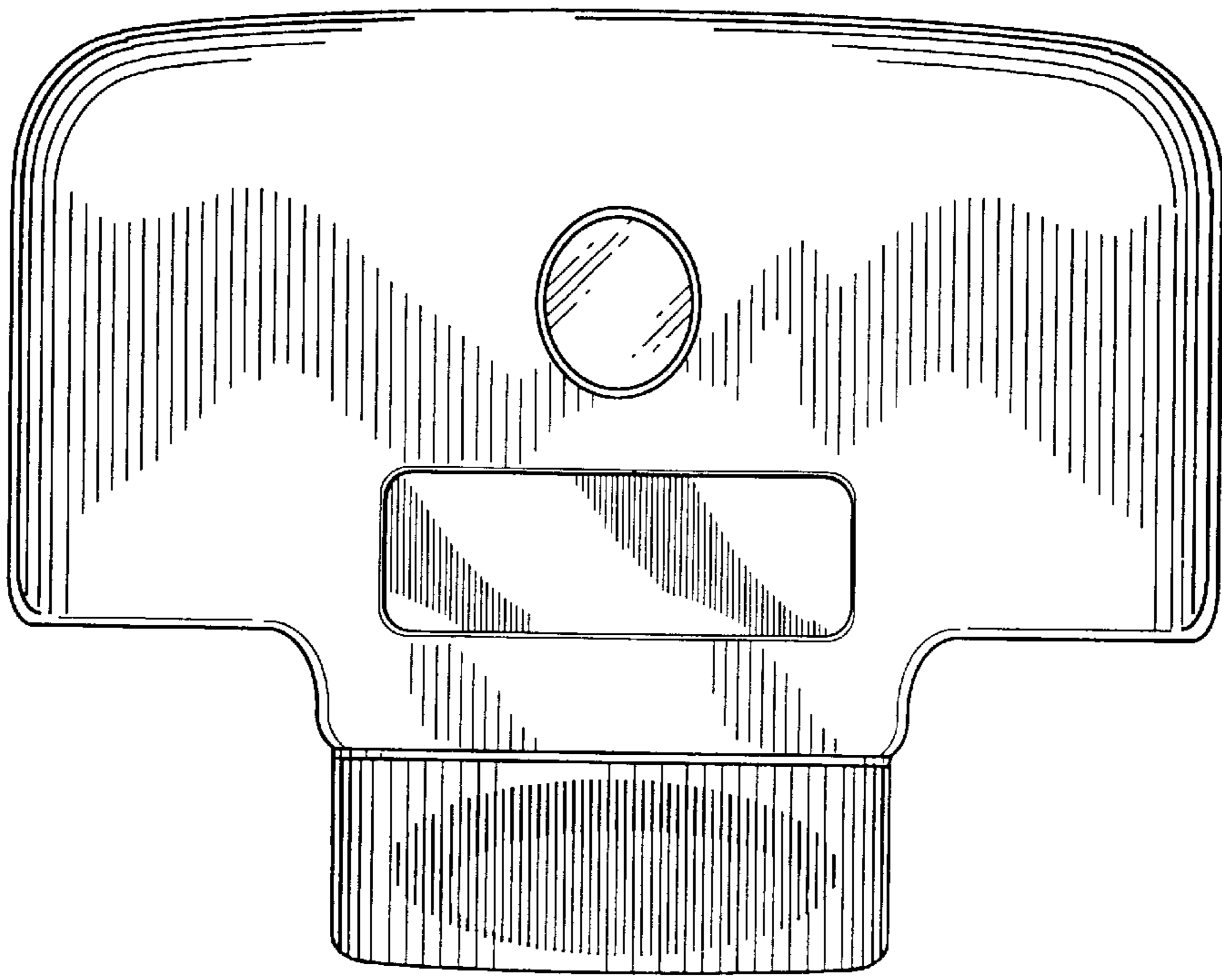


FIG. 3

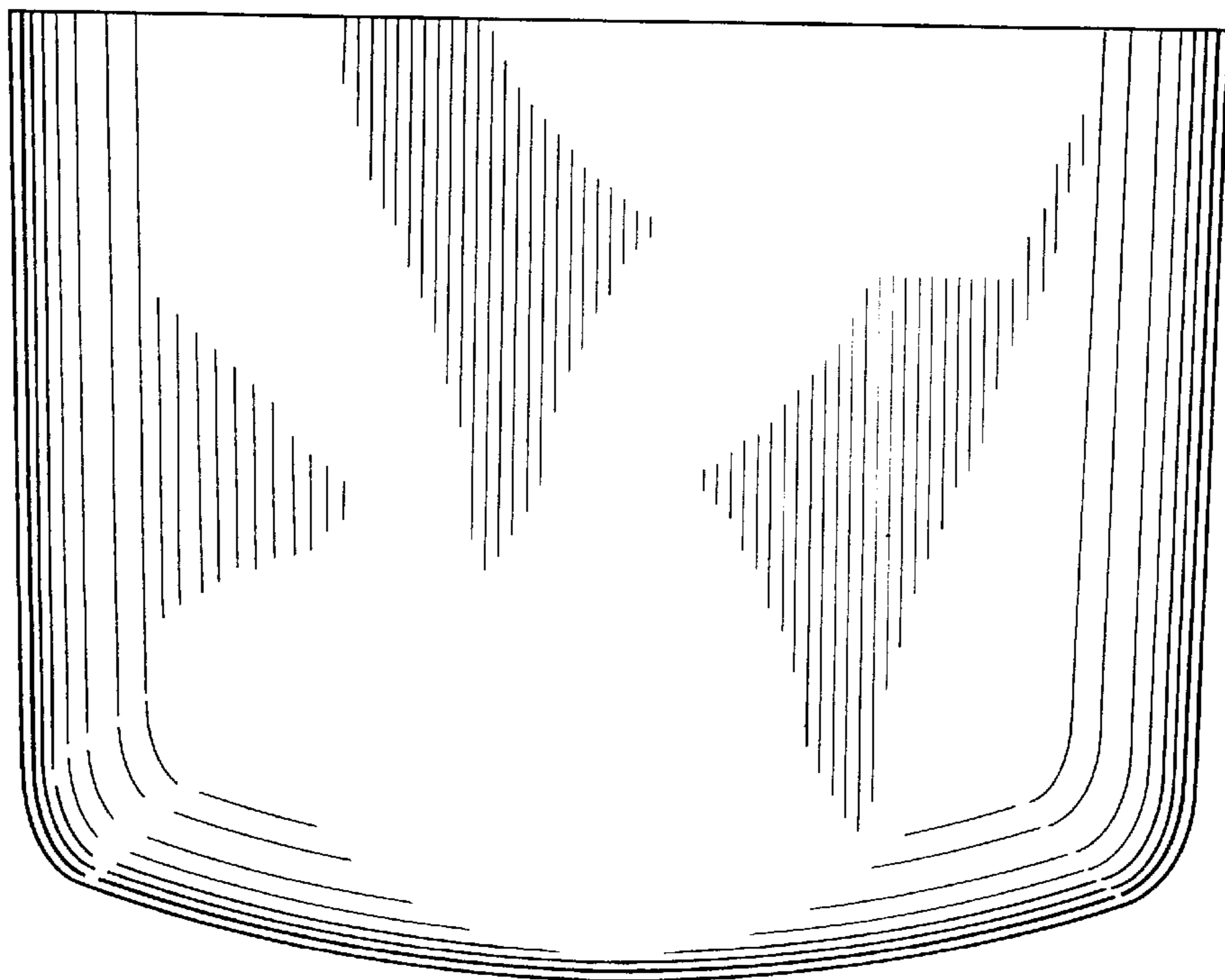


FIG. 4

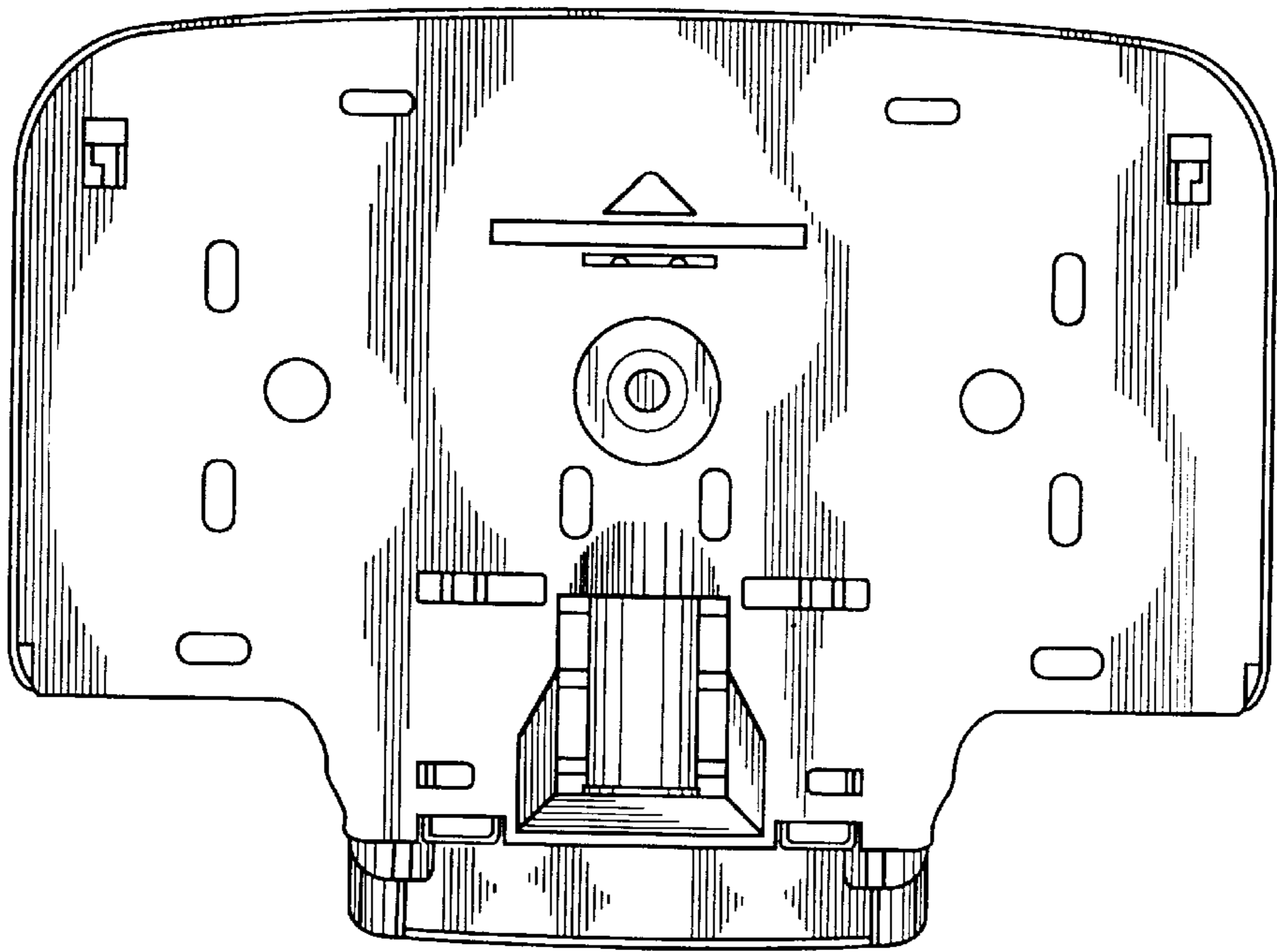


FIG. 5

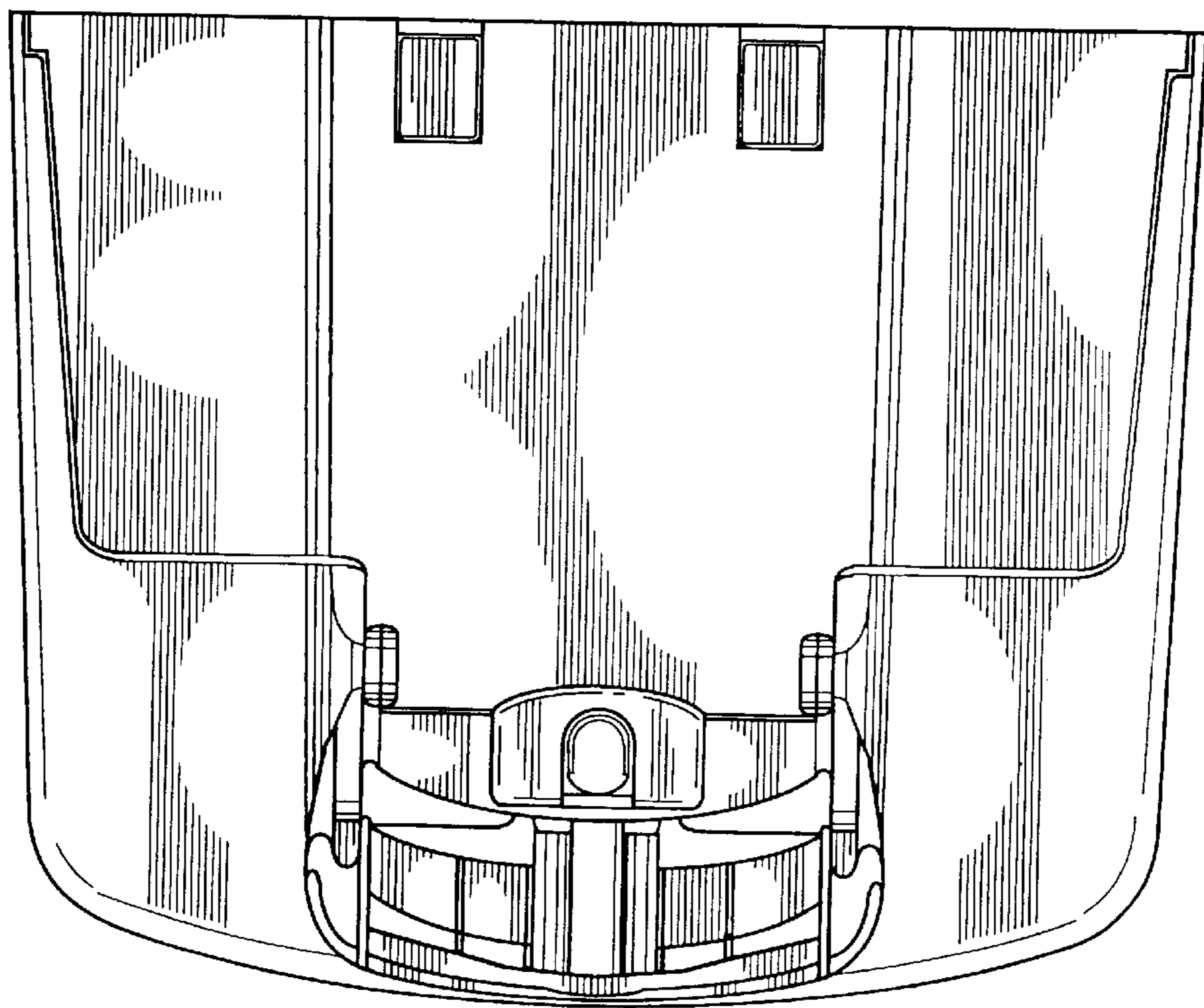


FIG. 6