



US00D414361S

United States Patent [19]

Senecal, Jr.

[11] **Patent Number: Des. 414,361**

[45] **Date of Patent: ** Sep. 28, 1999**

[54] **ROLLED PRODUCT DISPENSER TOOL ADAPTOR**

[76] Inventor: **Oscar J. Senecal, Jr.**, 539 Cypress Dr., Lake Park, Fla. 33493

[**] Term: **14 Years**

[21] Appl. No.: **29/086,714**

[22] Filed: **Apr. 17, 1998**

[51] **LOC (6) Cl.** **06-02**

[52] **U.S. Cl.** **D6/523**

[58] **Field of Search** D6/518-523; 242/597.1, 242/598.1, 599, 599.3, 600

[56] **References Cited**

U.S. PATENT DOCUMENTS

D. 405,305 2/1999 Hobgood D6/523

2,522,109 9/1950 Foltis D6/523

Primary Examiner—Marcus A. Jackson
Attorney, Agent, or Firm—McHale & Slavin

[57] **CLAIM**

The ornamental design for a rolled product dispenser tool adaptor, as shown and described.

DESCRIPTION

FIG. 1 is a perspective view of a rolled product dispenser tool adaptor showing my new design; FIG. 2 is a side elevation view thereof, with the opposite side being a mirror image thereof; FIG. 3 is a top plan view thereof; FIG. 4 is a bottom plan view thereof; FIG. 5 is a first end view thereof; and, FIG. 6 is a second end view thereof.

1 Claim, 2 Drawing Sheets

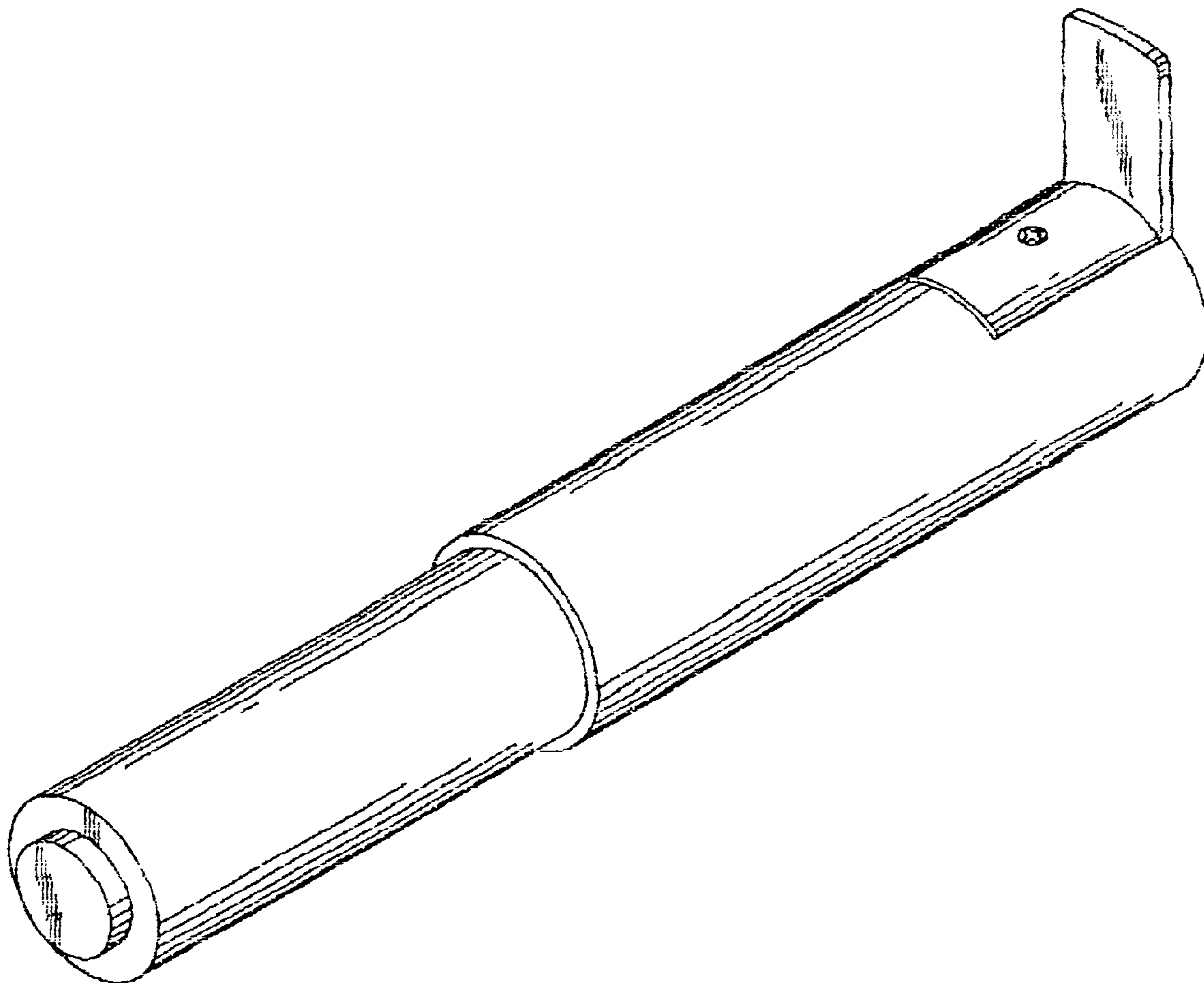


FIG. 1

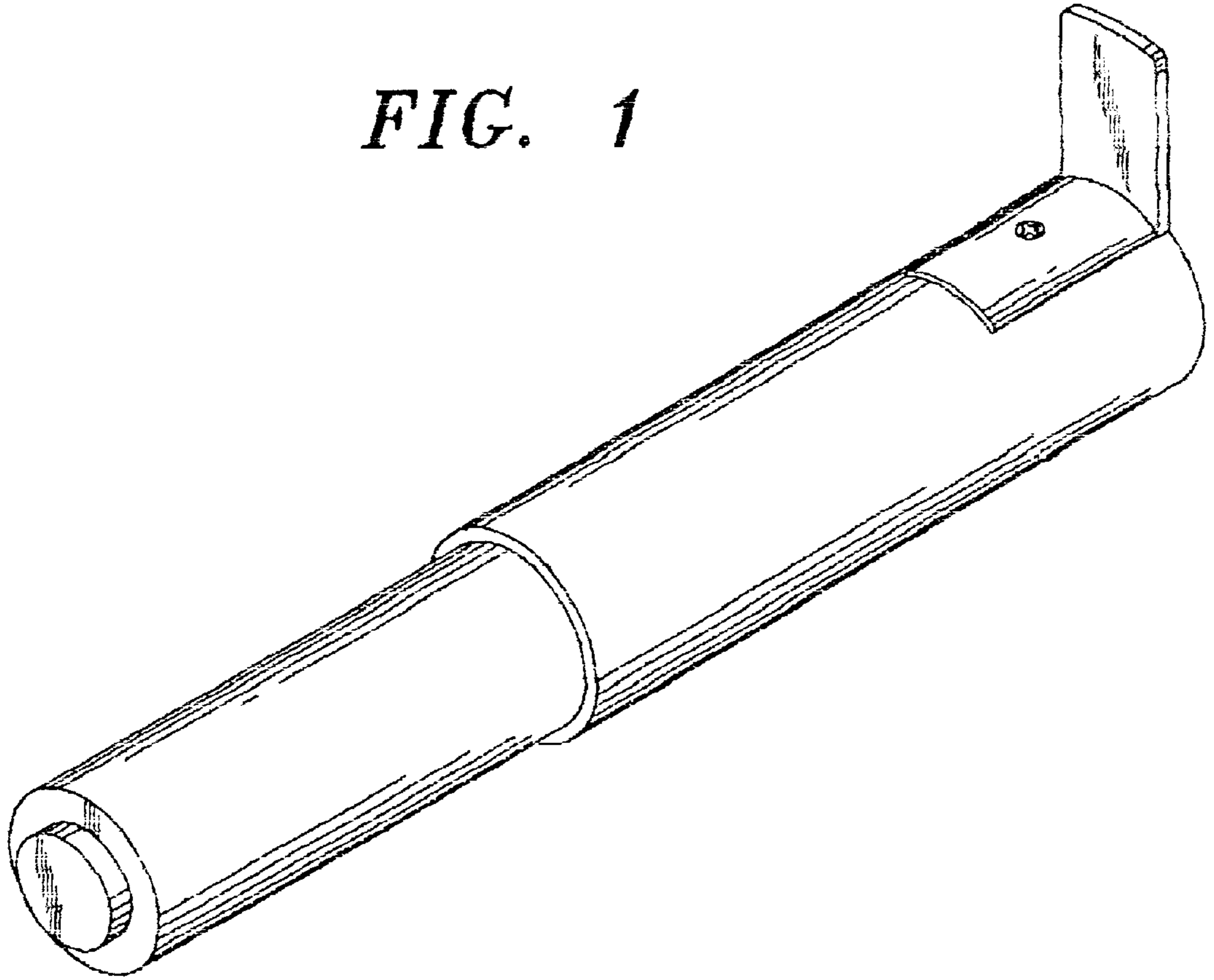


FIG. 5

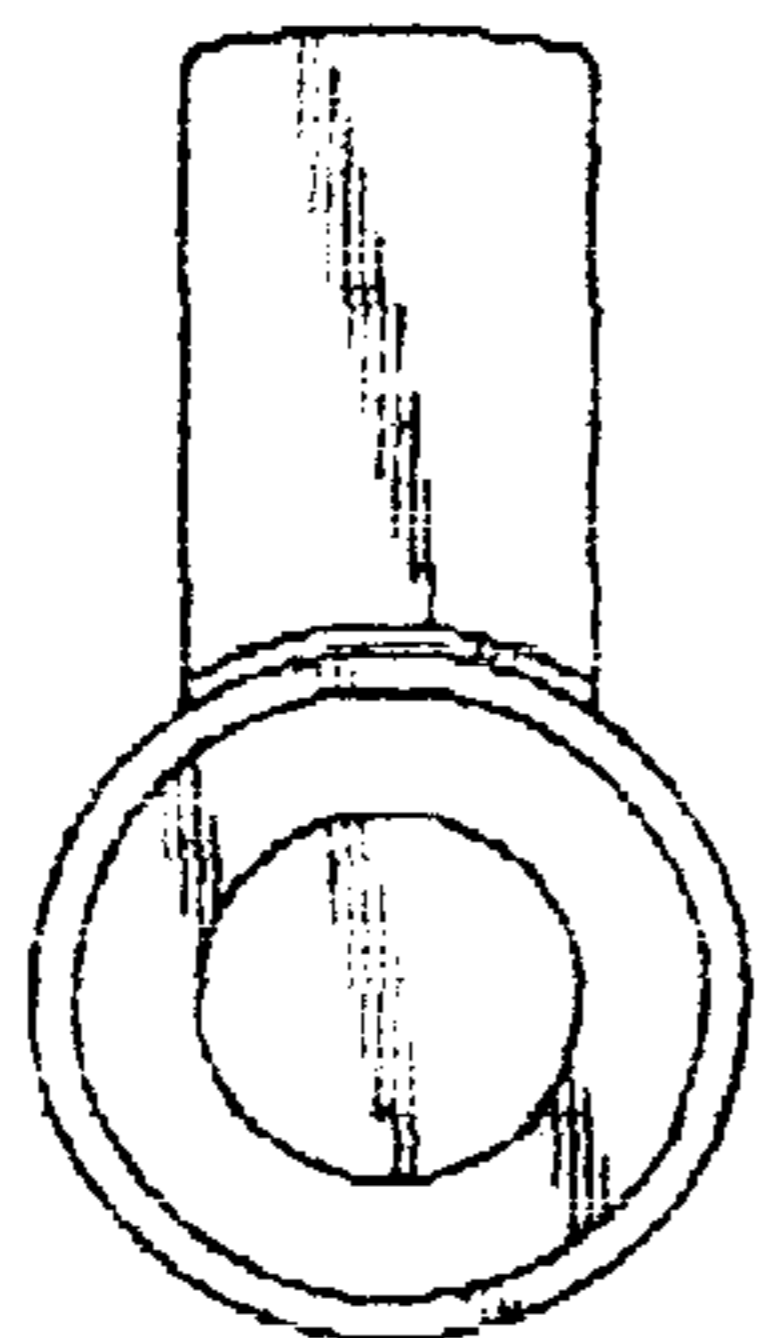


FIG. 6

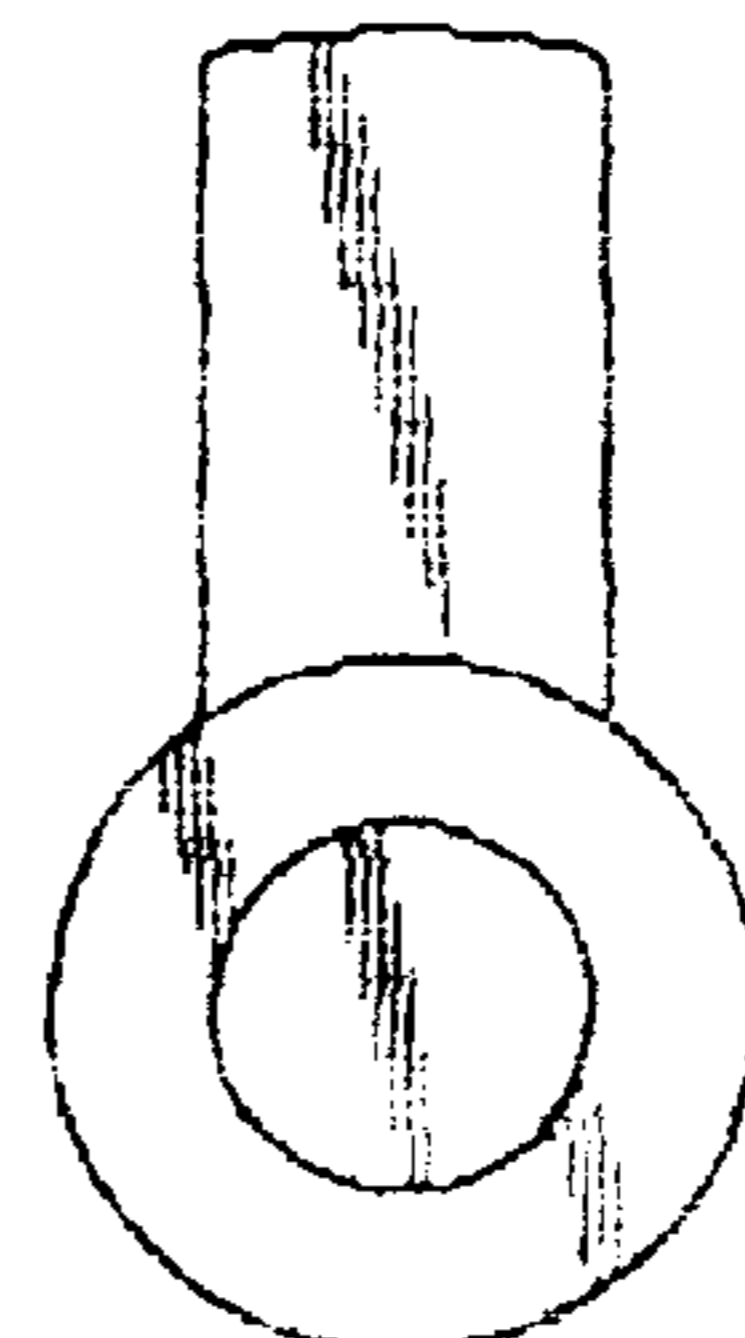


FIG. 2

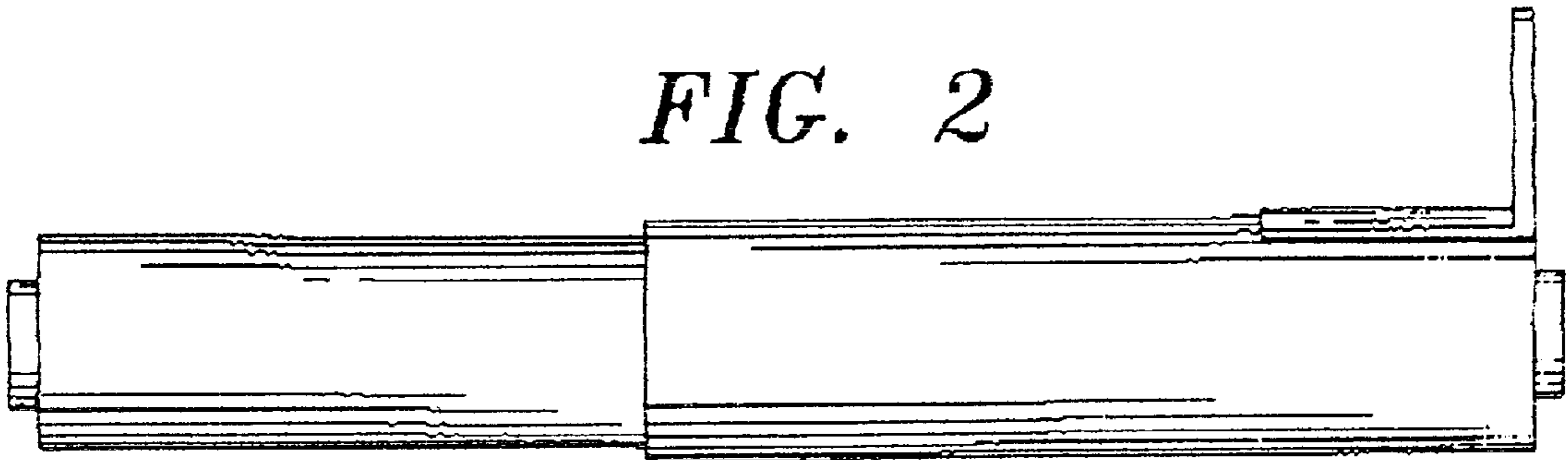


FIG. 3

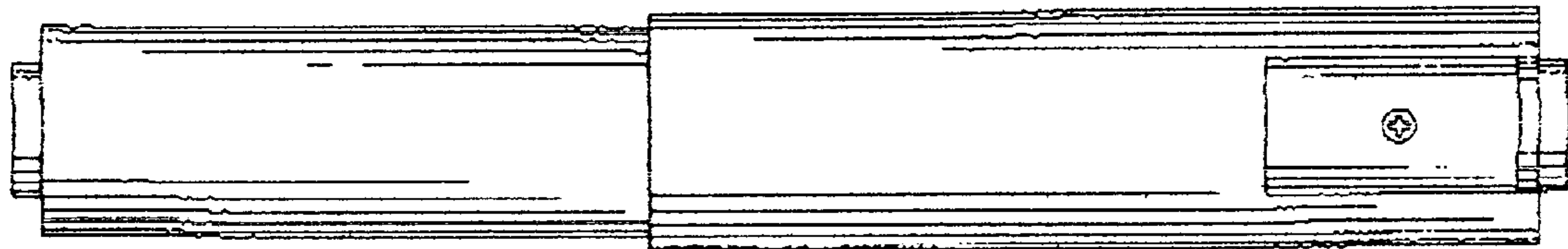


FIG. 4

