



US00D414360S

**United States Patent** [19]  
**Warshawsky**

[11] **Patent Number: Des. 414,360**

[45] **Date of Patent: \*\* Sep. 28, 1999**

[54] **DRINKING CUP DISPENSER**

4,199,076 4/1980 Brown ..... D6/516

[75] Inventor: **Jerome Warshawsky**, Hewlett Harbor, N.Y.

*Primary Examiner*—Marcus A. Jackson  
*Attorney, Agent, or Firm*—Alfred M. Walker

[73] Assignee: **I.W. Industries, Inc.**, Melville, N.Y.

[57] **CLAIM**

[\*\*] Term: **14 Years**

The ornamental design for a drinking cup dispenser, as shown and described.

[21] Appl. No.: **29/089,581**

**DESCRIPTION**

[22] Filed: **Jun. 18, 1998**

[51] **LOC (6) Cl.** ..... **06-02**

[52] **U.S. Cl.** ..... **D6/516**

[58] **Field of Search** ..... D6/515, 516, 518,  
D6/522, 523, 535, 534; D7/507, 619, 591;  
206/139, 390, 427, 446; 211/13

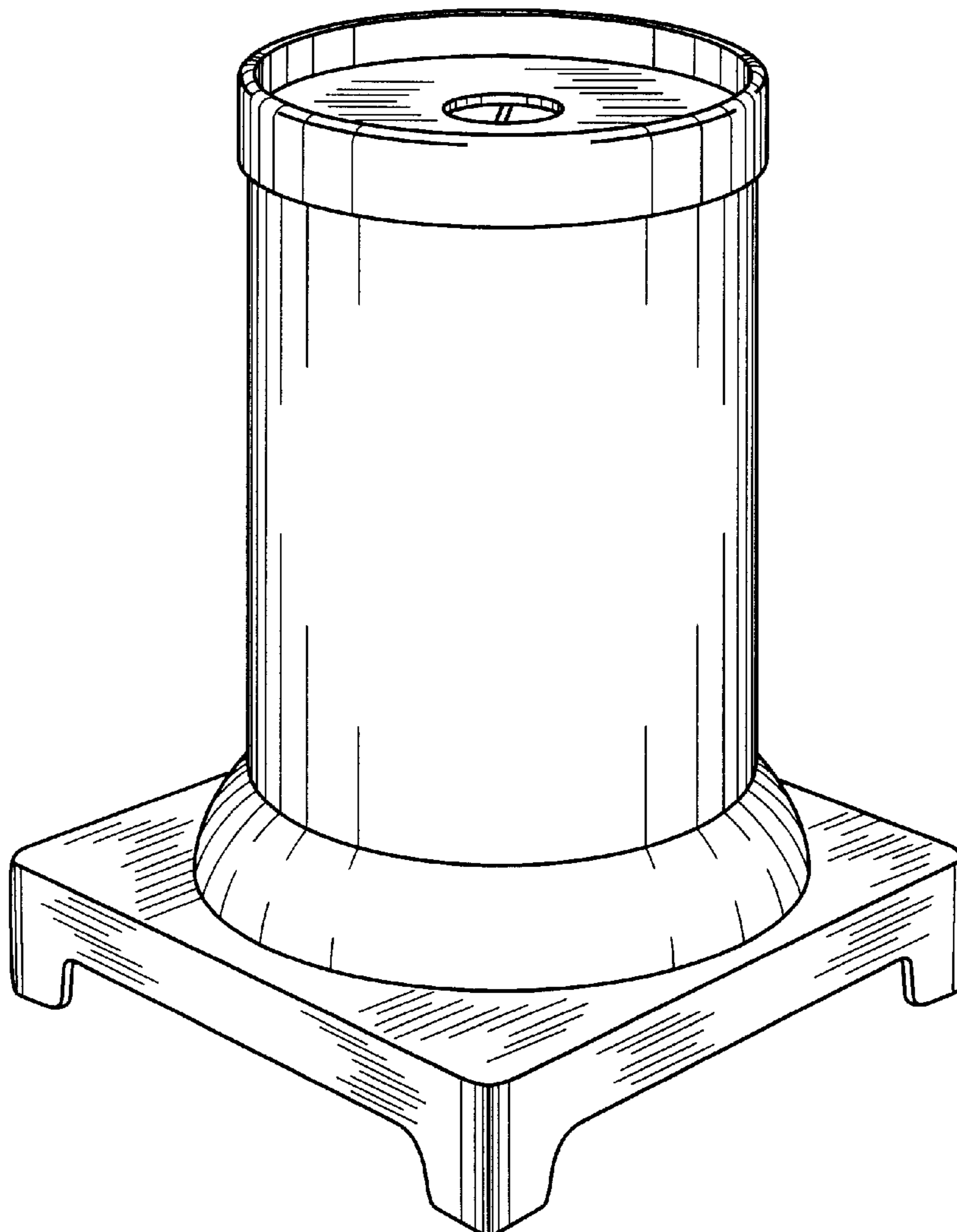
FIG. 1 is a perspective view of a drinking cup dispenser, showing my new design;  
FIG. 2 is a front elevational view thereof, the rear elevational view, right side elevational view and left side elevational view being mirror images thereof;  
FIG. 3 is a top plan view thereof;  
FIG. 4 is a bottom view, thereof; and,  
FIG. 5 is a perspective view thereof showing a cup in phantom dotted lines for environmental purposes only.

[56] **References Cited**

**U.S. PATENT DOCUMENTS**

D. 392,134 3/1998 Hadtke et al. .... D6/516

**1 Claim, 4 Drawing Sheets**



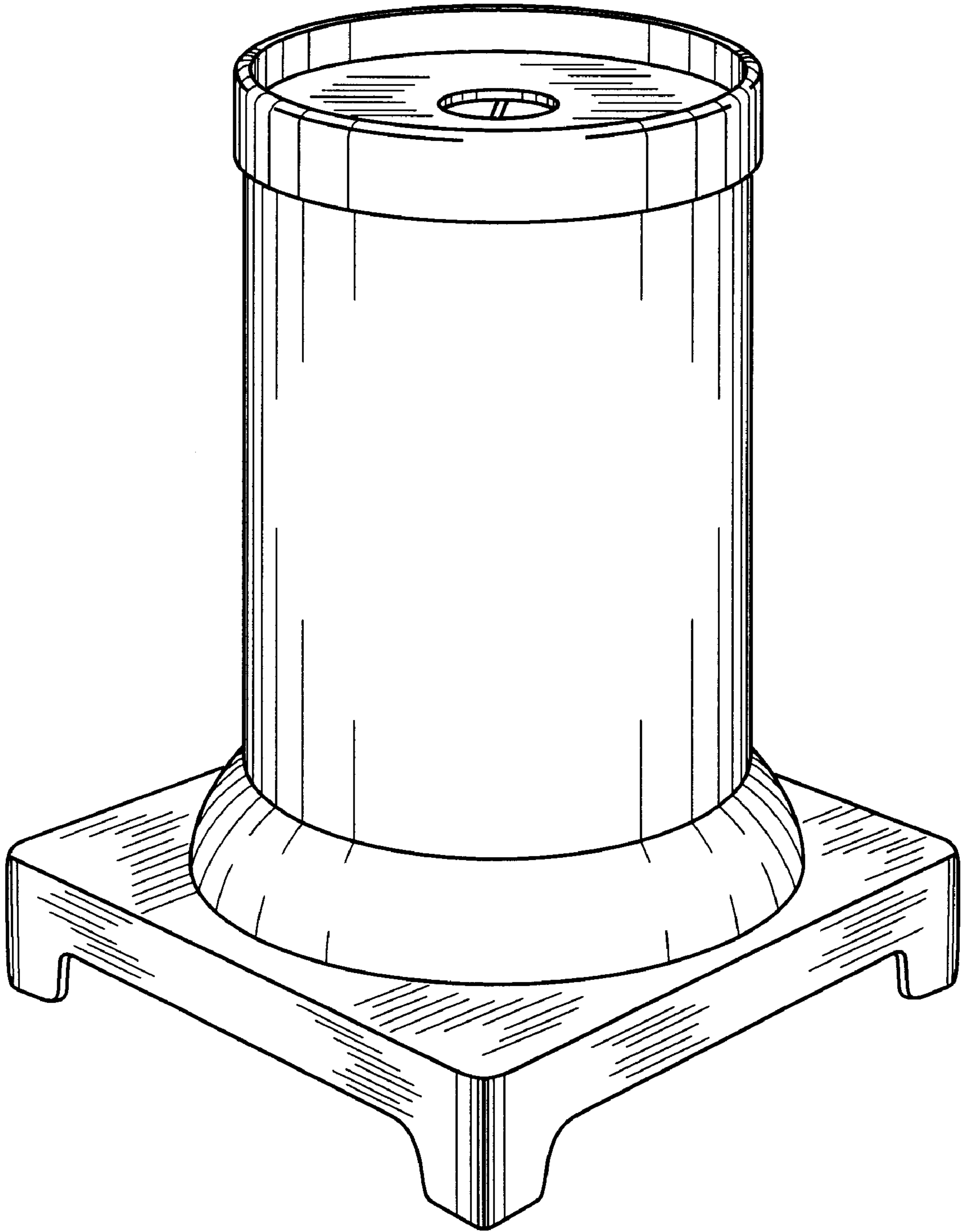


FIG. 1

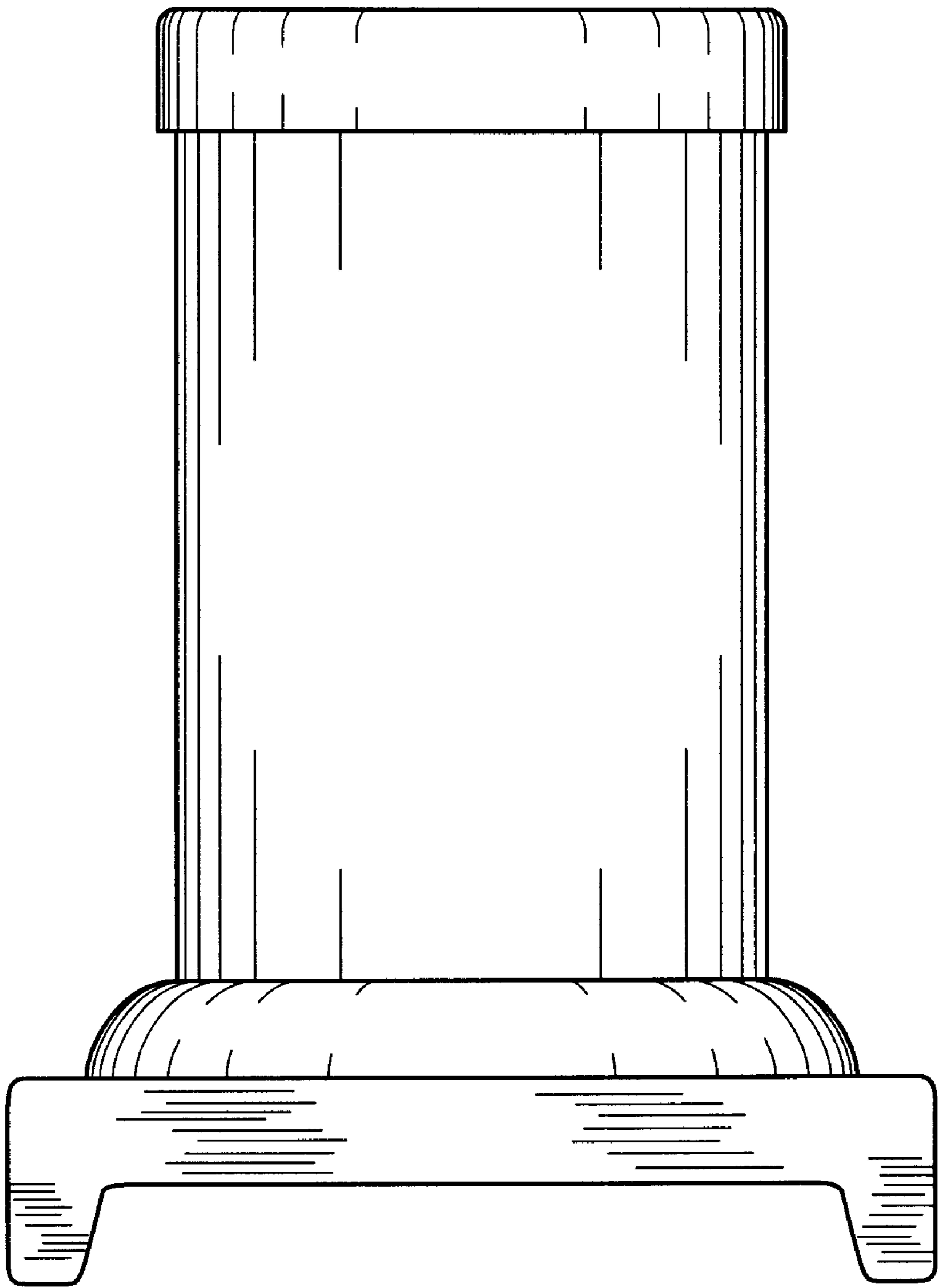


FIG. 2

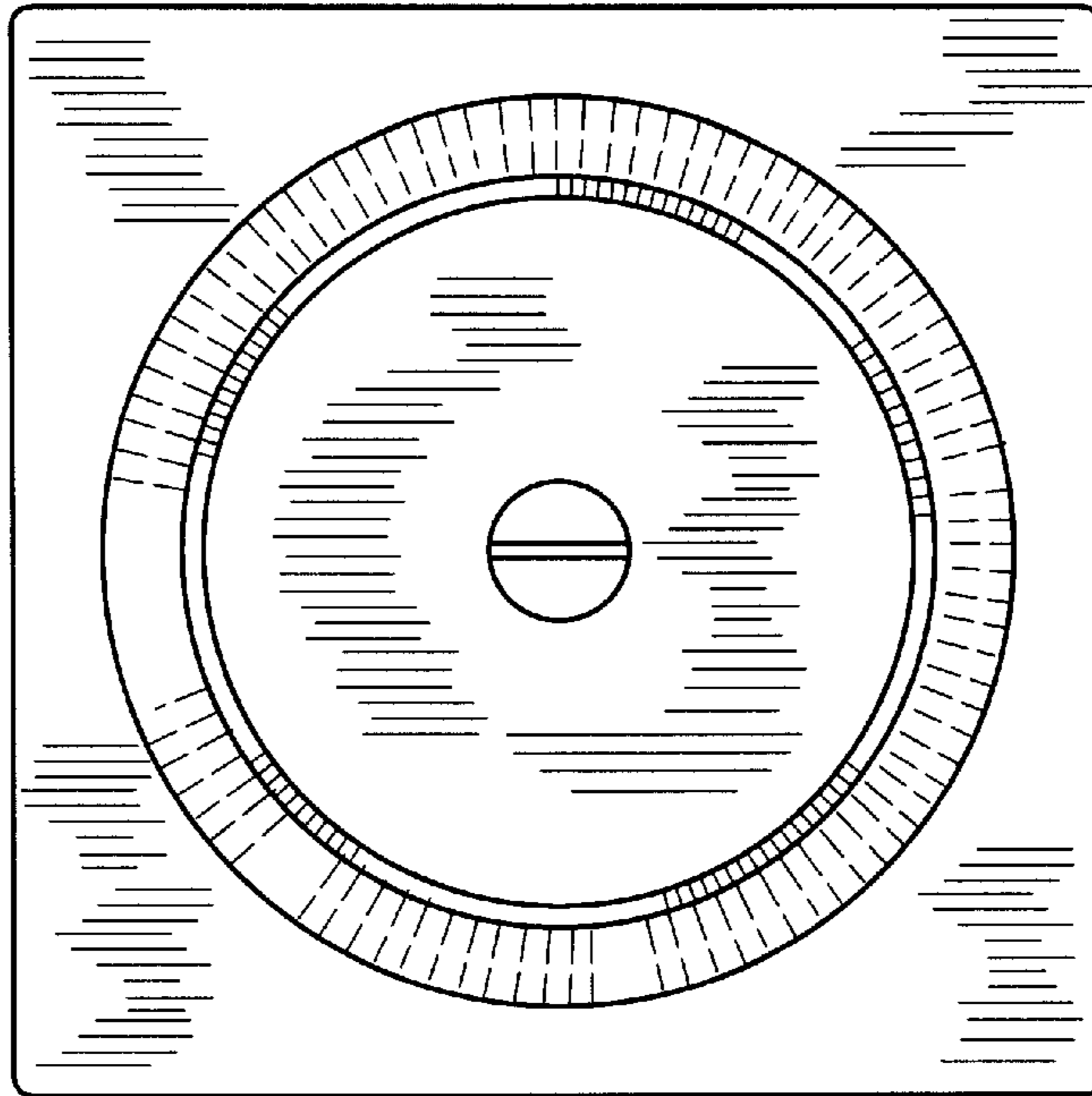


FIG. 3

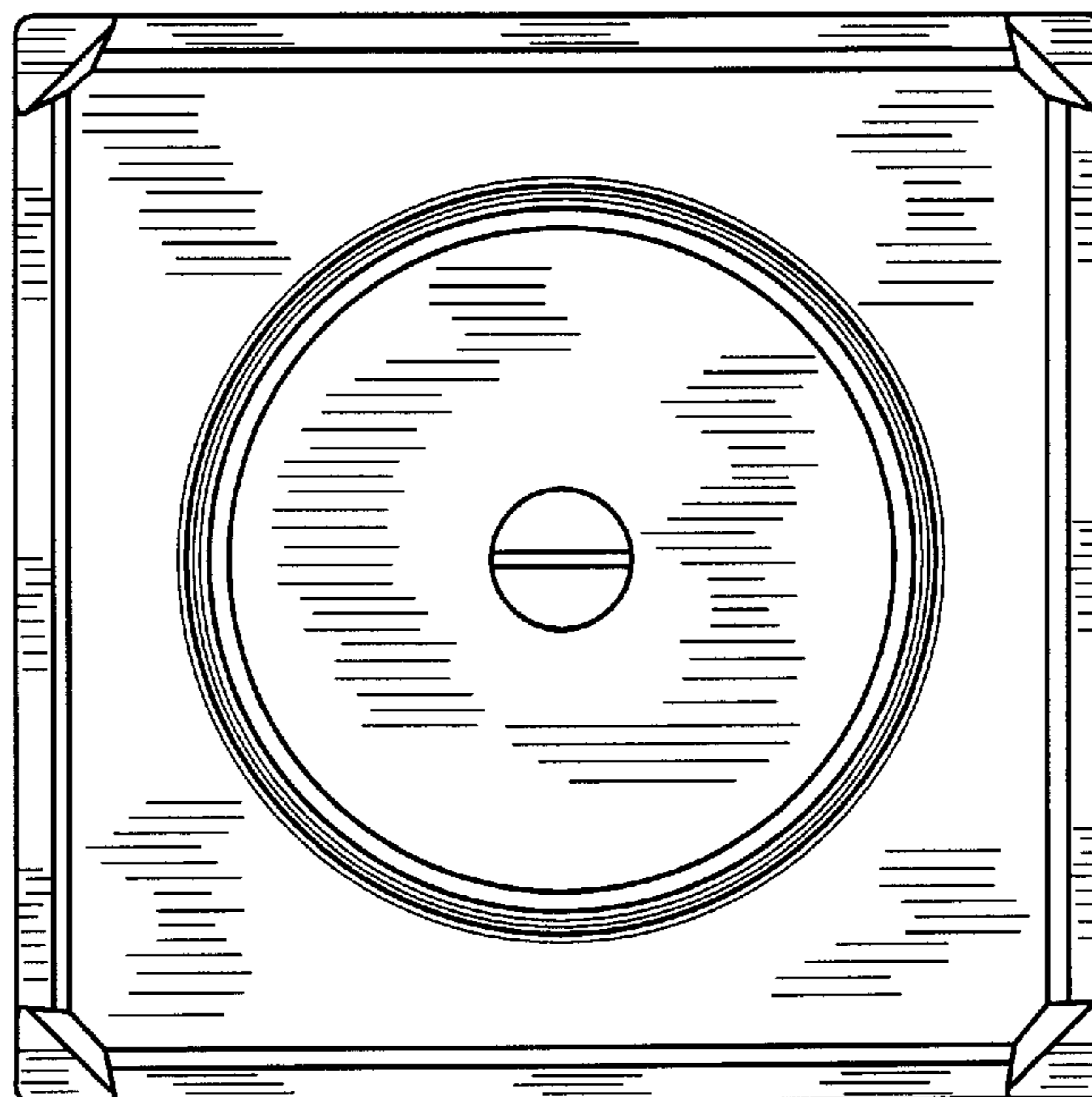


FIG. 4

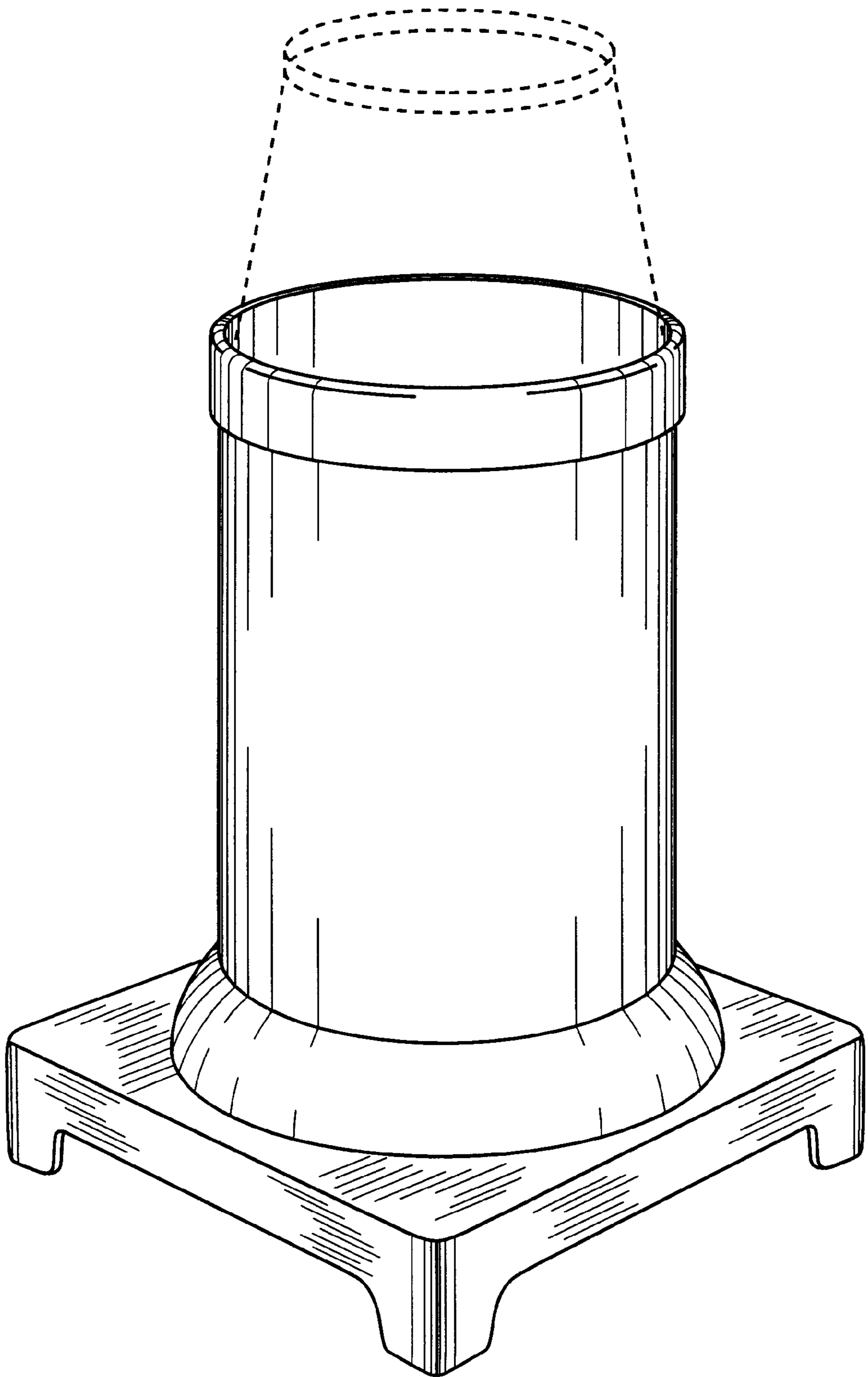


FIG. 5