



US00D414357S

# United States Patent [19]

[11] **Patent Number: Des. 414,357**

**Fu**

[45] **Date of Patent: \*\* Sep. 28, 1999**

[54] **WHEELED TABLE FOOT**

4,786,021 11/1988 Vattier ..... 248/188

[76] Inventor: **Sam Fu**, Chung-siao E. Rd., Taipei, Taiwan

*Primary Examiner*—Janice E. Seeger  
*Attorney, Agent, or Firm*—Pro-Techtor International Services

[\*\*] Term: **14 Years**

[57] **CLAIM**

[21] Appl. No.: **29/095,656**

The ornamental design for a wheeled table foot, as shown and described.

[22] Filed: **Oct. 27, 1998**

**DESCRIPTION**

[51] **LOC (6) Cl.** ..... **06-06**

[52] **U.S. Cl.** ..... **D6/495; D6/498**

[58] **Field of Search** ..... D6/480-489, 495, D6/498, 499, 422, 423; 108/153.1, 156, 161; 248/188, 188.1, 188.7, 188.8

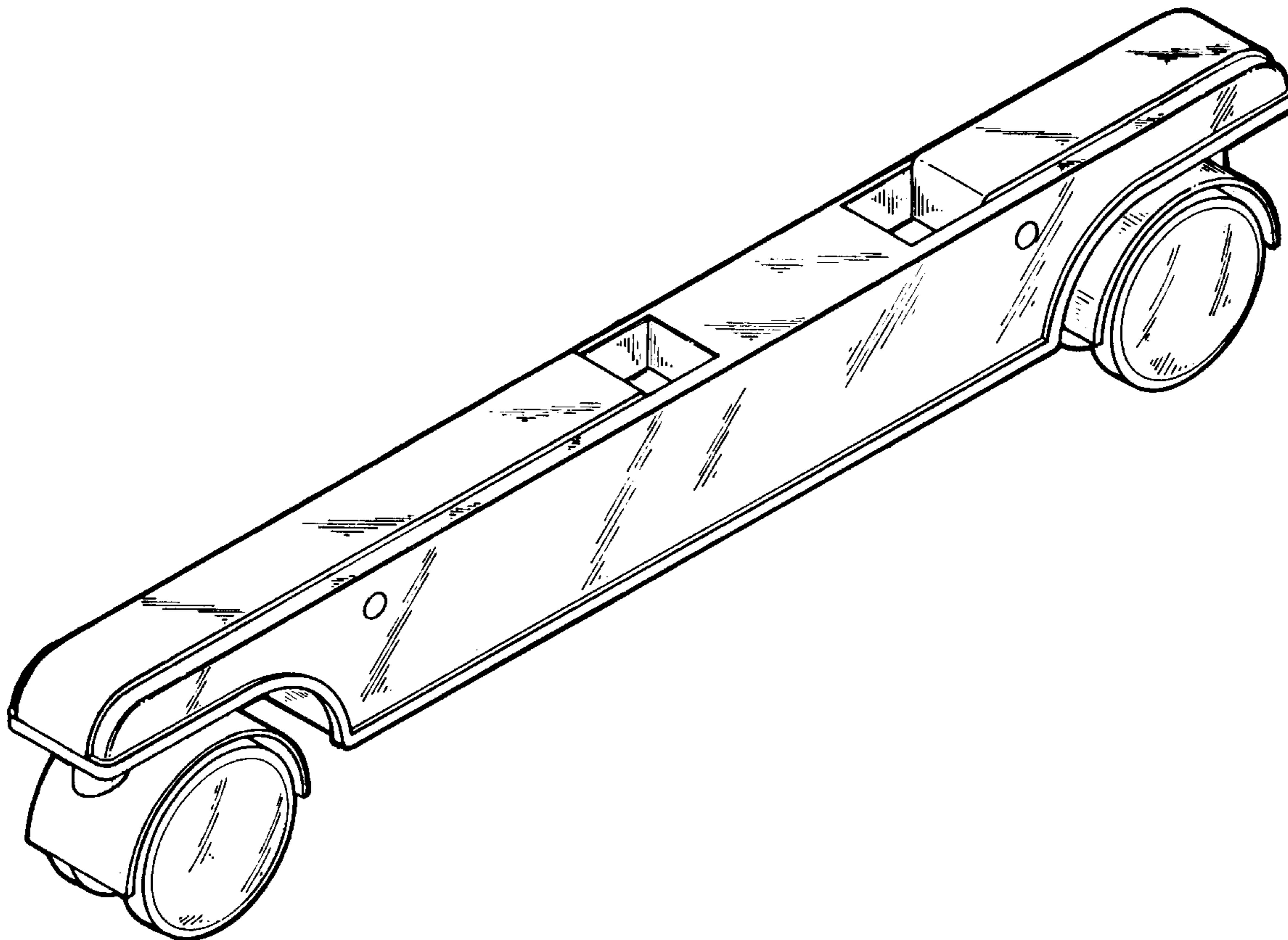
FIG. 1 is the perspective view of a Wheeled Table Foot showing my new design;  
FIG. 2 is the front elevation view thereof;  
FIG. 3 is the rear elevation view thereof;  
FIG. 4 is the left side view thereof;  
FIG. 5 is the right side view thereof;  
FIG. 6 is the top plan view thereof; and,  
FIG. 7 is the bottom plan view thereof.

[56] **References Cited**

**U.S. PATENT DOCUMENTS**

- D. 320,320 10/1991 Ditshuizen ..... D6/422
- D. 336,393 6/1993 Saotome ..... D6/484

**1 Claim, 3 Drawing Sheets**



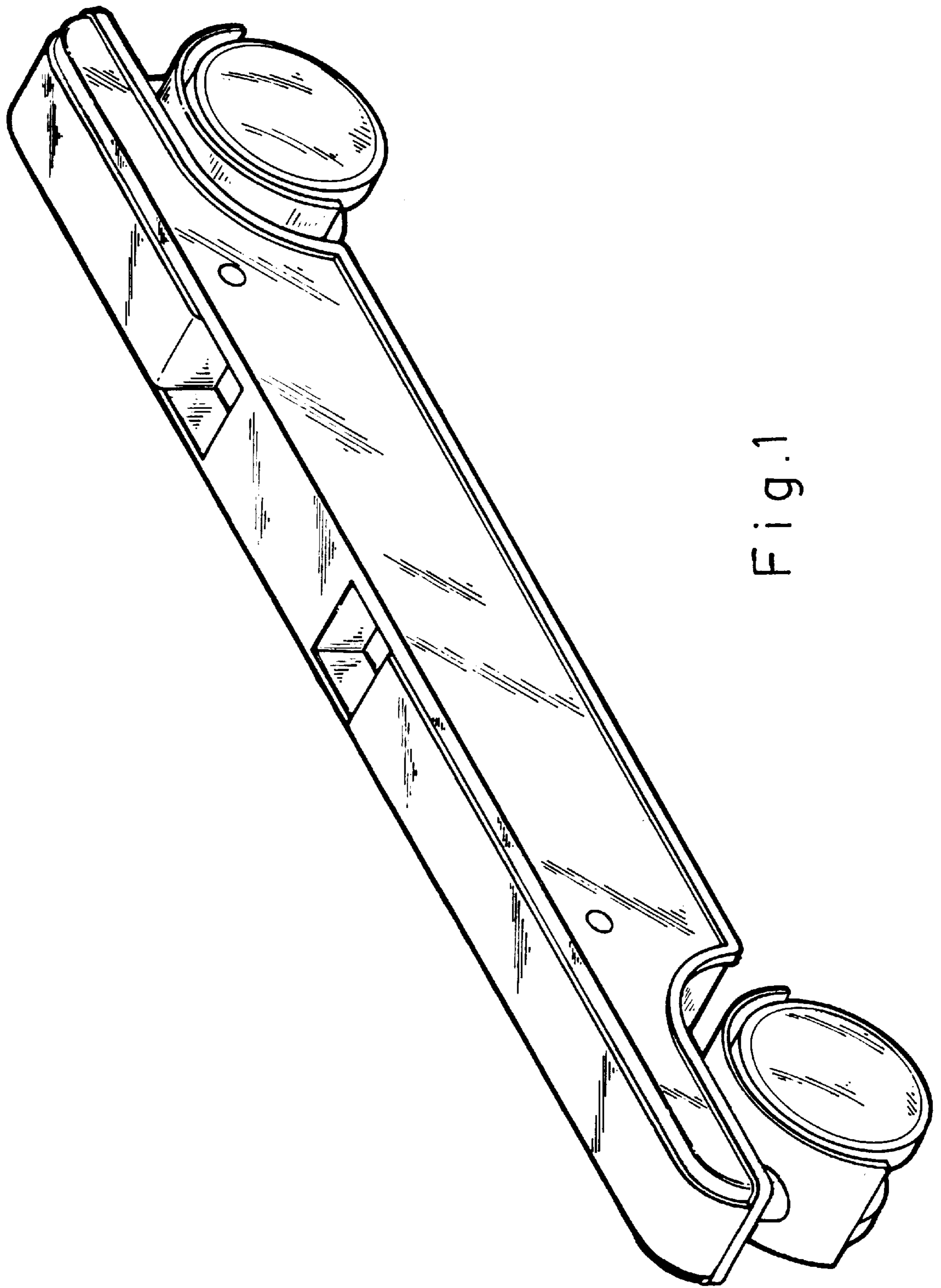


Fig. 1



Fig. 2



Fig. 3

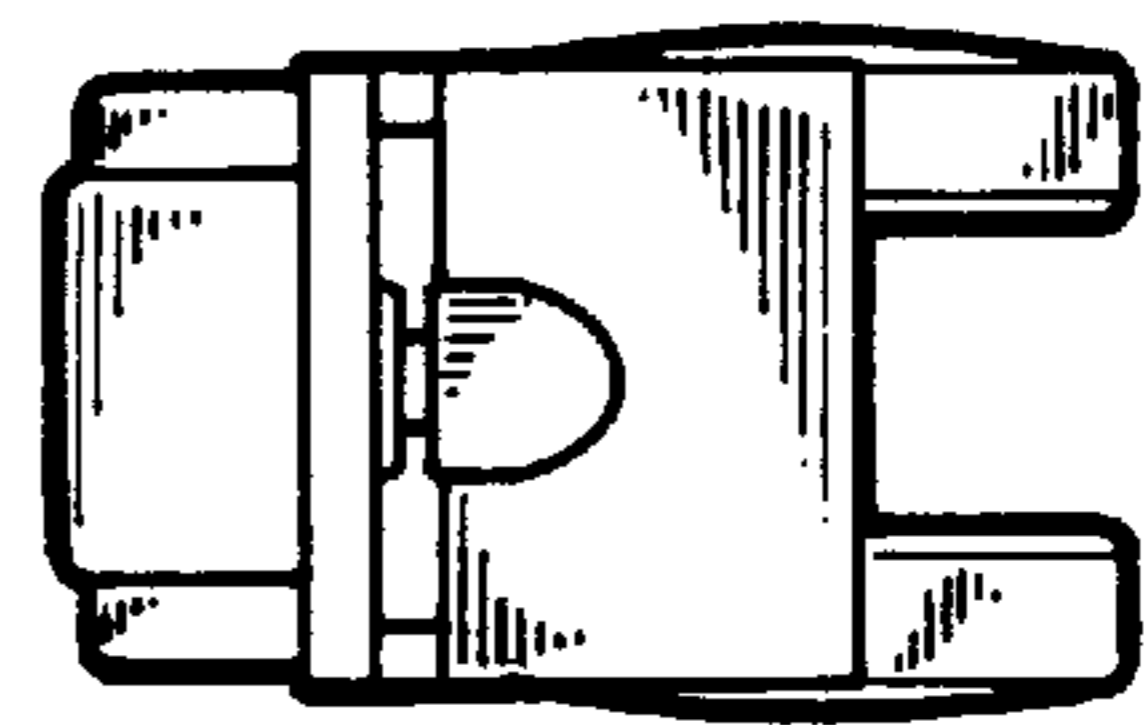


Fig. 4

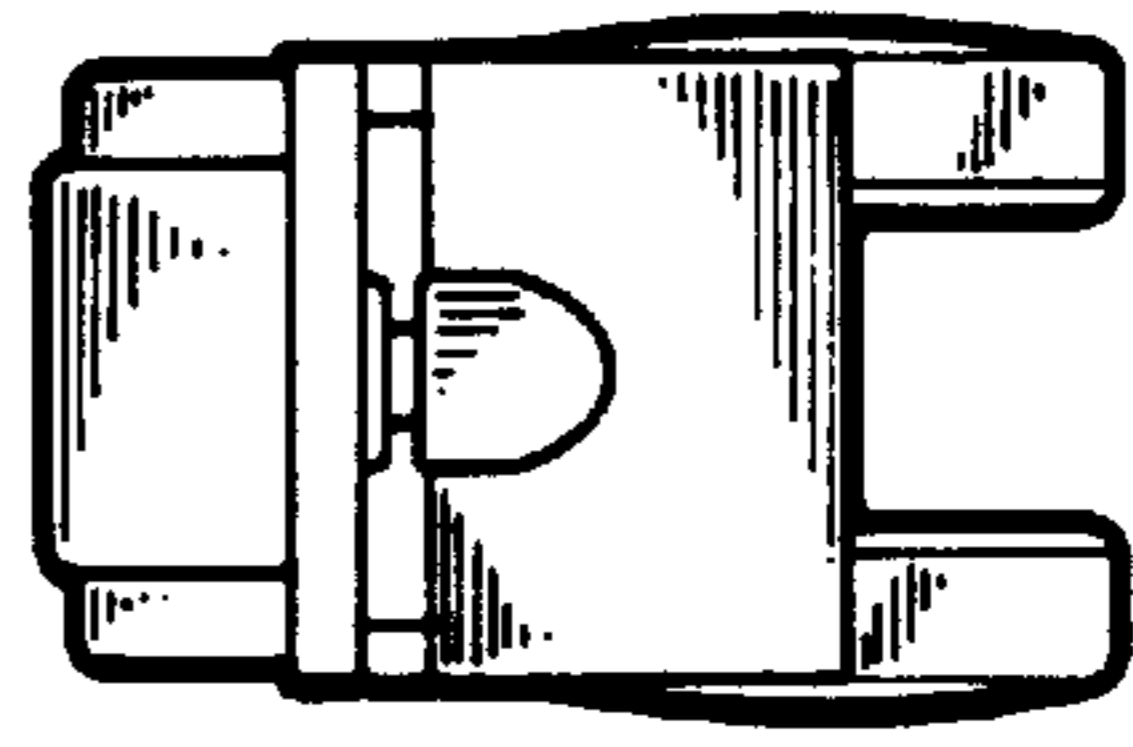


Fig. 5

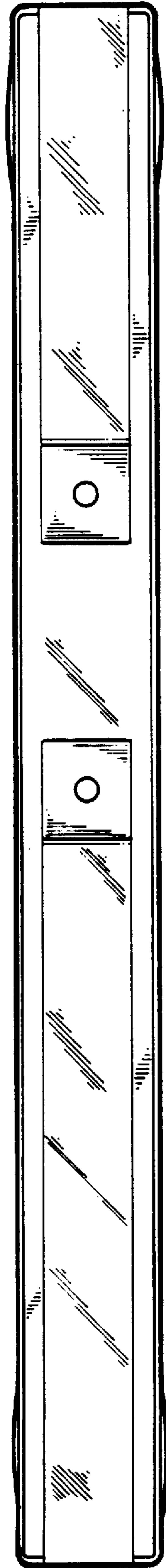


Fig. 6

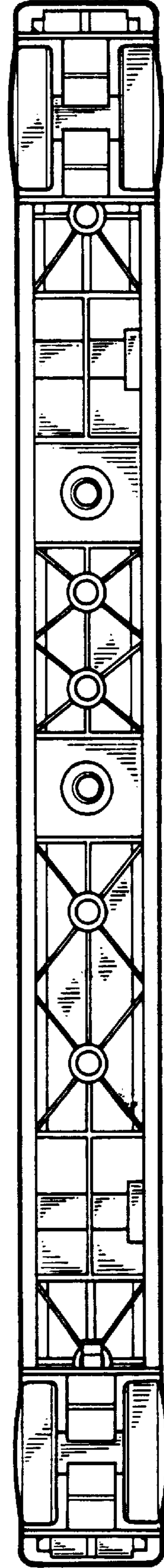


Fig. 7