



US00D414354S

**United States Patent** [19]  
**Gower**

[11] **Patent Number: Des. 414,354**

[45] **Date of Patent: \*\* Sep. 28, 1999**

[54] **END TABLE**

[75] Inventor: **Andrew Gower**, Berkeley, Calif.

[73] Assignee: **Kingsley-Bate Co. Ltd.**, Fairfax, Va.

[\*\*] Term: **14 Years**

[21] Appl. No.: **29/096,353**

[22] Filed: **Nov. 11, 1998**

[51] **LOC (6) Cl.** ..... **06-03**

[52] **U.S. Cl.** ..... **D6/484; D6/480**

[58] **Field of Search** ..... D6/480-489, 495-499,  
D6/511, 477, 436; 108/50.12, 153.1, 155,  
156, 157.1, 161; 248/188, 188.1, 188.8

[56] **References Cited**

**U.S. PATENT DOCUMENTS**

- D. 249,312 9/1978 Taber ..... D6/484
- D. 312,736 12/1990 Grosfillex ..... D6/349

**OTHER PUBLICATIONS**

Lister by Geerro, Oct. 1, 1994, Lutyens coffee table at top right.

Carsons, May 12, 1983, #08325 table at top left.

*Primary Examiner*—Janice E. Seeger  
*Attorney, Agent, or Firm*—John M. Harrington; Kilpatrick Stockton LLP

[57] **CLAIM**

The ornamental design for end table, as shown and described.

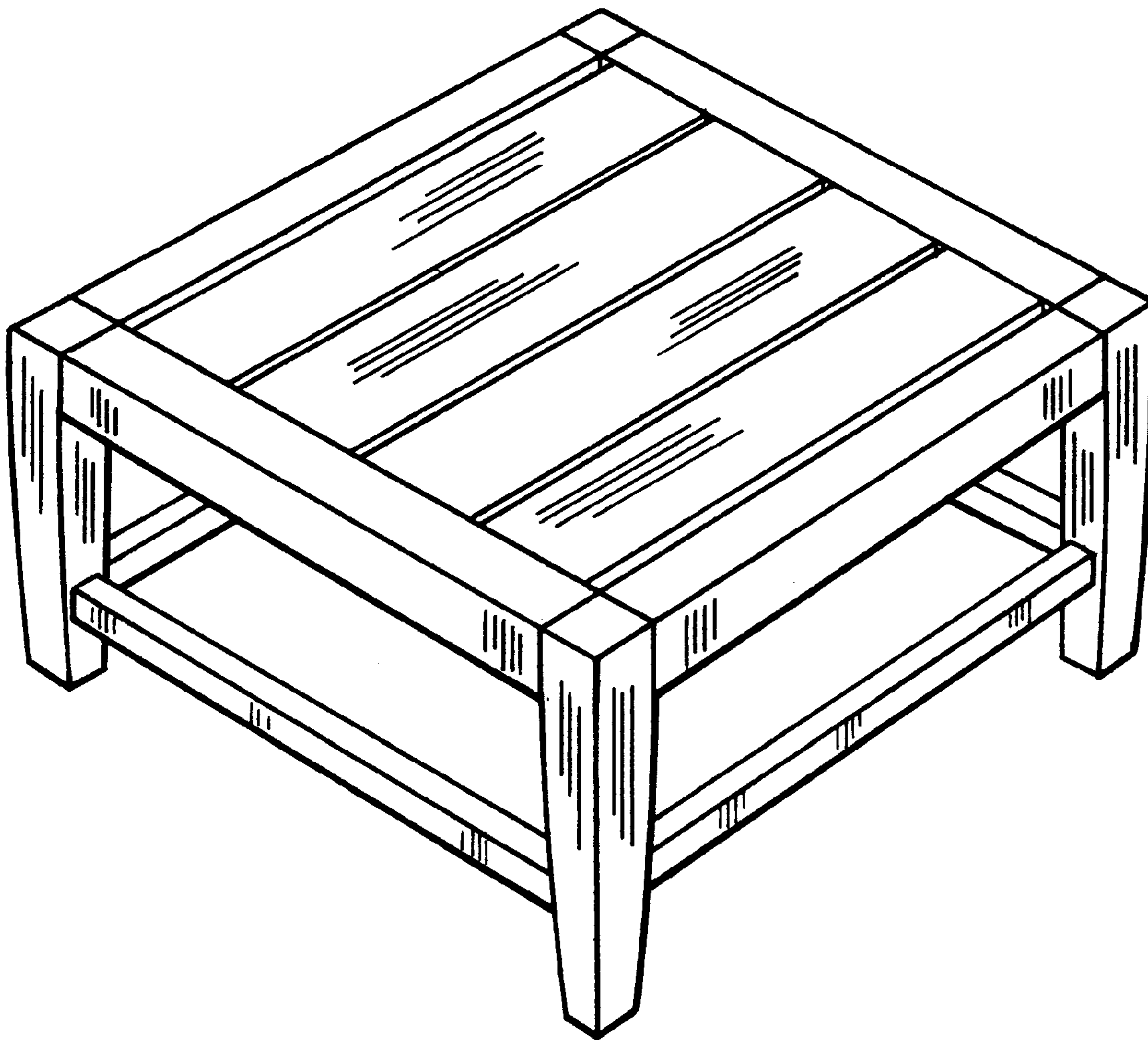
**DESCRIPTION**

FIG. 1 is a front perspective view of an end table of my new design;

FIG. 2 is a side elevational view of the end table of FIG. 1 the opposite side being identical thereto; and,

FIG. 3 is a rear elevational view of the end table of FIG. 1.

**1 Claim, 1 Drawing Sheet**



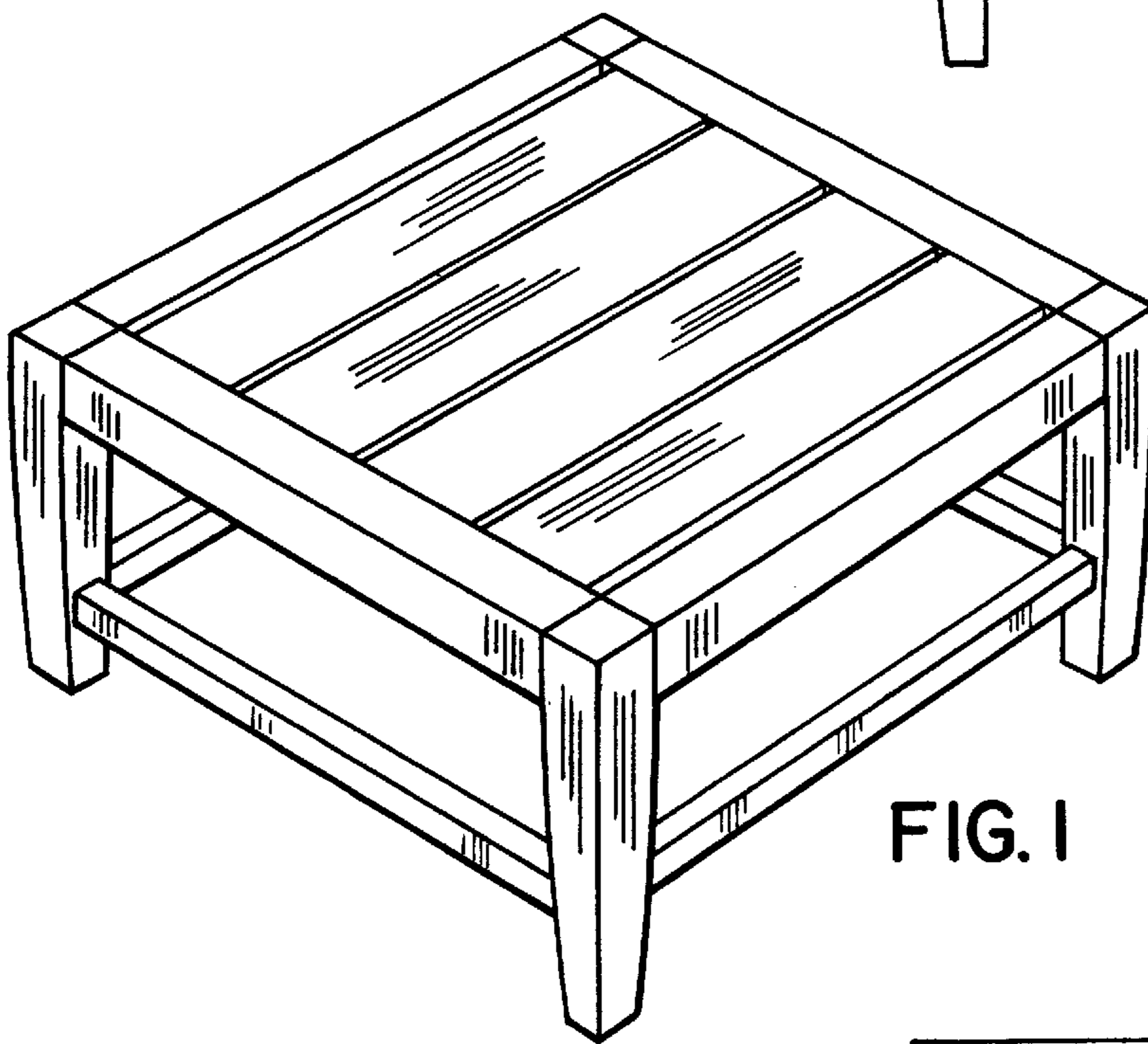


FIG. 1

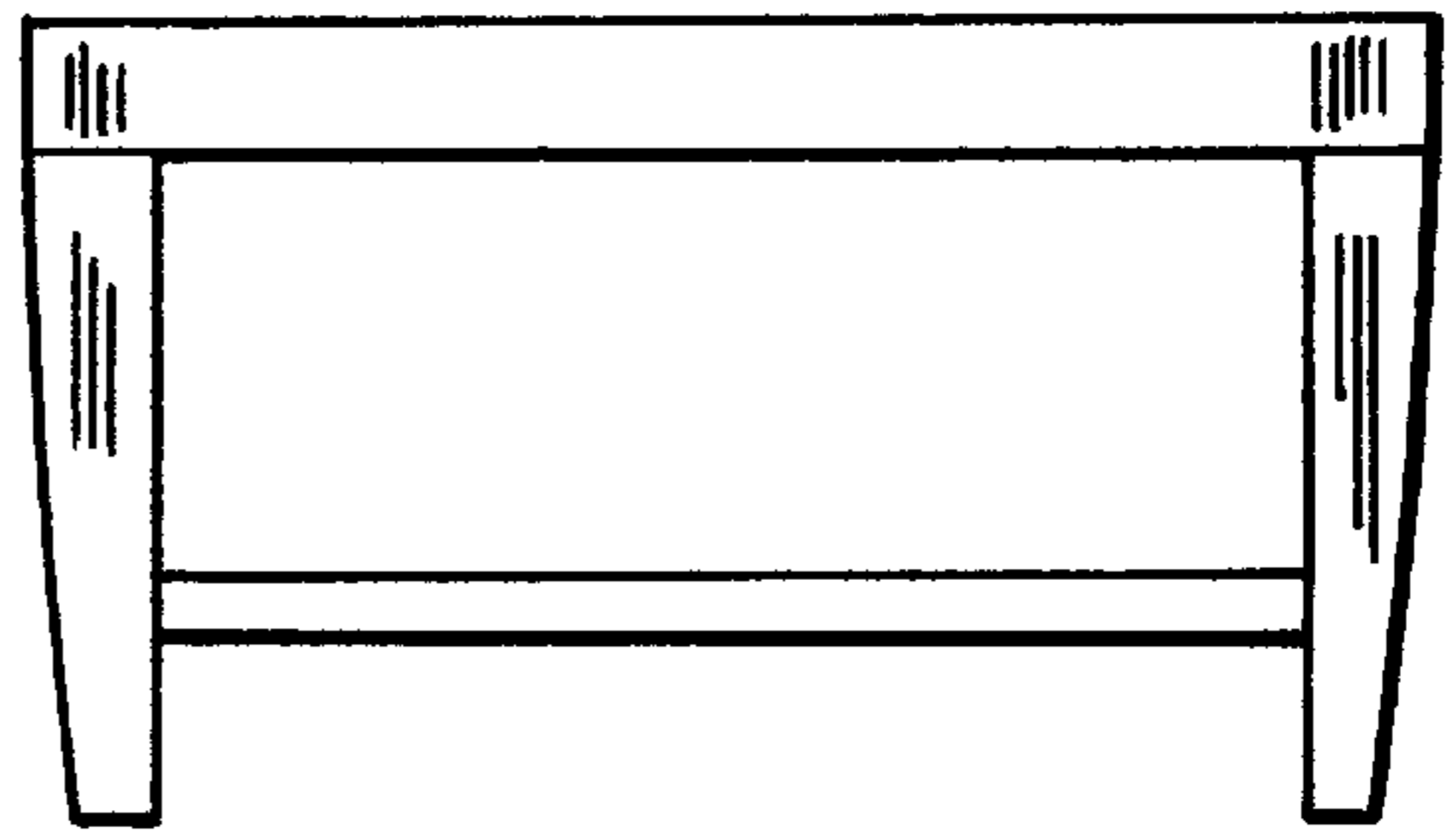


FIG. 2

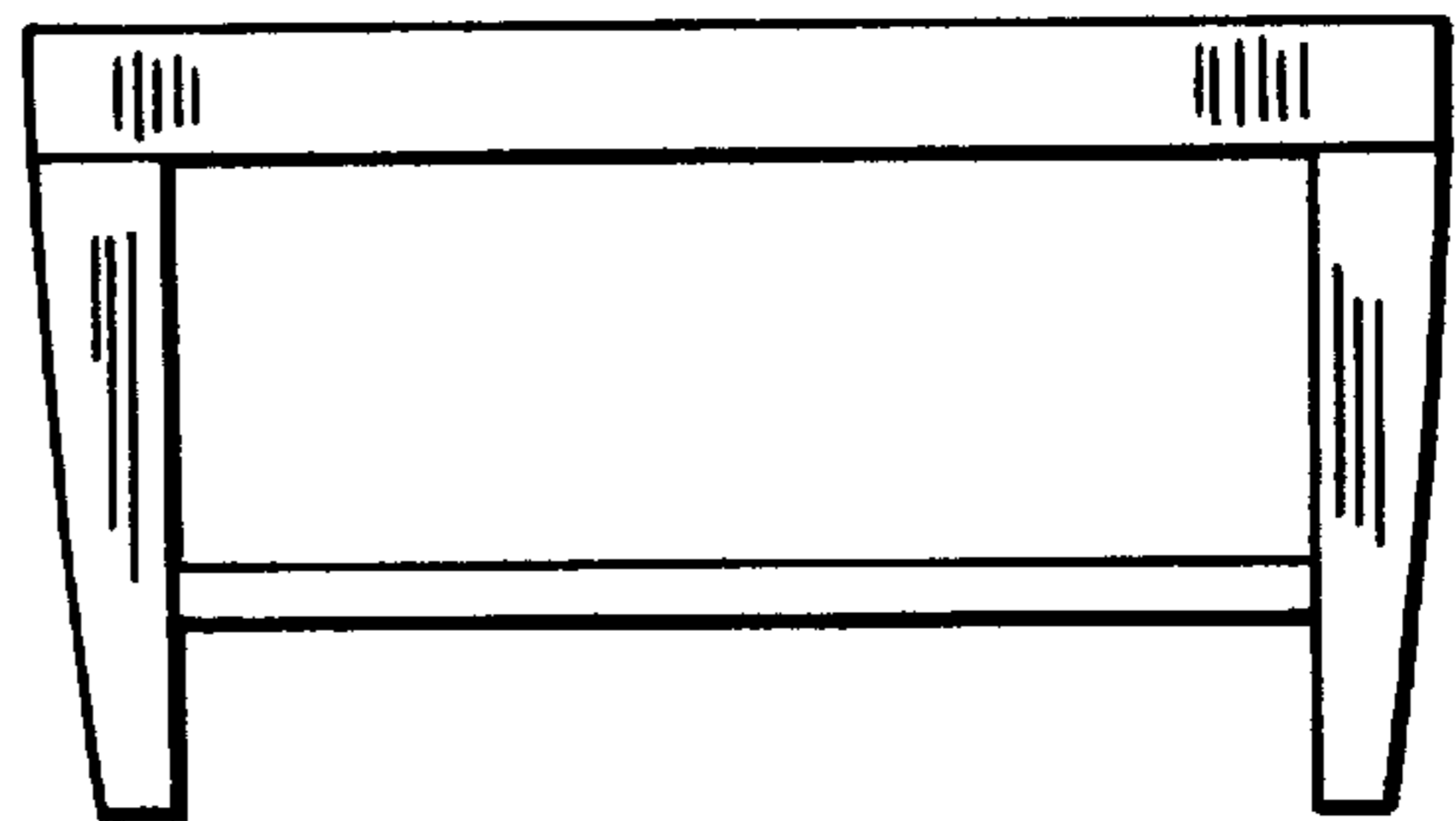


FIG. 3