



US00D414351S

United States Patent [19]
Tabbia

[11] **Patent Number: Des. 414,351**

[45] **Date of Patent: ** Sep. 28, 1999**

[54] **CHEST OF DRAWERS**

[76] Inventor: **Lawrence E. Tabbia**, 102 E. Pleasant Grove Rd., Jackson, N.J. 08527

[**] Term: **14 Years**

[21] Appl. No.: **29/088,967**

[22] Filed: **Jun. 3, 1998**

[51] **LOC (6) Cl. 06-04**

[52] **U.S. Cl. D6/445**

[58] **Field of Search D6/432-448; 312/204, 312/257**

[56] **References Cited**

U.S. PATENT DOCUMENTS

D. 94,482	2/1935	Hawk	D6/446
D. 167,392	8/1952	Carr	D6/446
D. 177,157	3/1956	Van Koert	D6/446
D. 177,159	3/1956	Van Koert	D6/446
D. 224,871	10/1972	Winrow	D6/446
D. 326,194	5/1992	Lewis	D6/446
D. 350,244	9/1994	Black	D6/445
D. 357,602	4/1995	Brunner et al.	D6/446
D. 372,377	8/1996	Rosebrock	D6/446
D. 373,033	8/1996	Rosebrock	D6/446
D. 380,317	7/1997	Bergelin	D6/446

D. 393,551 4/1998 Draheim D6/446 X

Primary Examiner—Carmen H. Vales-Lado
Attorney, Agent, or Firm—William J. Daniel

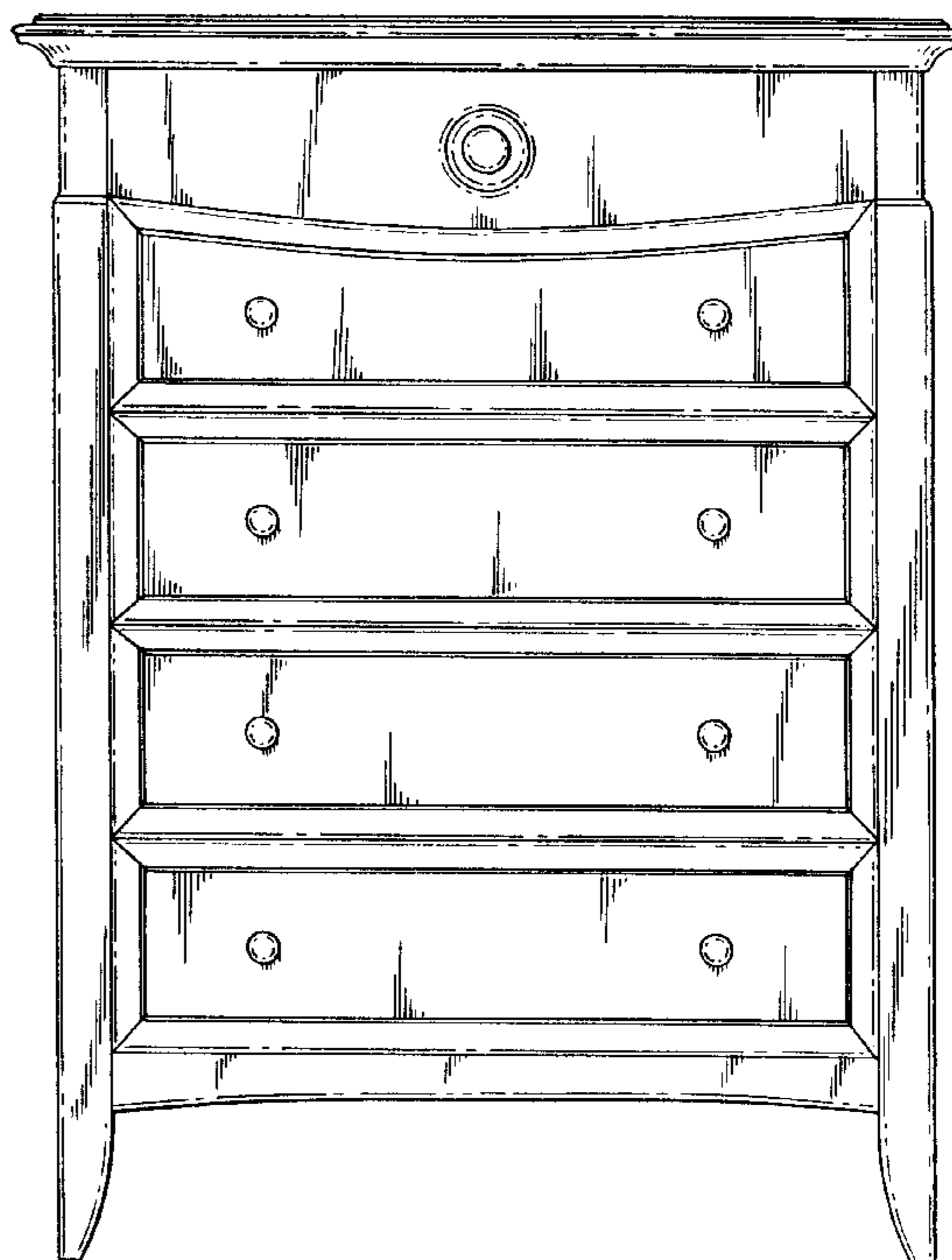
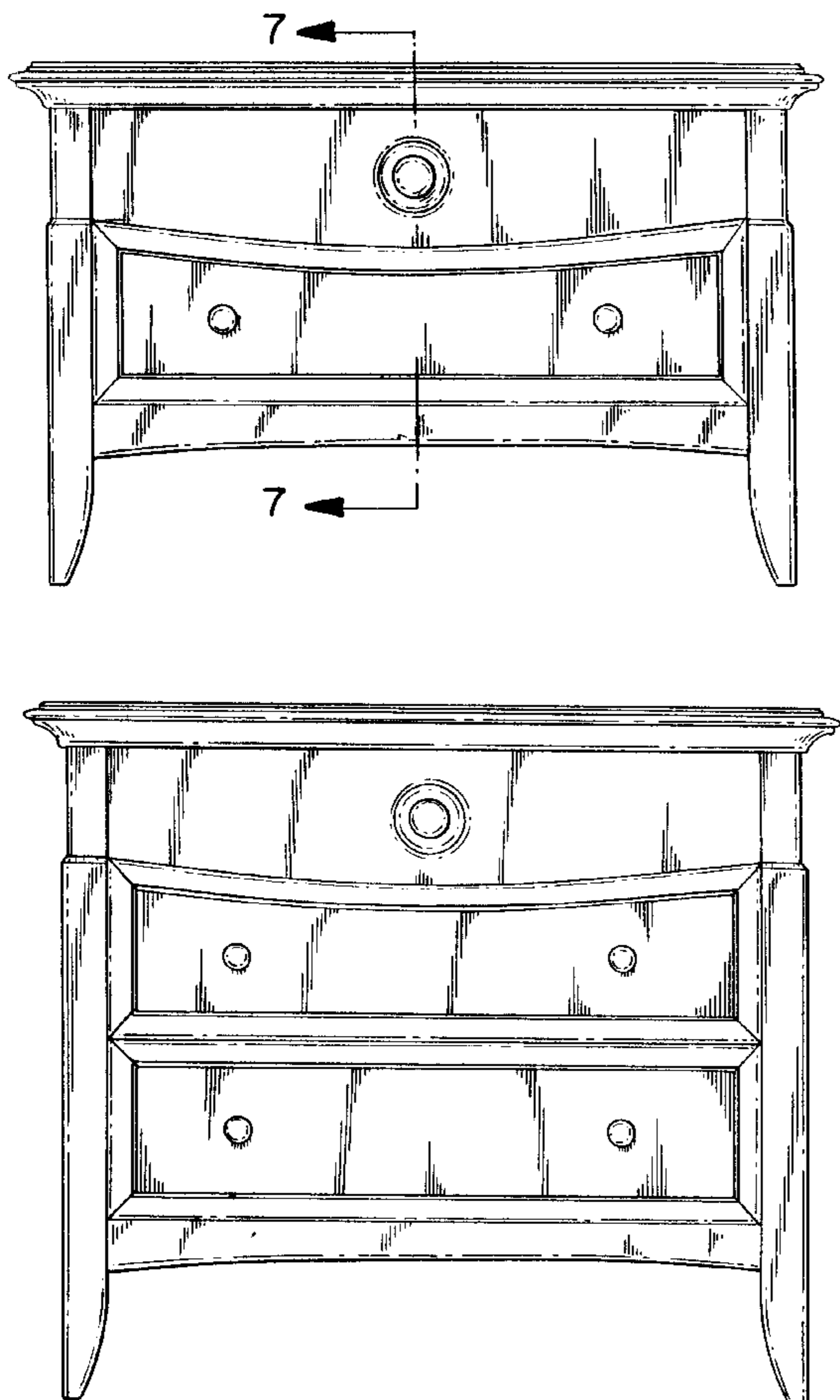
[57] **CLAIM**

The ornamental design for a chest of drawers, as shown and described.

DESCRIPTION

FIG. 1 is a front elevational view of a chest of drawers showing my new design;
 FIG. 2 is a left side elevational view with the drawers partially extended;
 FIG. 3 is a right side elevational view of FIG. 1;
 FIG. 4 is a top plan view thereof;
 FIG. 5 is a bottom plan view thereof;
 FIG. 6 is a rear elevational view thereof;
 FIG. 7 is an enlarged sectional view taken along line 7—7 of FIG. 1;
 FIG. 8 is a front elevational view of a second embodiment of the chest shown in FIG. 1; and,
 FIG. 9 is a front elevational view of a third embodiment of the chest shown in FIG. 1.
 The top, rear, and sides of the chests of FIGS. 8 and 9 are the same as those shown in views herein, except for height.

1 Claim, 3 Drawing Sheets



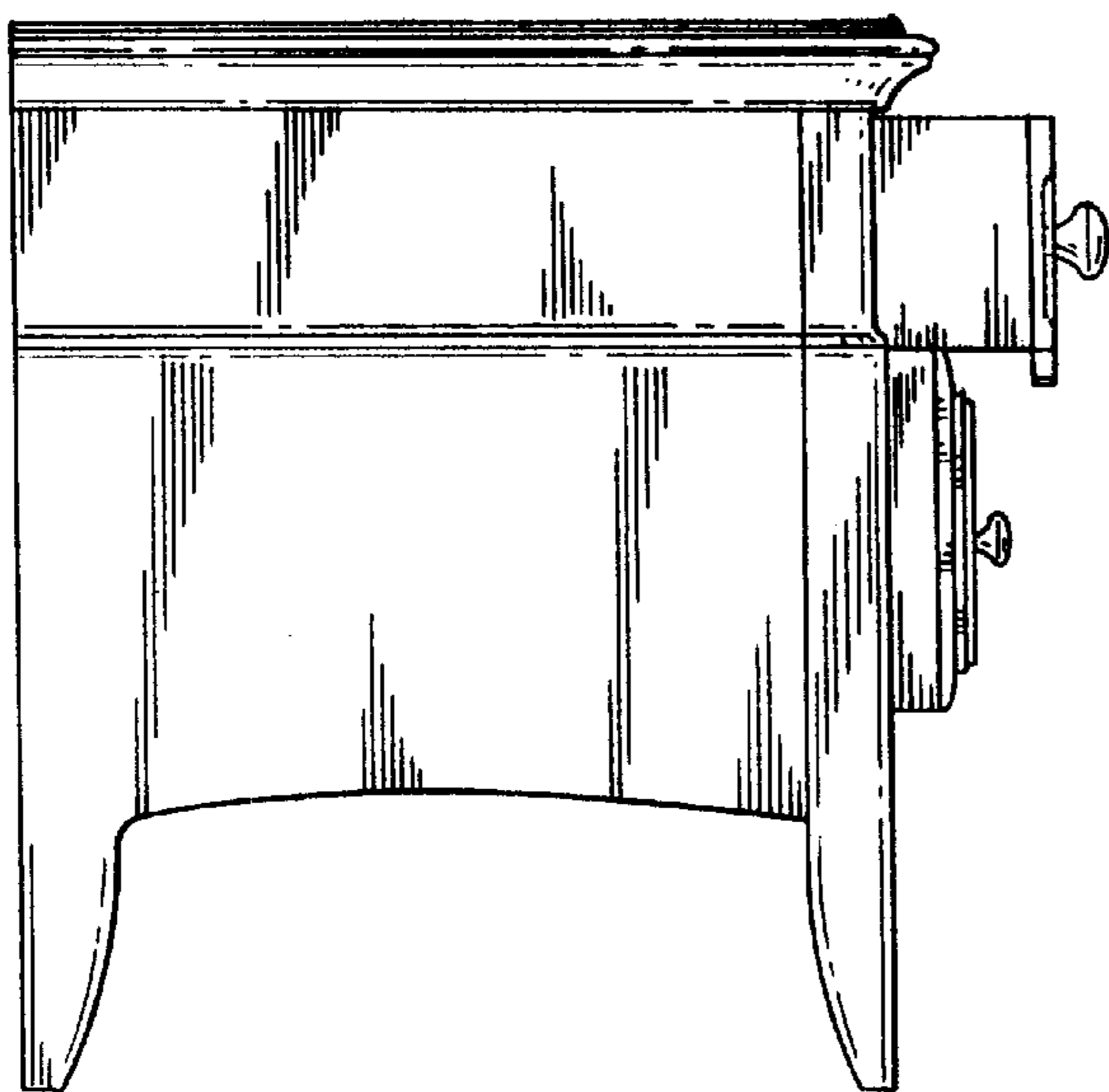
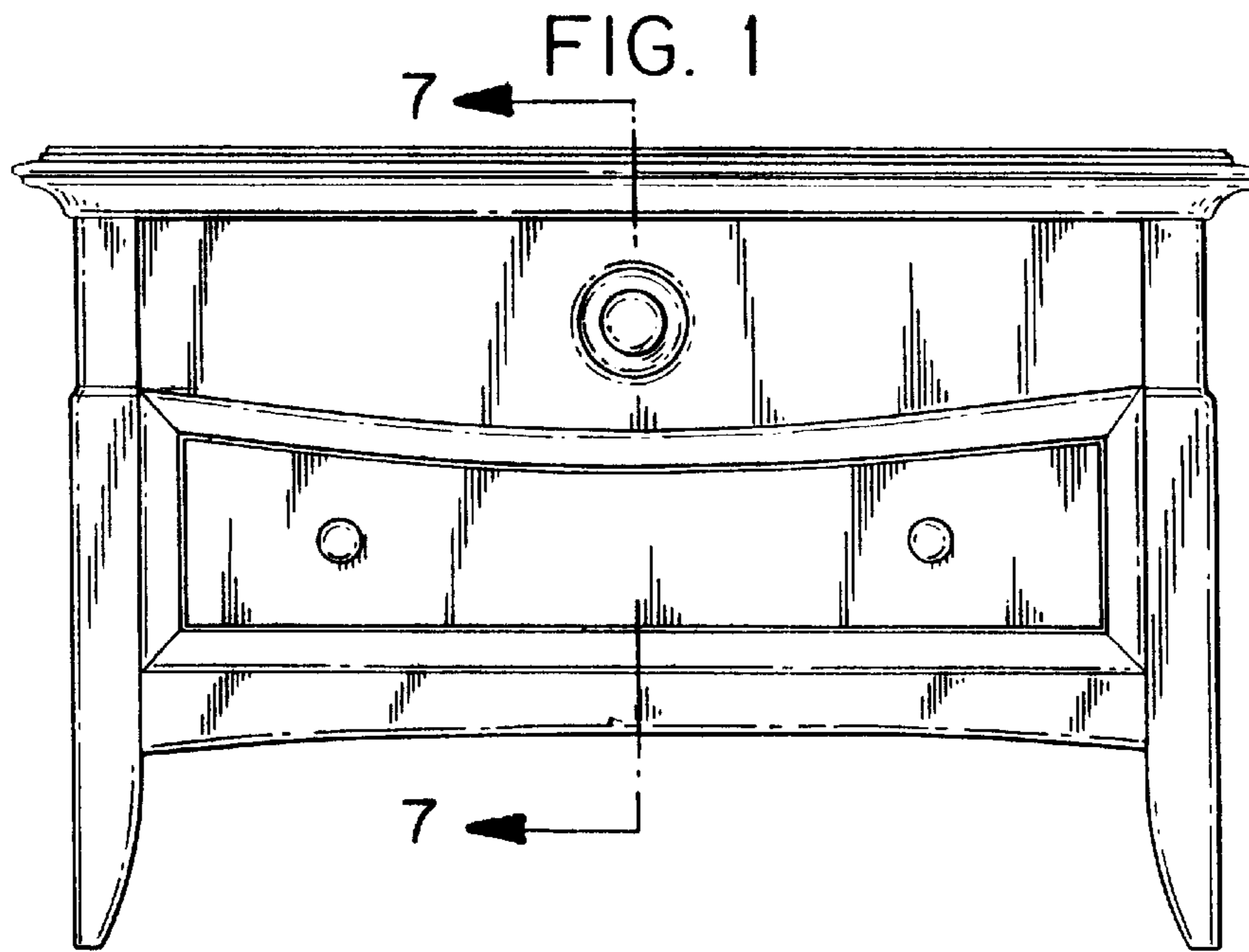


FIG. 2

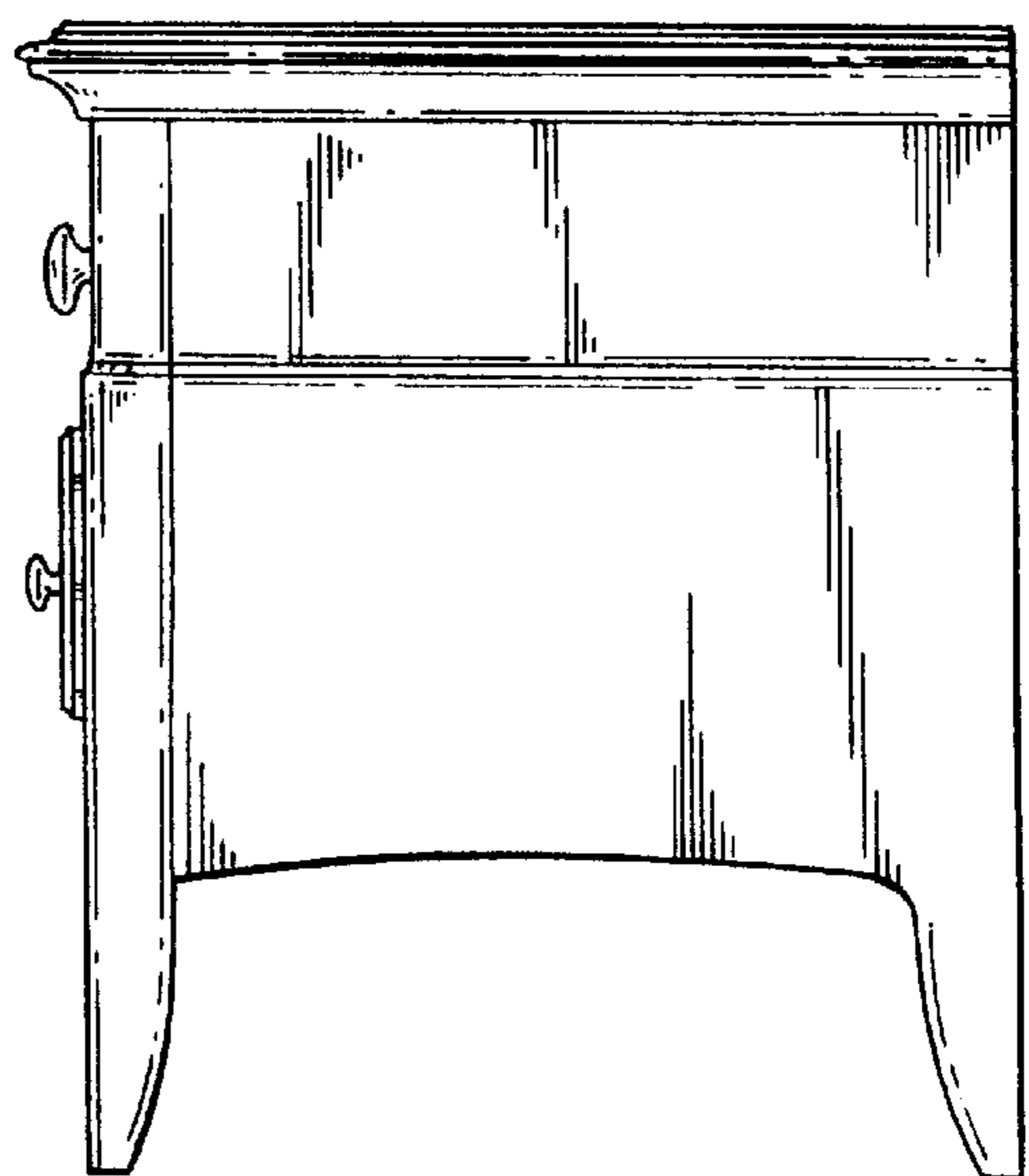


FIG. 3

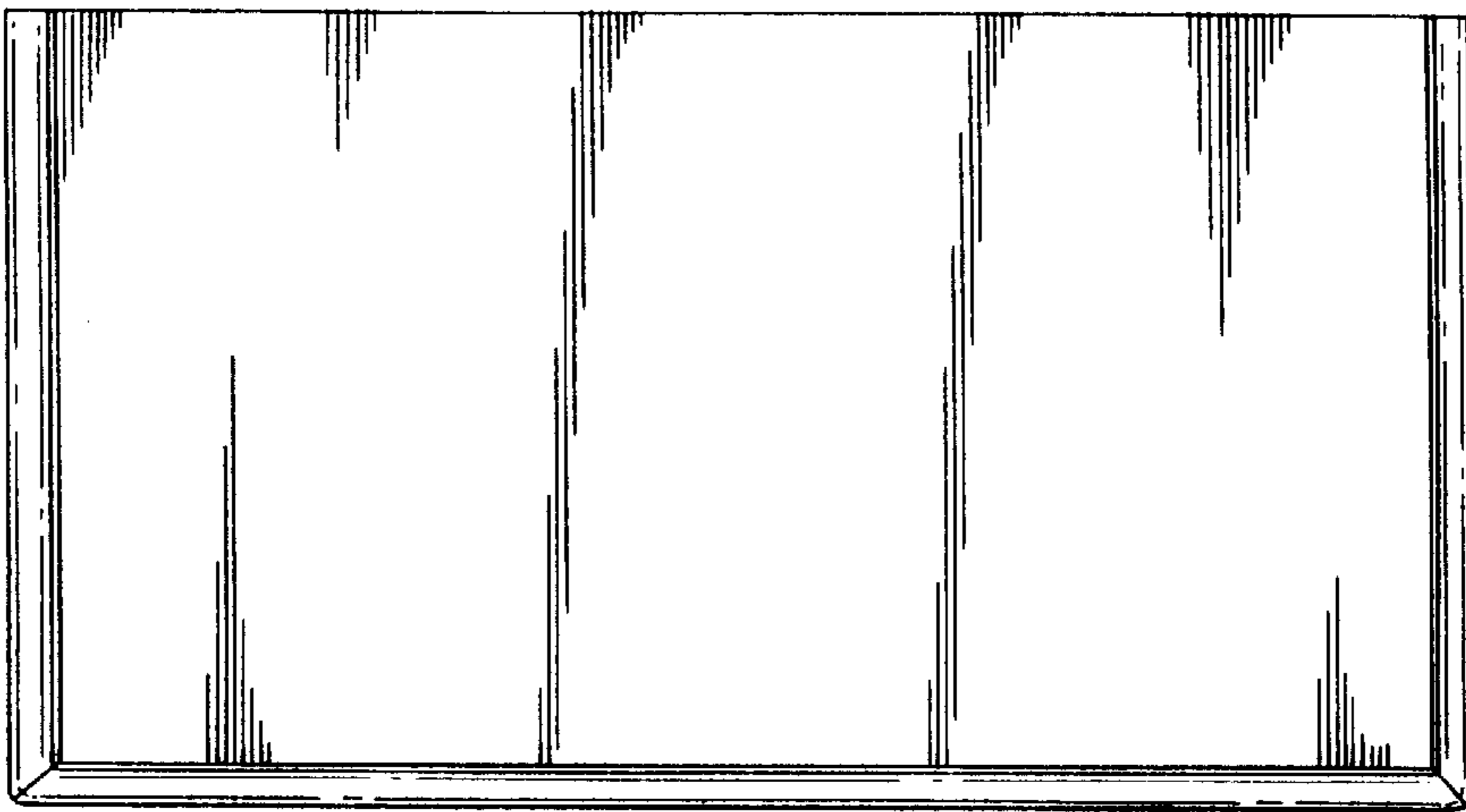


FIG. 4

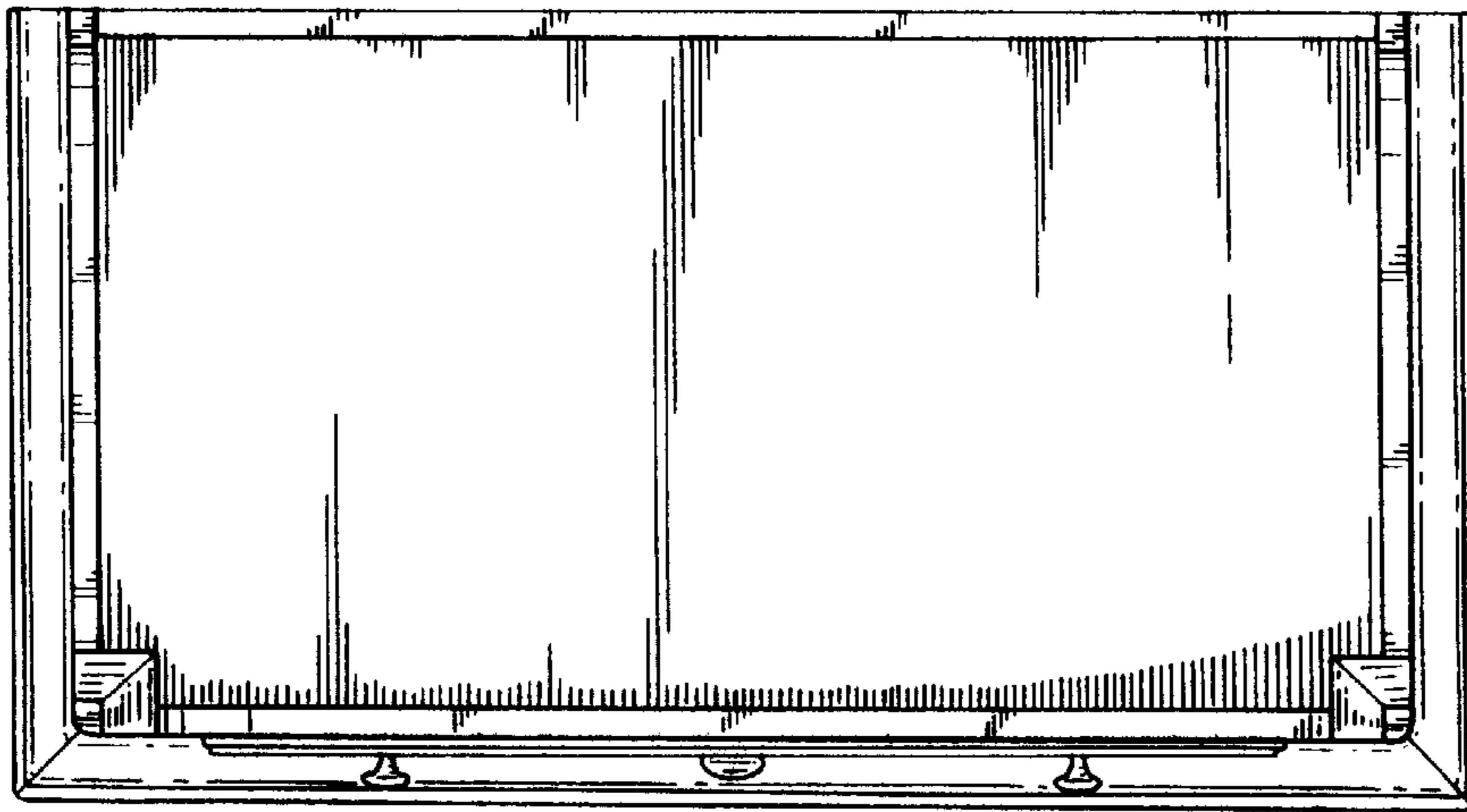


FIG. 5

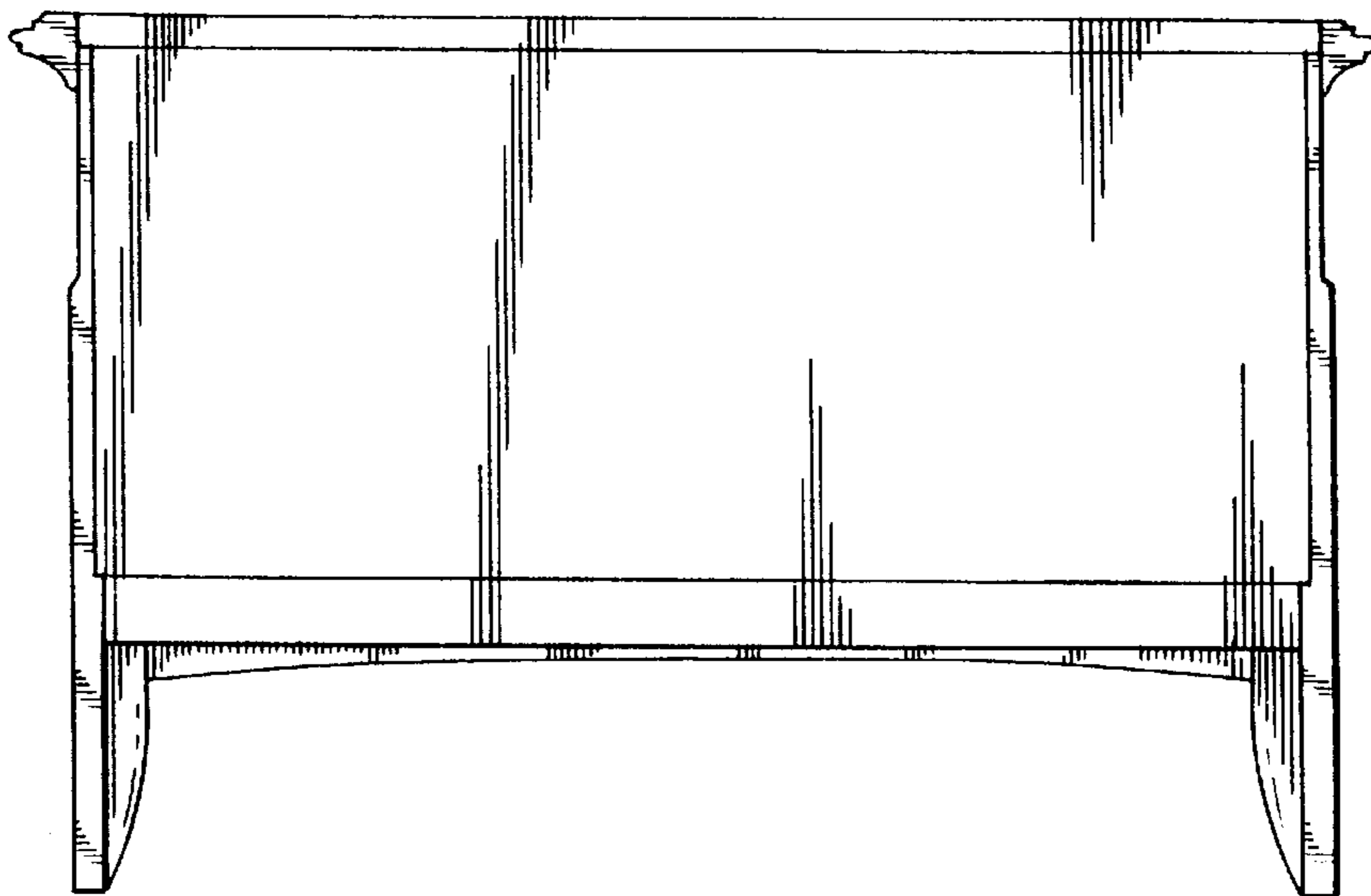


FIG. 6

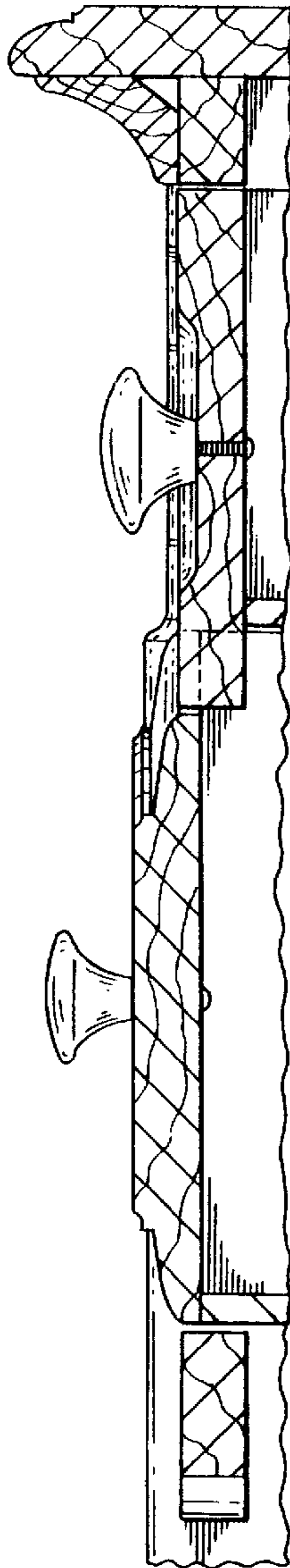


FIG. 7

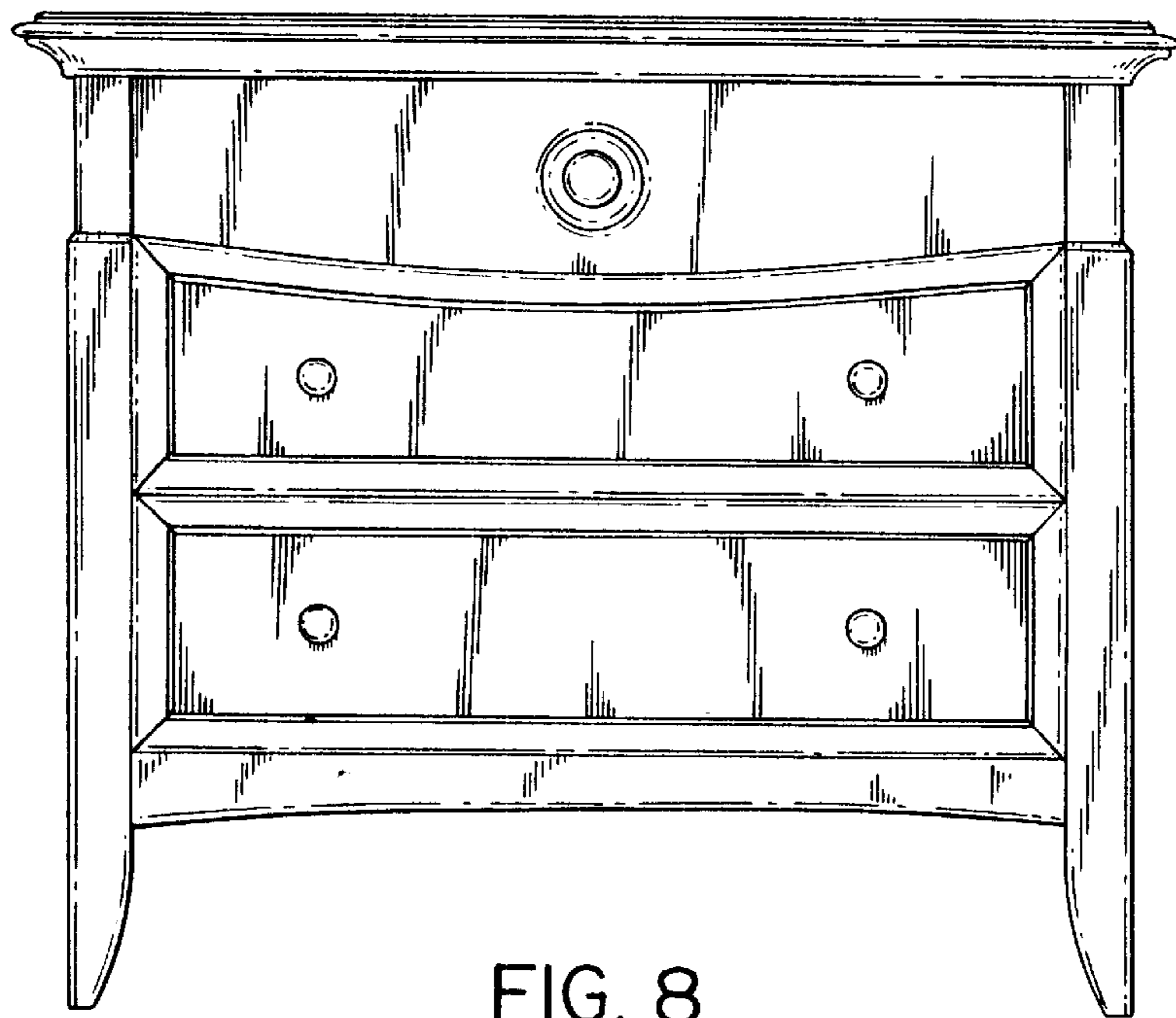


FIG. 8

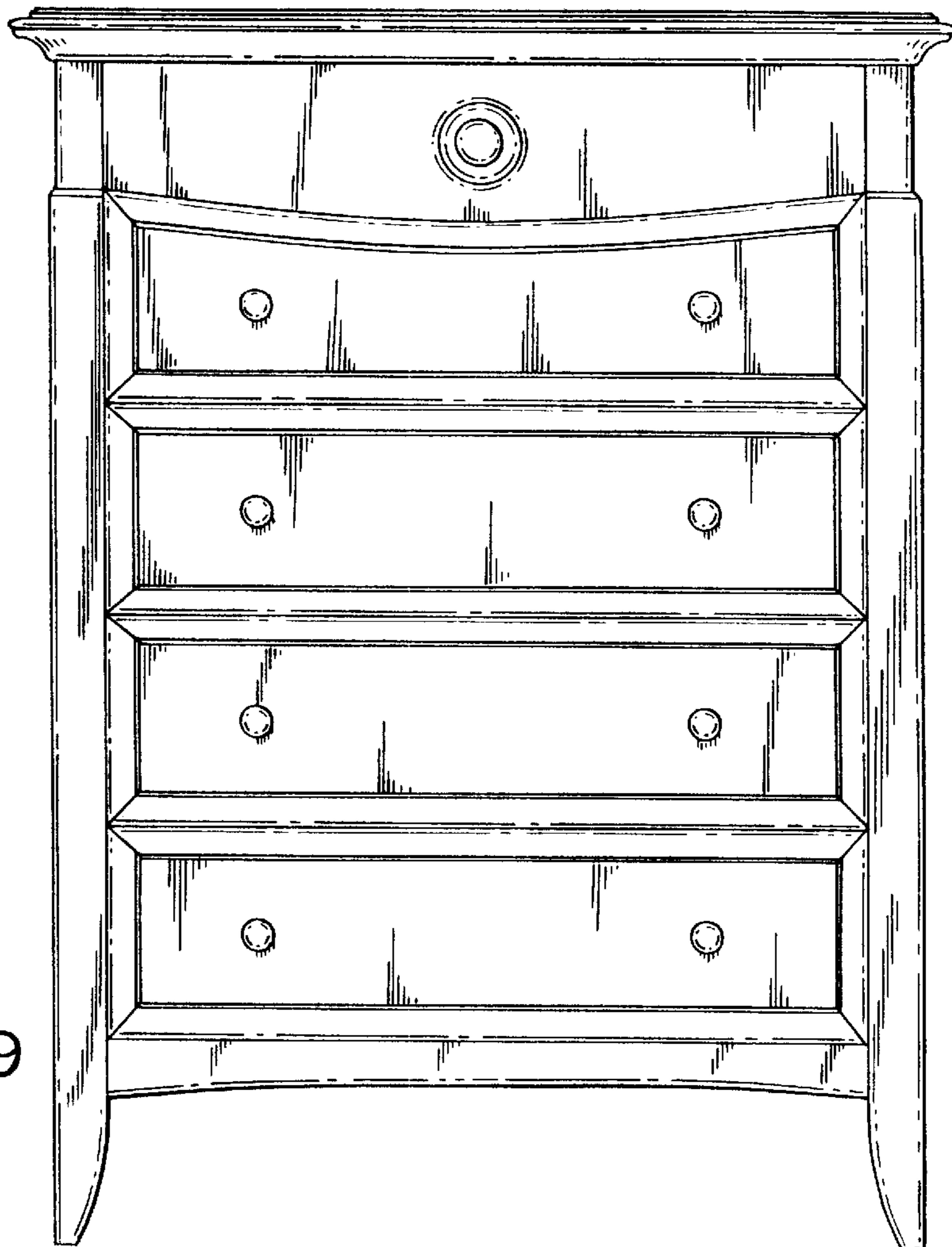


FIG. 9