



US00D414350S

United States Patent [19]

Fear et al.

[11] Patent Number: **Des. 414,350**

[45] Date of Patent: **** Sep. 28, 1999**

[54] **DESK**

[75] Inventors: **Jeffery Fear**, 4209 Berryman Ave., LA, Calif. 90066; **James Hayward**, 16303 Haas Ave., Torrance, Calif. 90504

[73] Assignees: **Jeffery Fear; James Hayward**, both of Culver City, Calif.

[**] Term: **14 Years**

[21] Appl. No.: **29/082,511**

[22] Filed: **Jan. 23, 1998**

[30] Foreign Application Priority Data

Jul. 24, 1997 [CA] Canada 1997-1932

[51] **LOC (6) Cl.** **06-04**

[52] **U.S. Cl.** **D6/426; D6/474**

[58] **Field of Search** D6/422-428, 474; 312/194-196; 108/59, 60, 91-93

[56] References Cited

U.S. PATENT DOCUMENTS

- D. 283,094 3/1986 Strand et al. D6/478
- D. 284,532 7/1986 Vogt D6/428

- D. 302,890 8/1989 Ng et al. D6/487 X
- D. 315,261 3/1991 Ng et al. D6/426
- D. 325,833 5/1992 Saotome D6/484
- D. 334,856 4/1993 Sielaff D6/474
- D. 372,812 8/1996 Graziano et al. D6/429
- D. 372,817 8/1996 Stevens D6/474
- 5,447,099 9/1995 Adams et al. .

Primary Examiner—Carmen H. Vales-Lado
Attorney, Agent, or Firm—Philip Mendes da Costa Bereskin & Parr

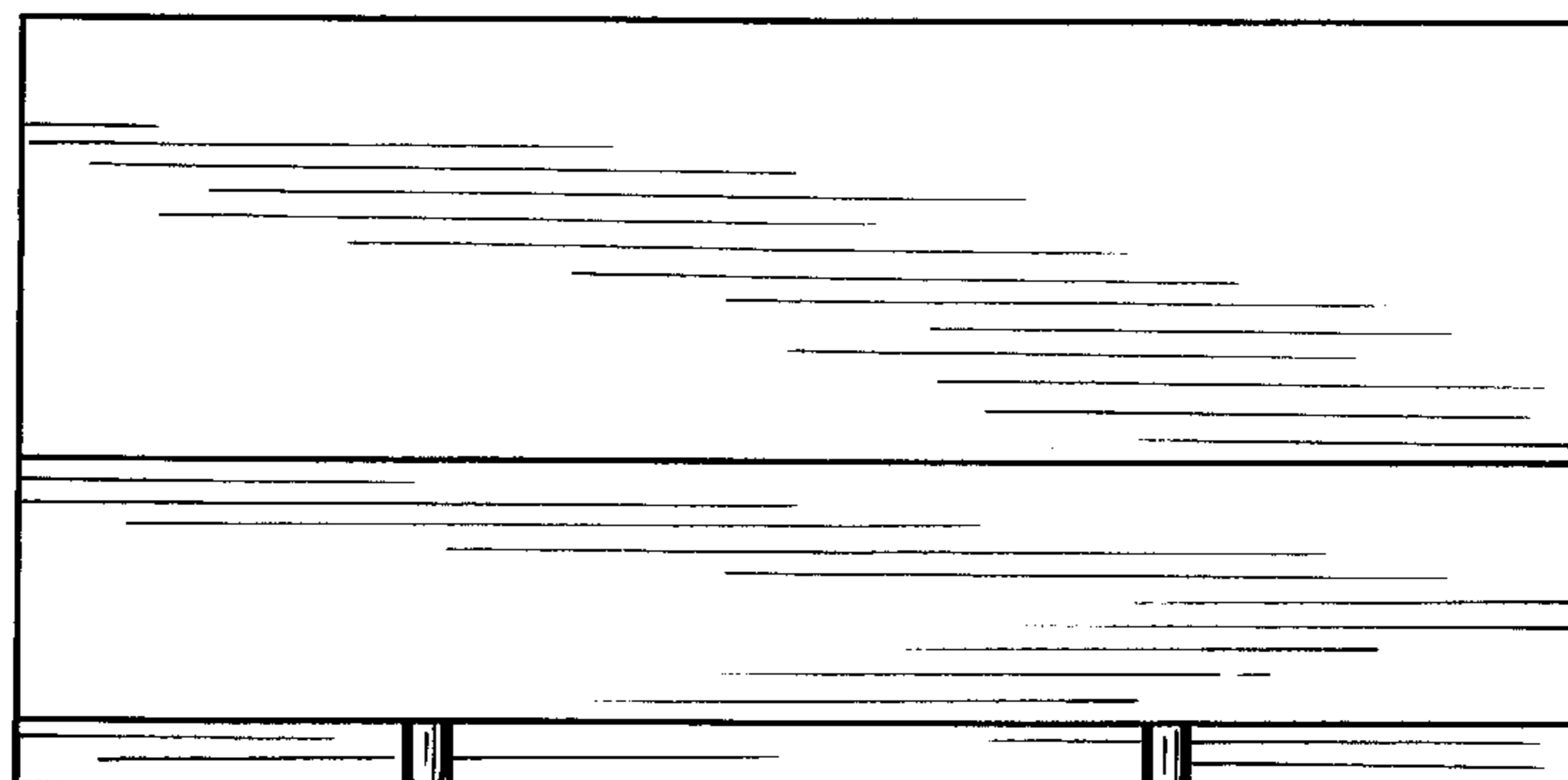
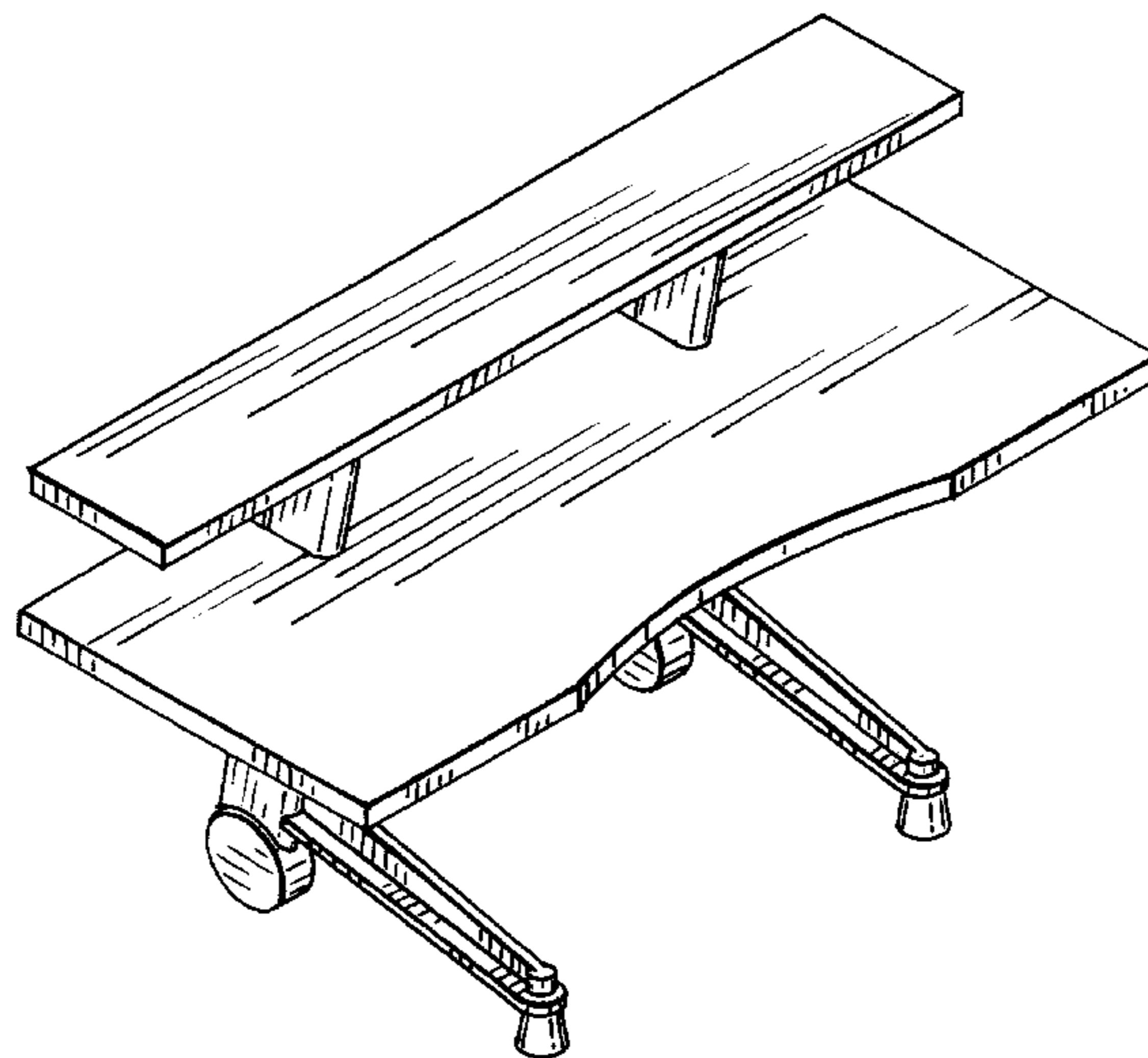
[57] CLAIM

The ornamental design for a desk, as shown and described.

DESCRIPTION

FIG. 1 is a perspective view of a desk showing our new design;
 FIG. 2 is a front elevational view thereof;
 FIG. 3 is a right side elevational view, the left side being a mirror image thereof;
 FIG. 4 is a rear elevational view thereof;
 FIG. 5 is a top plan view thereof; and,
 FIG. 6 is a top plan view of a modified form of the desk shown in FIG. 1, the sides shown being identical to those shown in FIGS. 1-5.

1 Claim, 6 Drawing Sheets



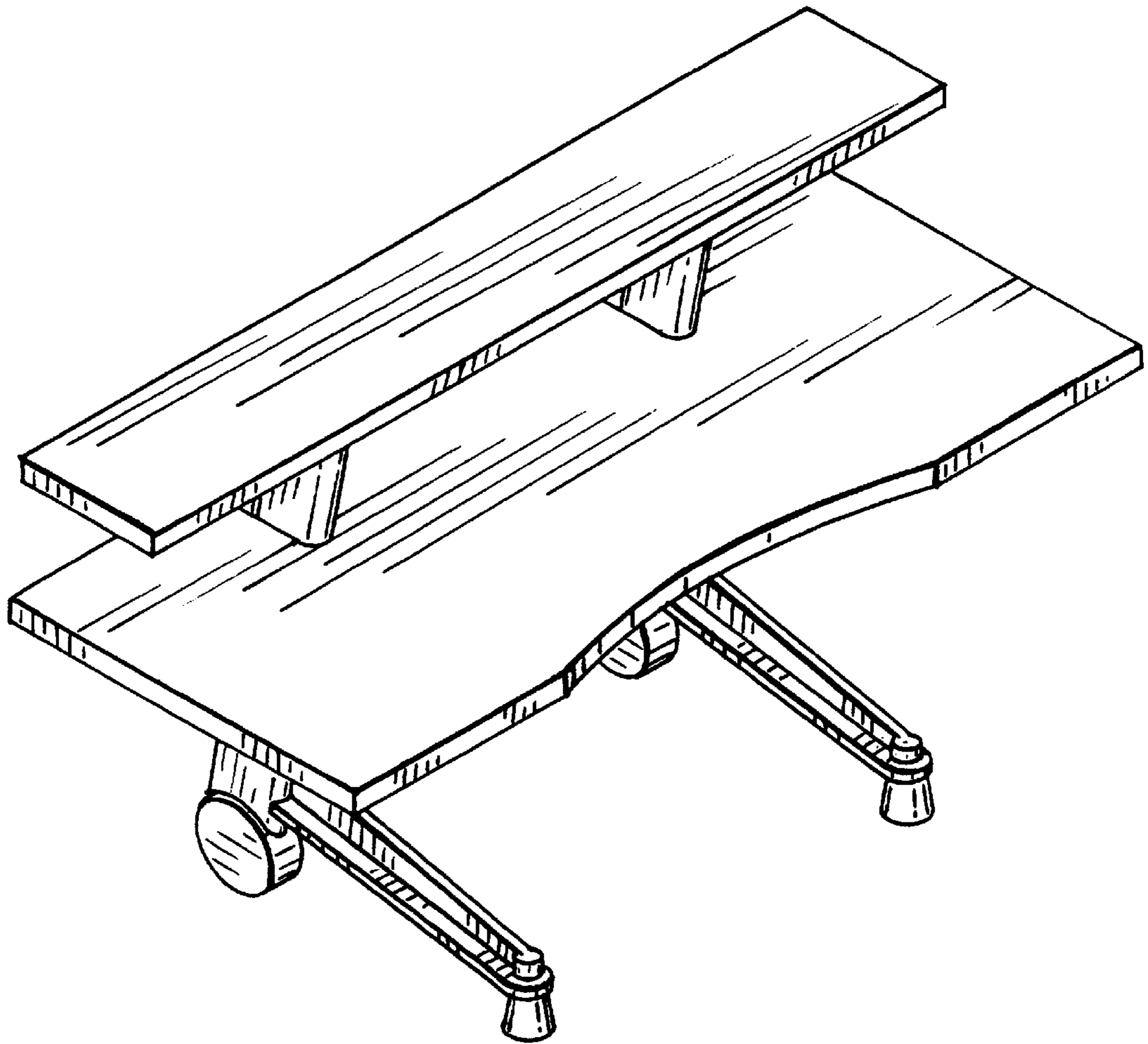


FIGURE 1

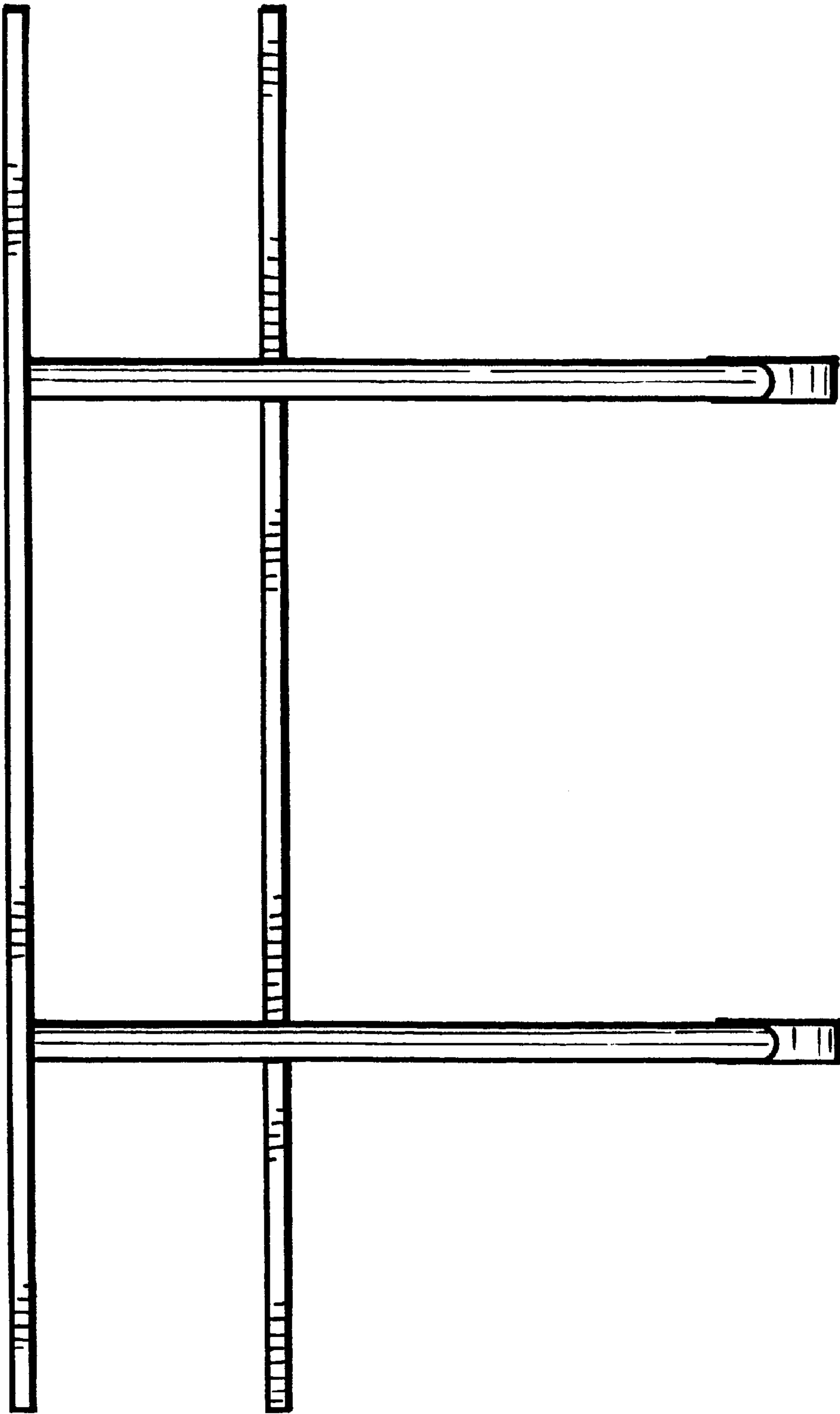


FIGURE 2

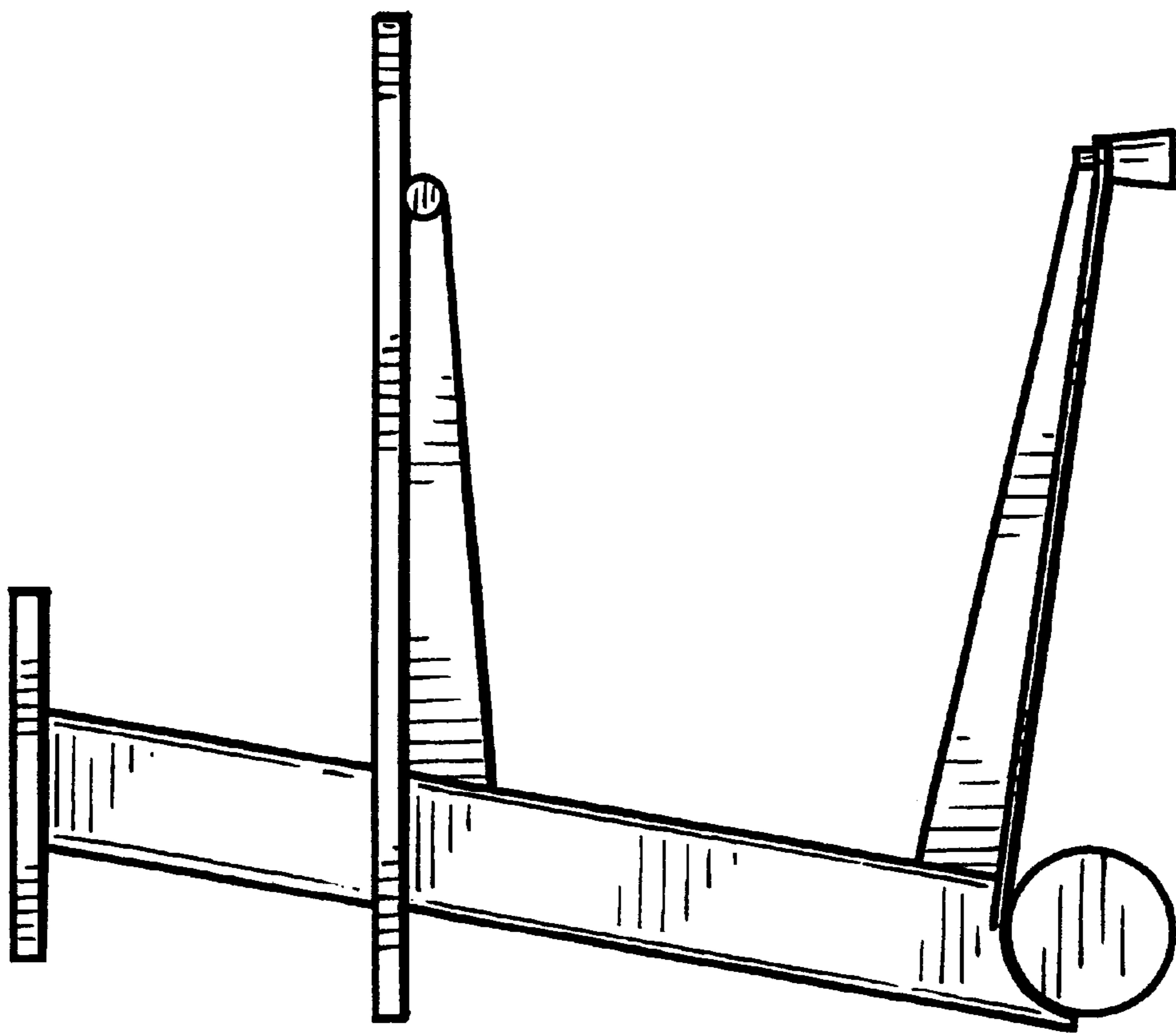


FIGURE 3

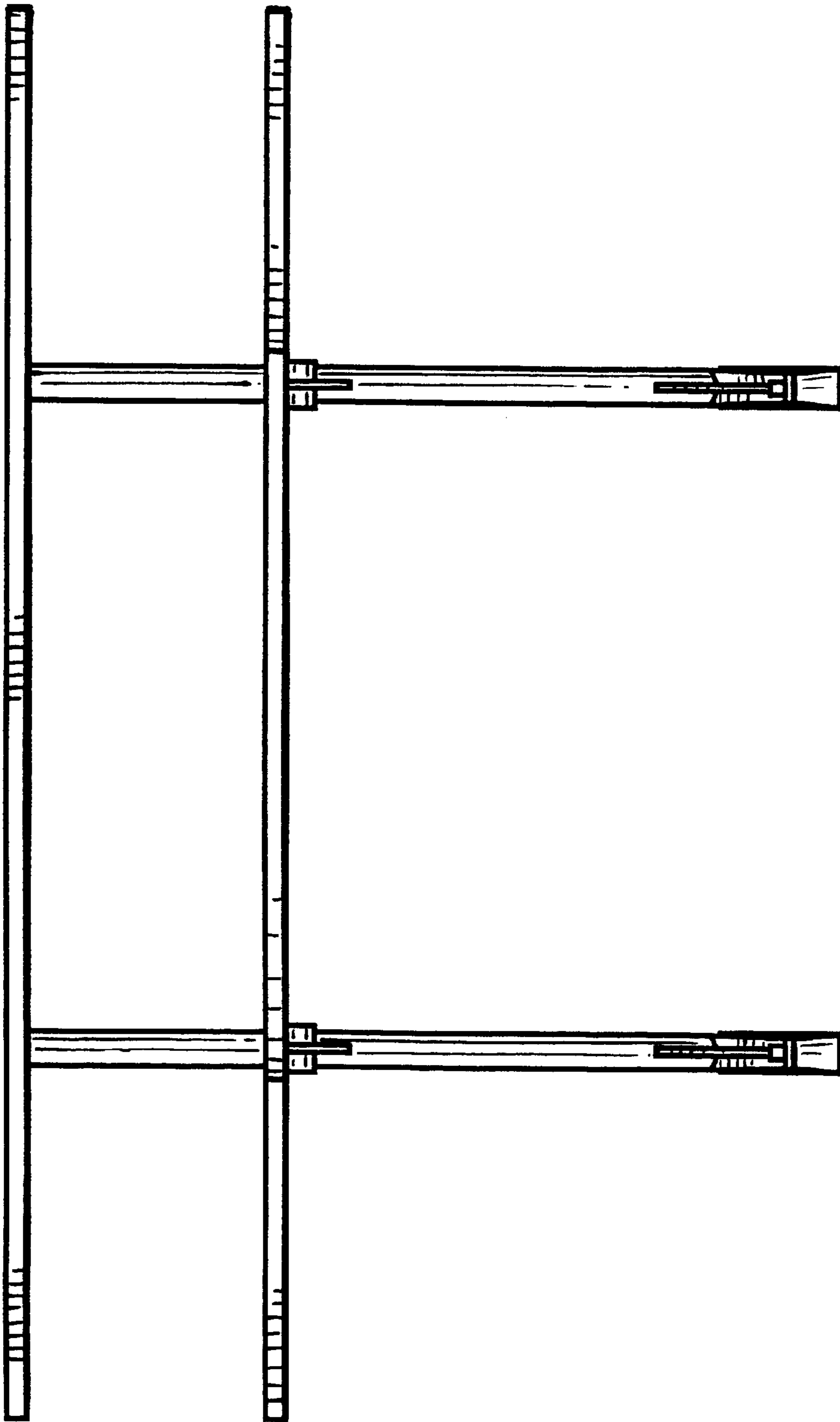


FIGURE 4

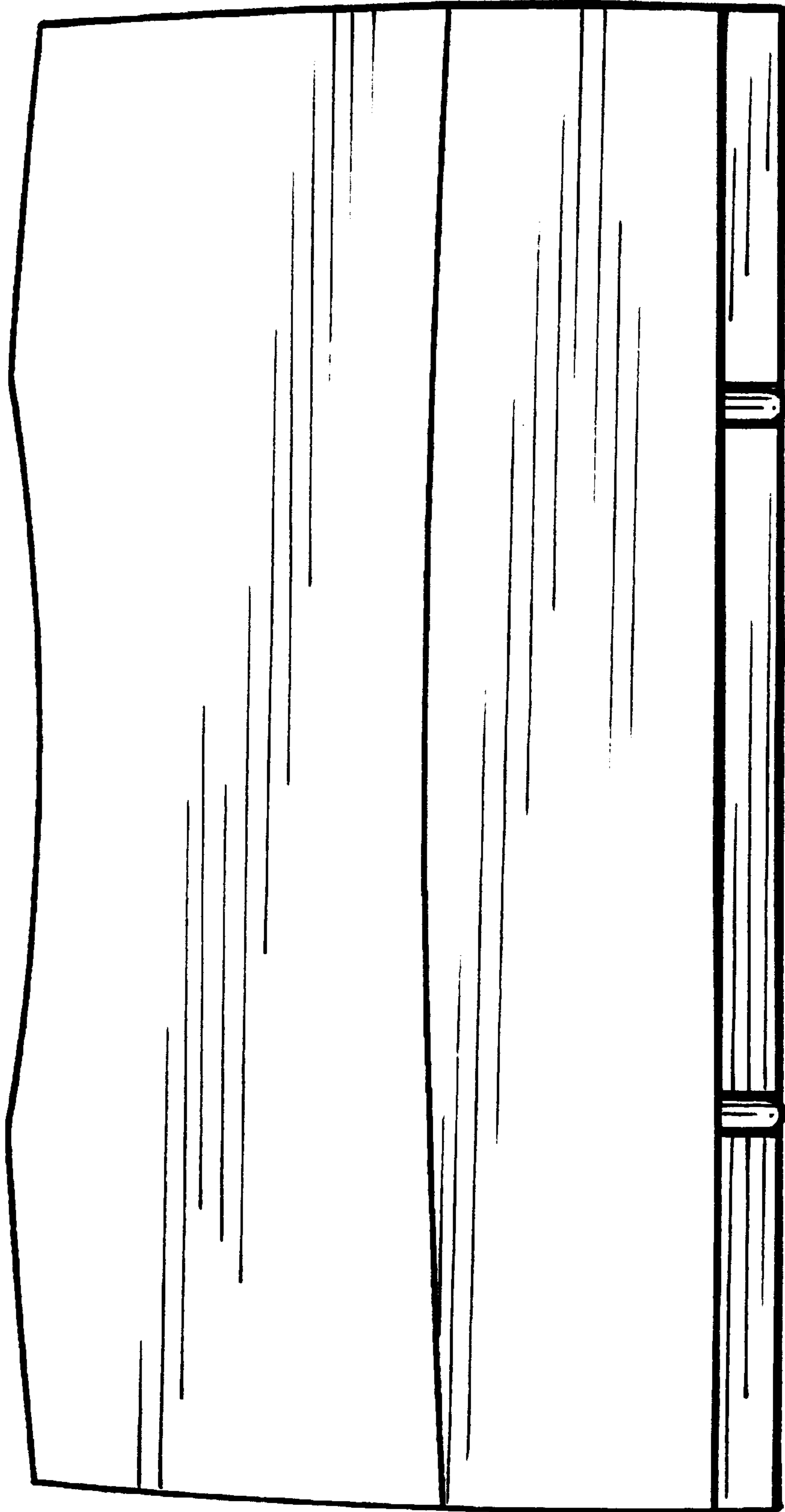


FIGURE 5

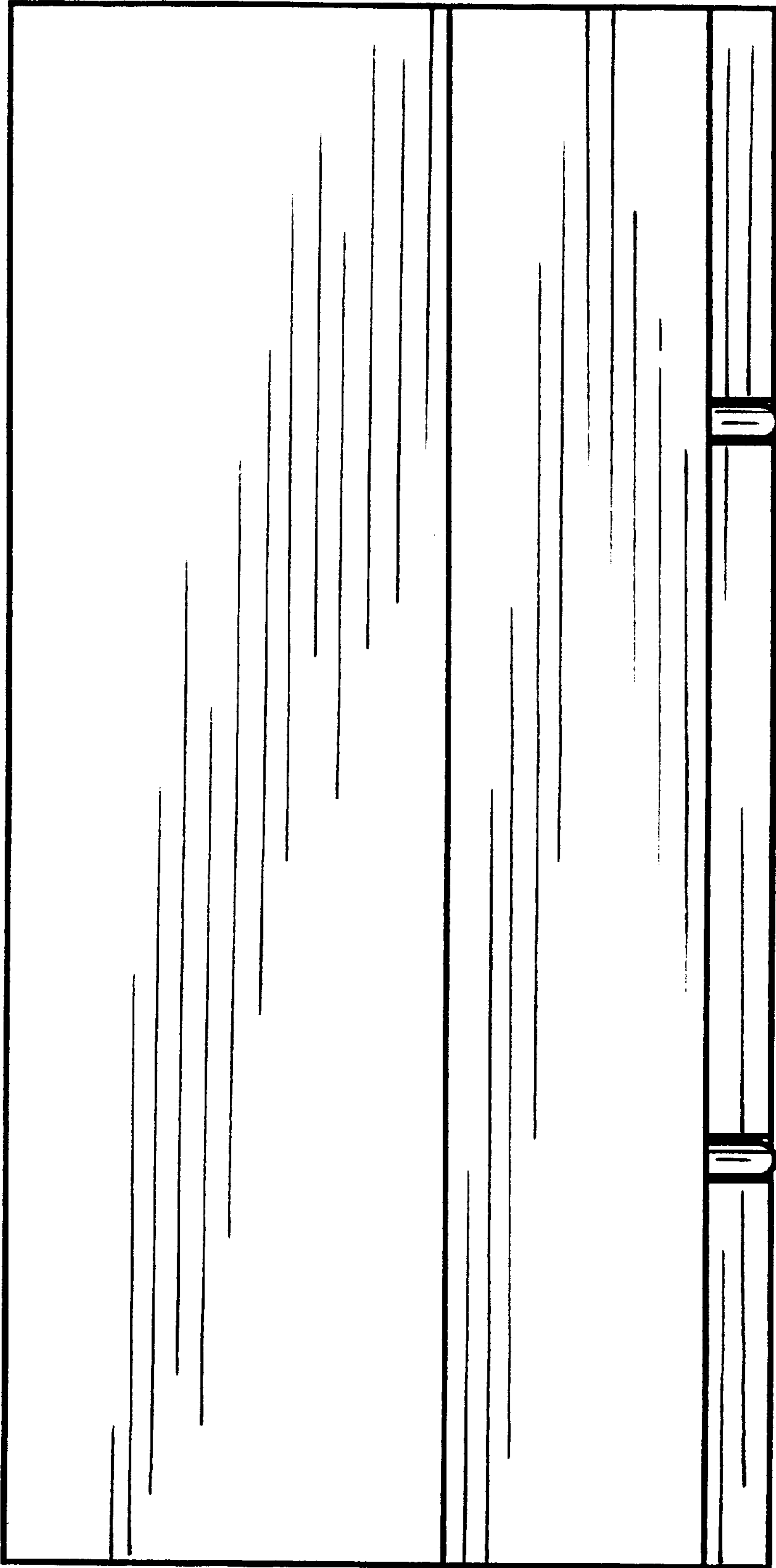


FIGURE 6