



US00D414349S

United States Patent [19]

Jenkins et al.

[11] Patent Number: Des. 414,349

[45] Date of Patent: ** Sep. 28, 1999

[54] CHAIR

[75] Inventors: **David C. Jenkins; Arnold B. Dammermann**, both of Grand Rapids, Mich.; **Markus P. Diebel**, San Francisco, Calif.; **Gardner J. Klaasen, II**, Ada, Mich.; **John P. Stoddard**, London, United Kingdom; **David S. Teppo**, East Grand Rapids, Mich.

[73] Assignee: **Steelcase Inc.**, Grand Rapids, Mich.

[**] Term: **14 Years**

[21] Appl. No.: **29/078,365**

[22] Filed: **Oct. 24, 1997**

[51] LOC (6) Cl. **06-01**

[52] U.S. Cl. **D6/366**

[58] Field of Search D6/334, 364, 365, D6/366, 367, 500, 501, 502; 297/411.2, 411.35, 411.36

[56] **References Cited**

U.S. PATENT DOCUMENTS

D. 272,204	1/1984	DeBoer	D6/366
D. 277,143	1/1985	Helmhdt .	
D. 279,155	6/1985	Aronowitz et al. .	
D. 292,655	11/1987	Hendrick .	
D. 309,384	7/1990	Buhk	D6/366
D. 320,507	10/1991	Shields .	
D. 328,199	7/1992	Citterio	D6/366
D. 330,478	10/1992	Woopman et al.	D6/500
D. 339,927	10/1993	Fahnstrom et al. .	
D. 343,740	2/1994	Ginat .	
D. 345,259	3/1994	Narita .	
D. 346,279	4/1994	Stumpf et al. .	
D. 349,621	8/1994	Wilson .	
D. 351,070	10/1994	Scheper et al.	D6/366
D. 352,181	11/1994	Ivicevi .	
D. 358,063	5/1995	Larkin .	
D. 362,973	10/1995	Schultz .	
D. 362,974	10/1995	Olson et al. .	

D. 365,453	12/1995	Newhouse .	
D. 371,683	7/1996	Tolleson et al.	D3/366
D. 380,110	6/1997	Tortel .	
D. 390,712	2/1998	Koepke et al.	D6/366

(List continued on next page.)

Primary Examiner—Gary D. Watson
Attorney, Agent, or Firm—Price, Heneveld, Cooper Dewitt & Litton

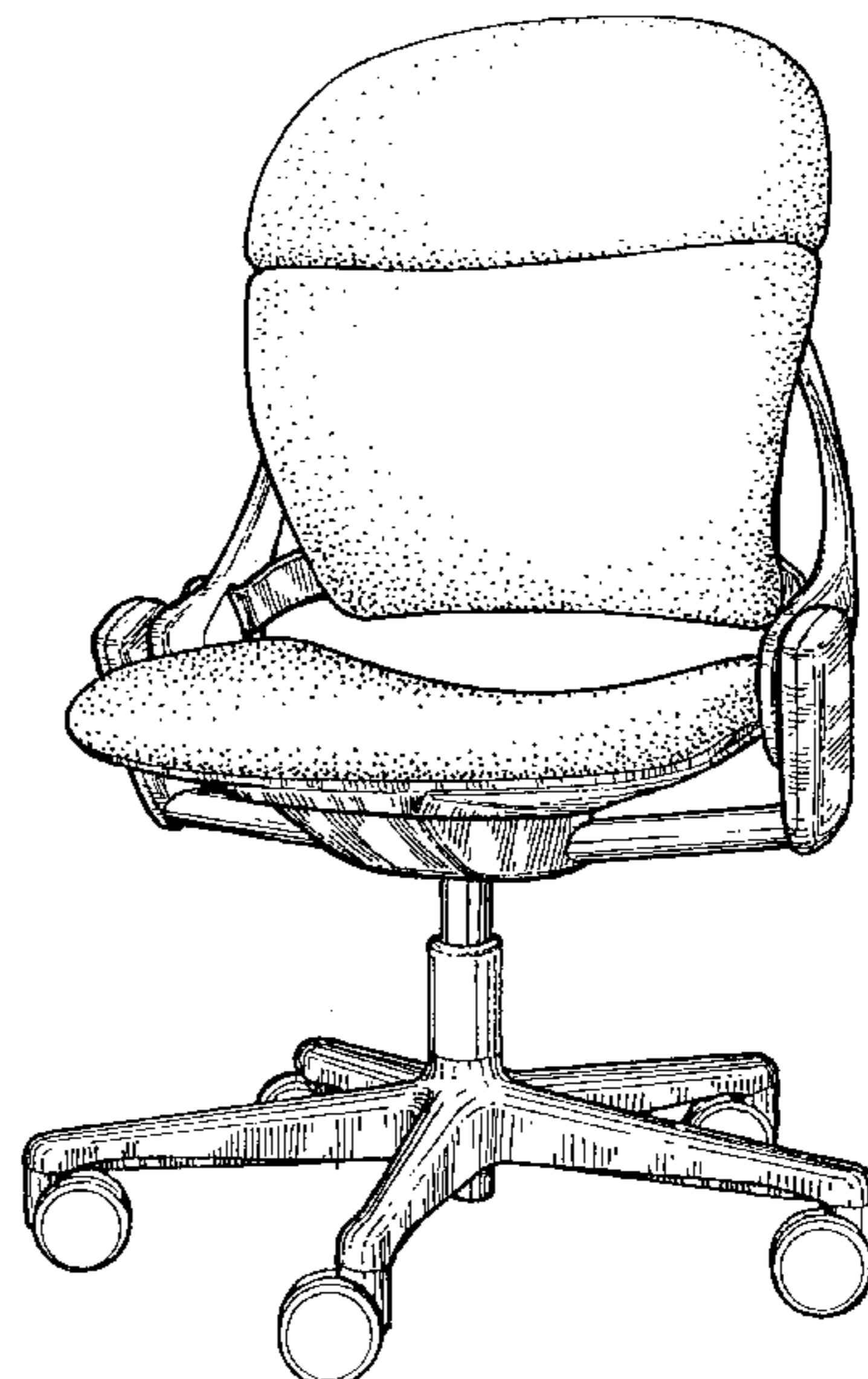
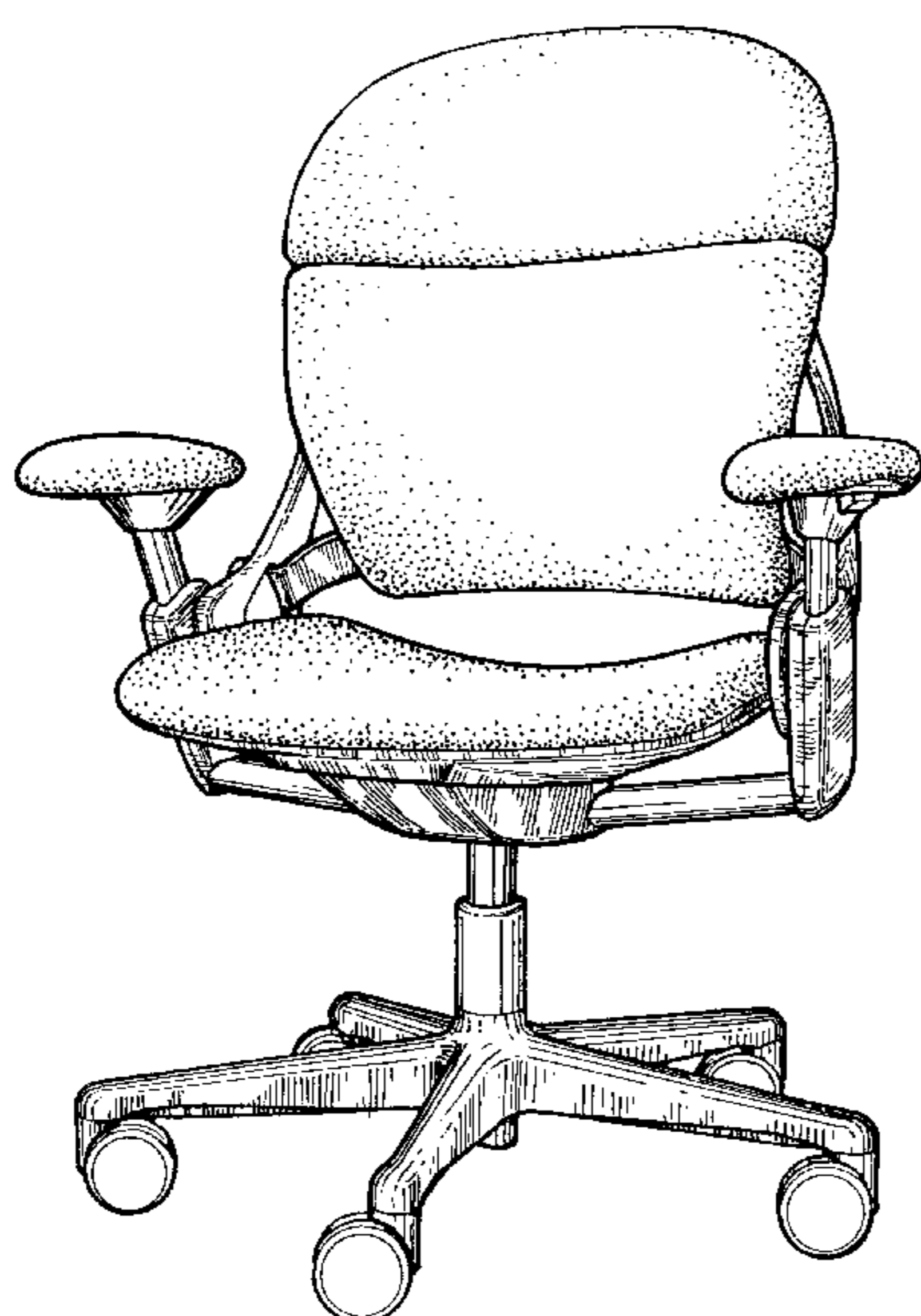
[57] **CLAIM**

We claim the ornamental design for a chair, as shown.

DESCRIPTION

FIG. 1 is a front perspective view of a chair design embodying the present invention;
 FIG. 2 is a rear perspective view of the chair design in FIG. 1;
 FIG. 3 is a side perspective view of the chair design of FIG. 1;
 FIG. 4 is a right side view of the chair design shown in FIG. 1;
 FIG. 5 is a front view of the chair design shown in FIG. 1;
 FIG. 6 is a left side view of the chair design shown in FIG. 1;
 FIG. 7 is a rear view of the chair design shown in FIG. 1; and
 FIG. 8 is a top view of the chair design shown in FIG. 1;
 FIG. 9 is a front perspective view of a second embodiment of our chair design;
 FIG. 10 is a rear perspective view of the chair design in FIG. 9;
 FIG. 11 is a side perspective view of the chair design of FIG. 9;
 FIG. 12 is a right side view of the chair design shown in FIG. 9;
 FIG. 13 is a front view of the chair design shown in FIG. 9;
 FIG. 14 is a left side view of the chair design shown in FIG. 9;
 FIG. 15 is a rear view of the chair design shown in FIG. 9; and,
 FIG. 16 is a top view of the chair design shown in FIG. 9;

1 Claim, 14 Drawing Sheets



U.S. PATENT DOCUMENTS

				4,861,108	8/1989	Acton et al. .	
D. 391,791	3/1998	Smith	D6/500	4,911,501	3/1990	Decker et al. .	
D. 393,755	4/1998	Nemeth, Jr.	D6/366	5,382,079	1/1995	Wilson et al.	297/411.36
D. 398,163	9/1998	Desabta	D6/366	5,501,507	3/1996	Hummitzsch .	
4,451,085	5/1984	Franck et al. .		5,577,807	11/1996	Hodge et al. .	
4,509,793	4/1985	Wiesmann et al. .		5,599,067	2/1997	Schuelke et al.	297/411.35
4,529,247	7/1985	Stumpf et al. .		5,667,277	9/1997	Van DeRiet	297/411.36

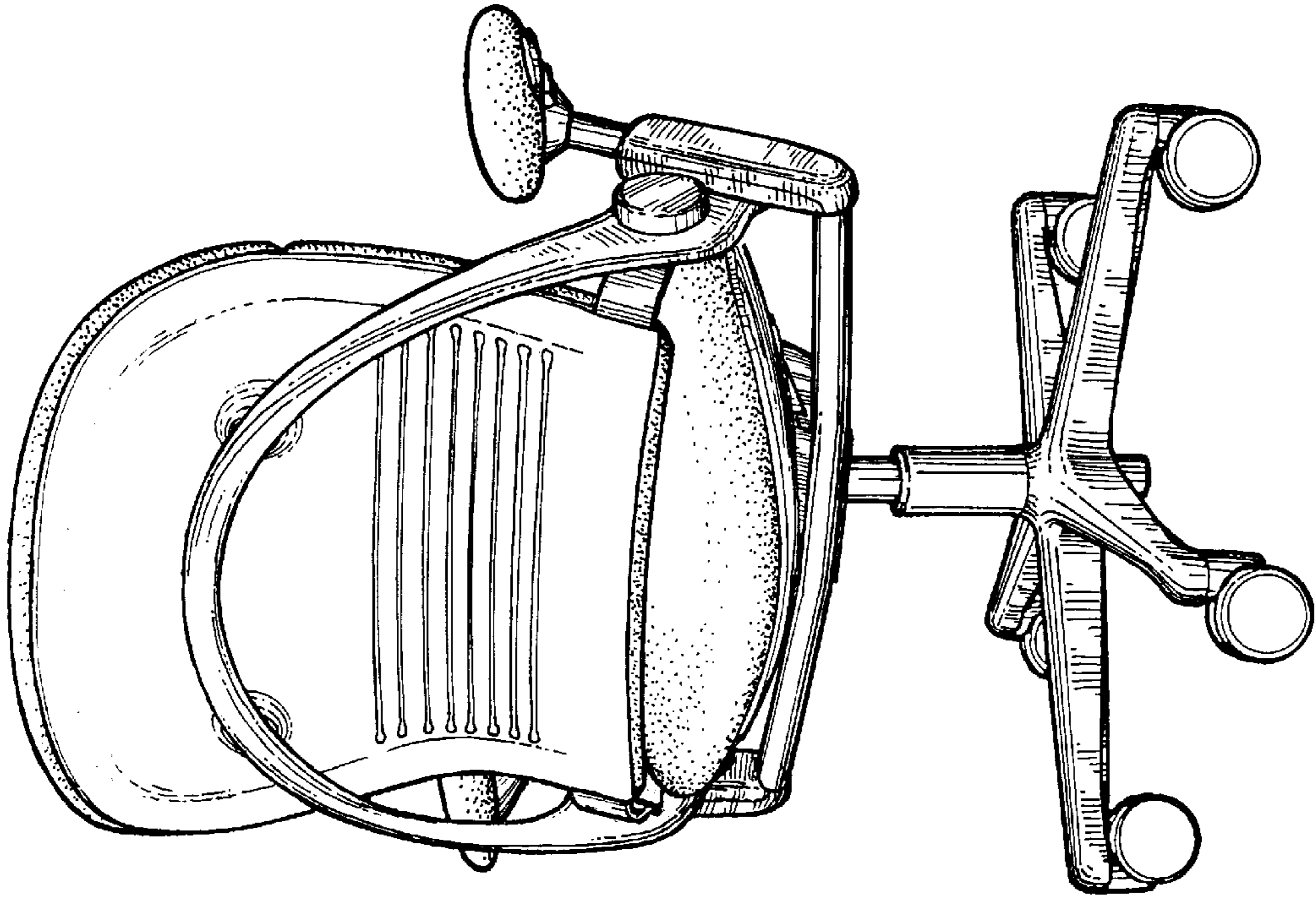


Fig. 2

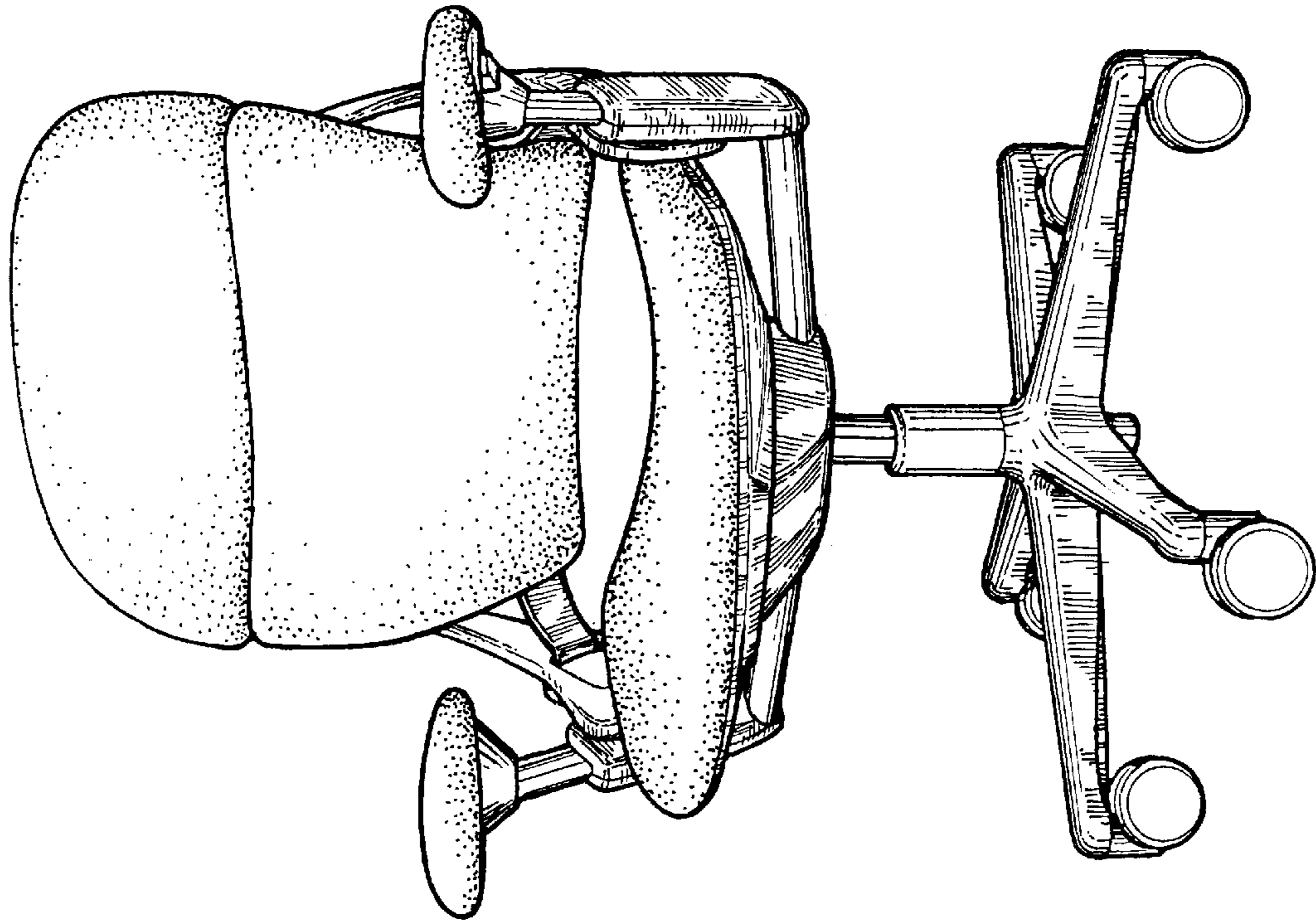


Fig. 1

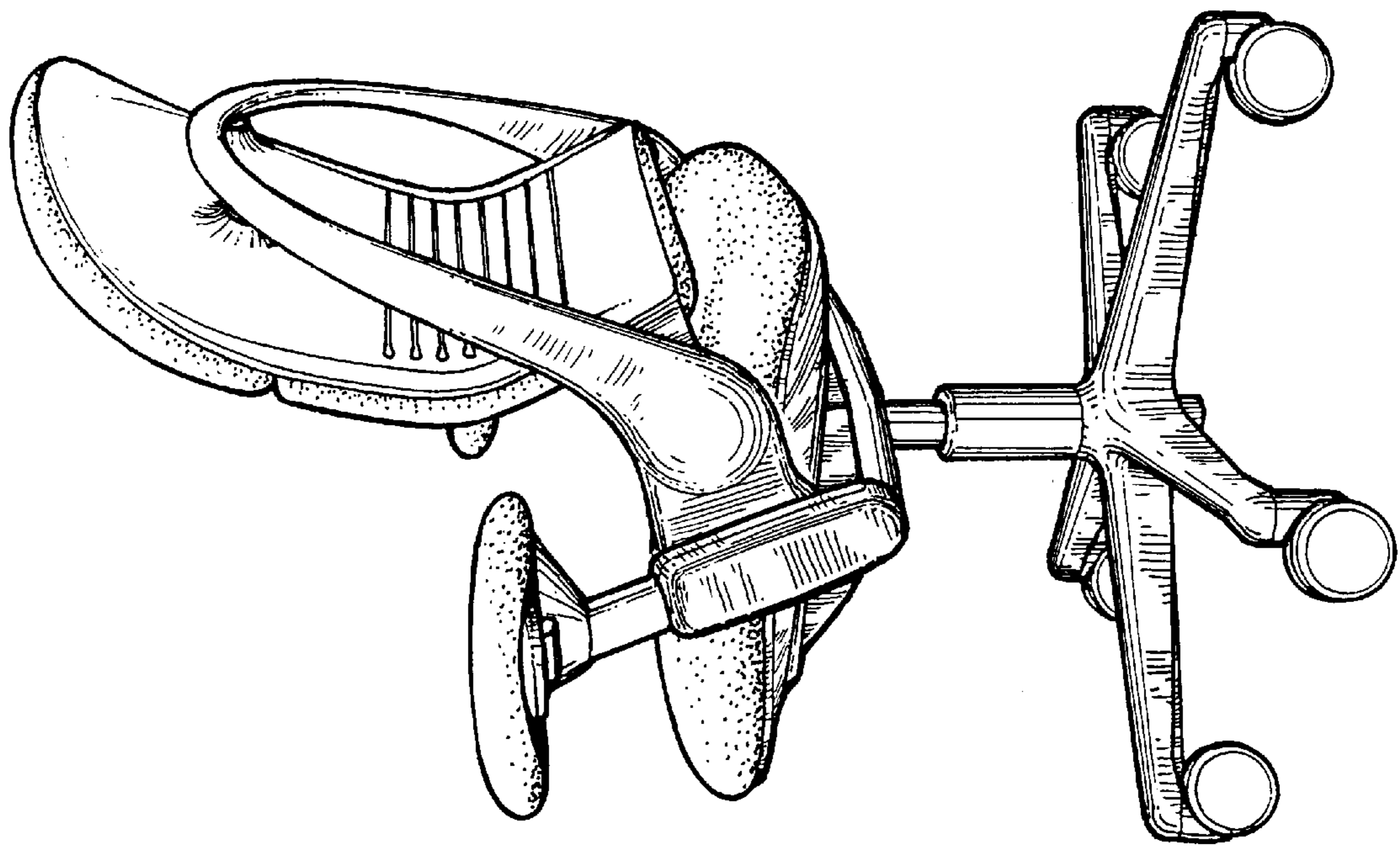


Fig. 3

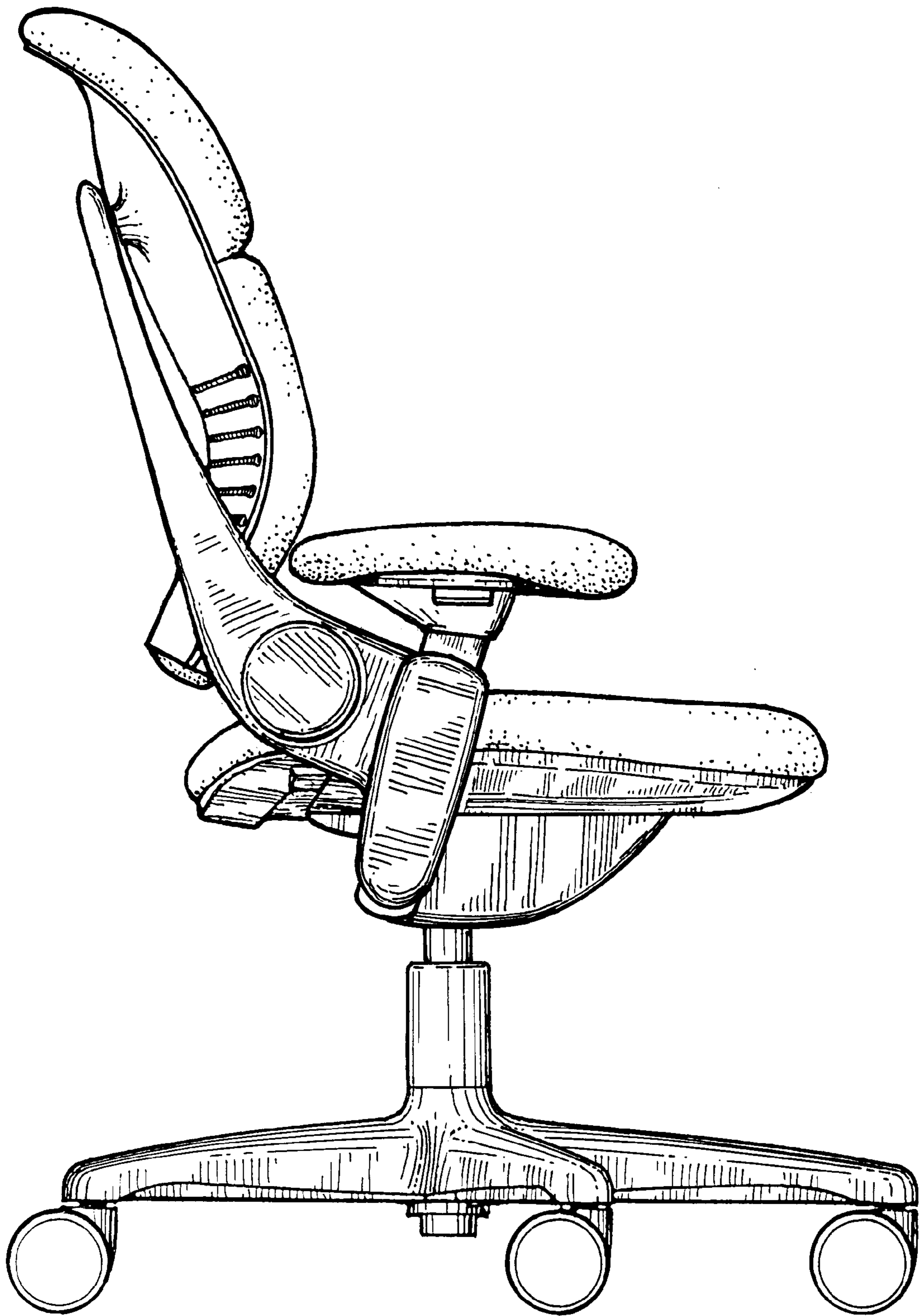


Fig. 4

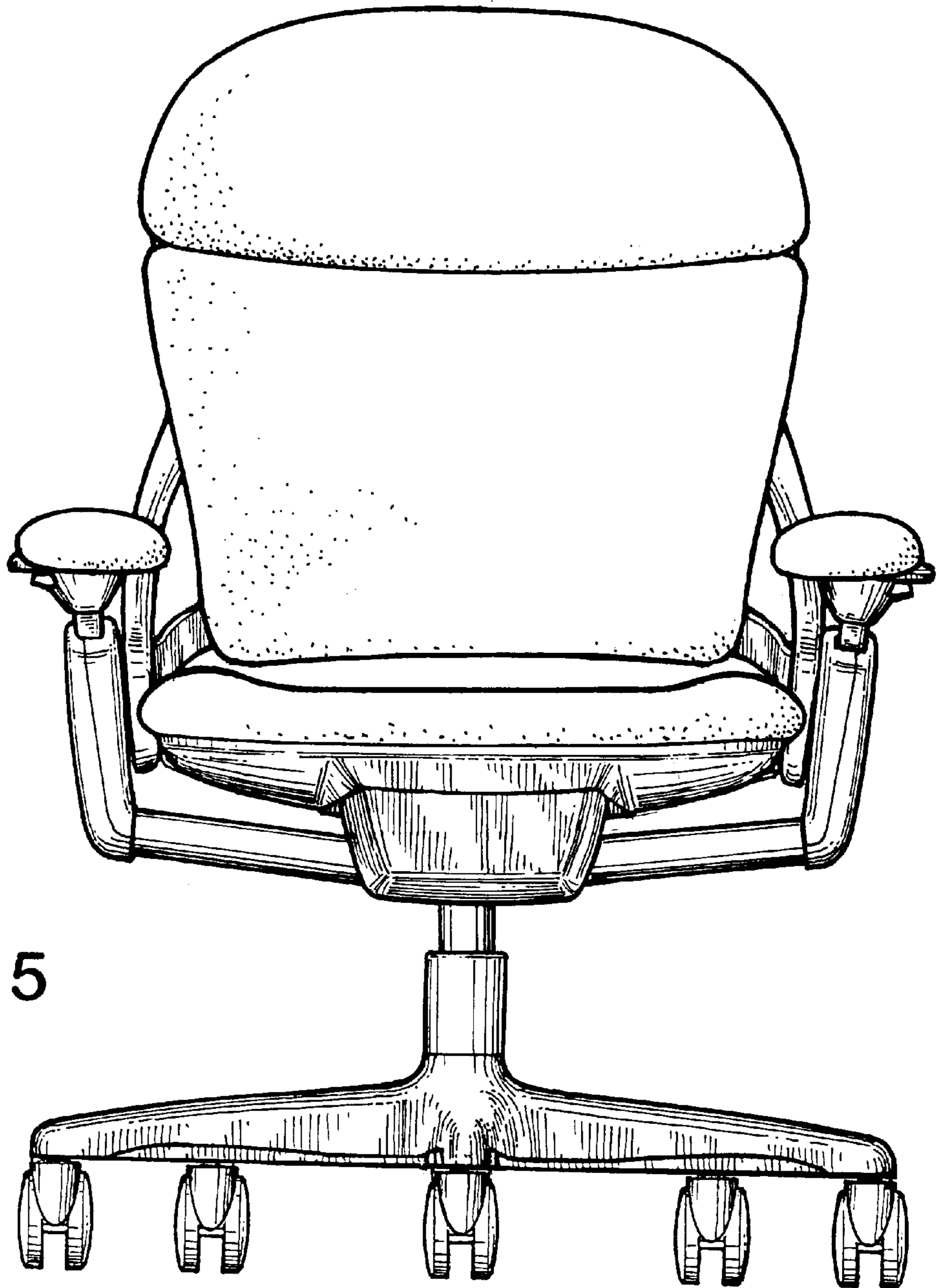


Fig. 5

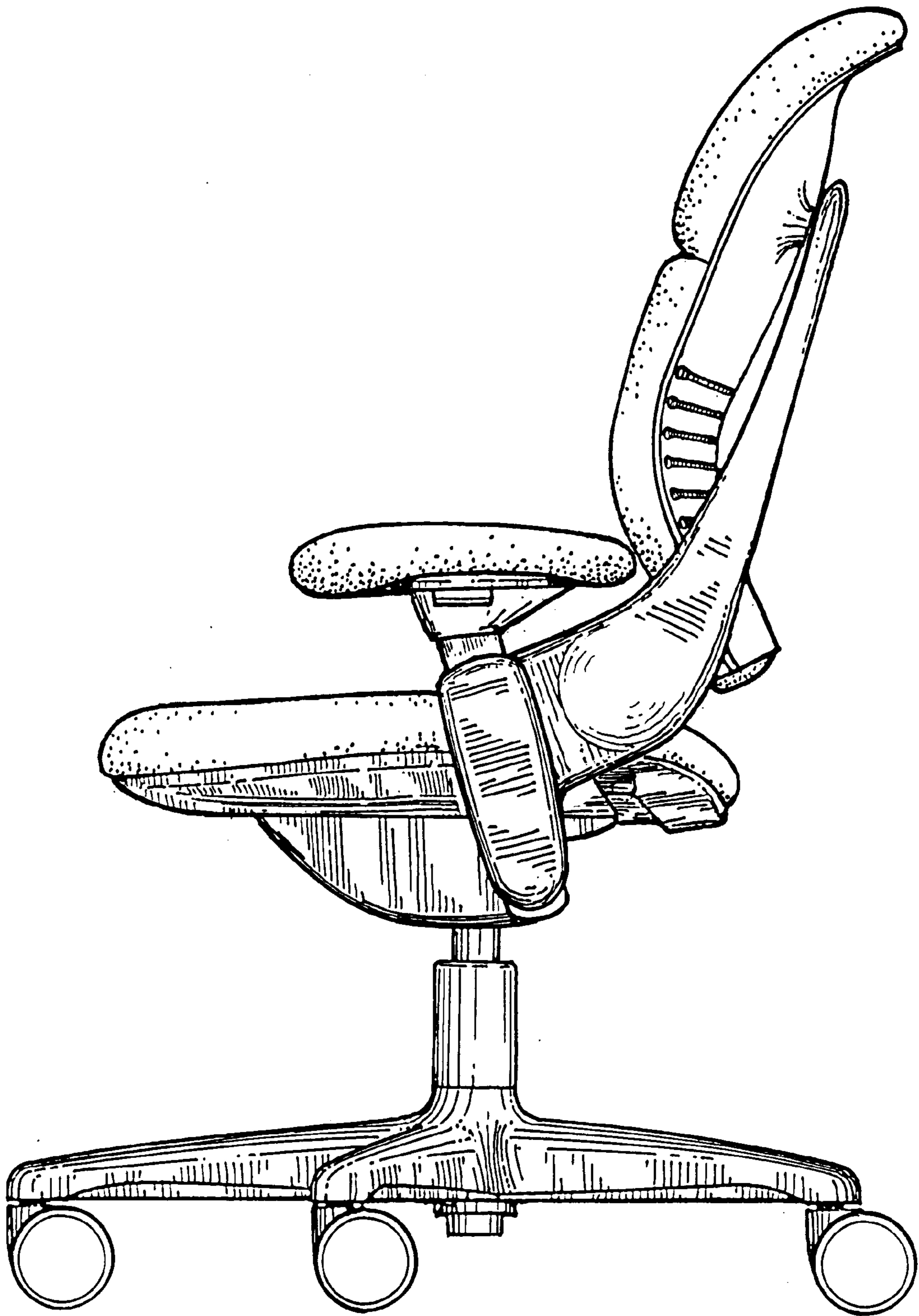


Fig. 6

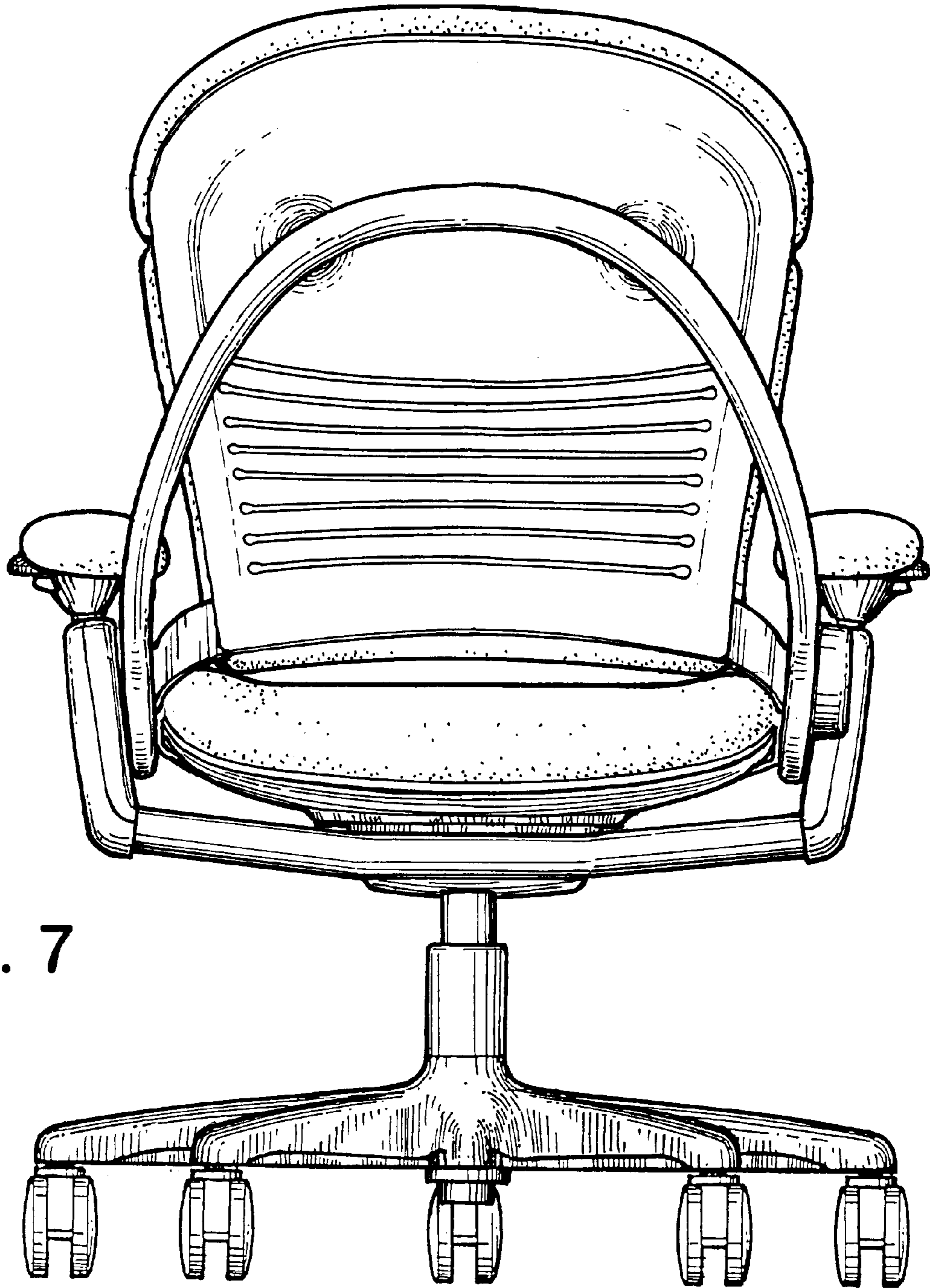


Fig. 7

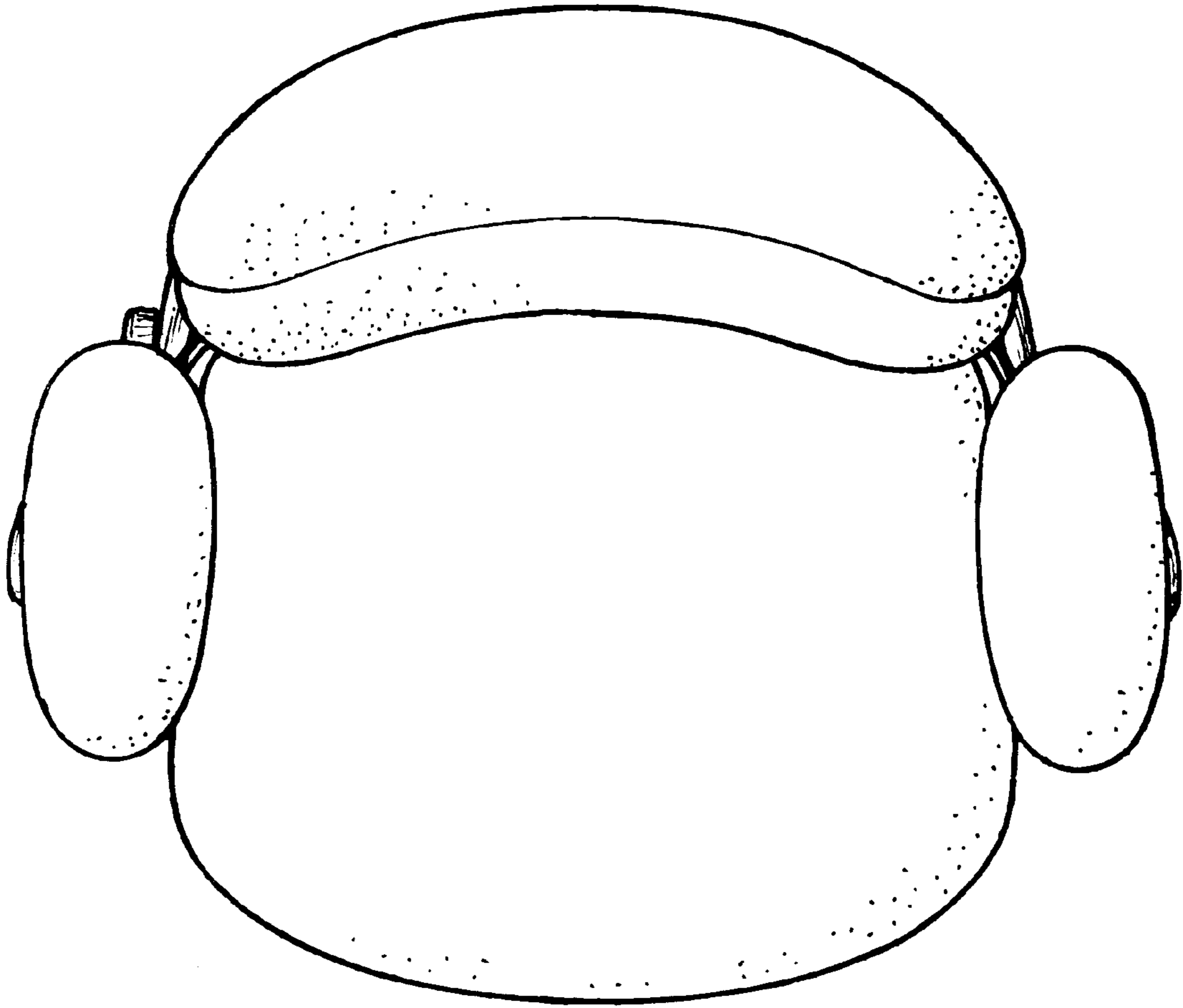


Fig. 8

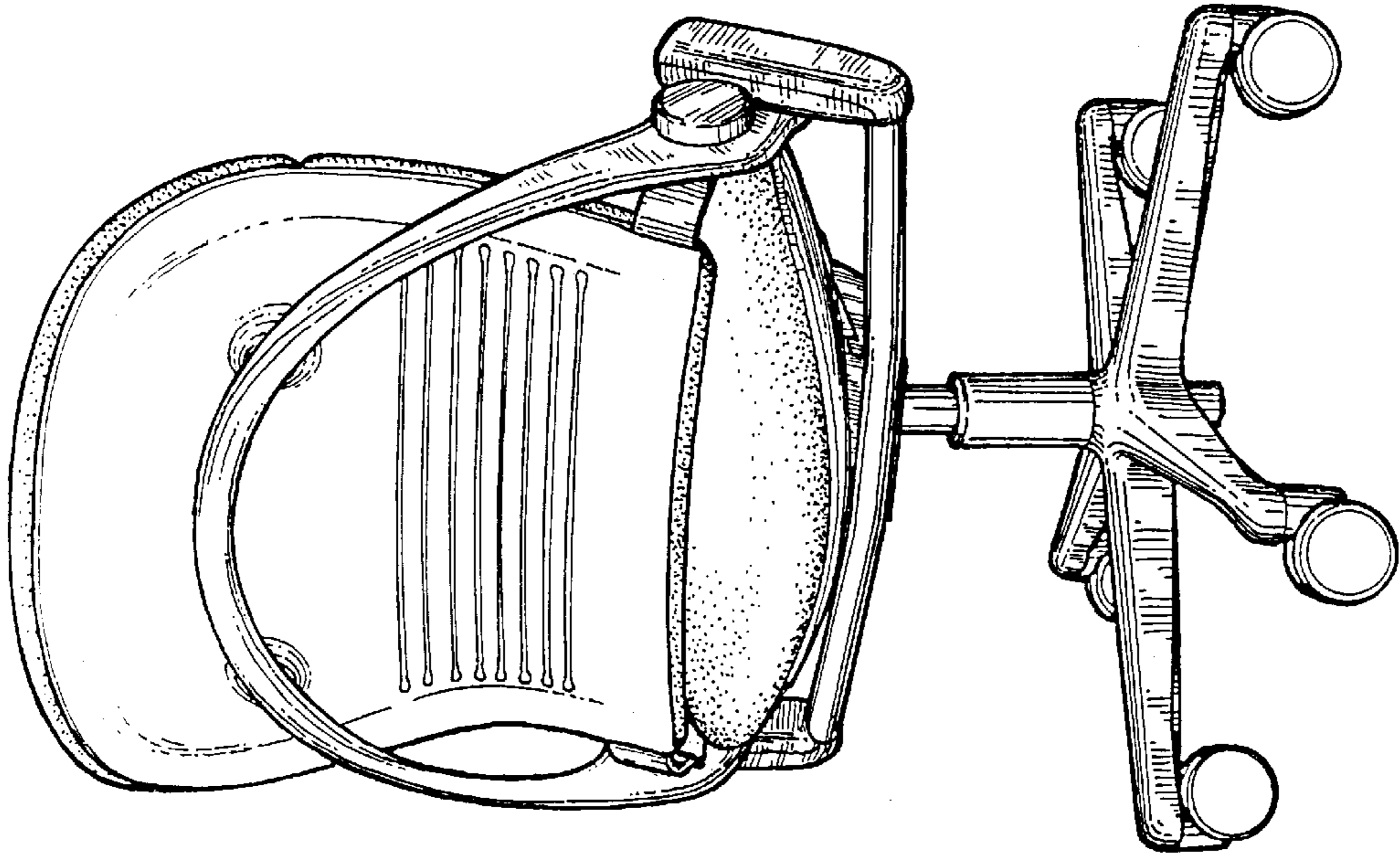


Fig. 10

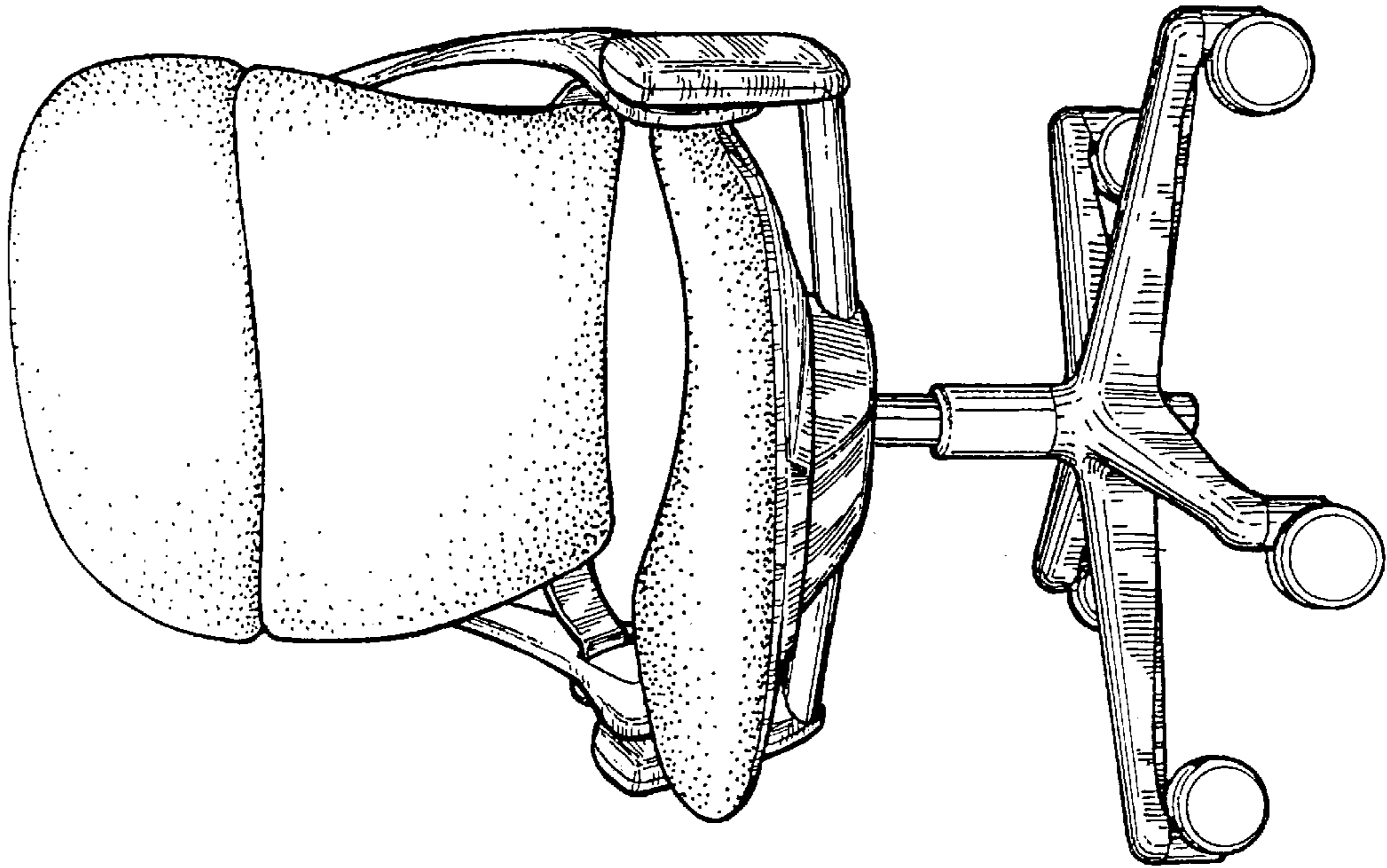


Fig. 9

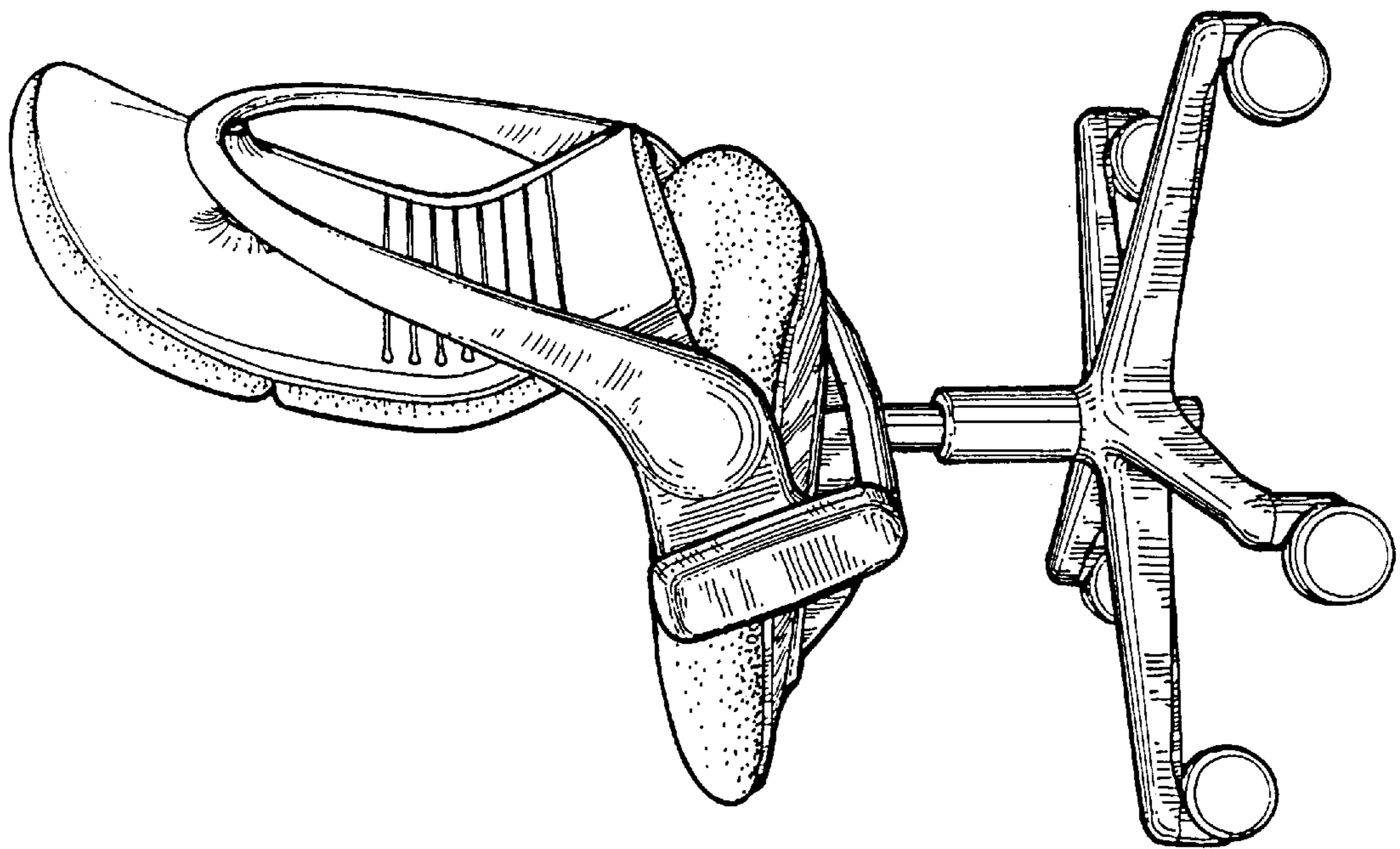


Fig. 11

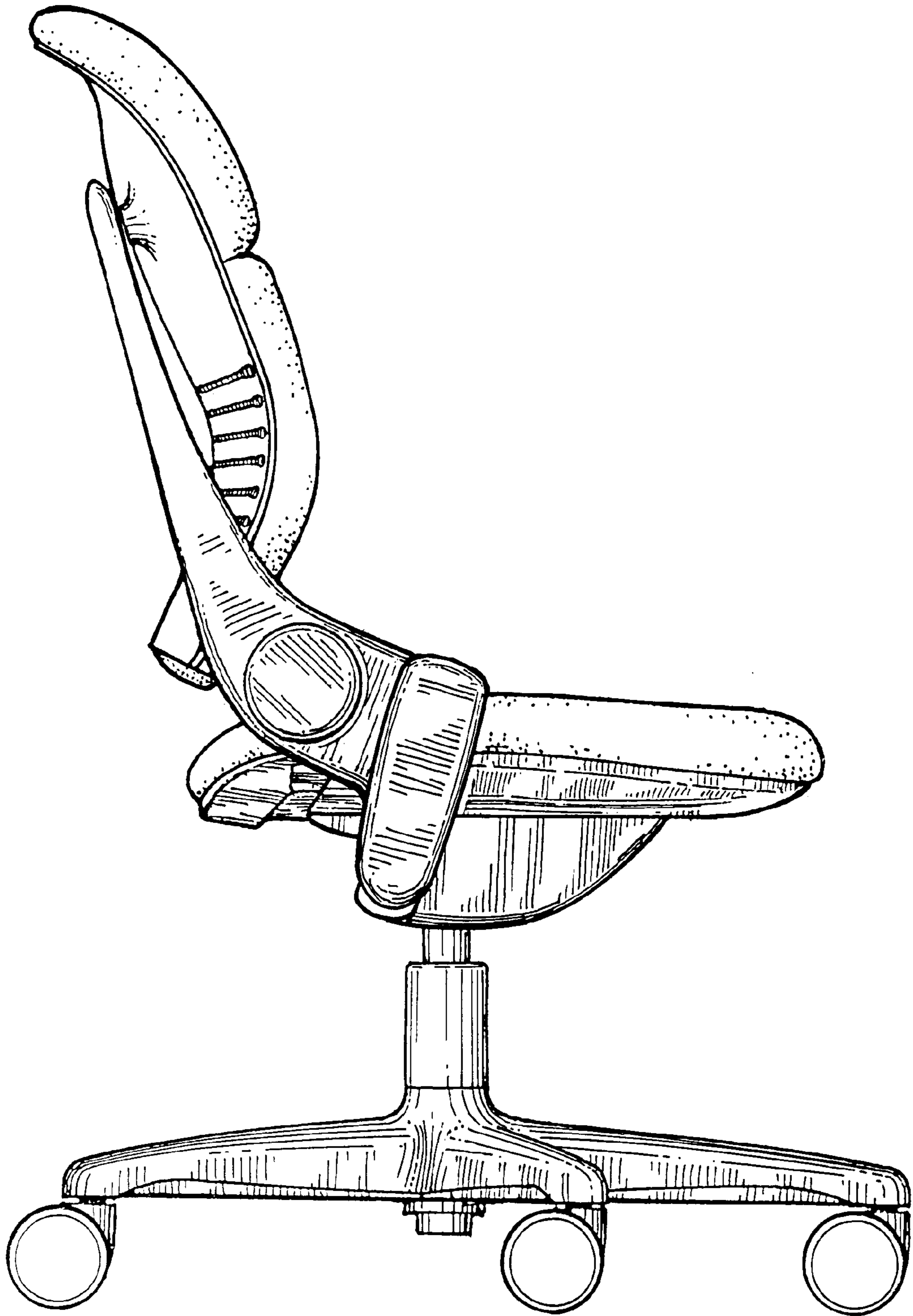


Fig. 12

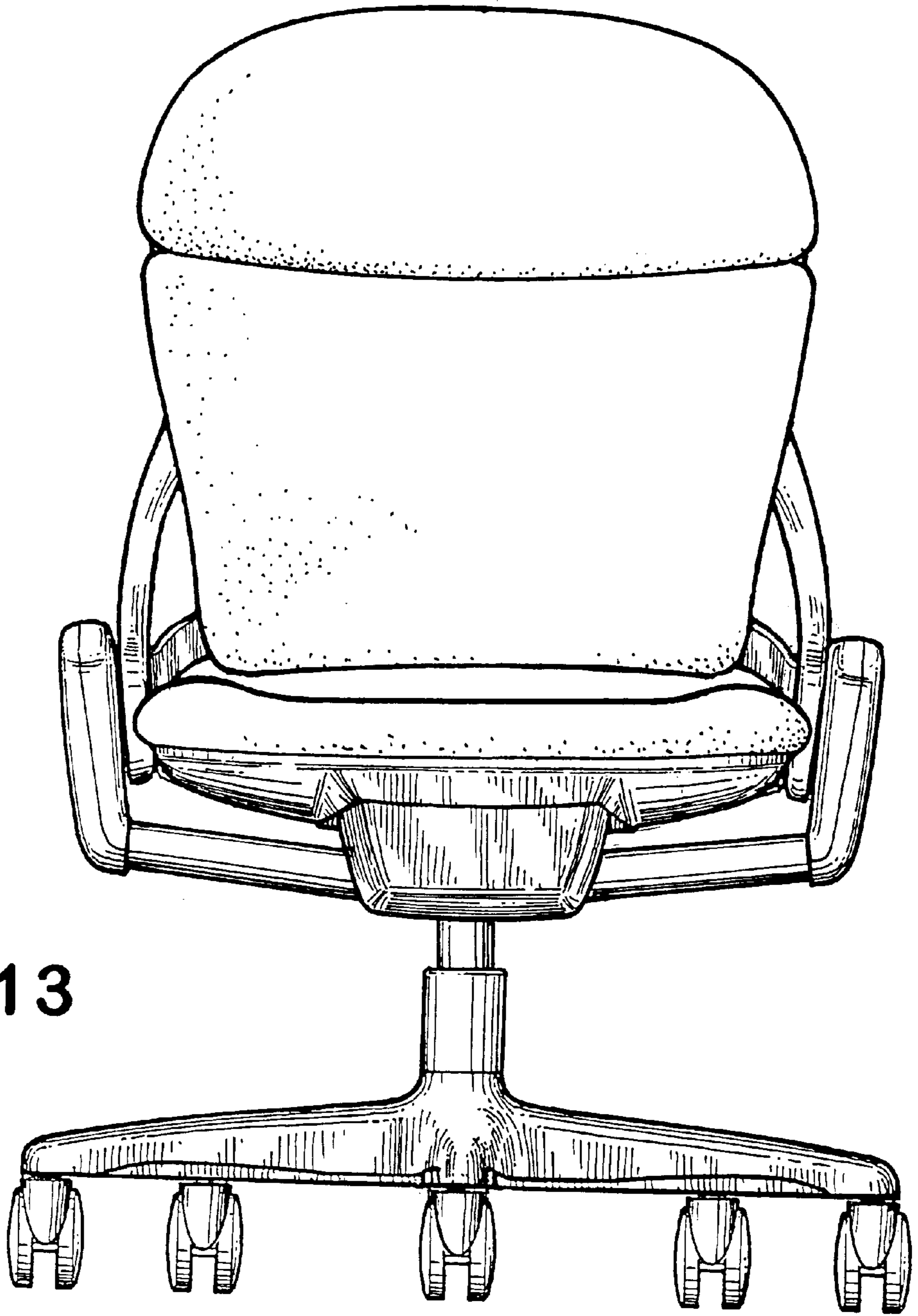


Fig. 13

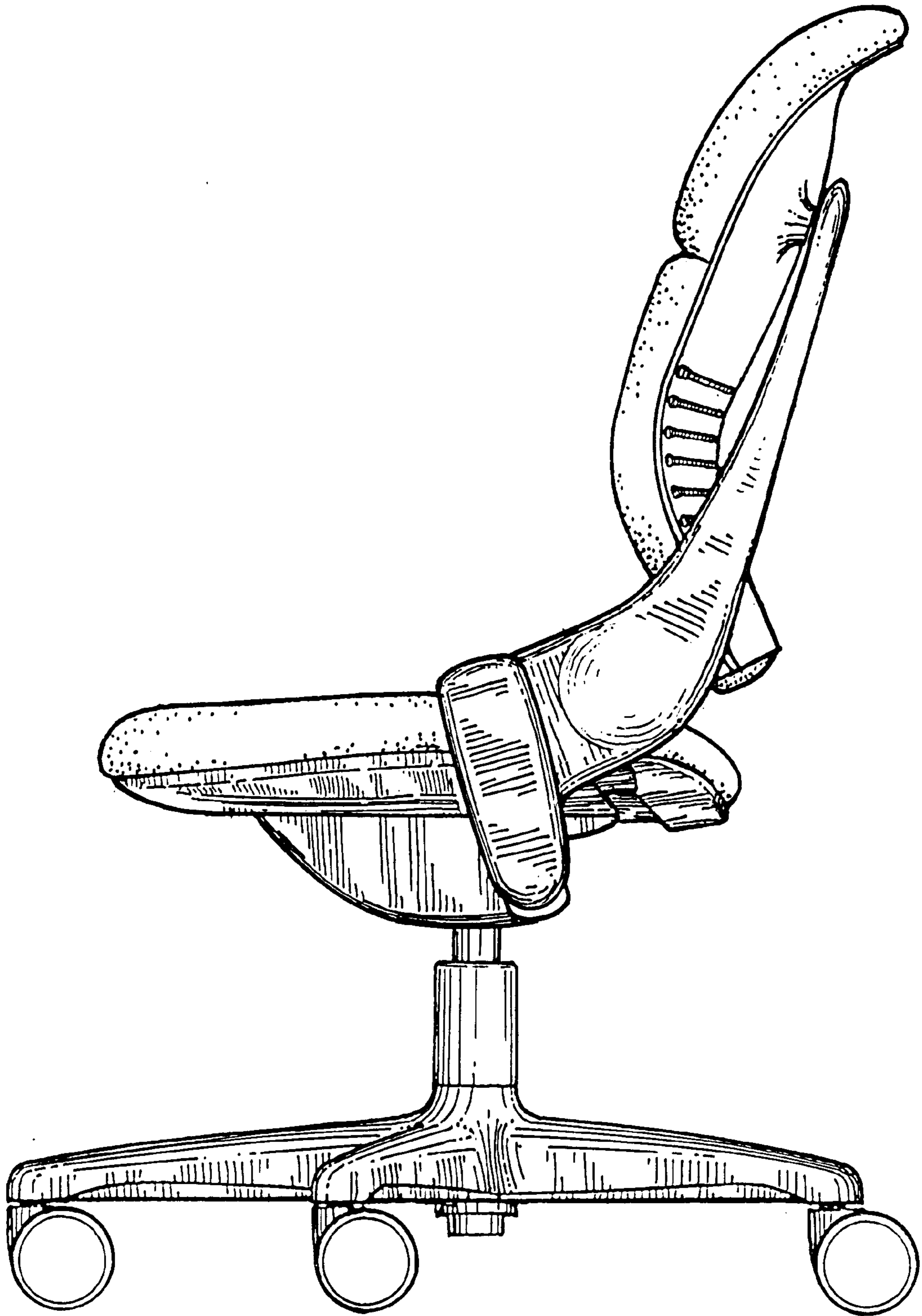


Fig. 14

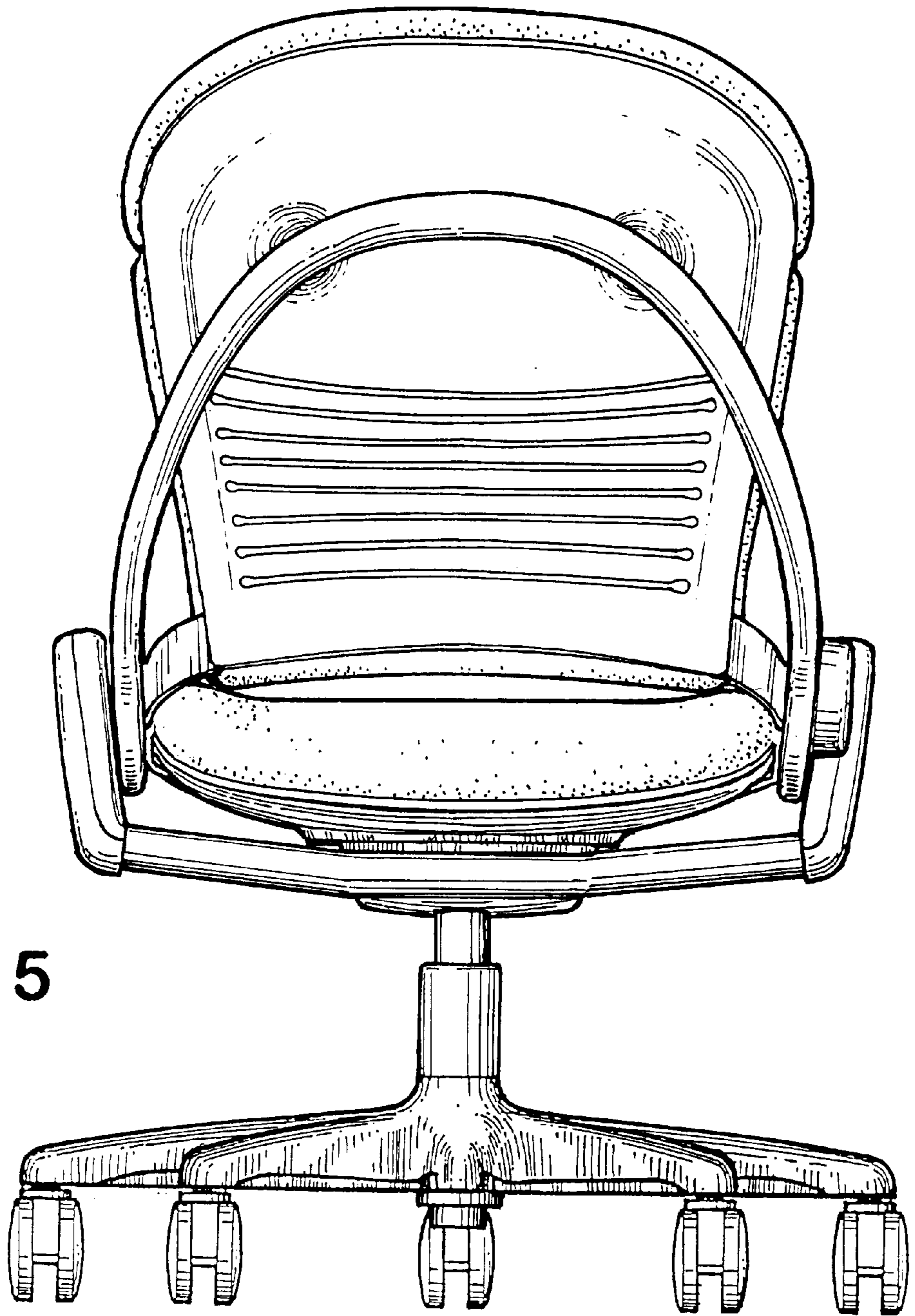


Fig. 15

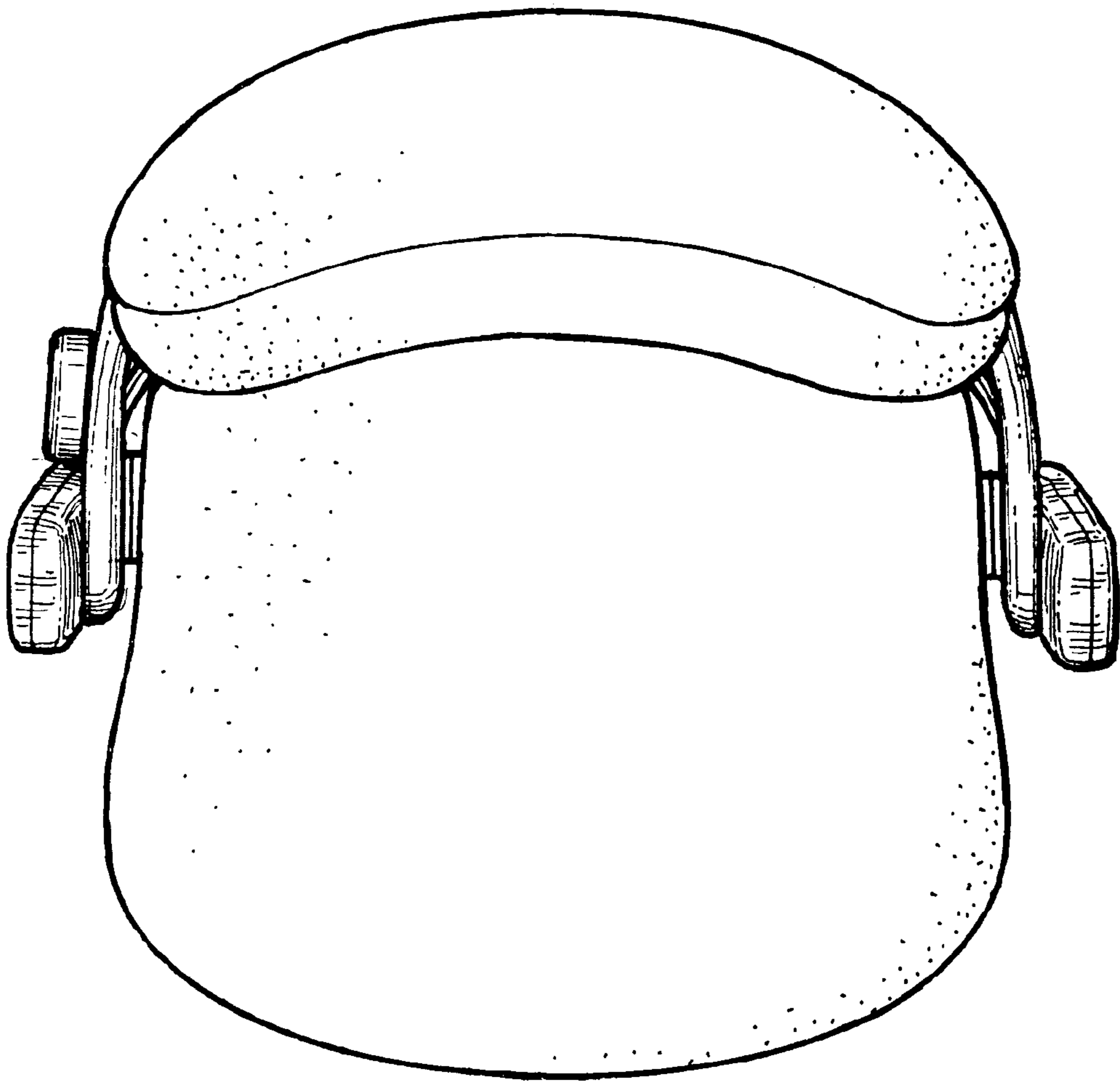


Fig. 16