



US00D414348S

United States Patent [19] Habeck

[11] **Patent Number: Des. 414,348**

[45] **Date of Patent: ** Sep. 28, 1999**

[54] **PORTABLE SEAT**

[75] Inventor: **John R. Habeck**, West Long Branch, N.J.

[73] Assignee: **Bumper Seat, Inc.**, West Long Branch, N.J.

[**] Term: **14 Years**

[21] Appl. No.: **29/084,023**

[22] Filed: **Feb. 23, 1998**

Related U.S. Application Data

[63] Continuation-in-part of application No. 08/686,110, Jul. 24, 1996, Pat. No. 5,720,522.

[51] **LOC (6) Cl.** **06-01**

[52] **U.S. Cl.** **D6/362**

[58] **Field of Search** D6/334, 335, 336,
D6/362, 364, 367, 500, 501, 502; 297/4,
338, 337, 344.18, 451.4

[56] References Cited

U.S. PATENT DOCUMENTS

D. 139,702	12/1944	Castle	D6/364
D. 214,667	7/1969	Robson	D6/362
D. 239,482	4/1976	Sparrow	D6/362
D. 310,311	9/1990	Bergen et al.	D6/502

D. 342,779	12/1993	Root	D6/362
D. 350,651	9/1994	Emery	D6/364
D. 371,477	7/1996	Lee	D6/502
1,711,526	5/1929	Forsyth	297/338
3,990,537	11/1976	Swenson	D6/362
4,676,547	6/1987	Spillman	D6/364
4,738,487	4/1988	Shalinski et al.	297/338

Primary Examiner—Doris V. Coles
Assistant Examiner—Mimosa De
Attorney, Agent, or Firm—Robert M. Skolnik

[57] CLAIM

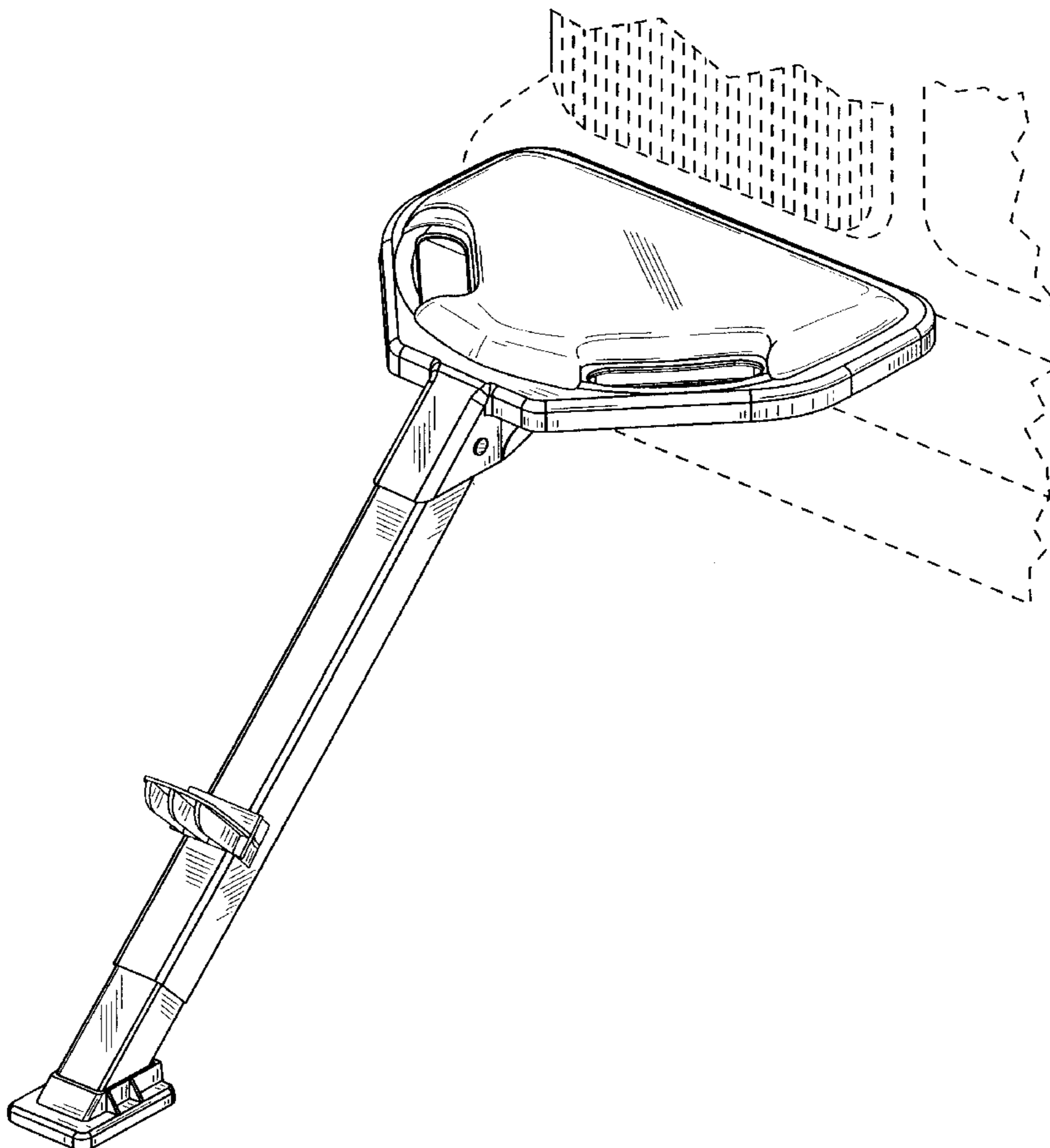
The ornamental design for a portable seat, as shown and described.

DESCRIPTION

FIG. 1 is perspective view of a portable seat showing my new design;
FIG. 2 is a front view thereof;
FIG. 3 is a back view thereof;
FIG. 4 is a left side view thereof;
FIG. 5 is a right side view thereof;
FIG. 6 is a top view thereof; and,
FIG. 7 is a bottom view thereof.

The broken line showing of environmental structure shown in FIG. 1 of the drawing is for illustrative purposes only and forms no part of the claimed design.

1 Claim, 7 Drawing Sheets



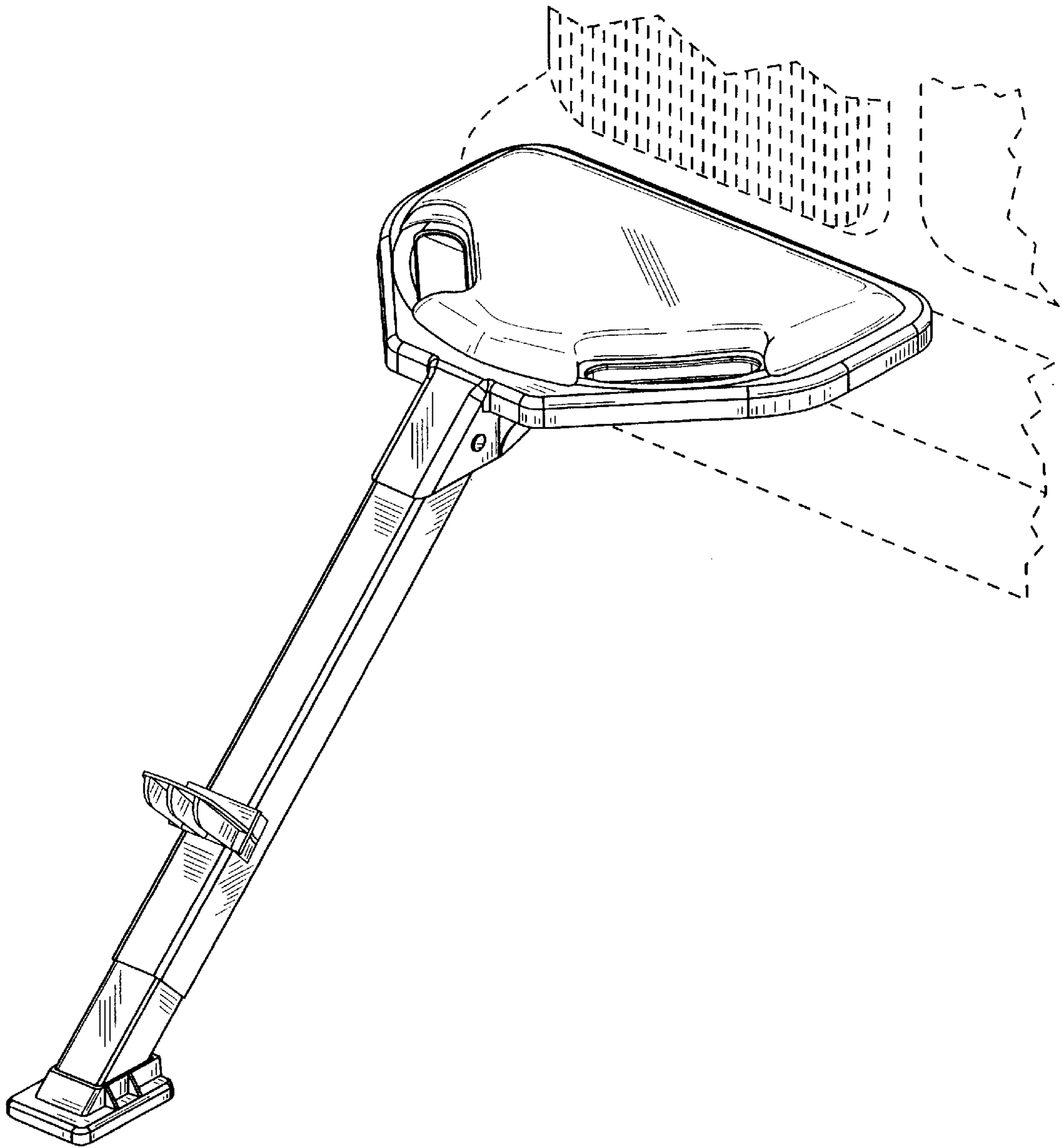


FIG. 1

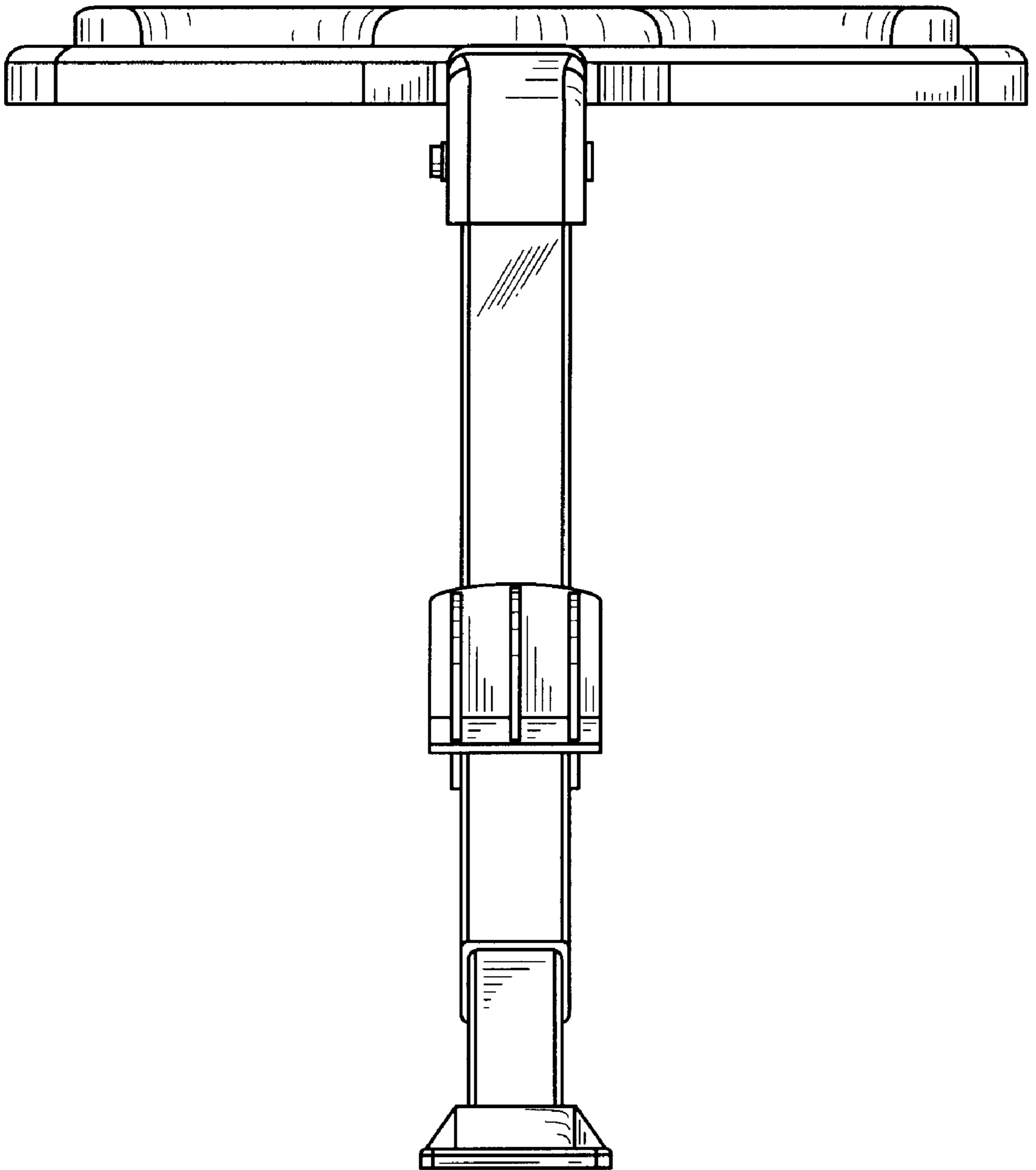


FIG. 2

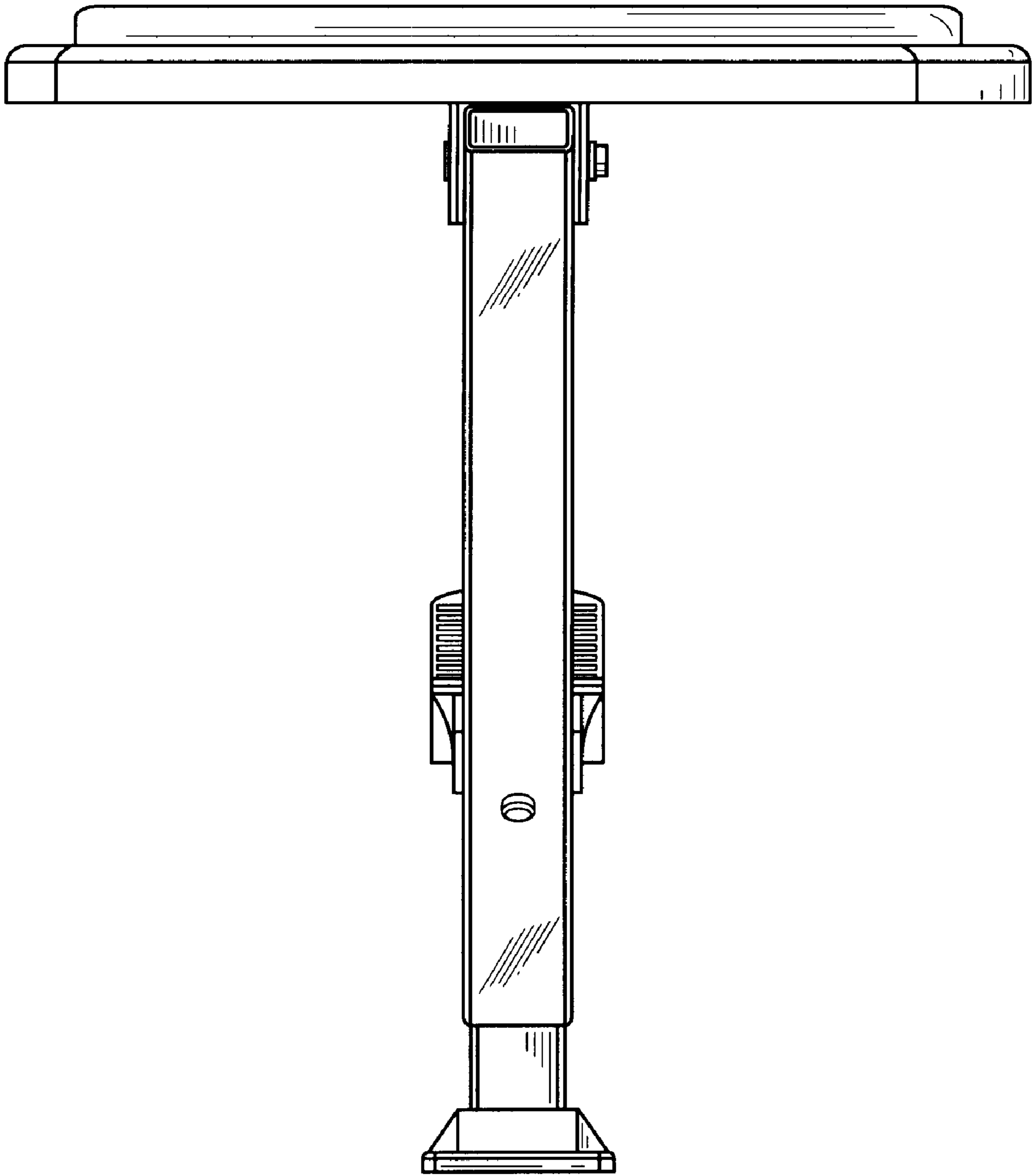


FIG. 3

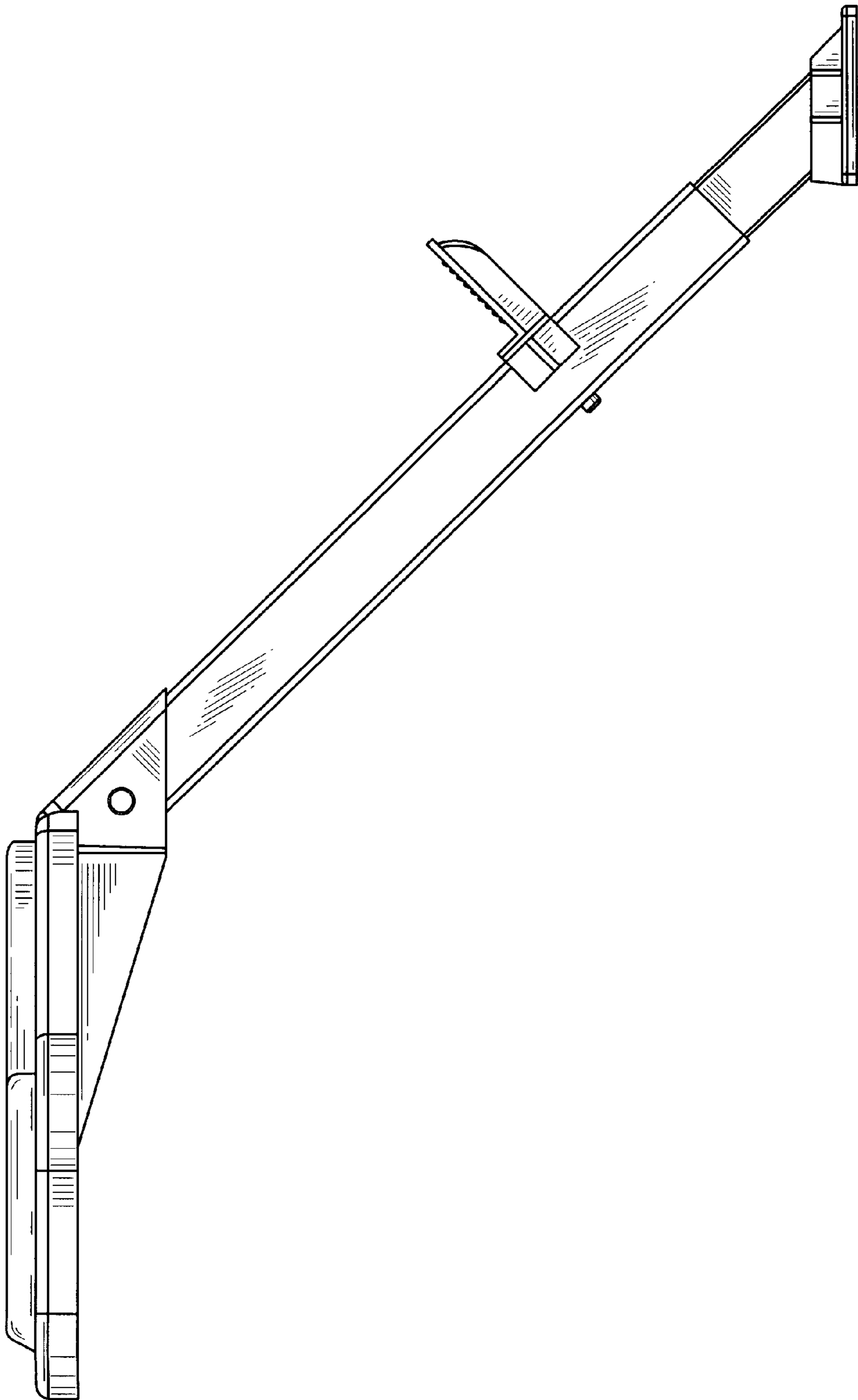


FIG. 4

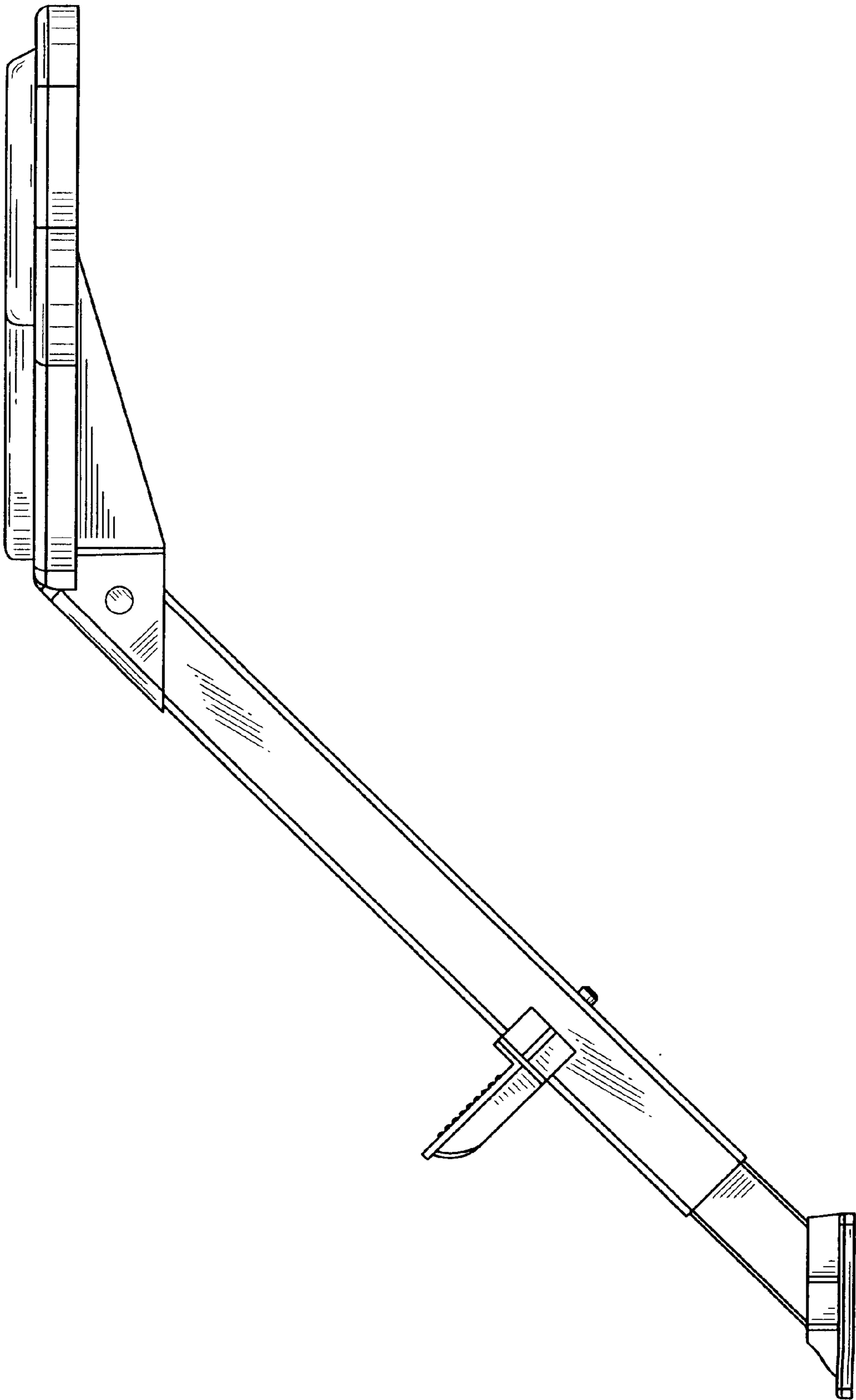


FIG. 5

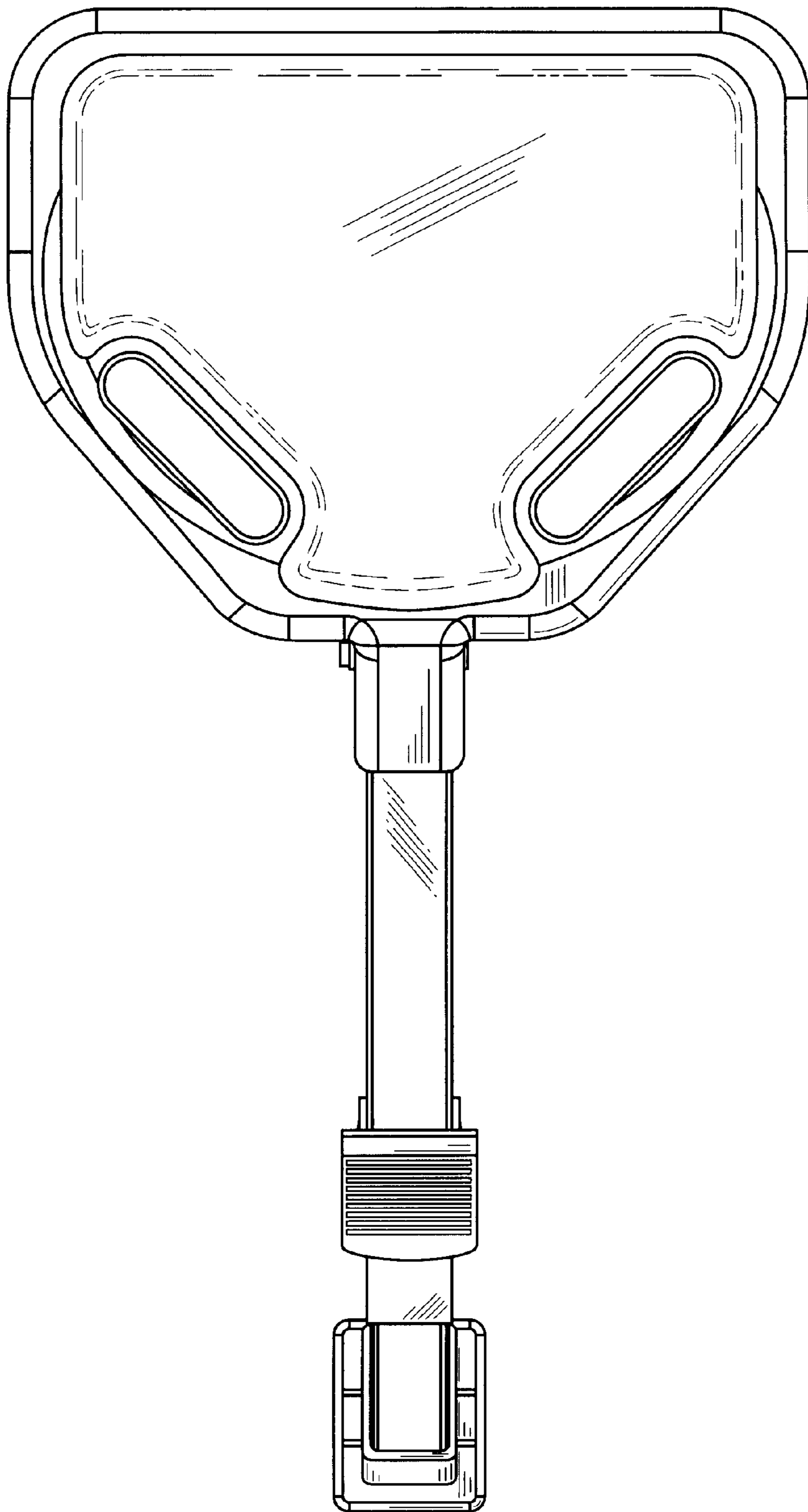


FIG.6

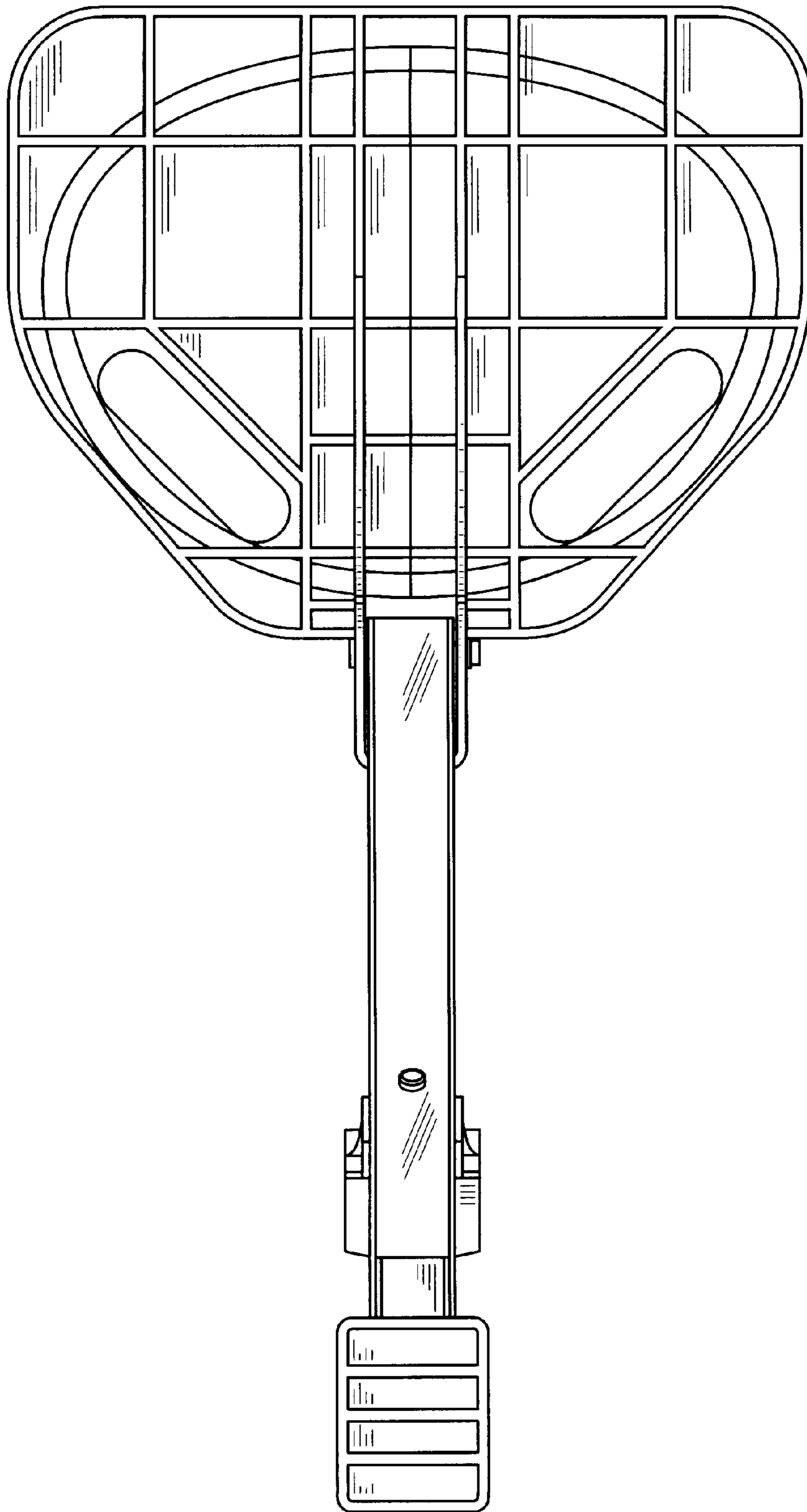


FIG.7