



US00D414346S

**United States Patent** [19]  
**Houssian**

[11] **Patent Number: Des. 414,346**

[45] **Date of Patent: \*\* Sep. 28, 1999**

[54] **PICTURE FRAME CORNER**

*Primary Examiner*—Janice E. Seeger

[75] Inventor: **Vazgen J. Houssian**, Union City, N.J.

[57] **CLAIM**

[73] Assignee: **Esselte Letraset Limited**, Ashford,  
United Kingdom

The ornamental design for a picture frame corner, as shown  
and described.

[\*\*] Term: **14 Years**

**DESCRIPTION**

[21] Appl. No.: **29/040,148**

FIG. 1 is a perspective view of a picture frame corner,  
showing my new design, the broken lines are for environ-  
mental purposes only and form no part of the claimed  
design;

[22] Filed: **Jun. 12, 1995**

FIG. 2 of a front view thereof;

[51] **LOC (6) Cl.** ..... **06-07**

[52] **U.S. Cl.** ..... **D6/300**

FIG. 3 is a rear view thereof;

[58] **Field of Search** ..... D6/300-314, 491;  
40/152, 152.1, 154, 159.1; D8/382

FIG. 4 is a left side view thereof;

[56] **References Cited**

FIG. 5 is a right side view thereof;

**PUBLICATIONS**

FIG. 6 is a top plan view thereof; and,

FIG. 7 is a bottom plan view thereof.

Exposures, Fall 1993, p. 34, #F frame at lower right.

Directions, Fall 1992, p. 2, mirror at lower left.

Interior Design, Nov. 1992, table leg.

**1 Claim, 2 Drawing Sheets**

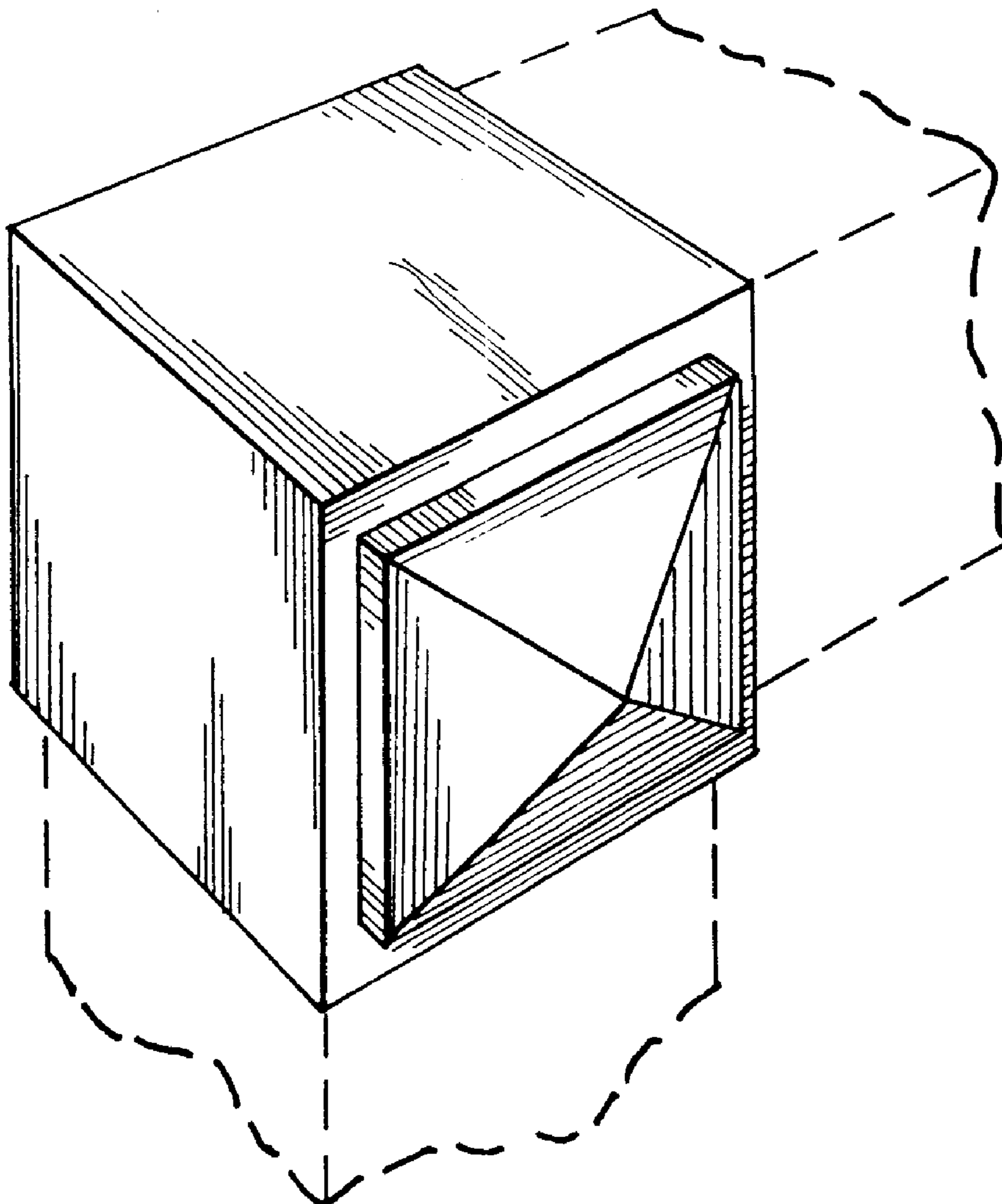


FIG. 1

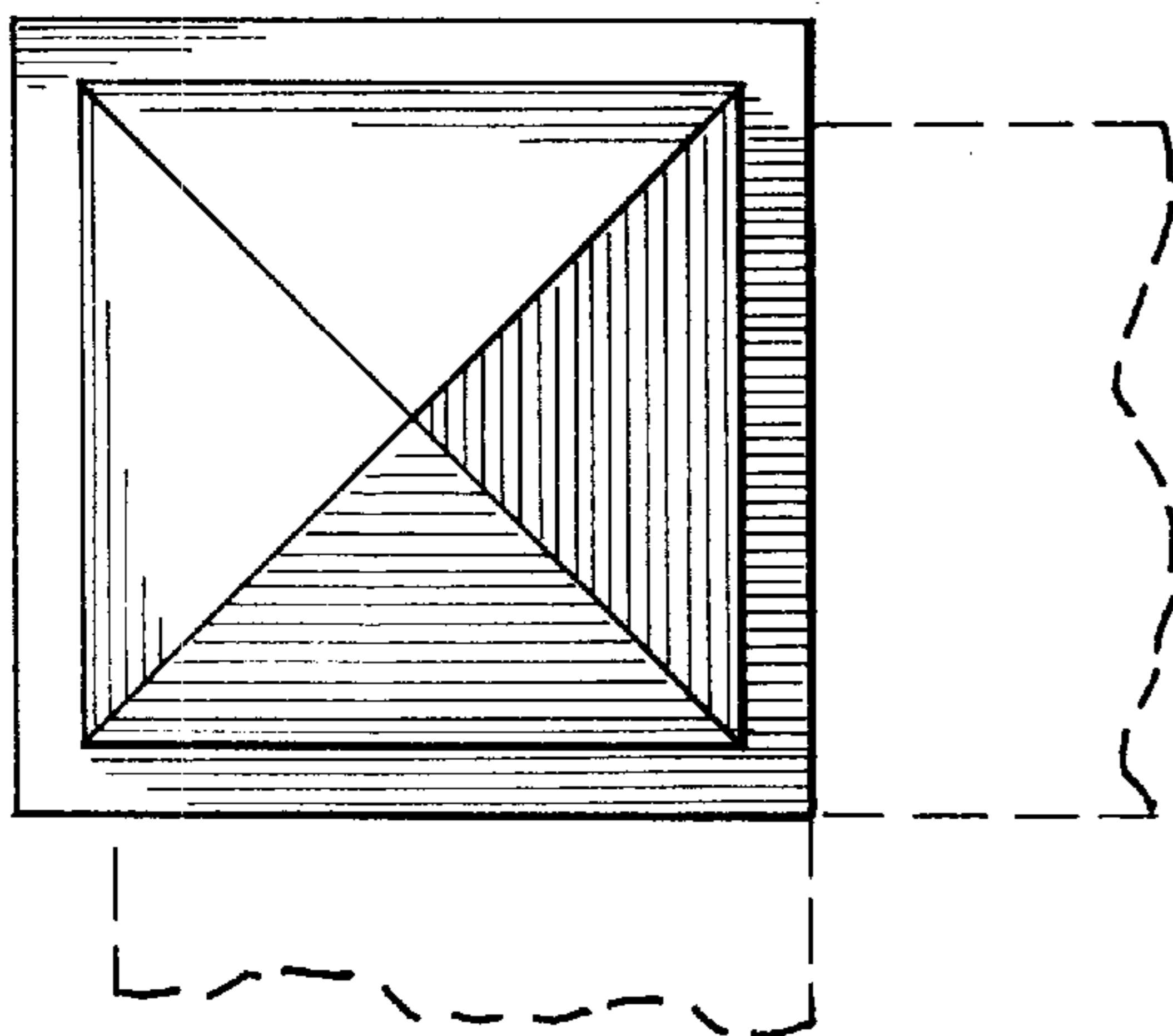
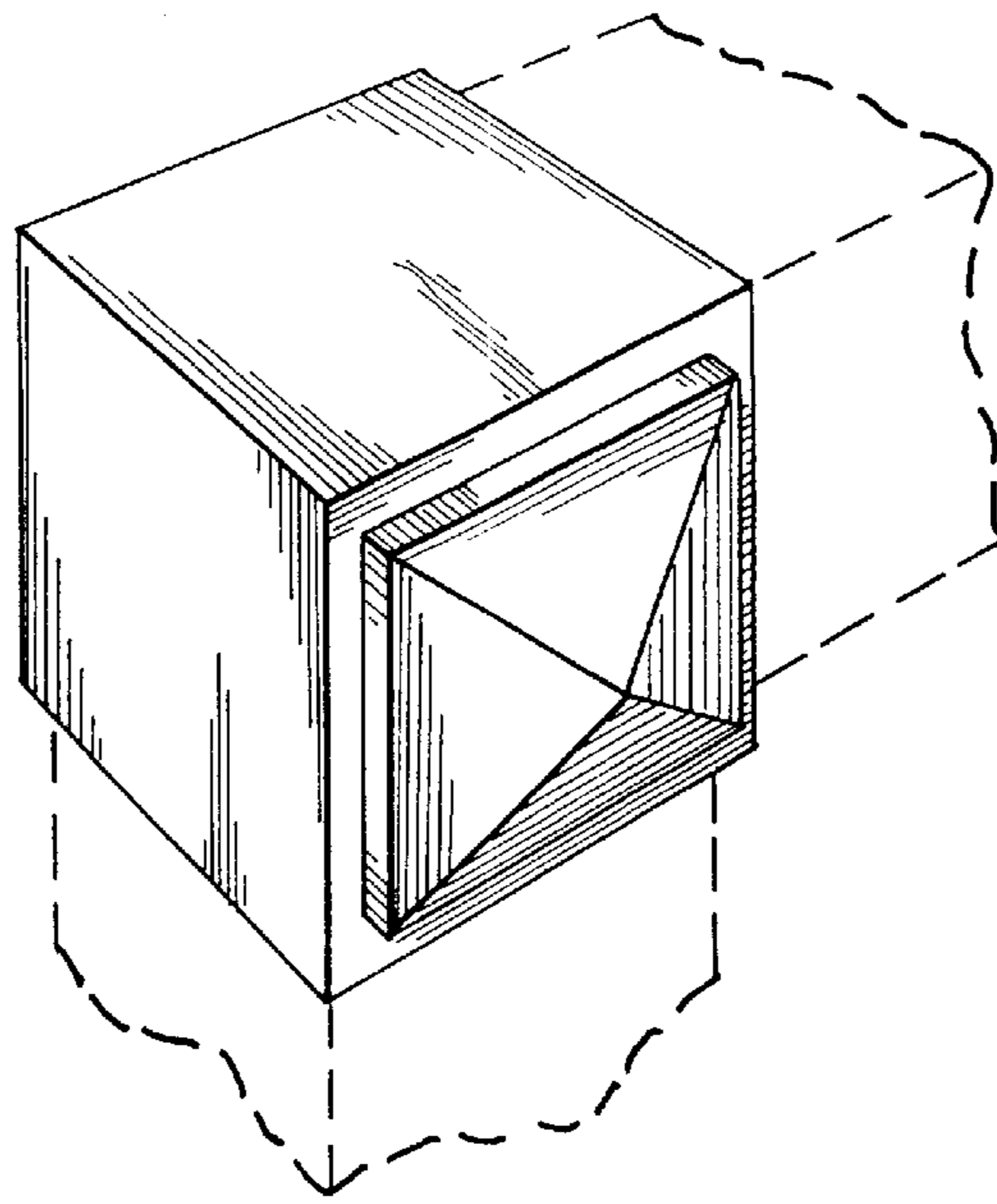
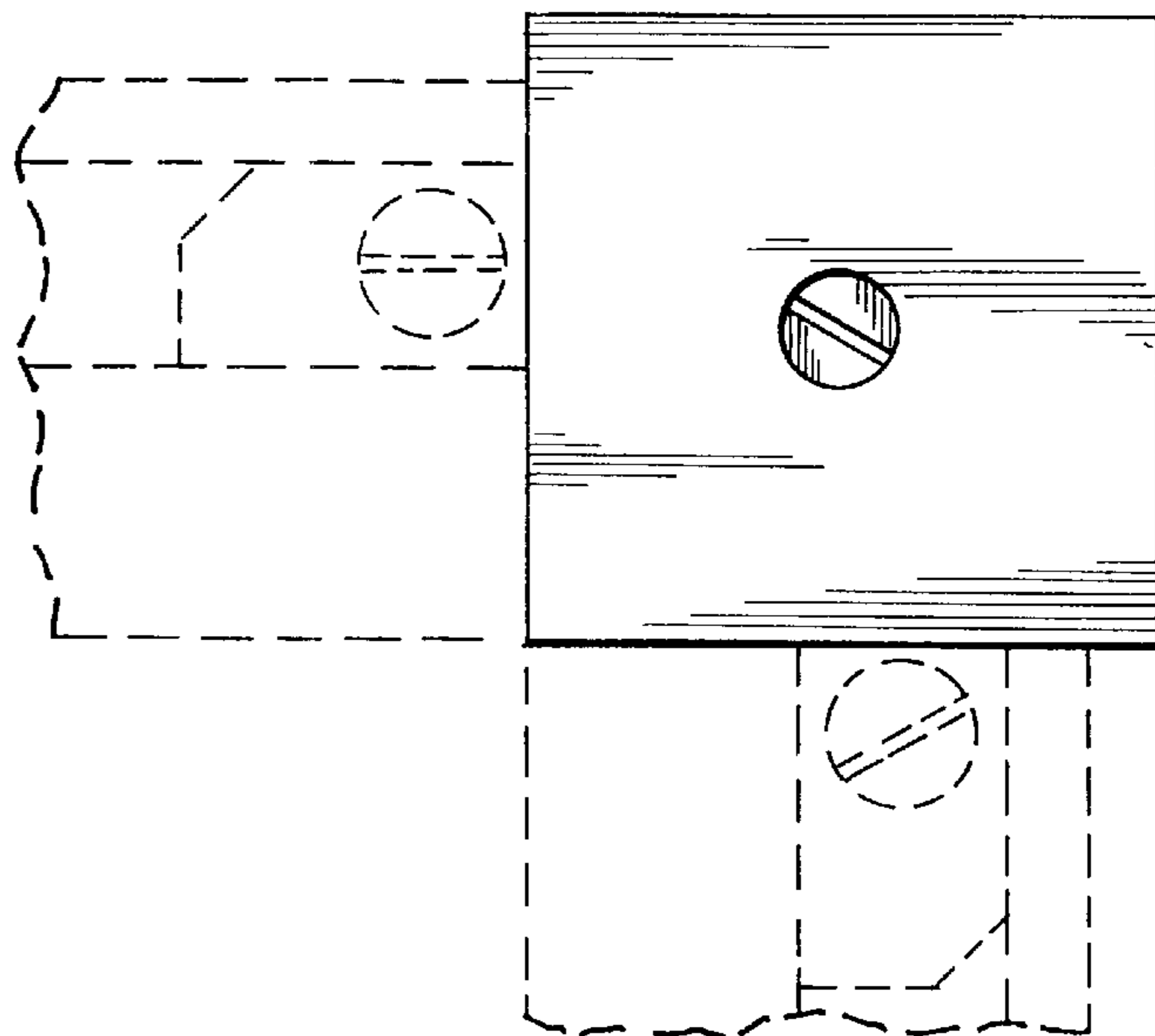


FIG. 2

FIG. 3



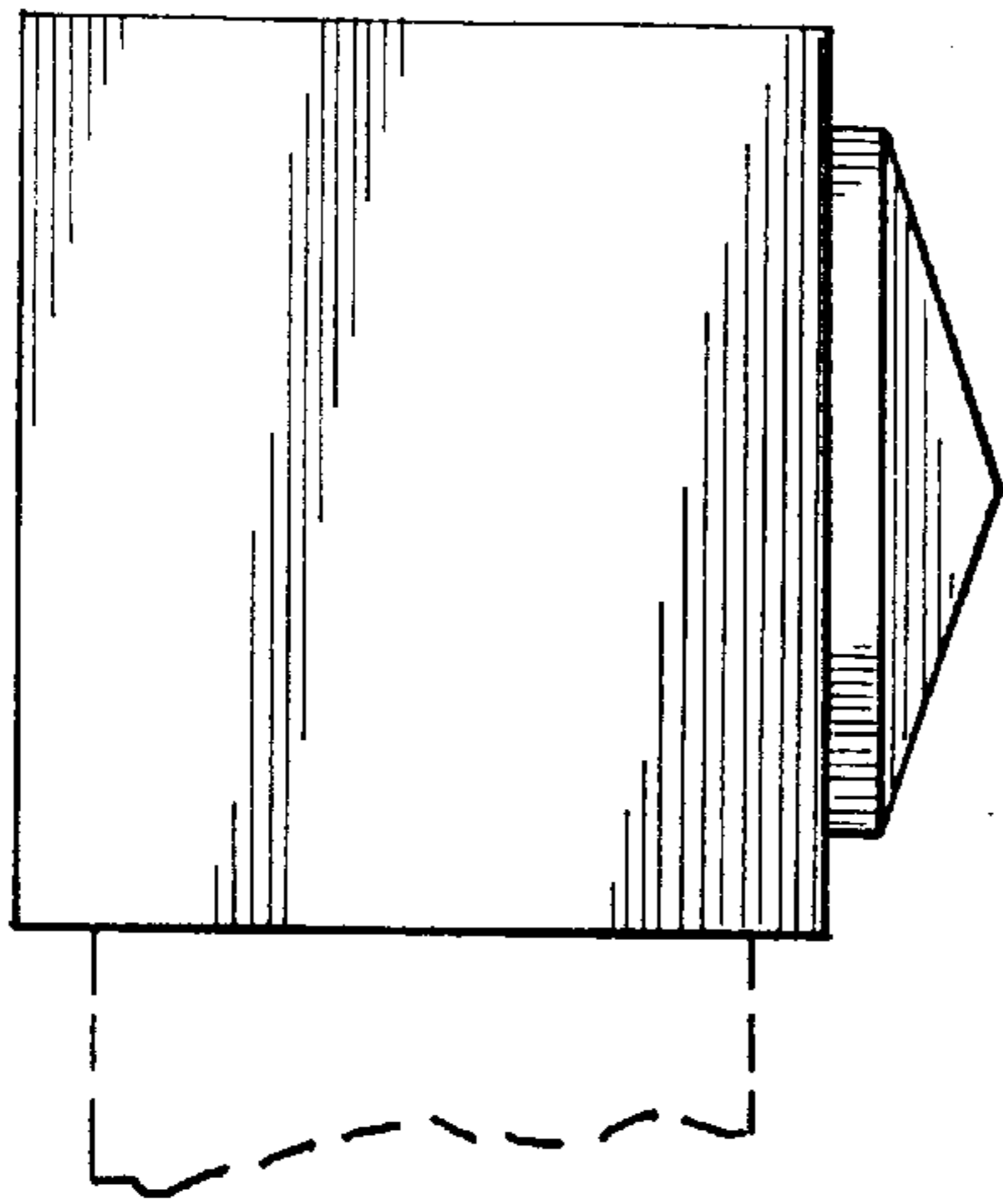


FIG. 4

FIG. 5

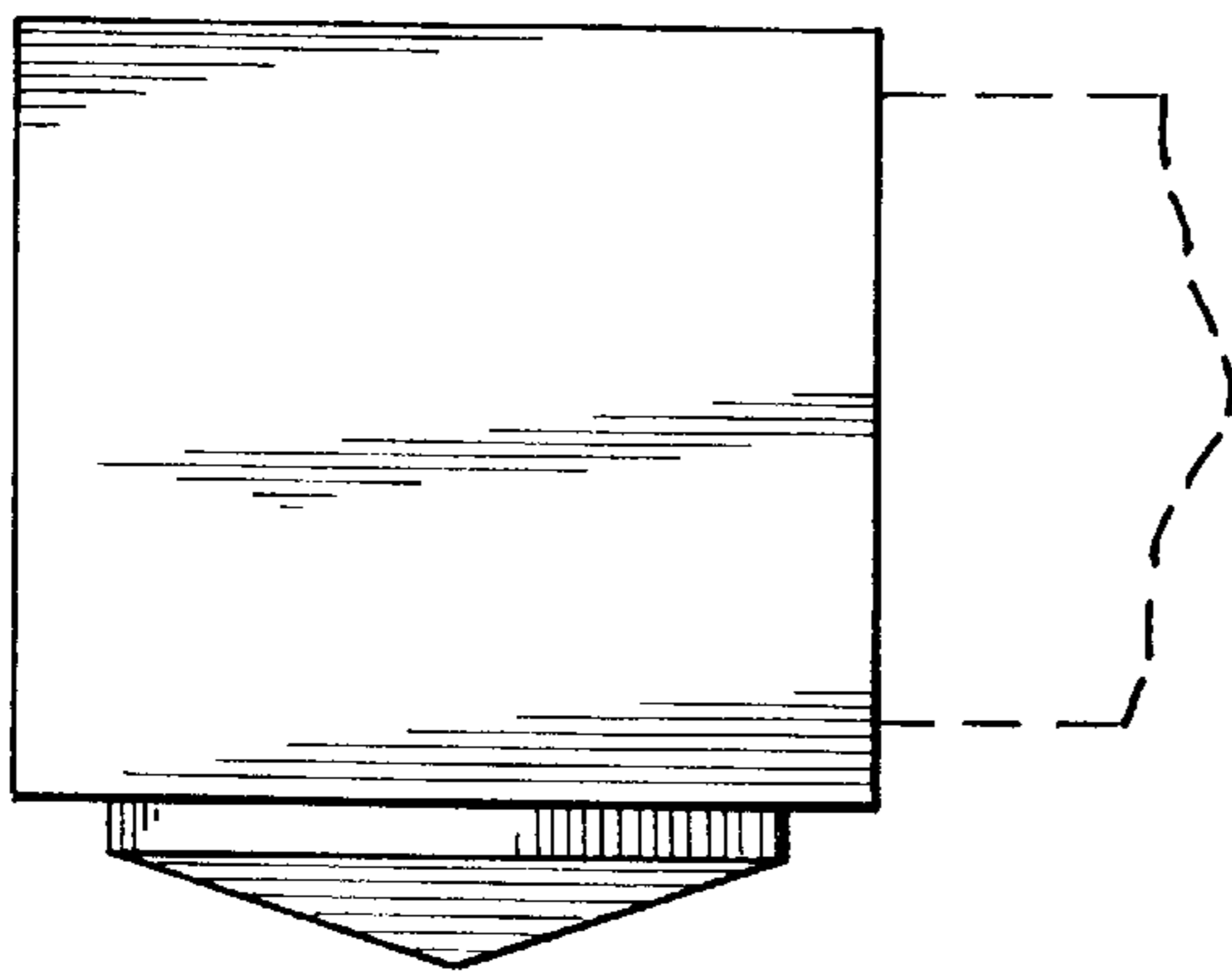
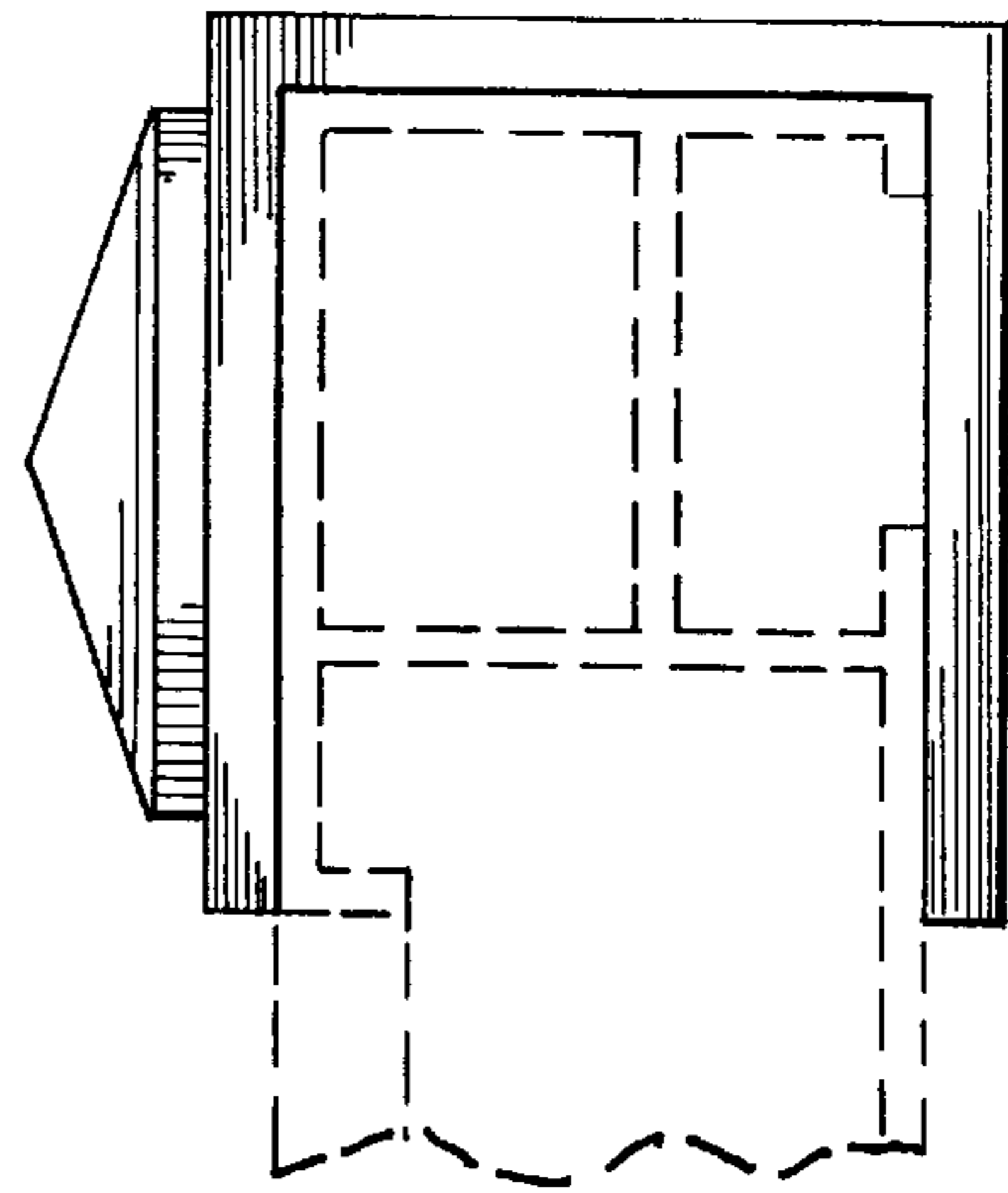


FIG. 6

FIG. 7

