



US00D414339S

# United States Patent [19]

[11] **Patent Number: Des. 414,339**

**Trojanowski et al.**

[45] **Date of Patent: \*\* \*Sep. 28, 1999**

[54] **BRISTLE HEAD FOR A TOOTHBRUSH**

D. 358,486	5/1995	Loew	.....	D4/104
D. 386,004	11/1997	Trojanowski et al.	.....	D4/104
1,899,242	2/1933	McNab	.....	15/157.1 X
5,305,492	4/1994	Giuliani et al.	.....	15/167.1 X

[75] Inventors: **Alan G. Trojanowski**, Monmouth Junction, N.J.; **Nicholas R. Lee**, Morrisburg, Canada

### FOREIGN PATENT DOCUMENTS

[73] Assignee: **Johnson & Johnson Consumer Products, Inc.**, Skillman, N.J.

1054713 2/1954 France ..... 15/167.1

[\*] Notice: This patent is subject to a terminal disclaimer.

*Primary Examiner*—Alan P. Douglas  
*Assistant Examiner*—Lavone D. Tabor  
*Attorney, Agent, or Firm*—Lawrence D. Schuler

[\*\*] Term: **14 Years**

### [57] CLAIM

[21] Appl. No.: **29/045,640**

The ornamental design for a bristle head for a toothbrush, as shown and described.

[22] Filed: **Oct. 25, 1995**

### DESCRIPTION

[51] **LOC (6) Cl.** ..... **04-02**

FIG. 1 is a perspective view showing the bristle head of our new design;

[52] **U.S. Cl.** ..... **D4/104**

FIG. 2 is a top plan view thereof;

[58] **Field of Search** ..... D4/104-112, 130, D4/132-134; 15/159.1, 160, 167.1, 167.2, 186, 187, DIG. 5; 601/139, 141

FIG. 3 is a side elevational view thereof, the opposite side being a mirror image;

FIG. 4 is a bottom plan view thereof;

FIG. 5 is a front elevational view thereof;

FIG. 6 is a rear elevational view thereof; and,

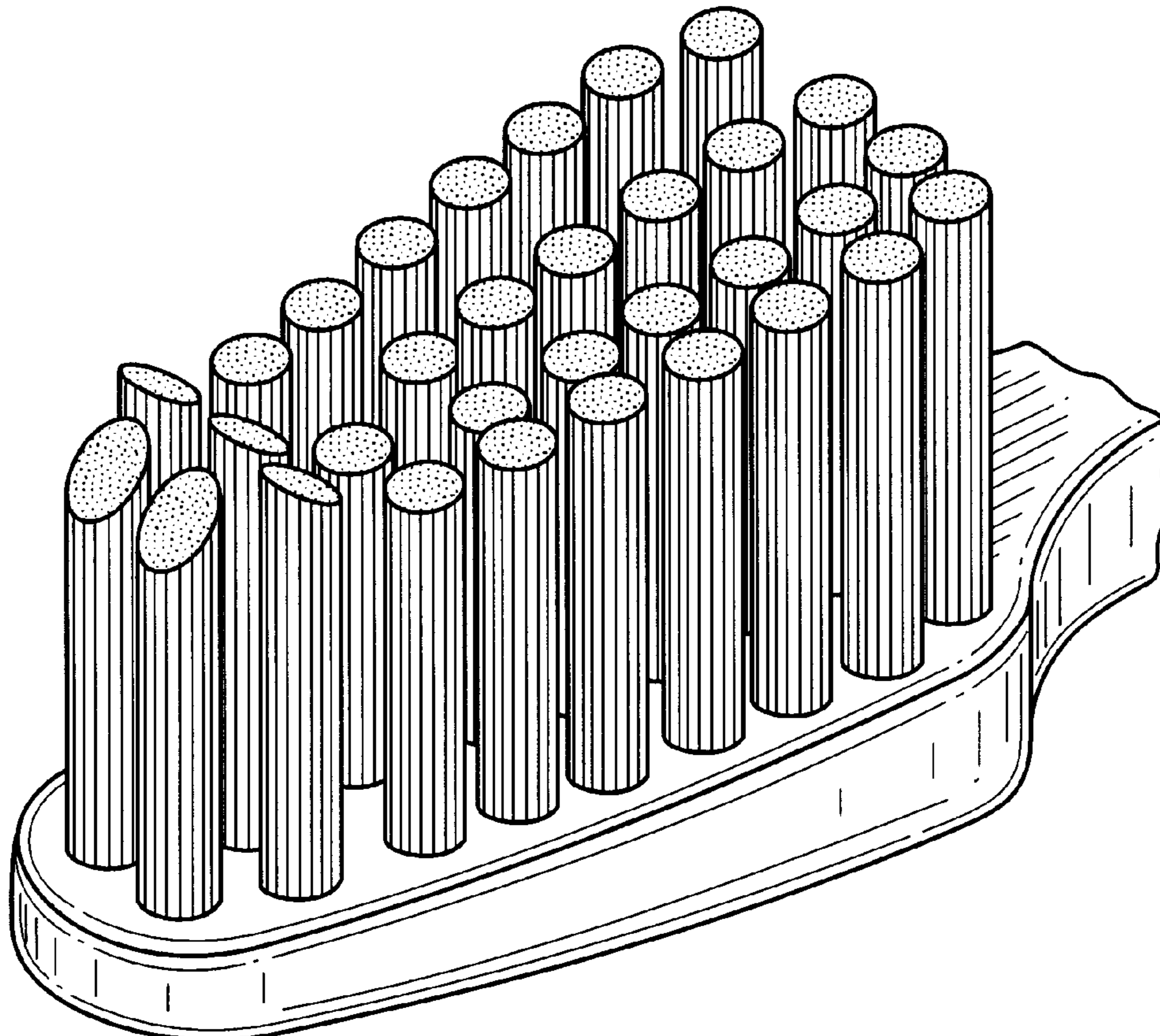
FIG. 7 shows a toothbrush comprising the bristle head of our new design, the handle of the toothbrush being shown in dotted line and forming no part of the claimed design.

### [56] References Cited

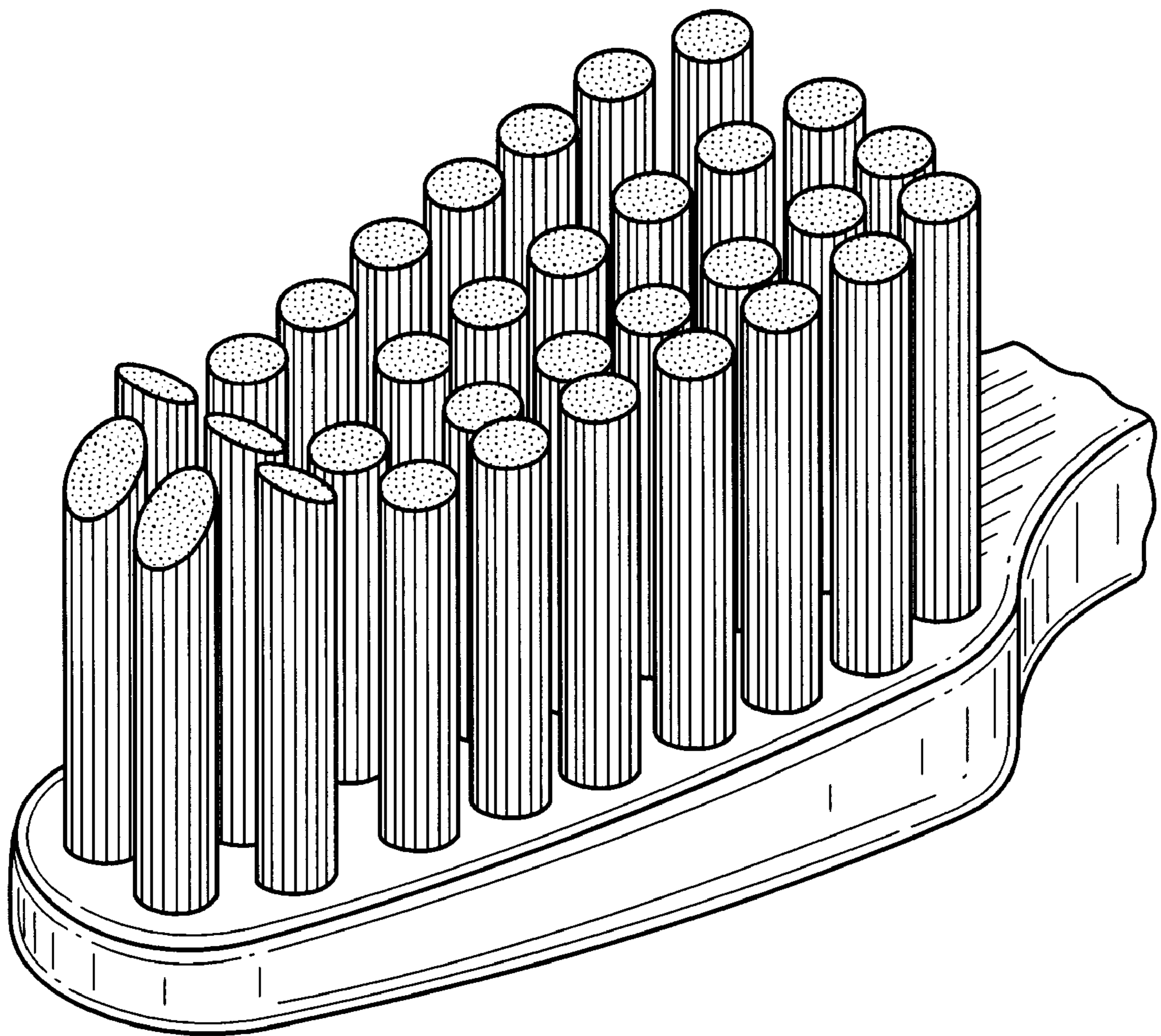
#### U.S. PATENT DOCUMENTS

D. 272,682	2/1984	Stocchi	.....	D4/27
D. 279,838	7/1985	Hjelle	.....	D4/104
D. 331,320	12/1992	Kreisher et al.	.....	D4/104
D. 334,473	4/1993	Volpenhein et al.	.....	

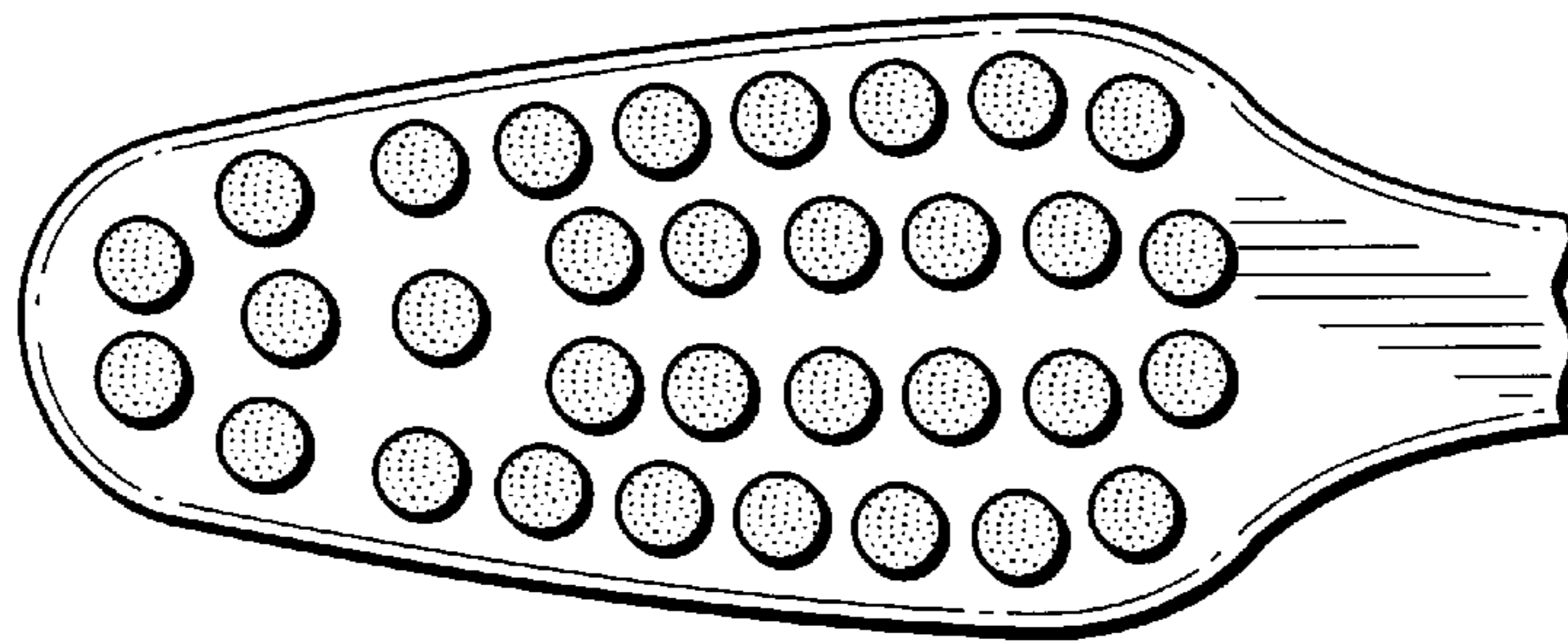
**1 Claim, 4 Drawing Sheets**



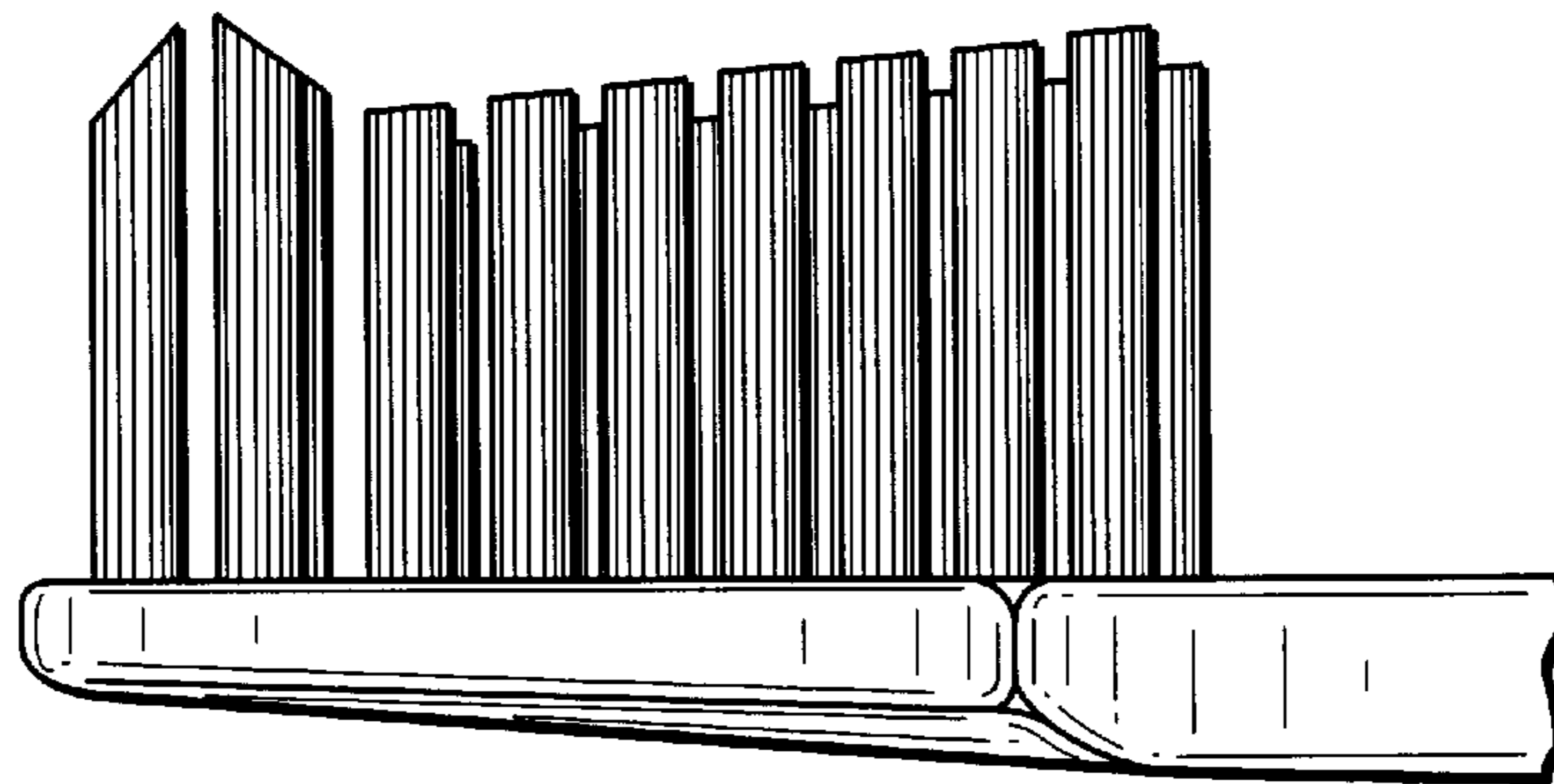
**FIG. 1**



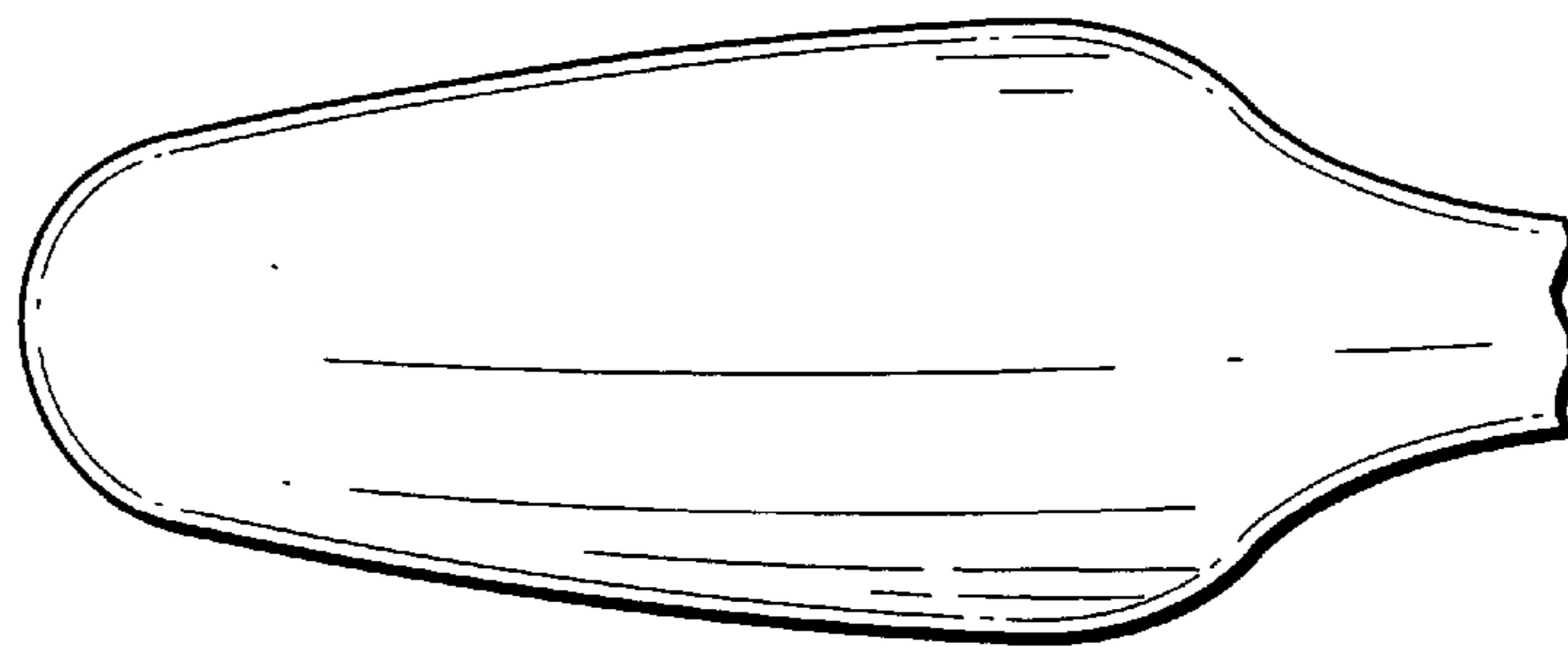
**FIG. 2**



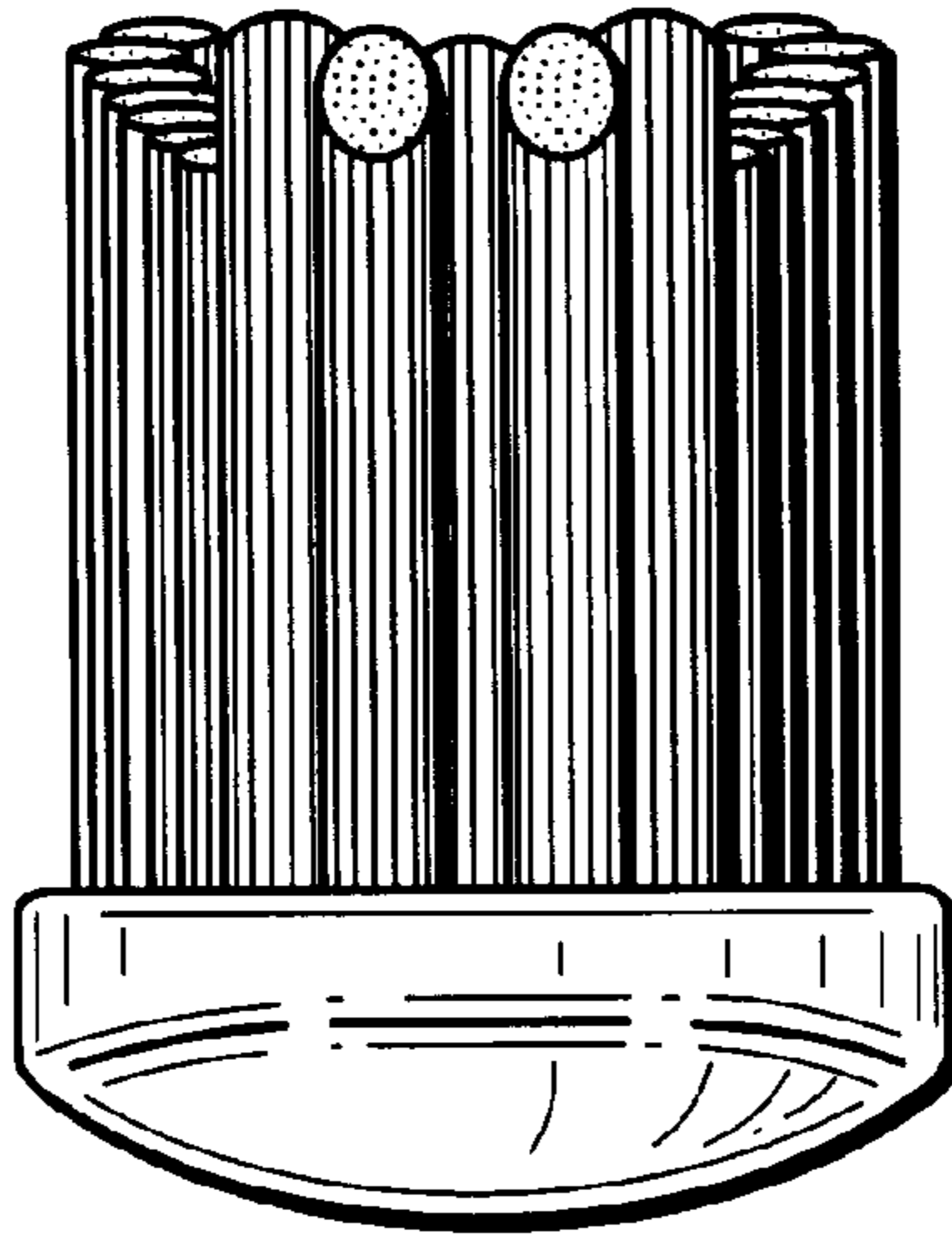
**FIG. 3**



**FIG. 4**



**FIG. 5**



**FIG. 6**

