



US00D414338S

United States Patent [19]

[11] Patent Number: Des. 414,338

Kennedy et al.

[45] Date of Patent: ** Sep. 28, 1999

[54] **LOW PROFILE GOLF BAG STAND ASSEMBLY**

[75] Inventors: **Colin Kennedy; Chloe Helen Sundara**, both of Mill Valley; **Eric Penman Bogner; Bruce Anthony Janis**, both of San Francisco, all of Calif.

[73] Assignee: **Sundara Industries, Ltd.**, San Francisco, Calif.

[**] Term: **14 Years**

[21] Appl. No.: **29/076,388**

[22] Filed: **Sep. 8, 1997**

[51] **LOC (6) Cl.** **03-99**

[52] **U.S. Cl.** **D3/328**

[58] **Field of Search** 248/163.1, 96; D3/255, 259, 319-321; D16/244, 245

[56] **References Cited**

U.S. PATENT DOCUMENTS

Re. 35,684	12/1997	Maeng	248/96
2,236,053	3/1941	Caron	280/53
2,324,439	7/1943	Thommen	248/96
2,572,408	10/1951	Hoek	280/36
2,663,528	12/1953	Hadley	248/96
2,784,005	3/1957	Abgarian	280/41
4,226,389	10/1980	Neth	248/96
4,302,029	11/1981	Albertson	280/646
4,681,341	7/1987	Lai	280/646
4,921,192	5/1990	Jones	248/96
5,036,974	8/1991	Ross, Jr.	206/315.7
5,074,576	12/1991	Finlay	280/645
5,147,089	9/1992	Anderson	248/96
5,156,366	10/1992	Anderson	248/96
5,209,350	5/1993	Maeng	206/315.7
5,236,085	8/1993	Quellias	206/315.7
5,339,951	8/1994	Chen	206/315.7
5,340,063	8/1994	Hsieh	248/96
5,351,921	10/1994	Chen	248/96
5,356,003	10/1994	Gretz et al.	248/96
5,407,155	4/1995	Chung	248/96
5,415,285	5/1995	Reimers	248/96
5,464,180	11/1995	Cheng	248/96

5,516,064	5/1996	Hsieh	248/96
5,597,144	1/1997	Lee	248/96
5,634,616	6/1997	Wang et al.	248/96
5,662,296	9/1997	Wu	248/96
5,673,879	10/1997	Hsieh	248/96
5,681,016	10/1997	Wang	248/96
5,762,189	6/1998	Reimers	206/315.7
5,823,485	10/1998	Park	248/96
5,829,719	11/1998	Han	248/96
5,857,567	1/1999	Cheng	248/96
5,860,521	1/1999	Wu	248/96

FOREIGN PATENT DOCUMENTS

1200909	12/1959	France	.
483754	4/1938	United Kingdom	.
618996	4/1949	United Kingdom	.
2278290	4/1994	United Kingdom	.

Primary Examiner—Louis S. Zarfaz
Assistant Examiner—Robert Delehanty
Attorney, Agent, or Firm—Blakely, Sokoloff, Taylor & Zafman LLP

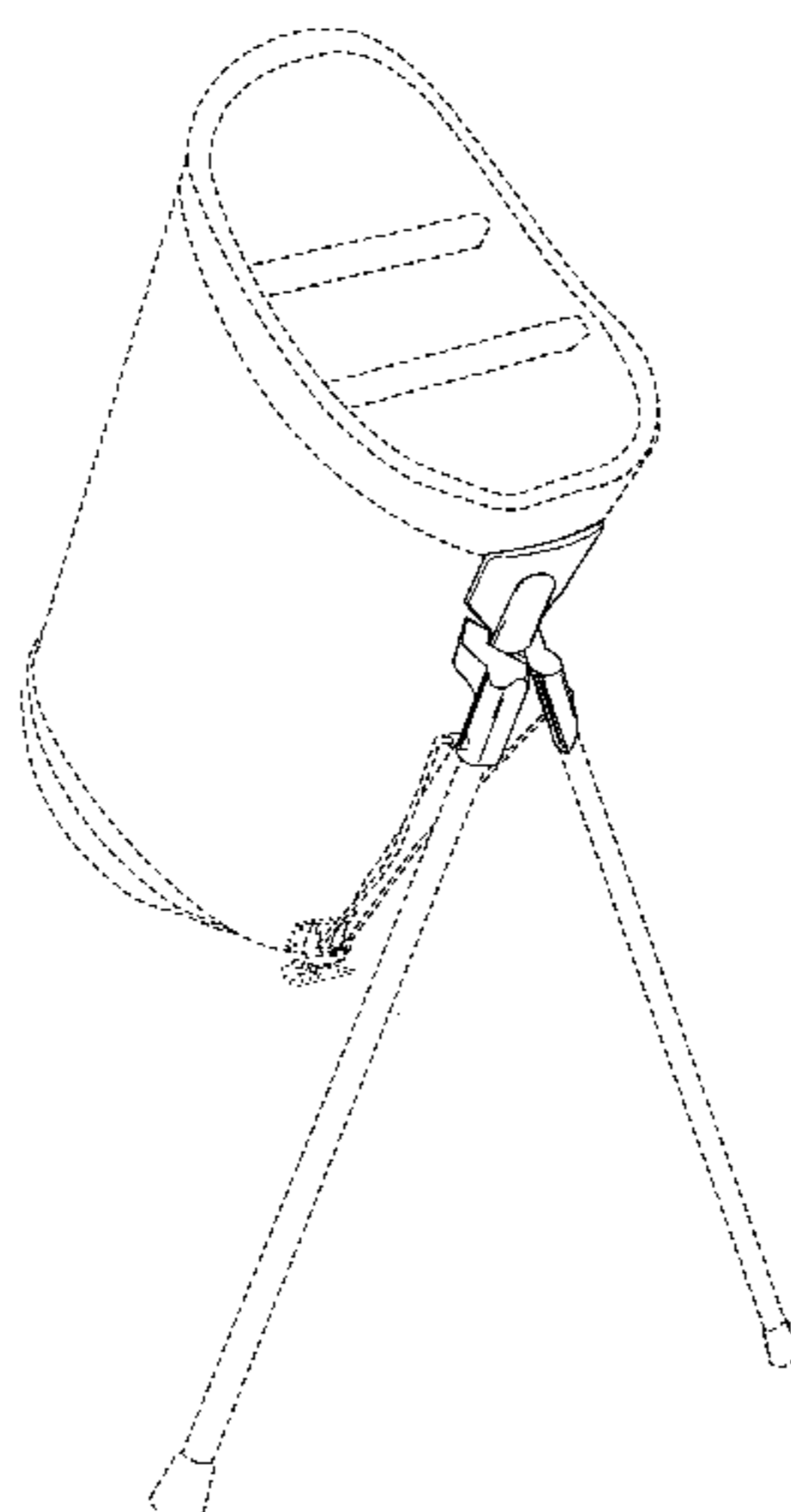
[57] **CLAIM**

The ornamental design for a low profile golf bag stand assembly, as shown and described.

DESCRIPTION

FIG. 1 is a front elevation view of a low profile golf bag stand assembly shown in a retracted position; FIG. 2 is an enlarged front elevation view thereof; FIG. 3 is a top perspective view thereof; FIG. 4 is an enlarged top perspective view thereof; FIG. 5 is a side elevation view thereof; FIG. 6 is an enlarged side elevation view thereof; FIG. 7 is an enlarged top plan view thereof; FIG. 8 is a front elevation view thereof in an extended position; FIG. 9 is an enlarged front elevation view of FIG. 8; FIG. 10 is a top perspective view of FIG. 8; FIG. 11 is an enlarged top perspective view of FIG. 8; FIG. 12 is a side elevation view of FIG. 8; FIG. 13 is an enlarged side elevation view of FIG. 8; and, FIG. 14 is an enlarged top view of FIG. 8.

1 Claim, 14 Drawing Sheets



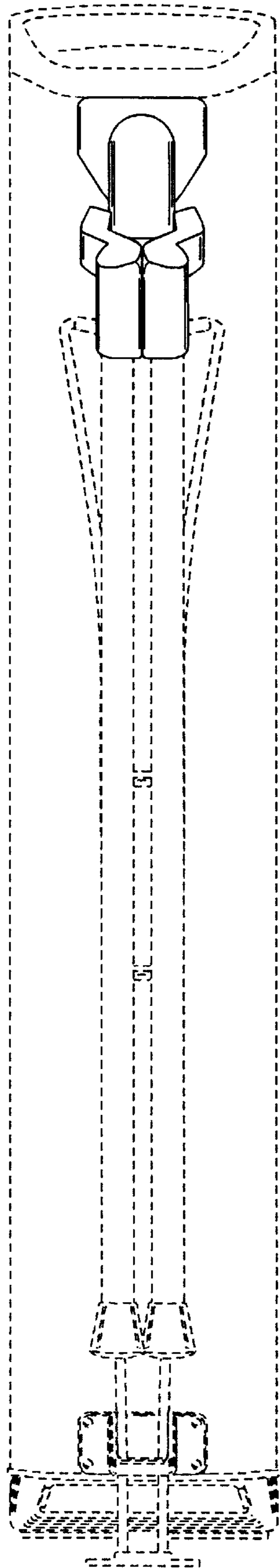


Fig. 1

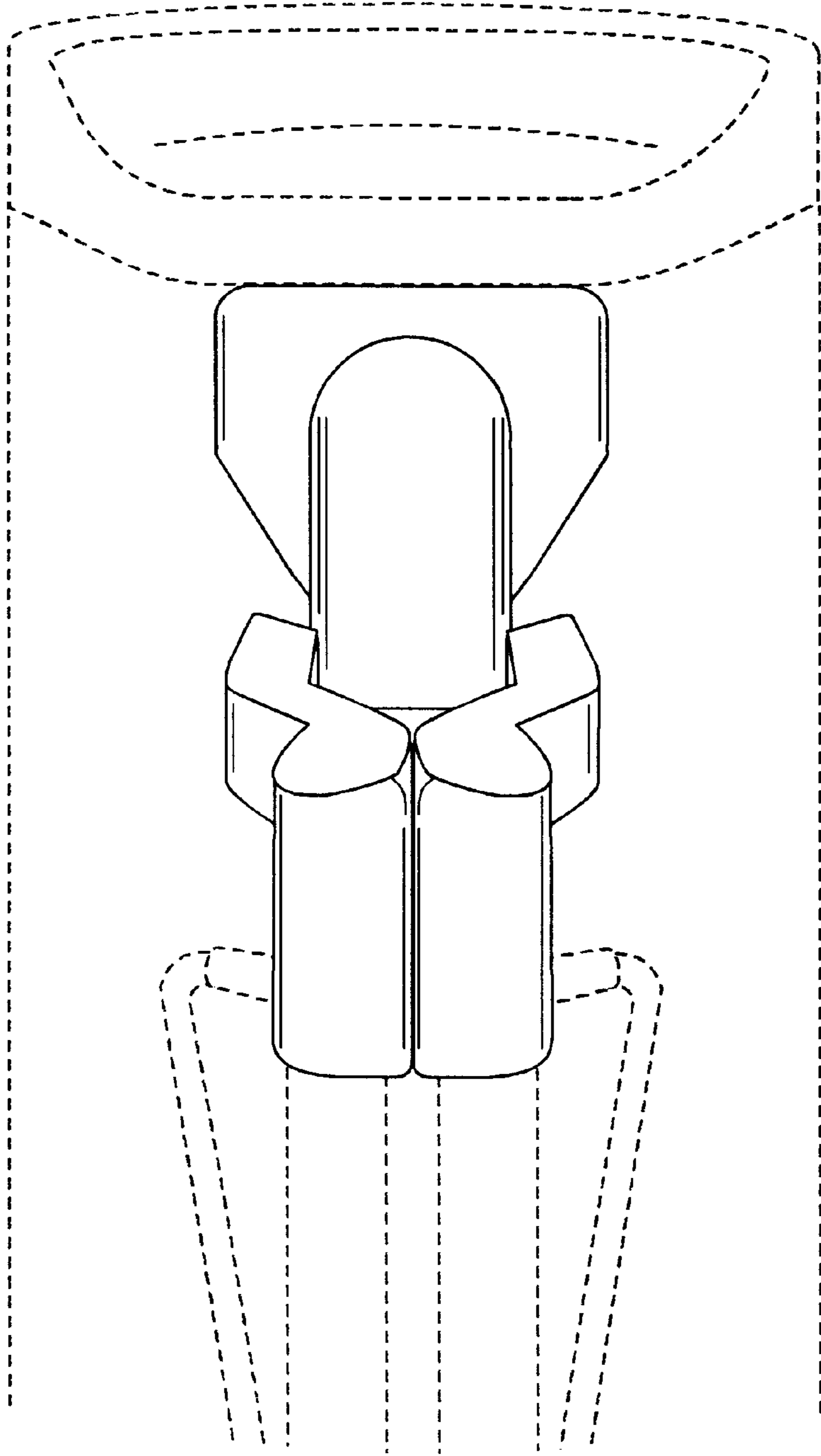


Fig. 2

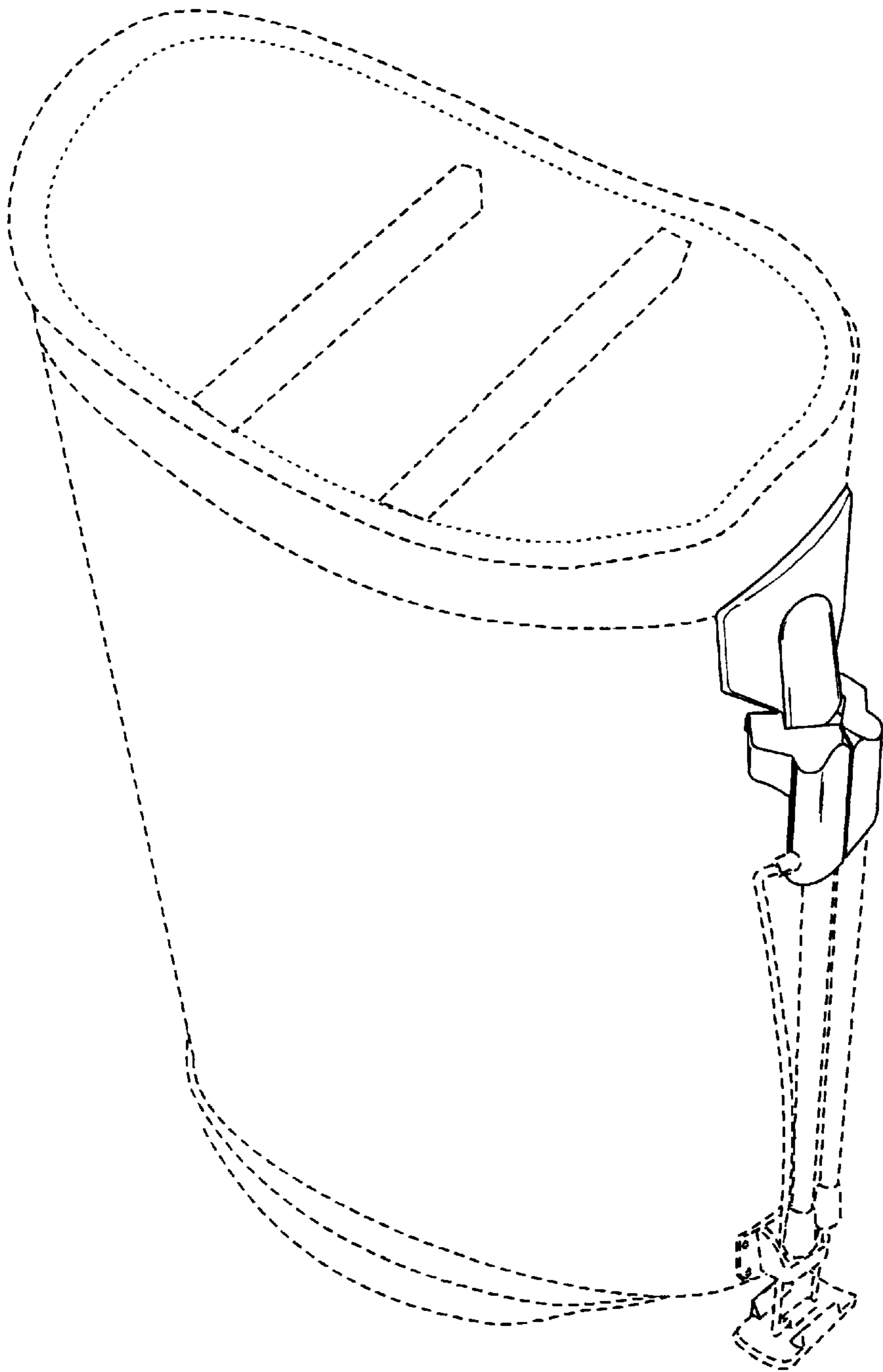


Fig. 3

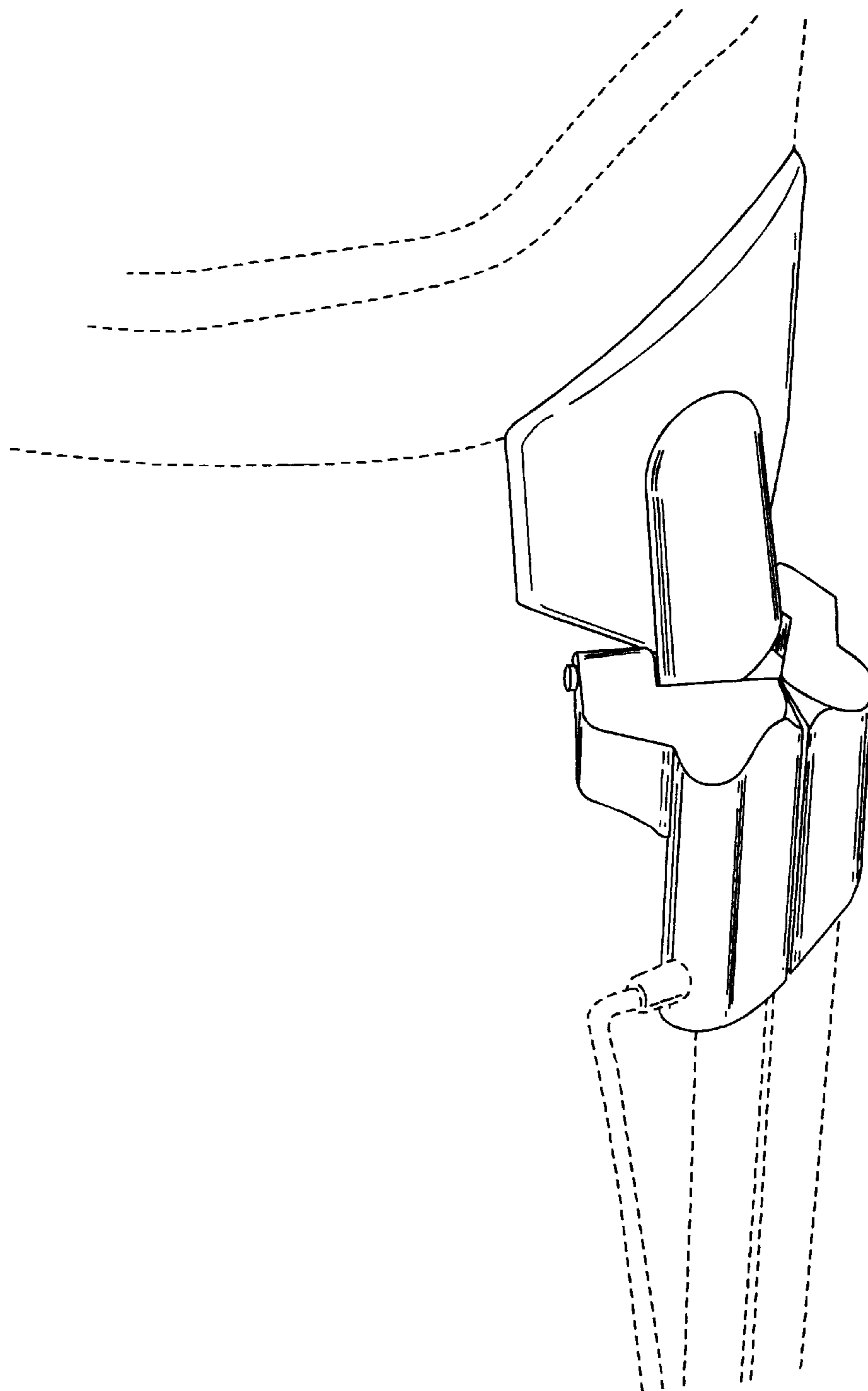


Fig. 4

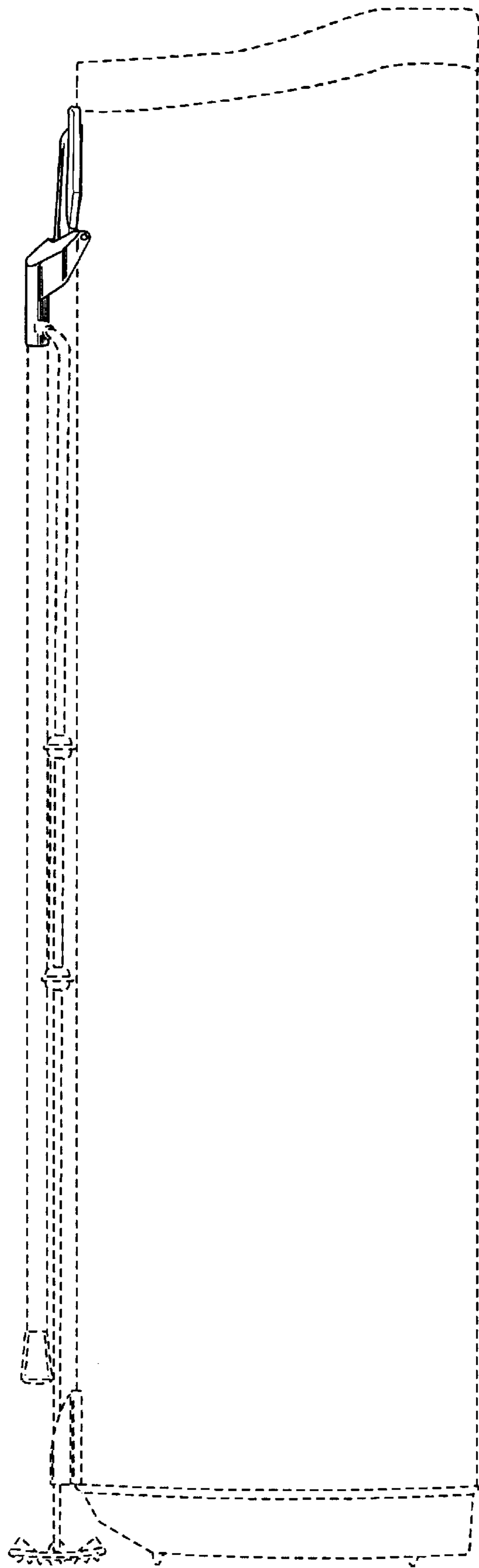


Fig. 5

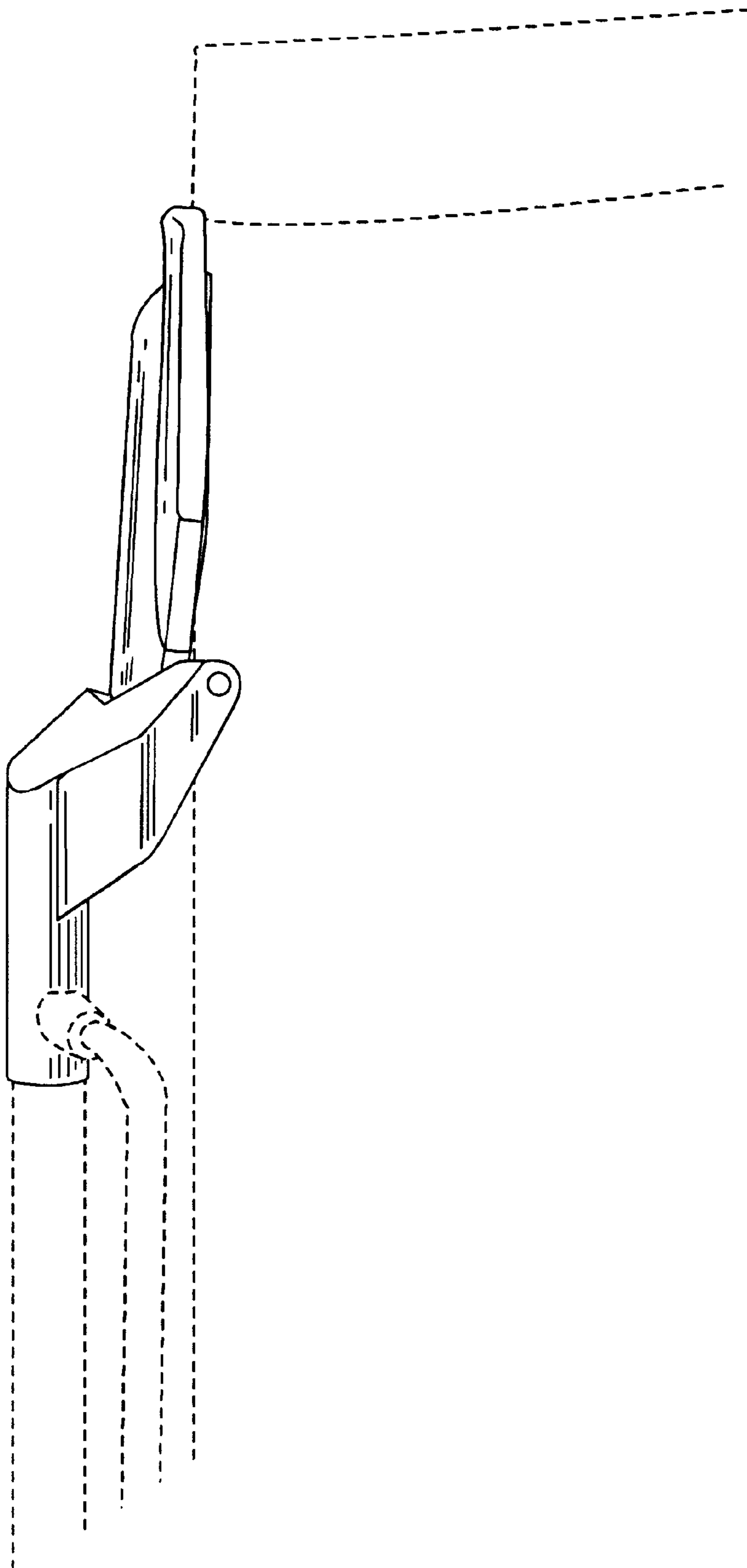


Fig. 6

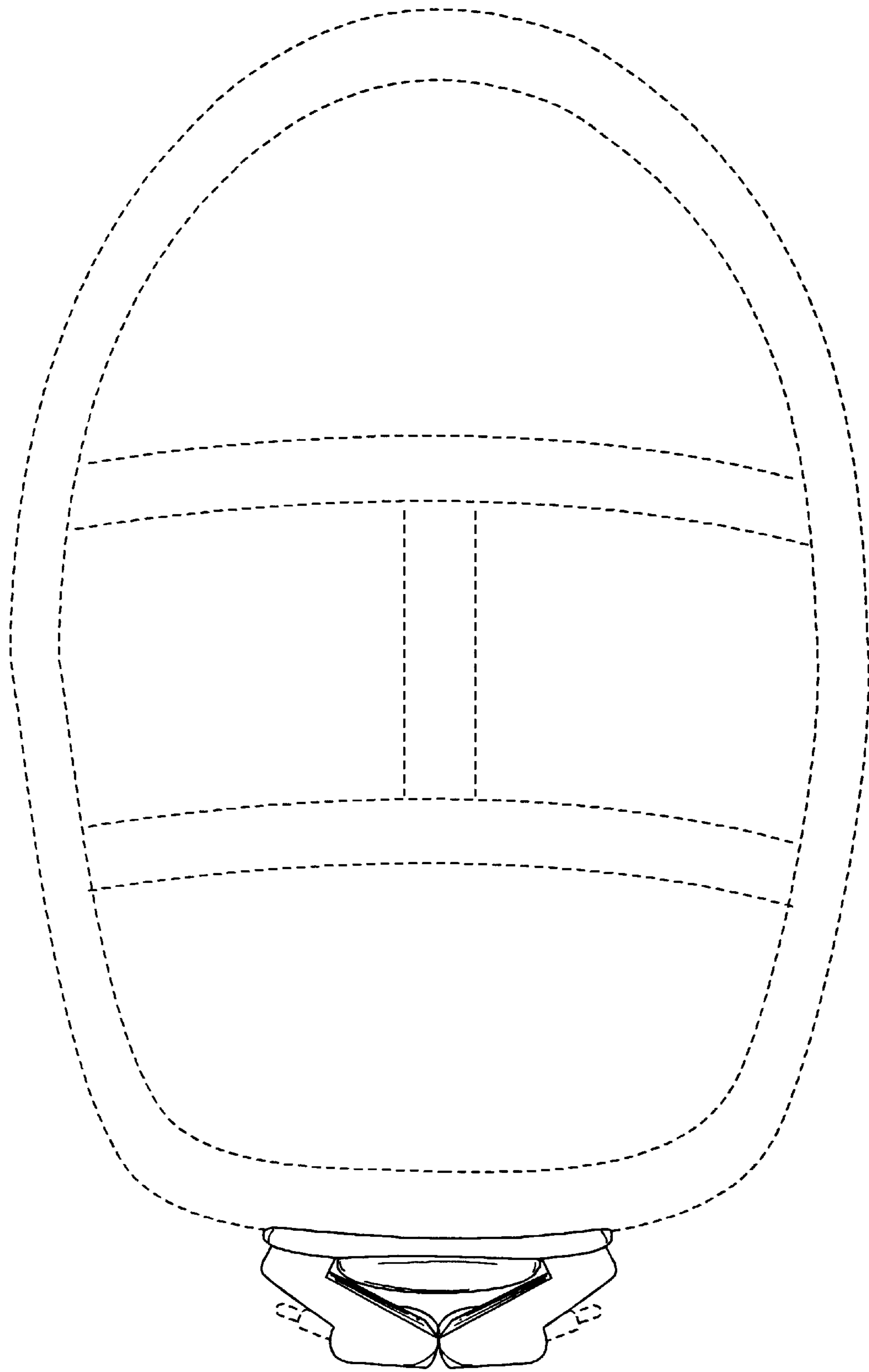


Fig. 7

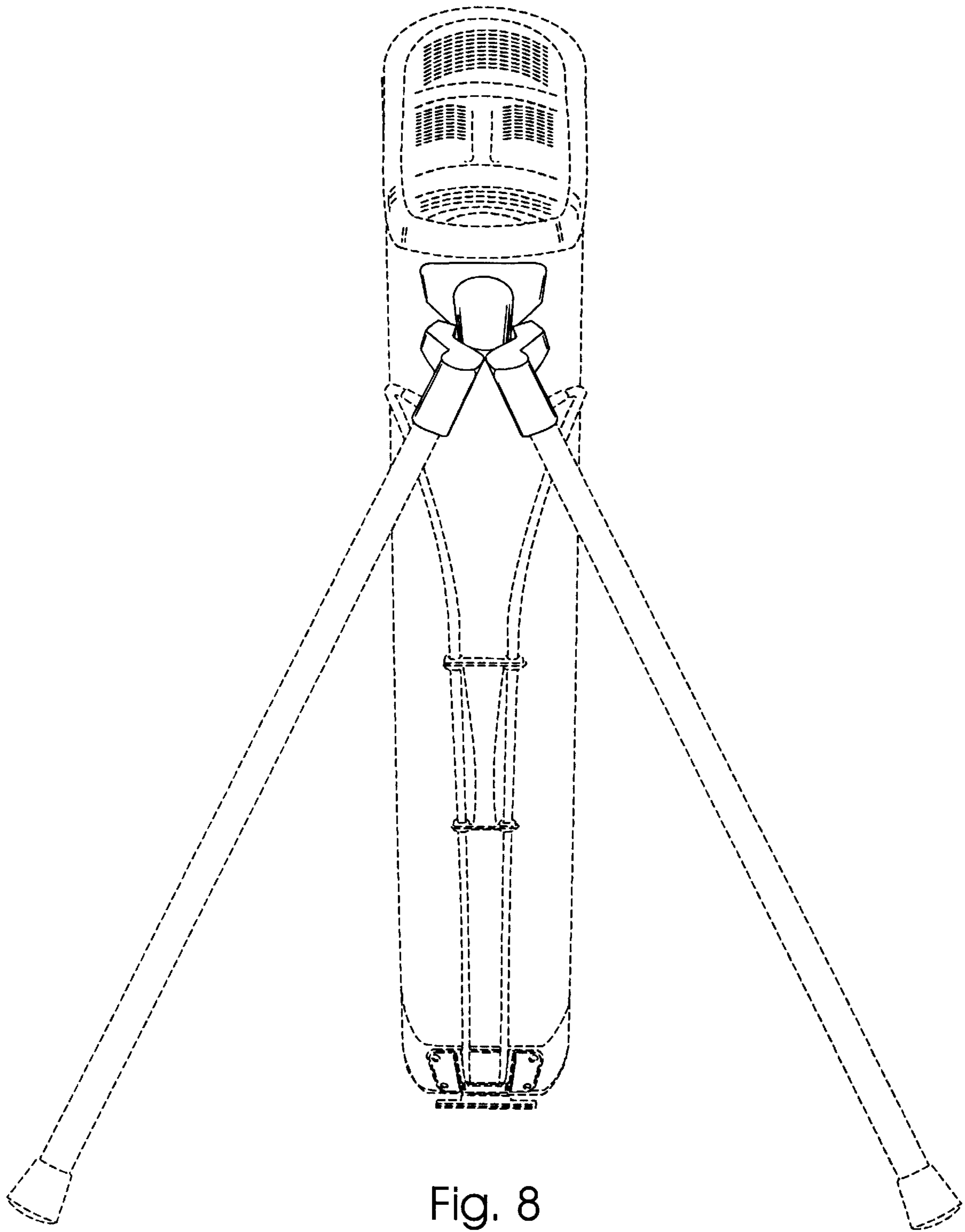


Fig. 8

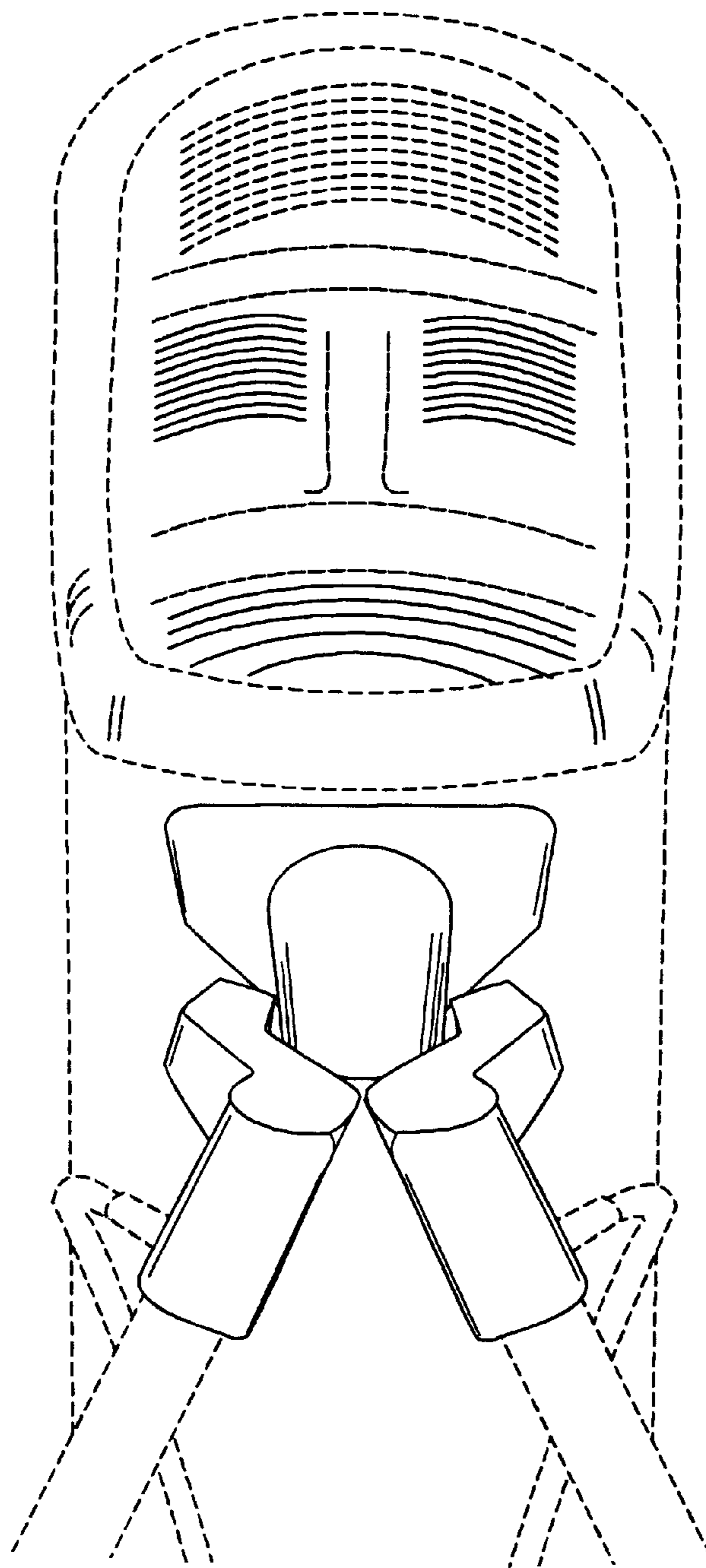


Fig. 9

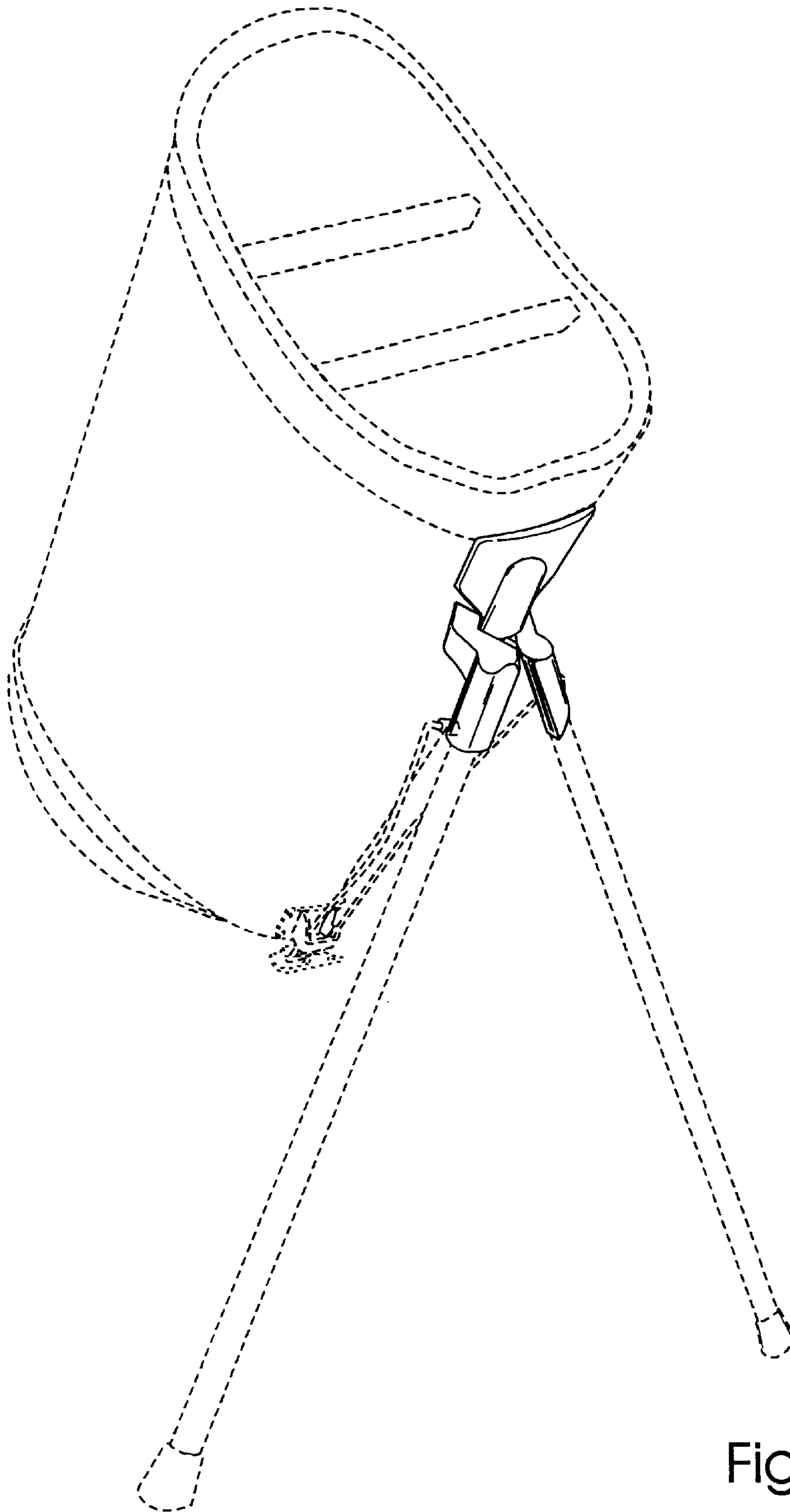


Fig. 10

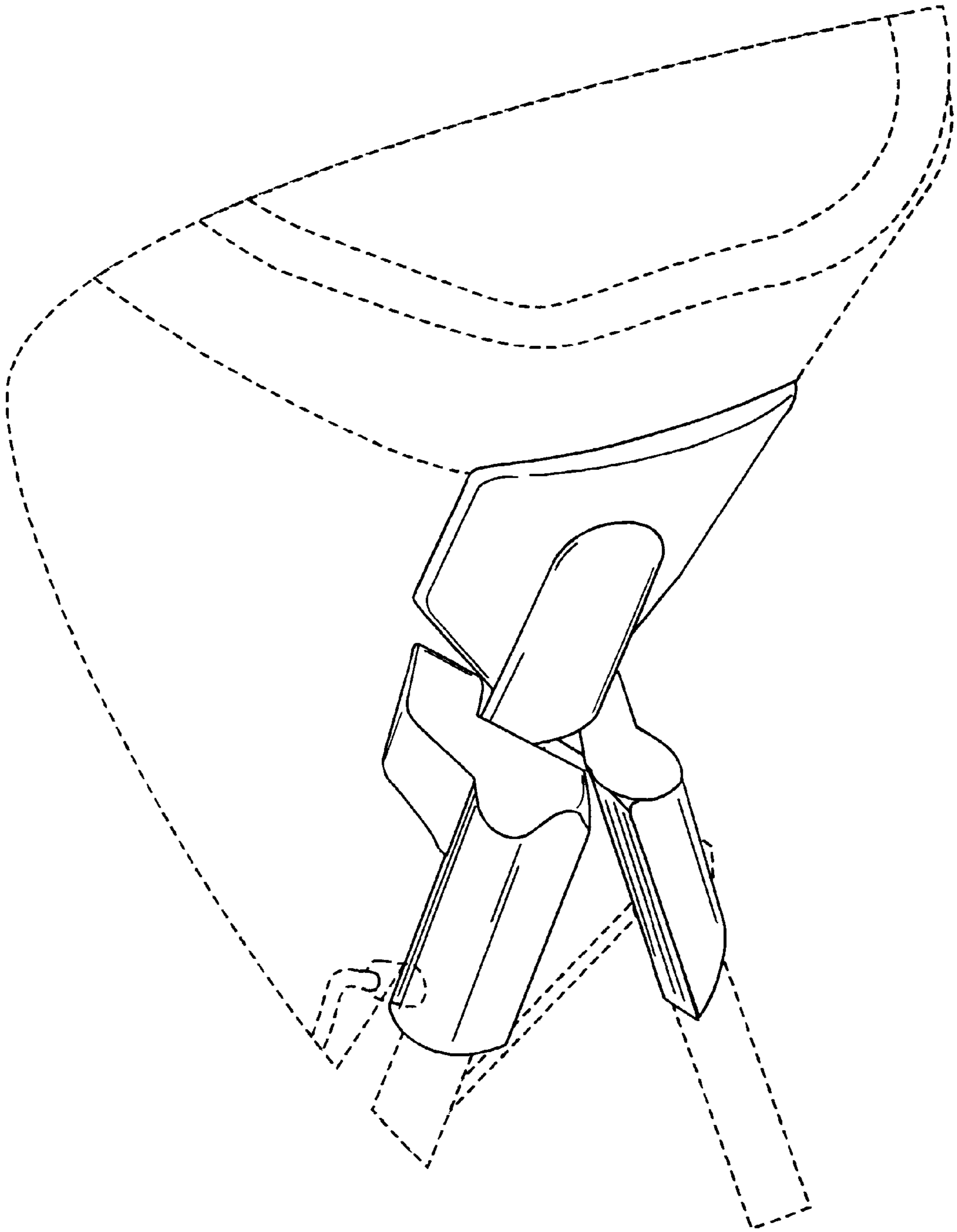


Fig. 11

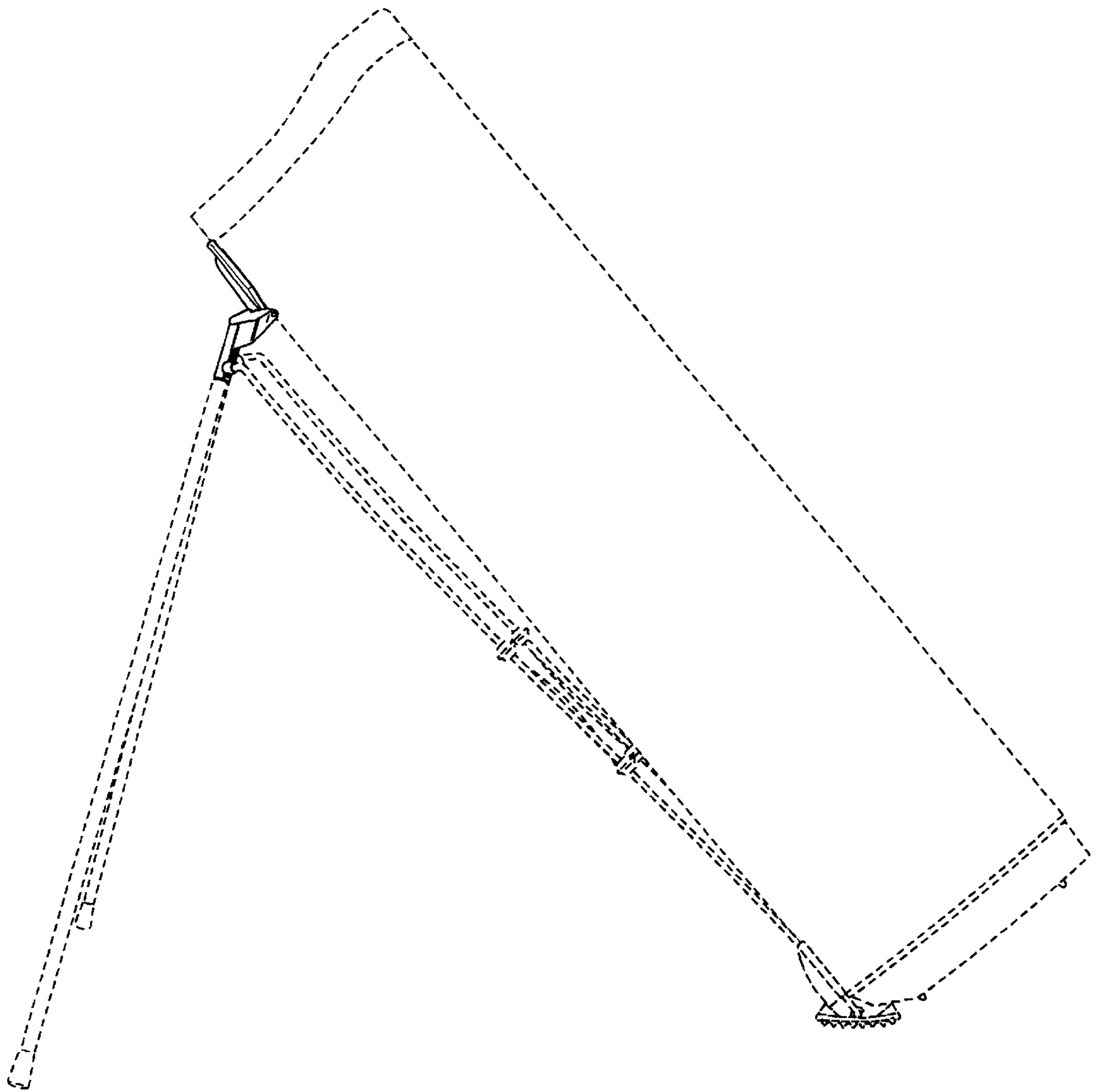


Fig. 12

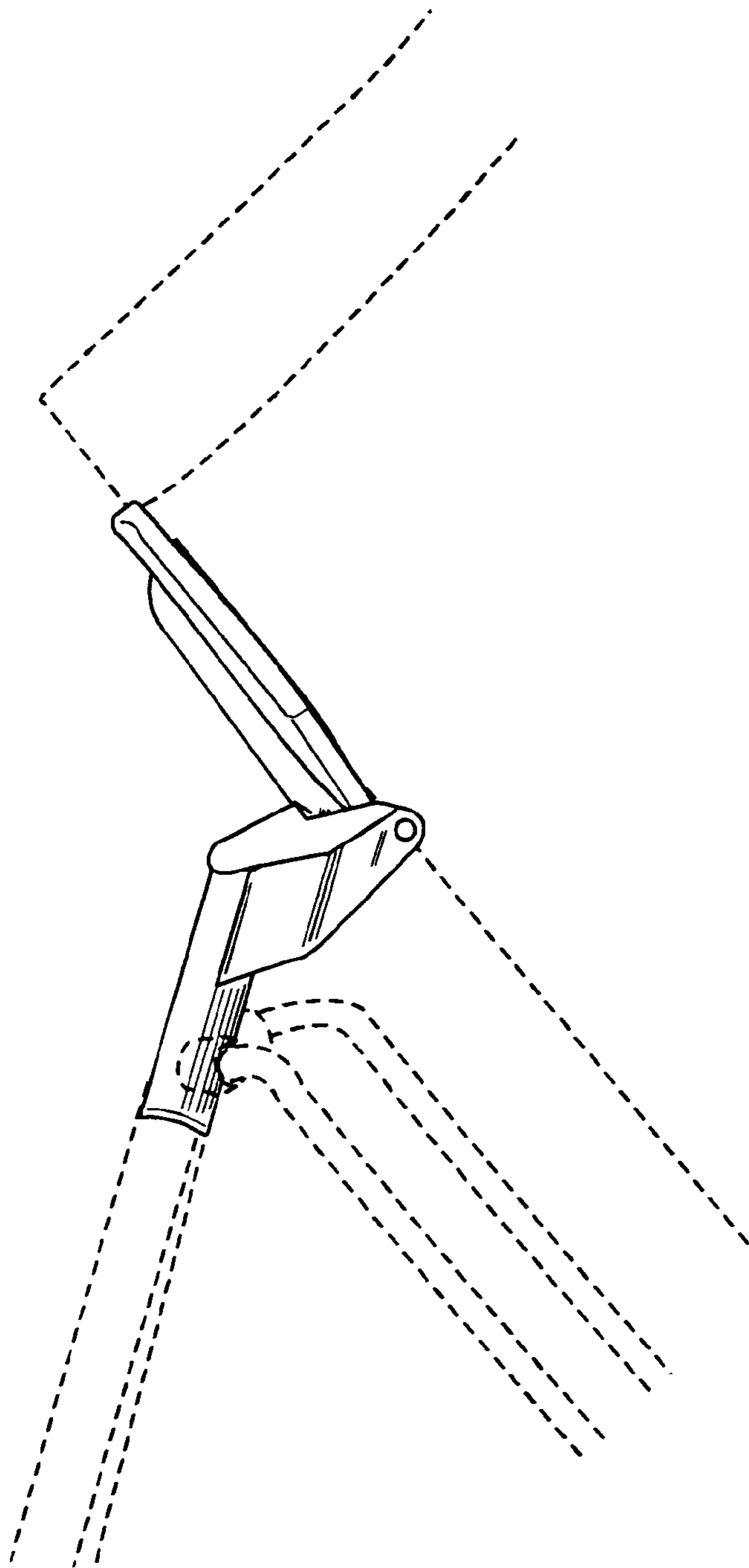


Fig. 13

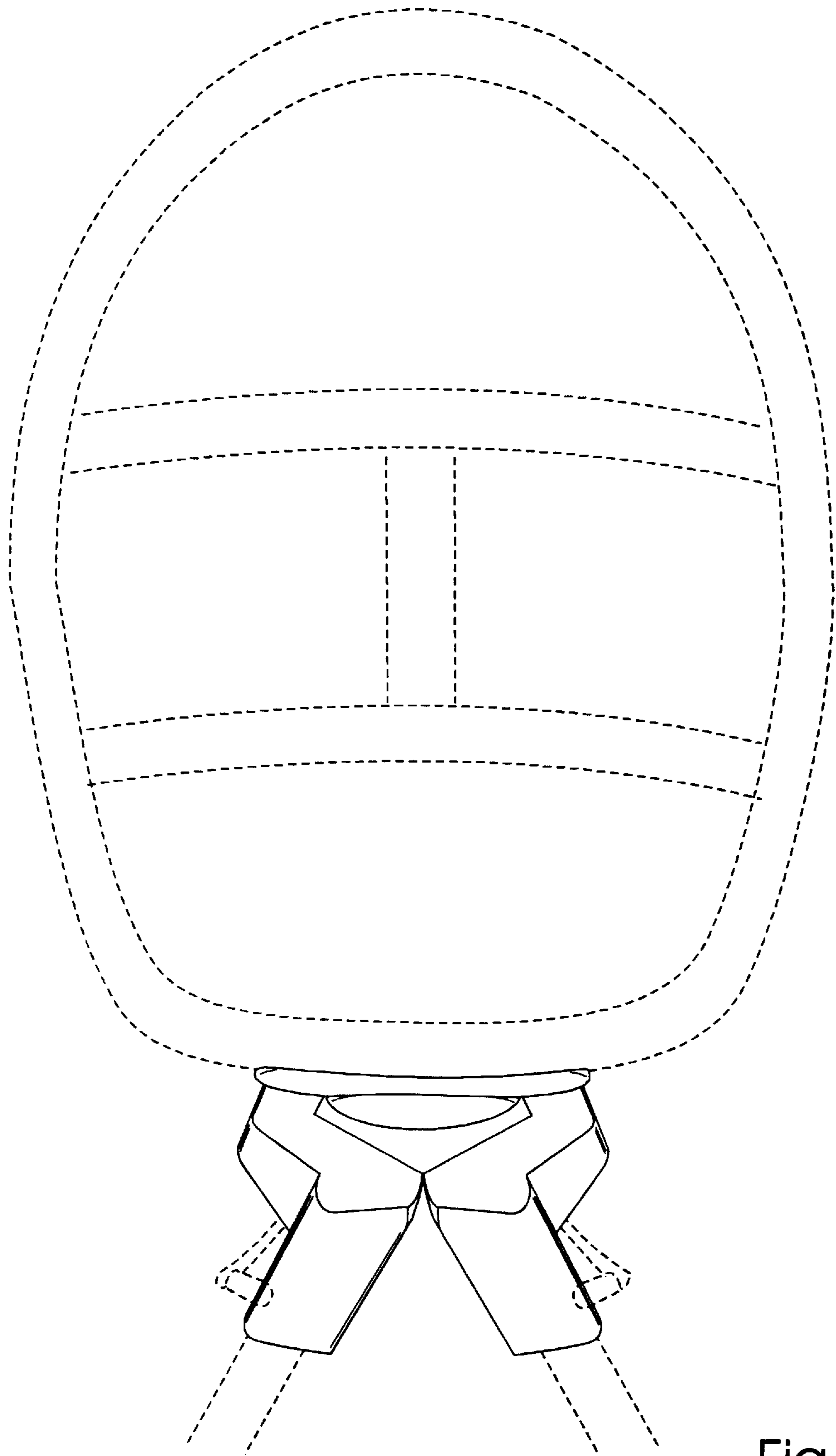


Fig. 14