



US00D414335S

United States Patent [19] Cheyn

[11] **Patent Number: Des. 414,335**

[45] **Date of Patent: ** Sep. 28, 1999**

[54] **FOLDABLE CASING**

[76] Inventor: **Ruey Chyuan Cheyn**, 7F-1, No. 170,
Sec. 1, San Min Road, Taichung,
Taiwan, 406

[**] Term: **14 Years**

[21] Appl. No.: **29/094,753**

[22] Filed: **Oct. 9, 1998**

[51] **LOC (6) Cl.** **03-01**

[52] **U.S. Cl.** **D3/276; D3/273**

[58] **Field of Search** D3/273, 276, 281,
D3/291, 294, 272, 274; 190/107; 220/1.5;
296/37.5

[56] **References Cited**

U.S. PATENT DOCUMENTS

D. 277,042	1/1985	Carter et al.	D3/272
949,204	2/1910	Stiehl	190/107
1,241,844	10/1917	Gottschall	296/37.5

3,311,203	3/1967	Pickard	296/37.5
3,955,703	5/1976	Zebarth	220/508
4,673,087	6/1987	Webb	206/508
4,798,304	1/1989	Rader	220/1.5

Primary Examiner—Philip S. Hyder

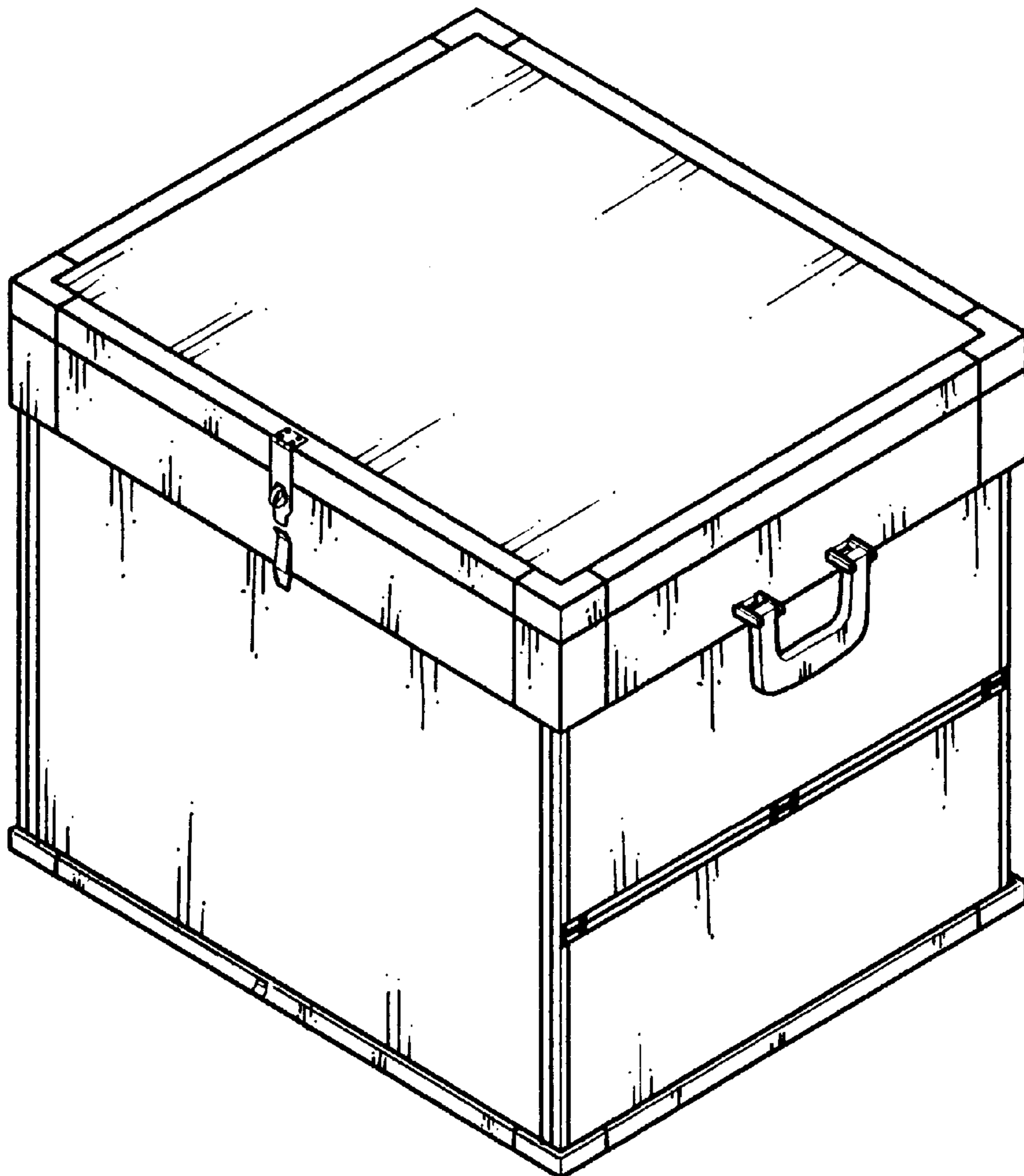
[57] **CLAIM**

The ornamental design for a foldable casing, as shown and described.

DESCRIPTION

FIG. 1 is a perspective view of a foldable casing showing my new design;
FIG. 2 is a front elevational view thereof;
FIG. 3 is a rear elevational view thereof;
FIG. 4 is a top plan view thereof;
FIG. 5 is a bottom plan view thereof;
FIG. 6 is a left side elevational view thereof; and,
FIG. 7 is a right side elevational view thereof.

1 Claim, 4 Drawing Sheets



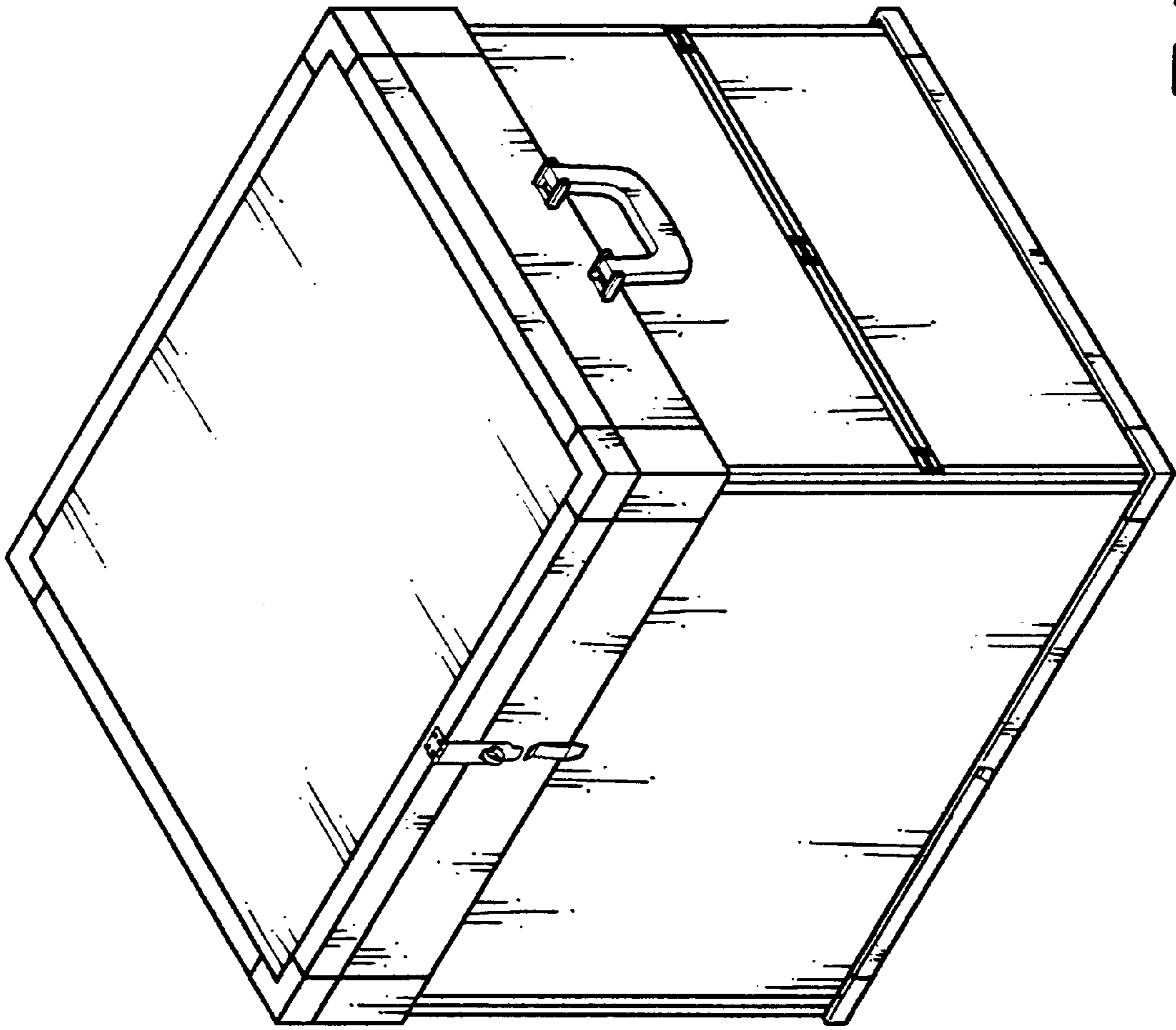


FIG. 1

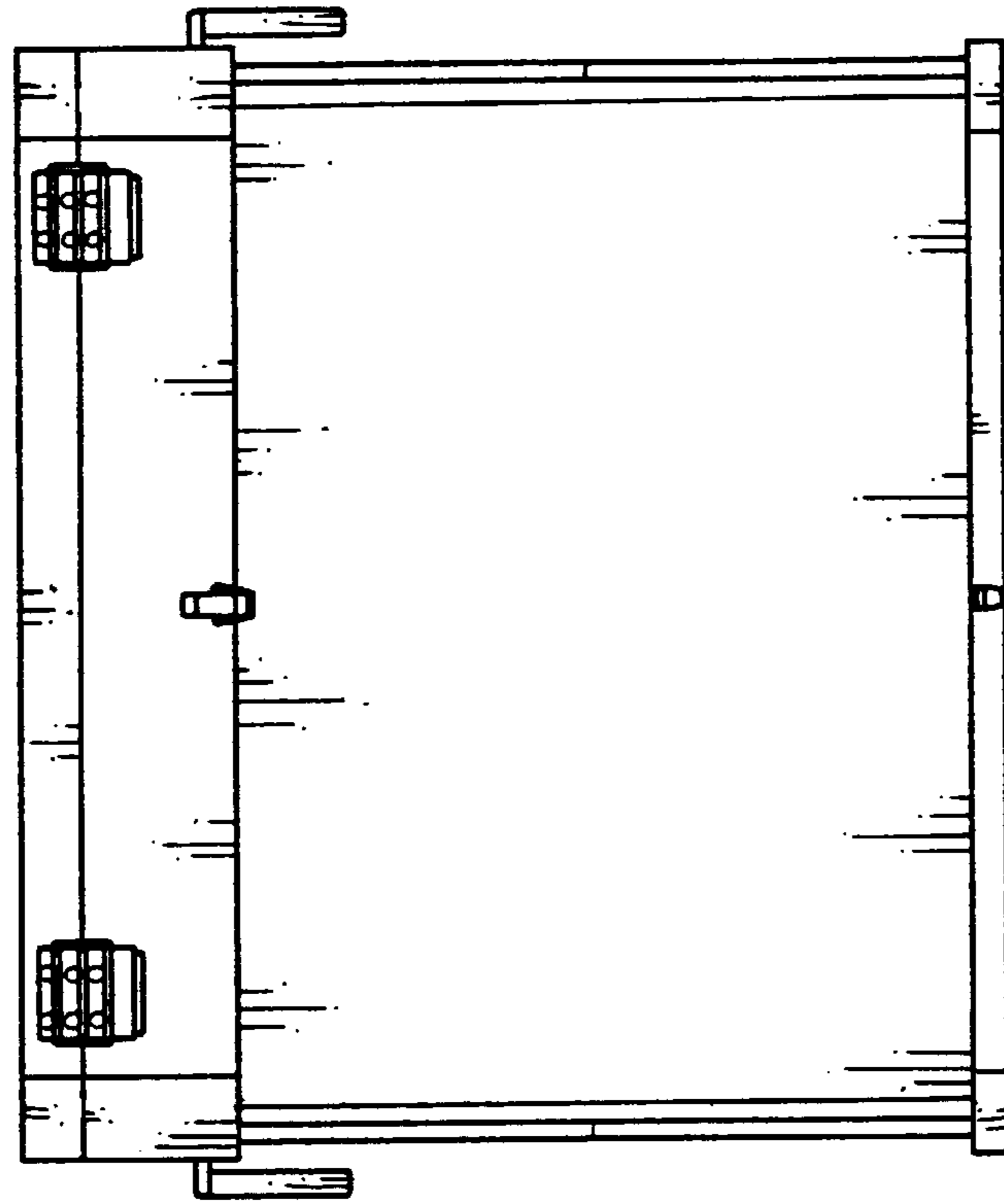


FIG. 3

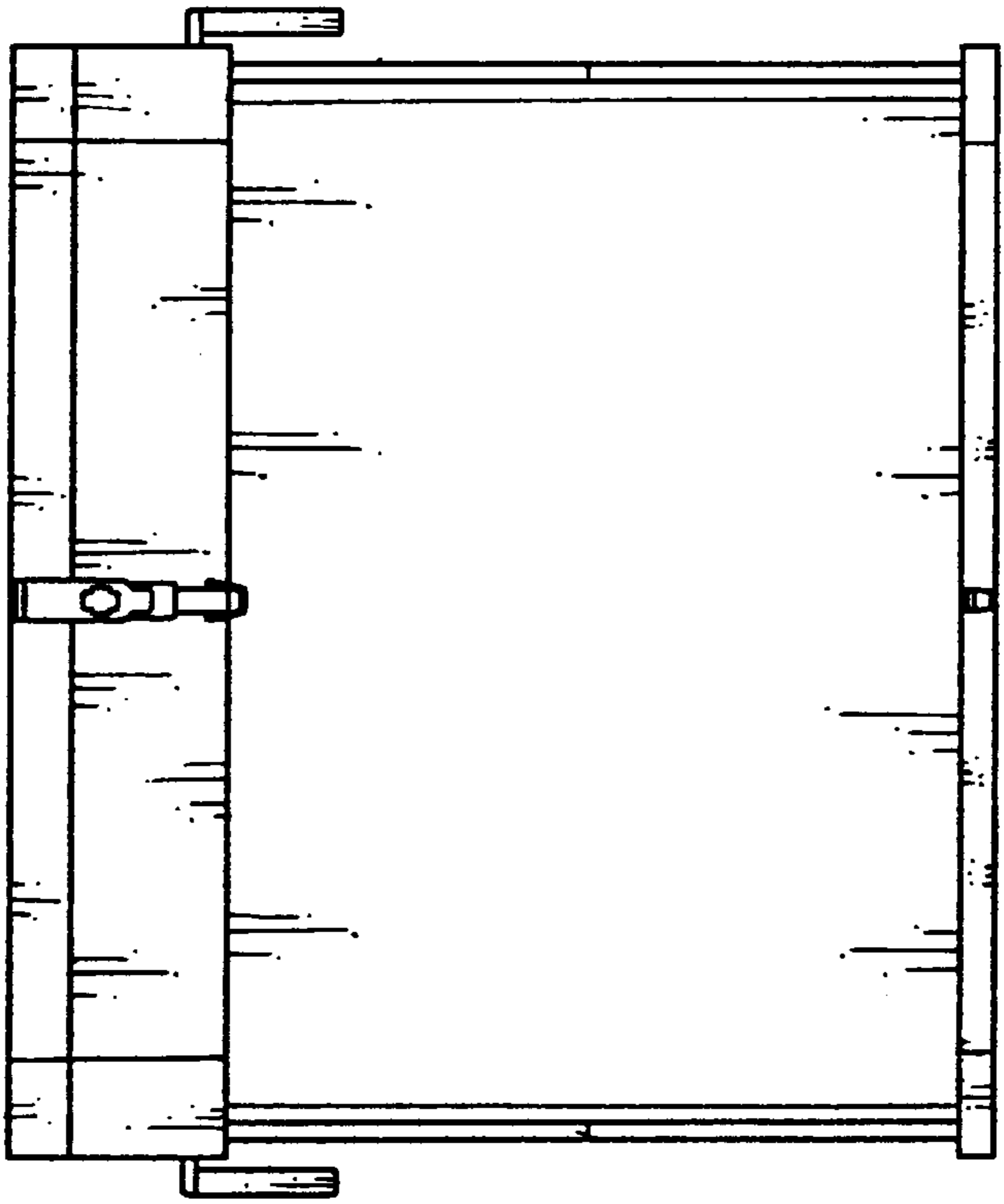


FIG. 2

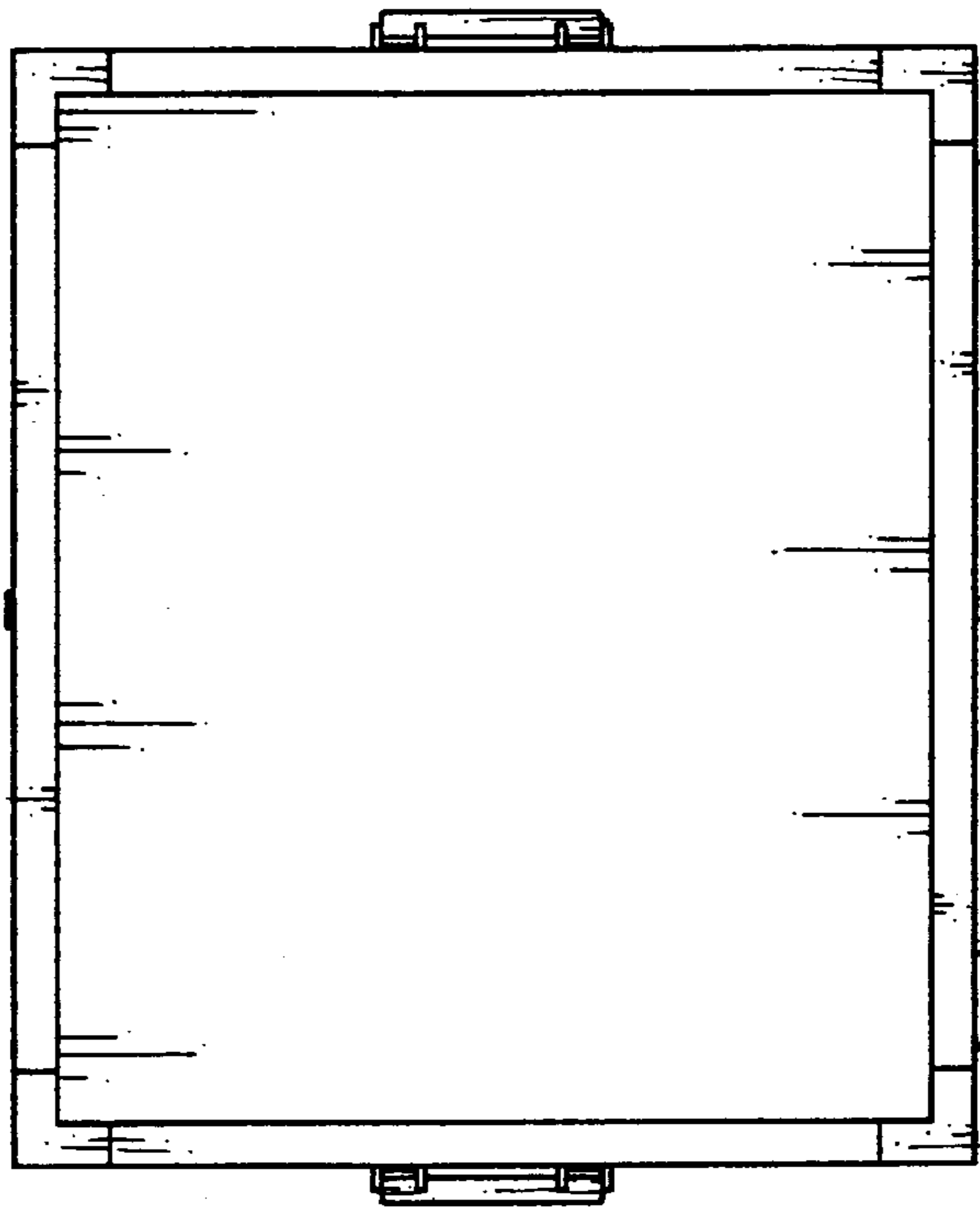


FIG. 4

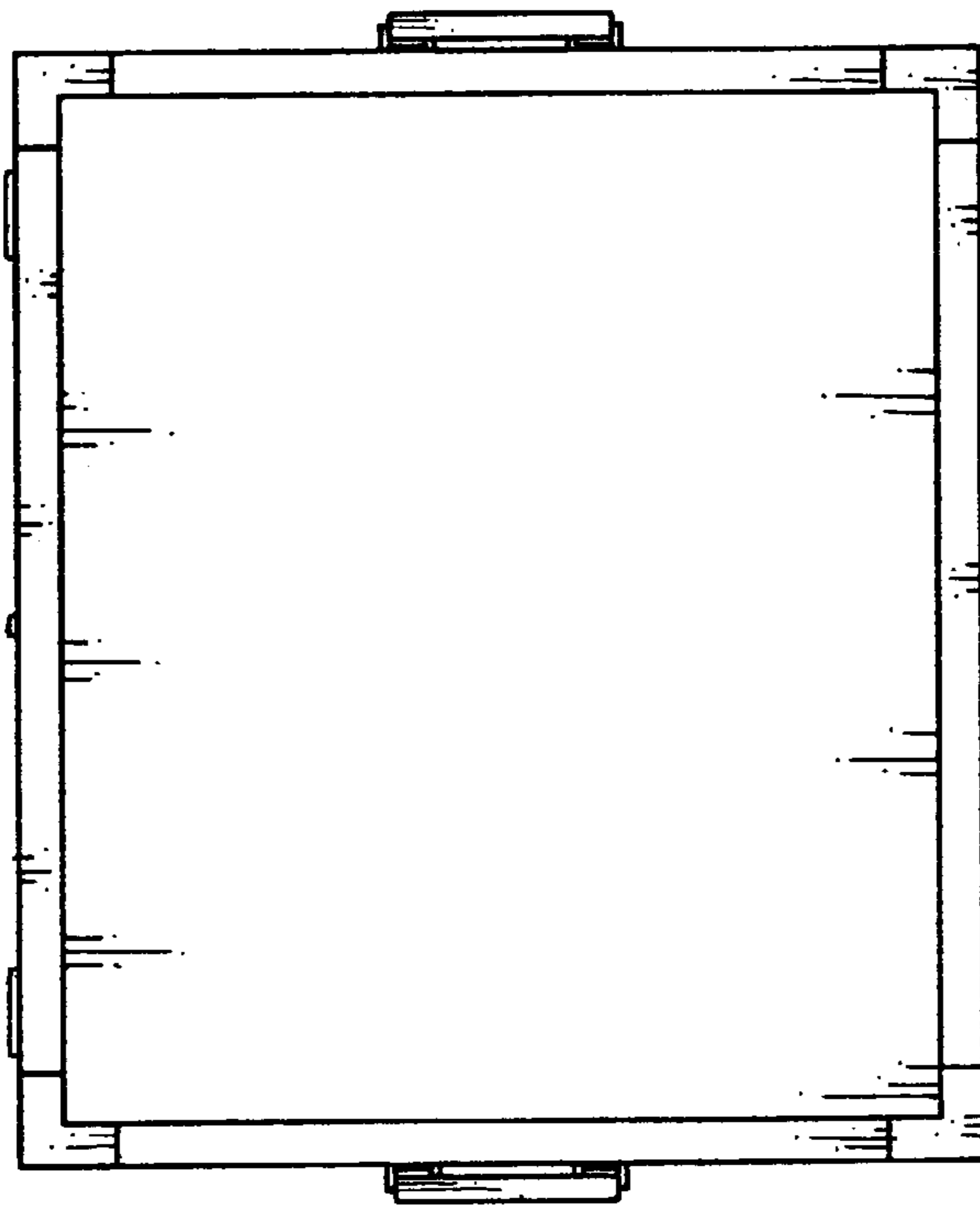


FIG. 5

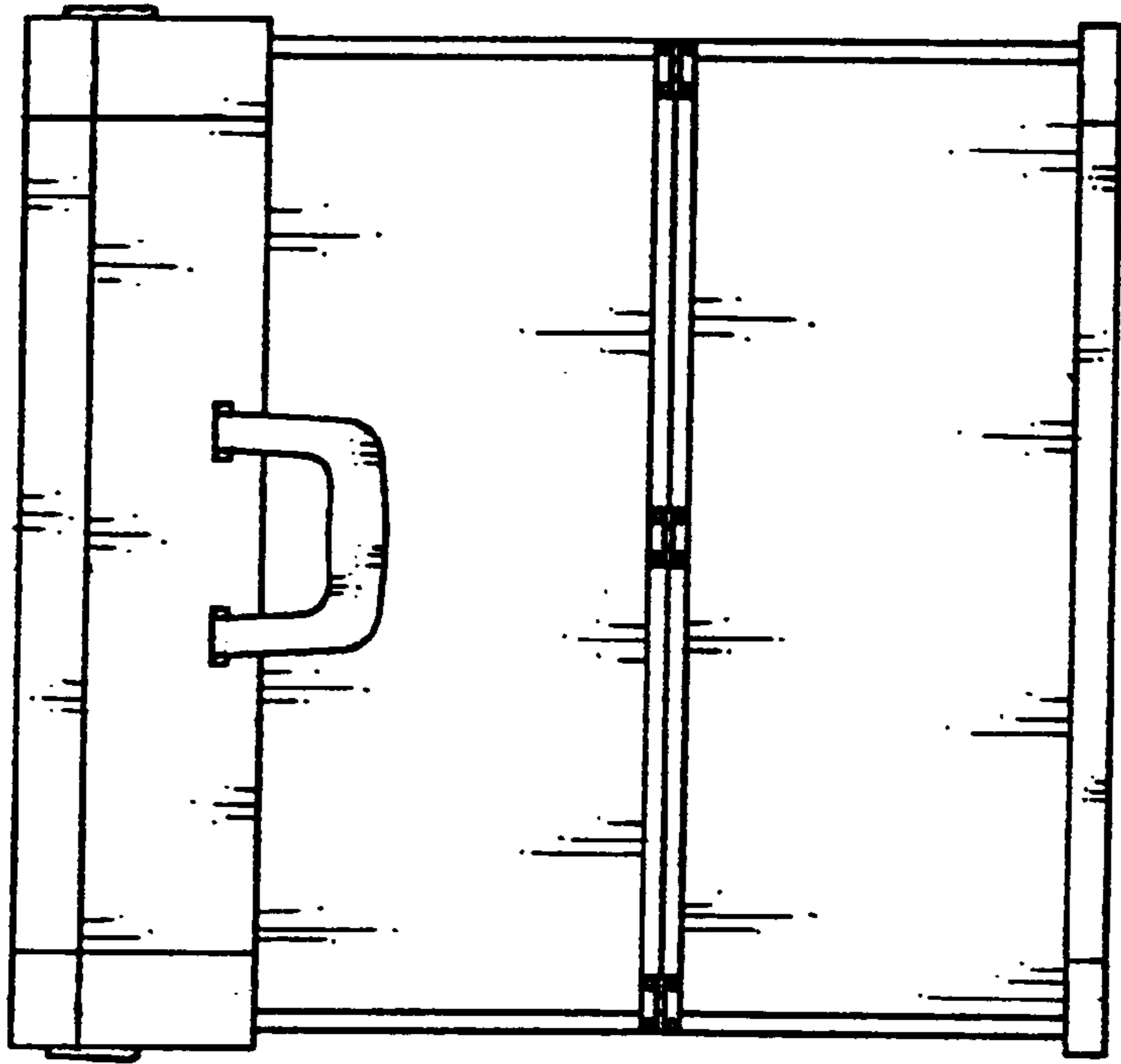


FIG. 6

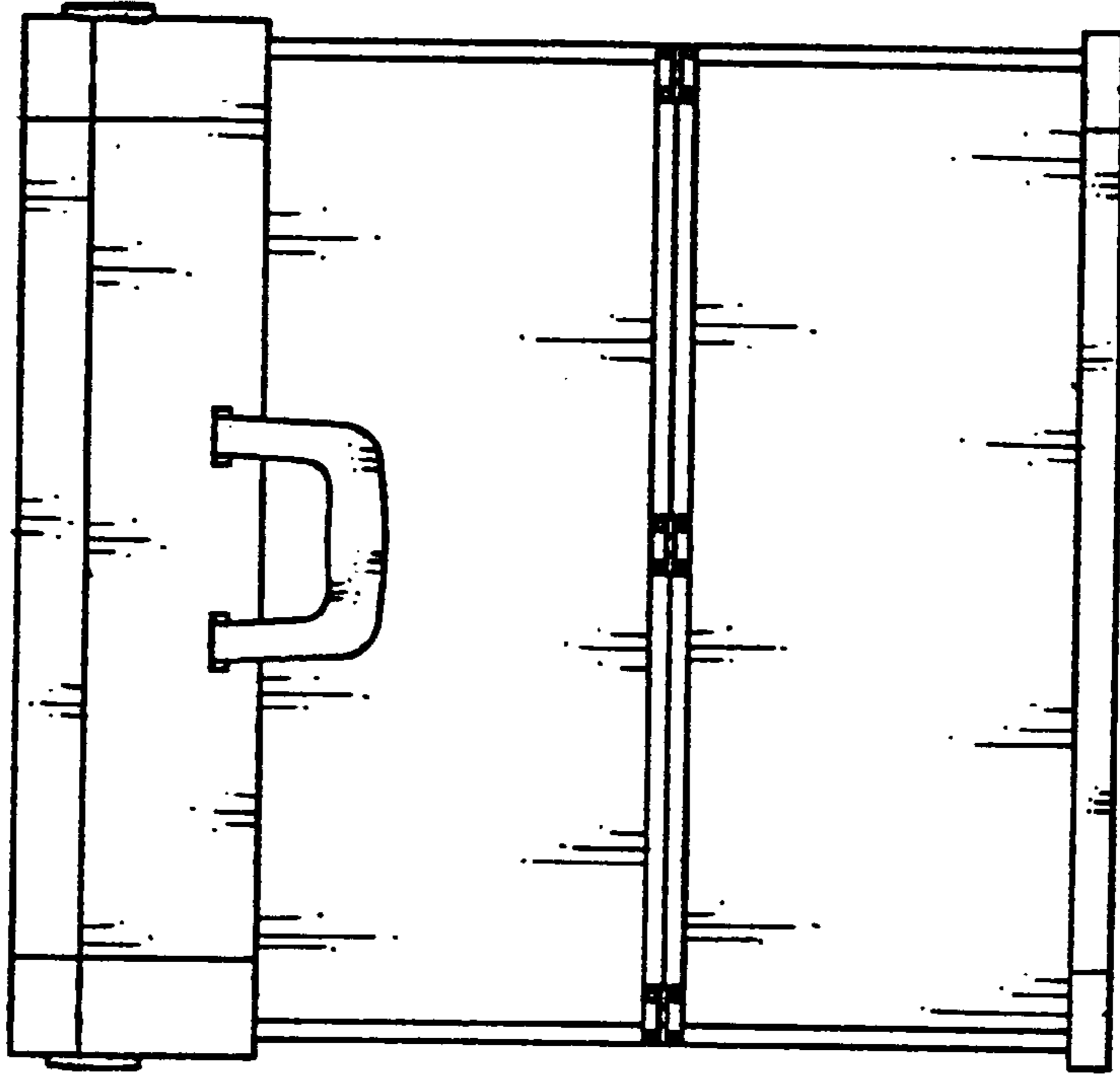


FIG. 7