



US00D414333S

United States Patent [19]

Barber et al.

[11] Patent Number: **Des. 414,333**

[45] Date of Patent: **** Sep. 28, 1999**

[54] **FOLDABLE SHIPPING CONTAINER**

[75] Inventors: **George L. Barber**, Twinsburg; **Curtis P. Taylor**, Chagrin Falls, both of Ohio

[73] Assignee: **Hoover Group Inc.**, Beatrice, Nebr.

[**] Term: **14 Years**

[21] Appl. No.: **29/092,708**

[22] Filed: **Aug. 25, 1998**

[51] LOC (6) Cl. **03-01**

[52] U.S. Cl. **D3/272**

[58] Field of Search D3/272, 273; 206/386, 206/600, 320, 349, 522; 222/105; 220/342; D34/7, 38

[56] **References Cited**

U.S. PATENT DOCUMENTS

- D. 245,319 8/1977 Wodell D3/272
- D. 289,108 4/1987 Guibault D3/272
- D. 331,306 11/1992 Sumpter et al. D3/272

- D. 338,329 8/1993 Cornwell D3/272
- D. 342,159 12/1993 Daouk D3/272
- D. 347,113 5/1994 Bornhorst et al. D3/272
- 5,564,599 10/1996 Barber et al. 222/105

Primary Examiner—Philip S. Hyder
Attorney, Agent, or Firm—Wood, Phillips, VanSanten, Clark & Mortimer

[57] **CLAIM**

The ornamental design for a foldable shipping container, as shown and described.

DESCRIPTION

FIG. 1 is a perspective view of a foldable shipping container showing our new design; FIG. 2 is a top plan view thereof; FIG. 3 is a front elevation view thereof; FIG. 4 is a left side elevation view thereof; FIG. 5 is a rear elevation view thereof; FIG. 6 is a right side elevation view thereof; and, FIG. 7 is a bottom plan view thereof.

1 Claim, 7 Drawing Sheets

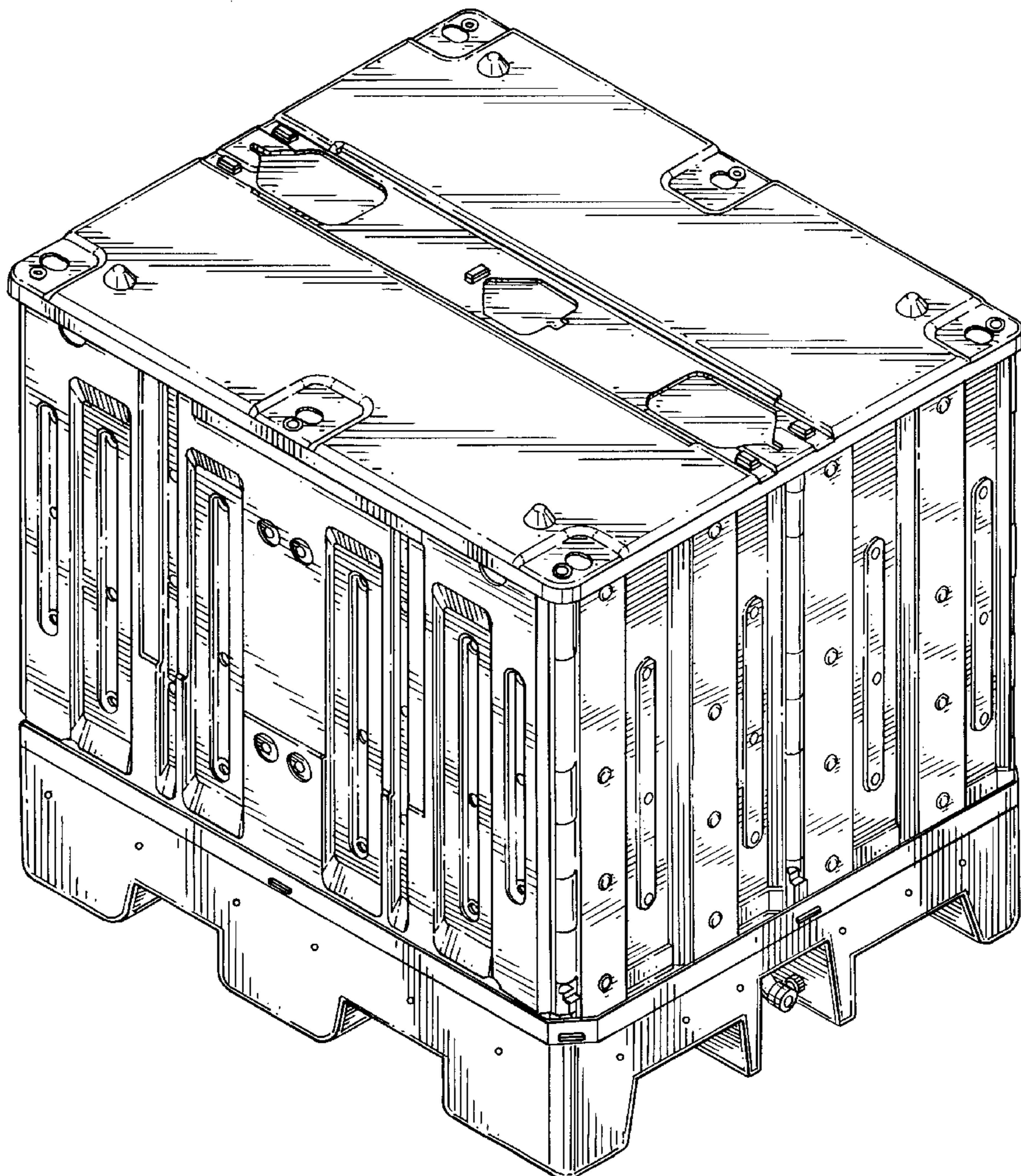


FIG. 1

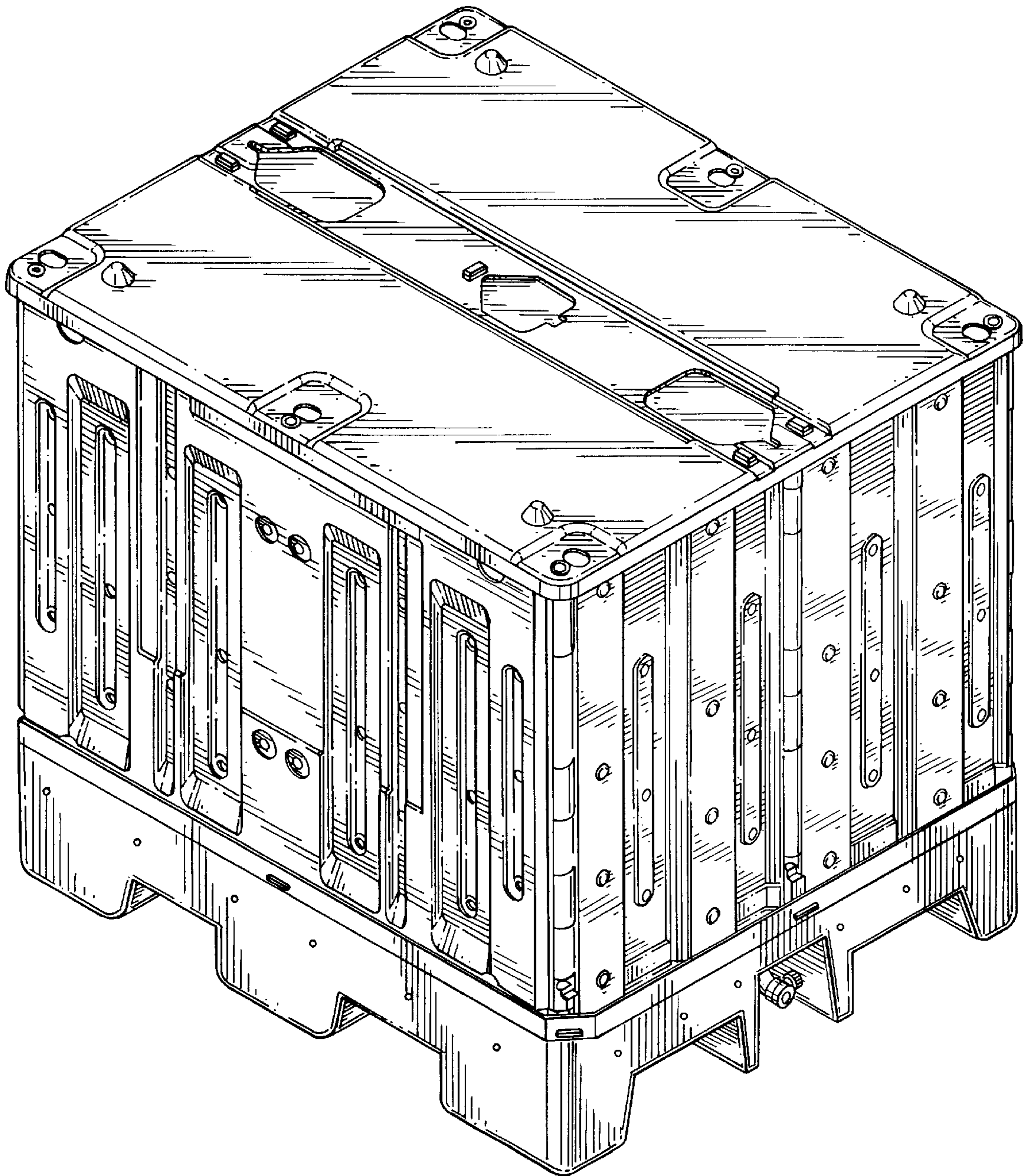


FIG. 2

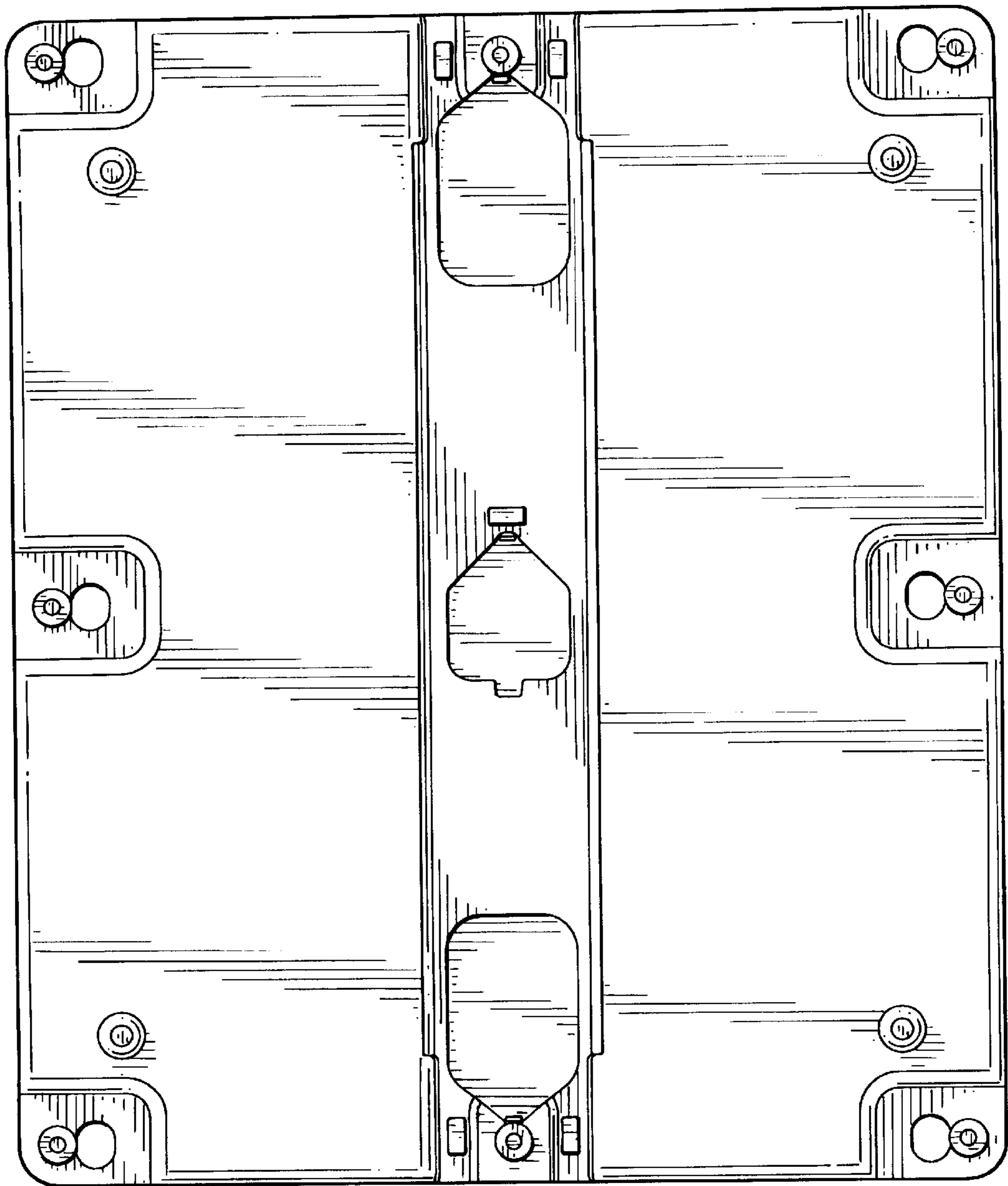


FIG. 3

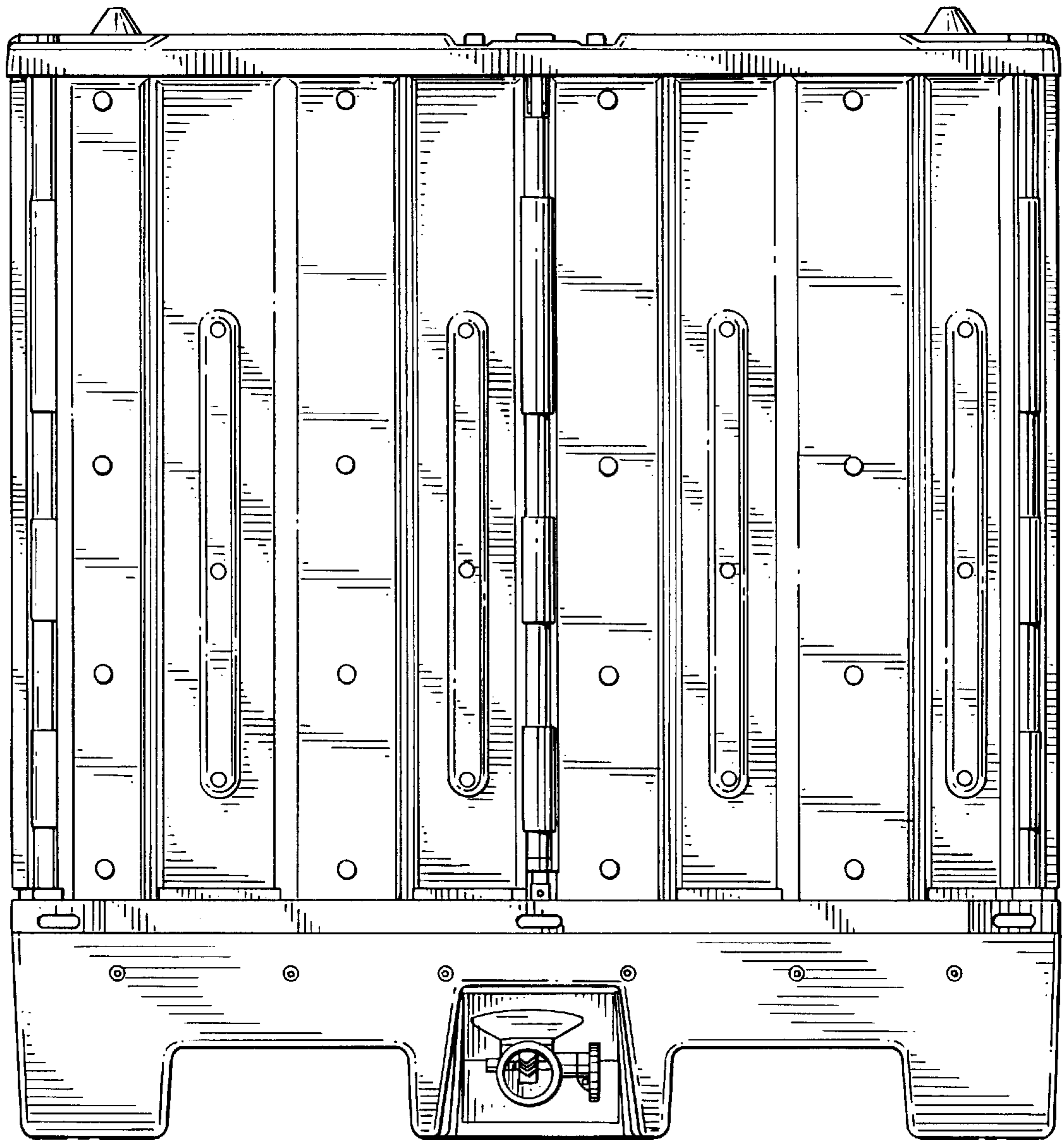


FIG. 4

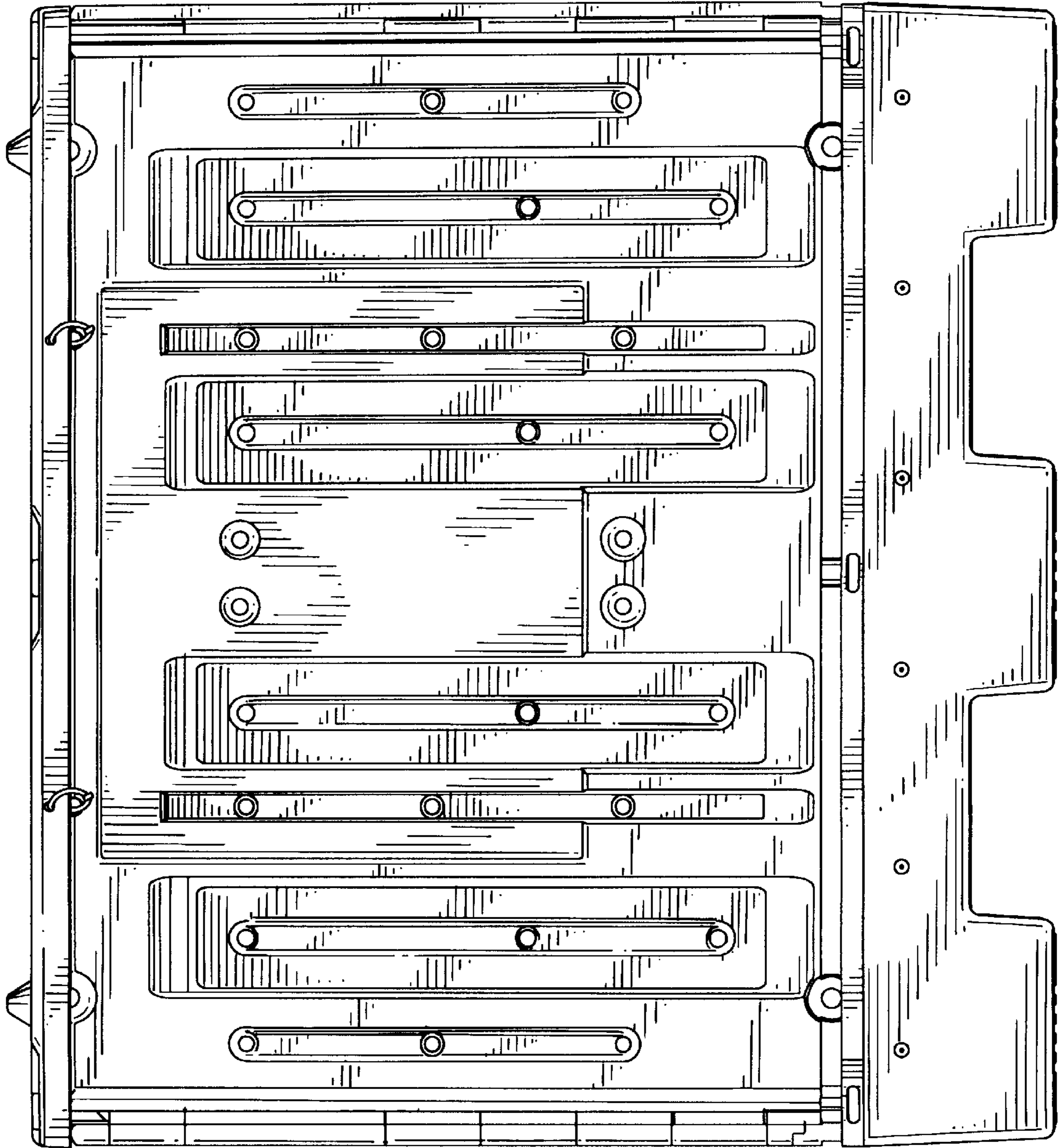


FIG. 5

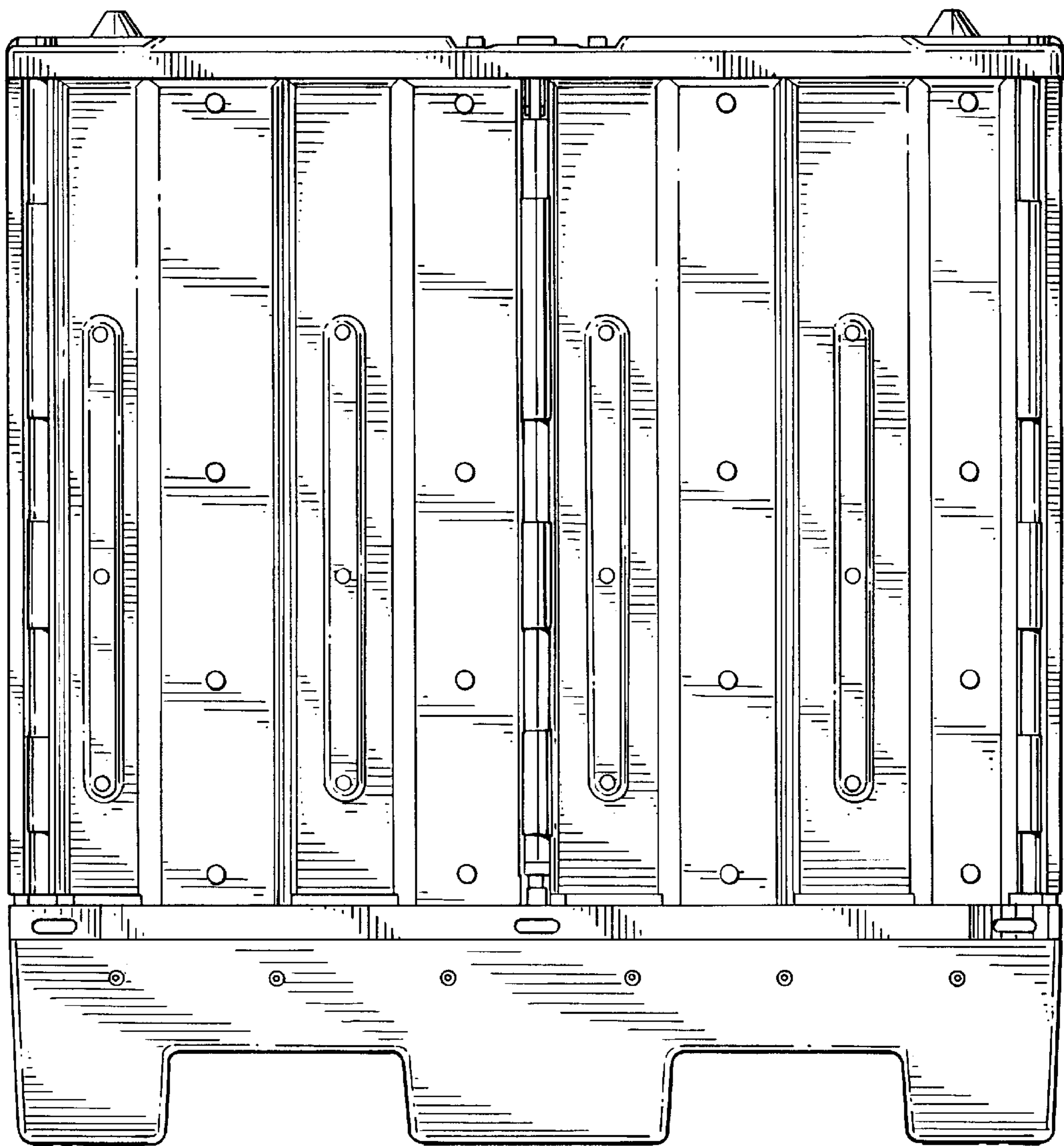


FIG. 6

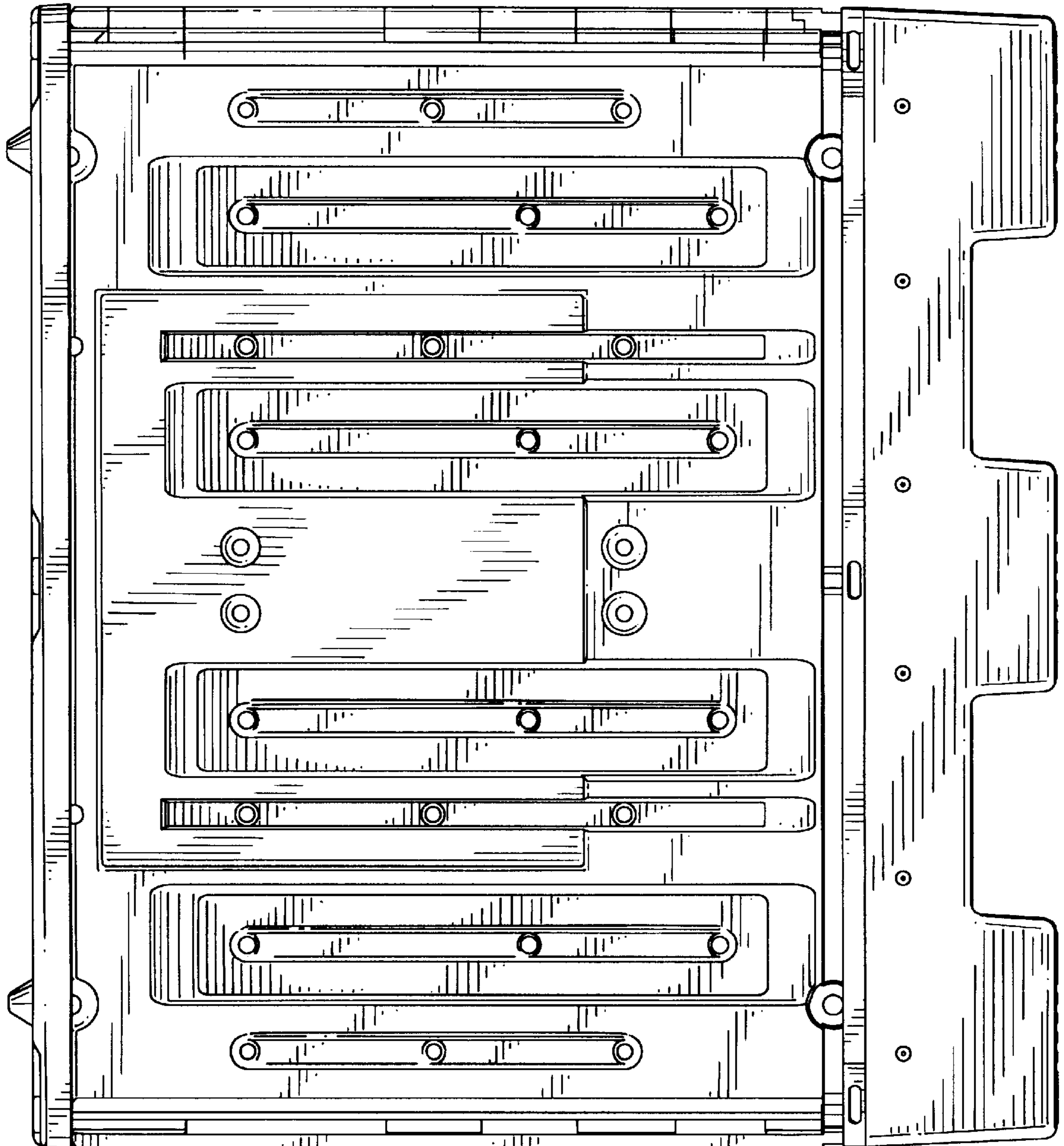


FIG. 7

