



US00D414331S

**United States Patent** [19]  
**Lichtenberger**

[11] **Patent Number: Des. 414,331**

[45] **Date of Patent: \*\* Sep. 28, 1999**

[54] **SHOULDER HOLSTER WITH DETACHABLE BIT HOLDER FOR A CORDLESS DRILL**

[76] Inventor: **Daniel David Lichtenberger**, 2161 Bluebell Dr., Livermore, Calif. 94550

[\*\*] Term: **14 Years**

[21] Appl. No.: **29/081,528**

[22] Filed: **Jan. 5, 1998**

[51] **LOC (6) Cl.** ..... **03-01**

[52] **U.S. Cl.** ..... **D3/228; D3/222**

[58] **Field of Search** ..... D3/222, 223, 228; 224/192, 193, 904, 911, 912

[56] **References Cited**

**U.S. PATENT DOCUMENTS**

|            |        |              |       |           |
|------------|--------|--------------|-------|-----------|
| D. 333,215 | 2/1993 | Brown        | ..... | D3/228    |
| D. 342,831 | 1/1994 | Dise         | ..... | D3/228    |
| 4,828,154  | 5/1989 | Clifton, Jr. | ..... | 224/192   |
| 4,917,281  | 4/1990 | Ostermiller  | ..... | 224/904 X |
| 4,953,767  | 9/1990 | Bennett      | ..... | 224/192   |

*Primary Examiner*—Louis S. Zarfes  
*Assistant Examiner*—Catherine R. Oliver

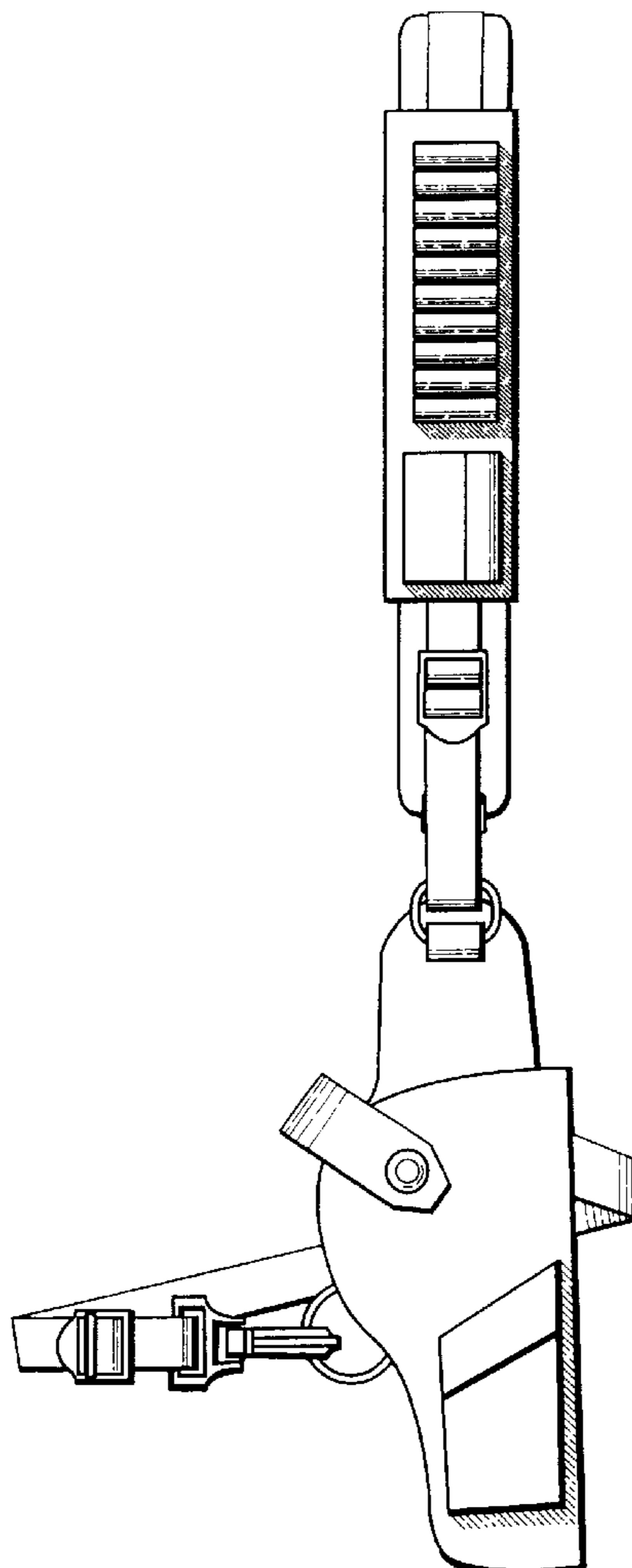
[57] **CLAIM**

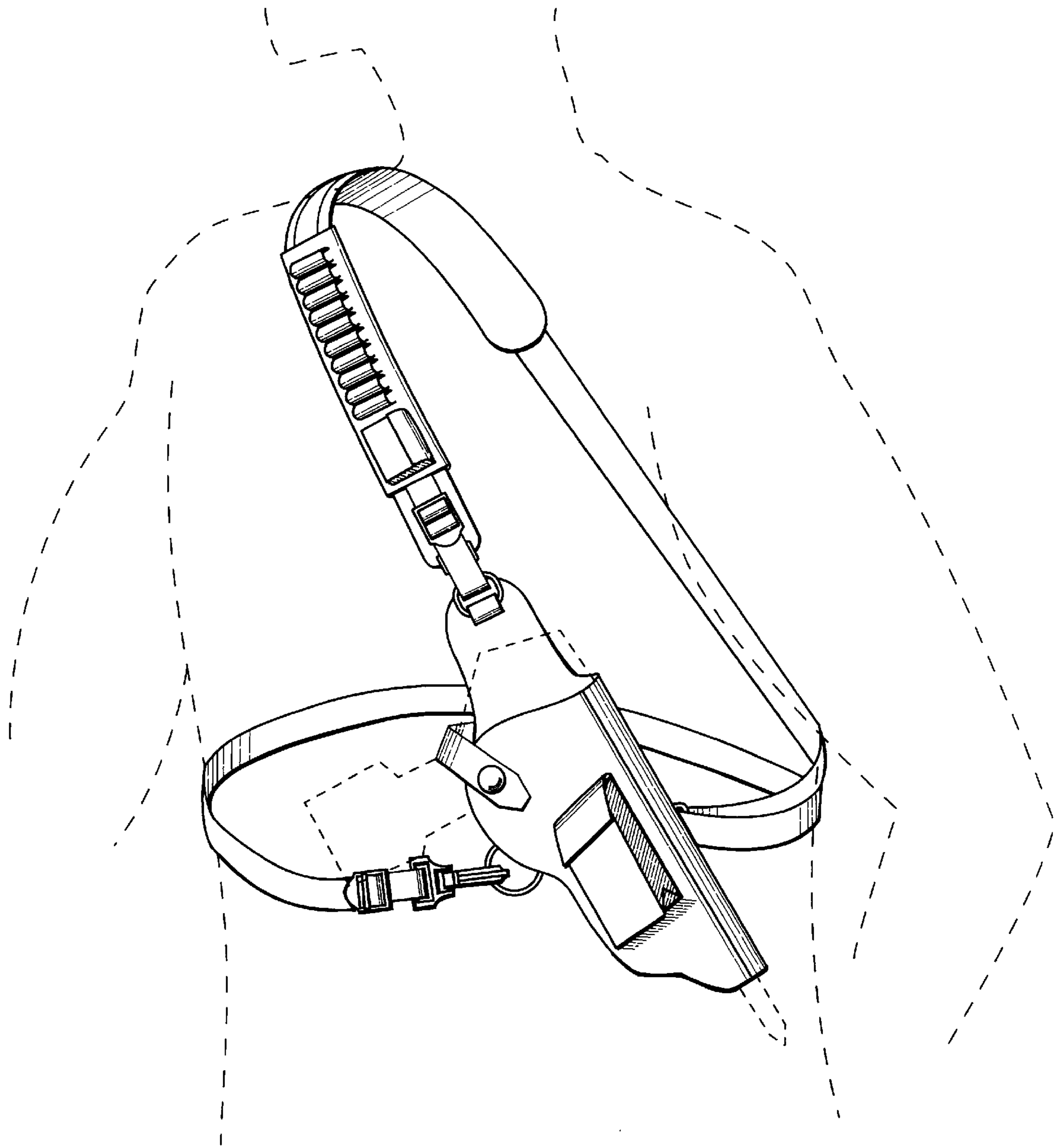
The ornamental design for a shoulder holster with detachable bit holder for a cordless drill, as shown and described.

**DESCRIPTION**

FIG. 1 is a front perspective view of the shoulder holster with detachable bit holder for a cordless drill showing my new design;  
FIG. 2 is a front elevational view thereof;  
FIG. 3 is a left side elevational view thereof;  
FIG. 4 is a right side elevational view thereof;  
FIG. 5 is a rear elevational view thereof;  
FIG. 6 is a top plan view thereof,  
FIG. 7 is a bottom plan view thereof,  
FIG. 8 is a front elevational view of the detachable bit holder,  
FIG. 9 is a rear elevational view thereof,  
FIG. 10 is a top plan view thereof,  
FIG. 11 is a bottom plan view thereof,  
FIG. 12 is a left side elevational view thereof; and,  
FIG. 13 is a right side elevational view thereof.  
The broken line showing of a human body and of a drill in FIG. 1 is for illustrative purposes only and forms no part of the claimed design.

**1 Claim, 4 Drawing Sheets**





*Fig. 1*

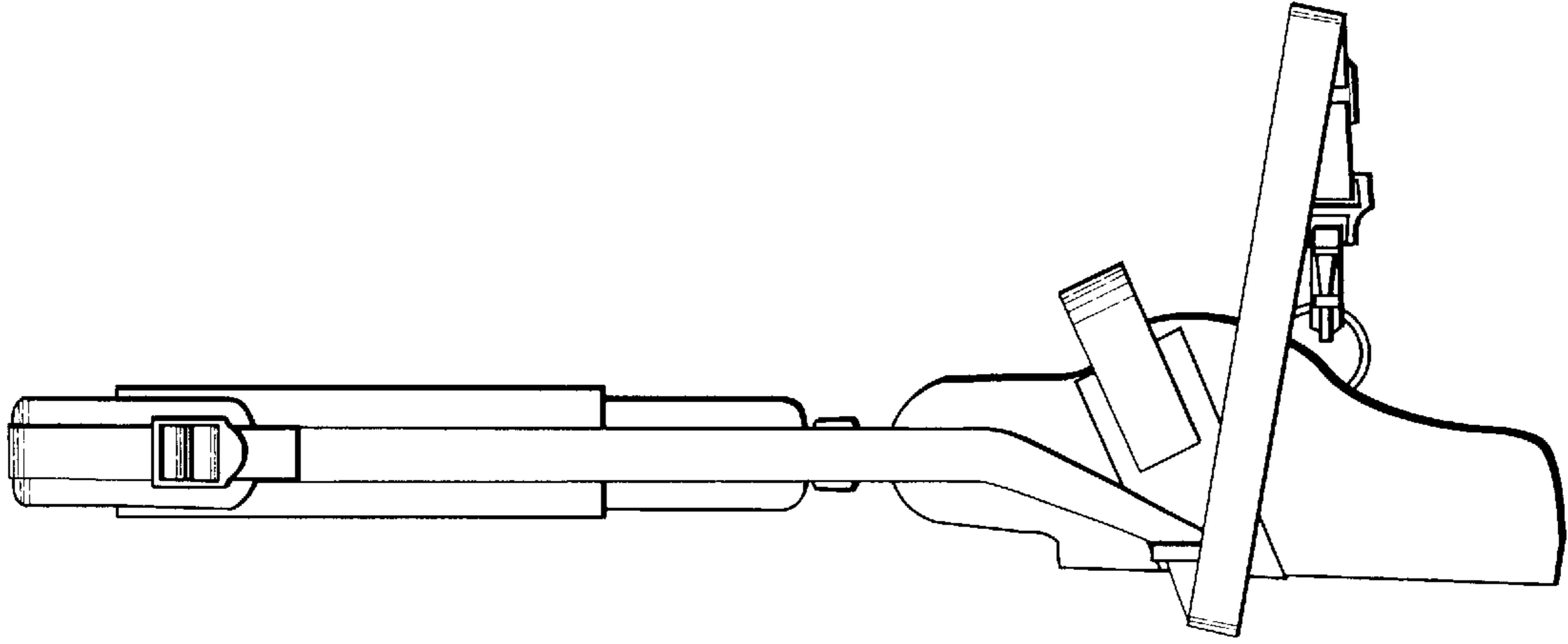


Fig. 5

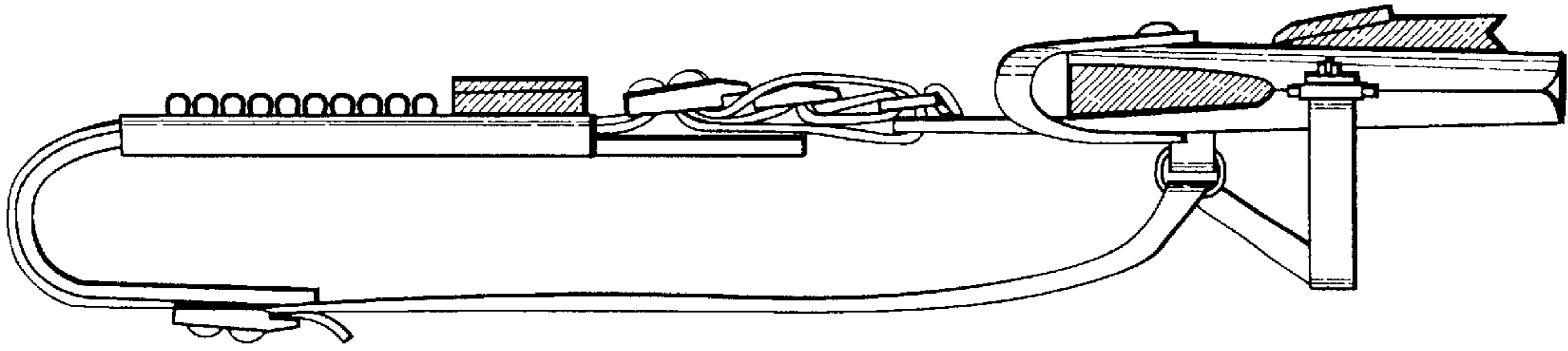


Fig. 4

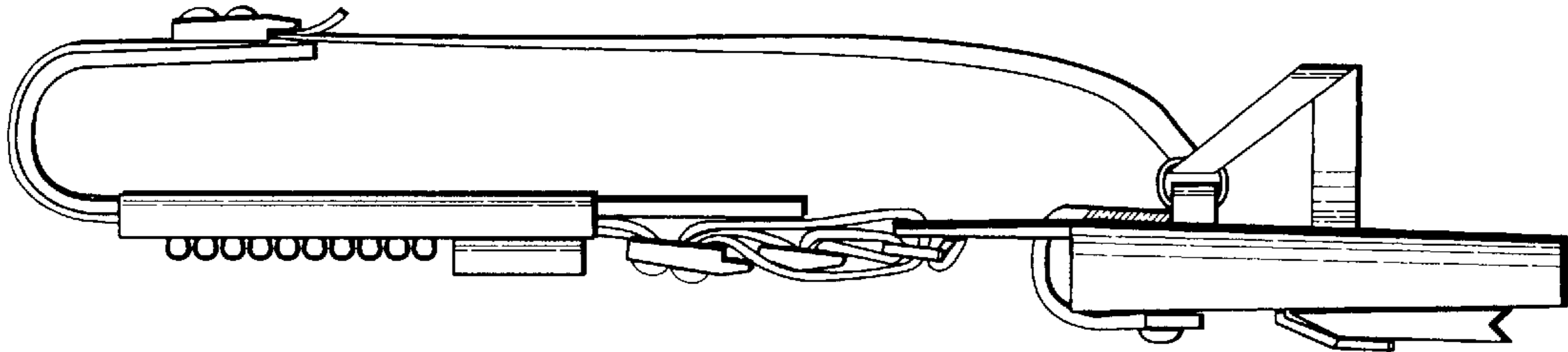


Fig. 3

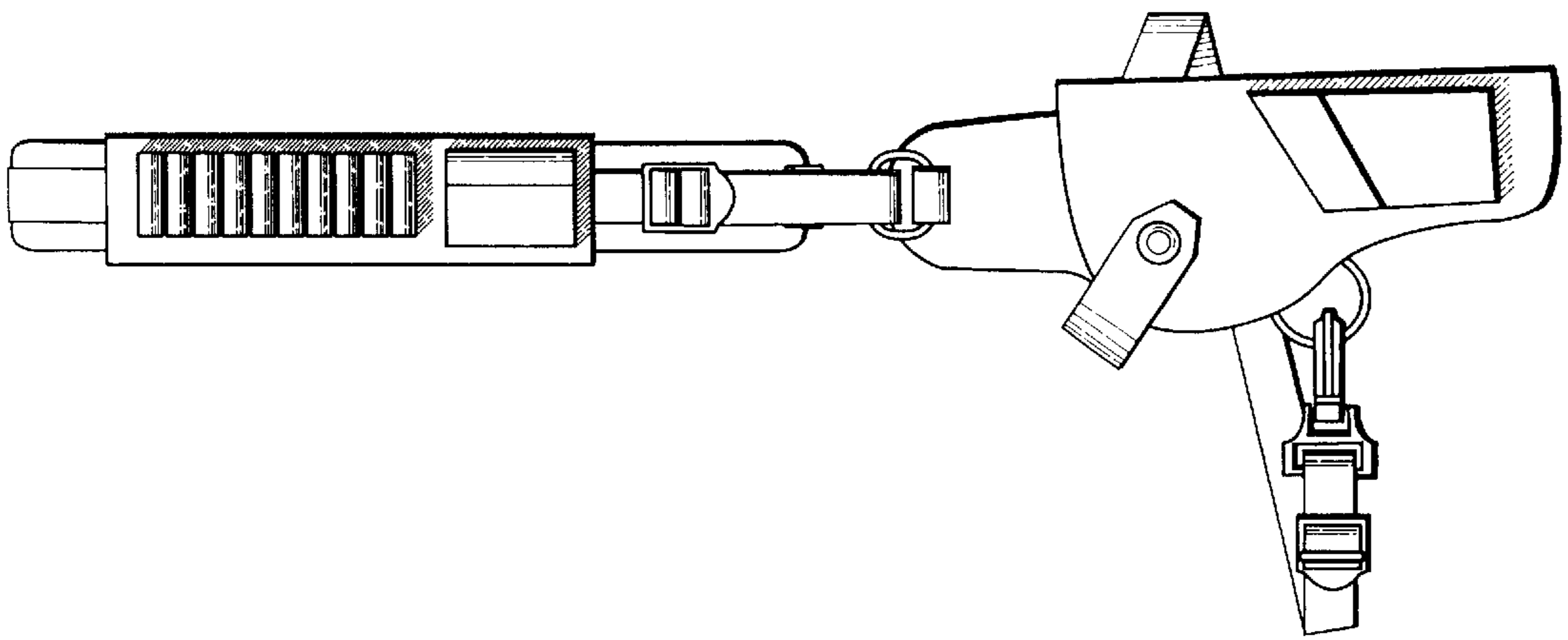
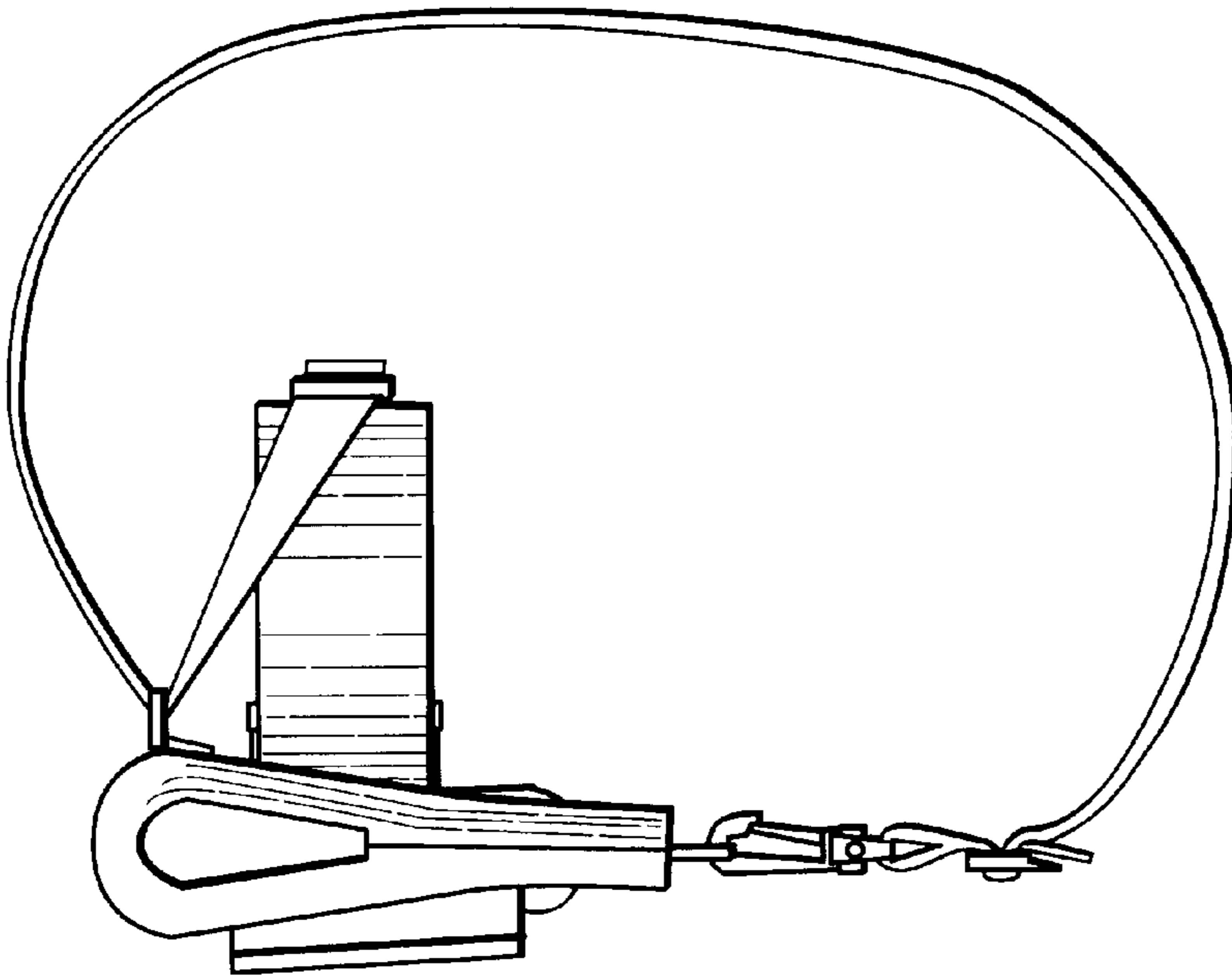
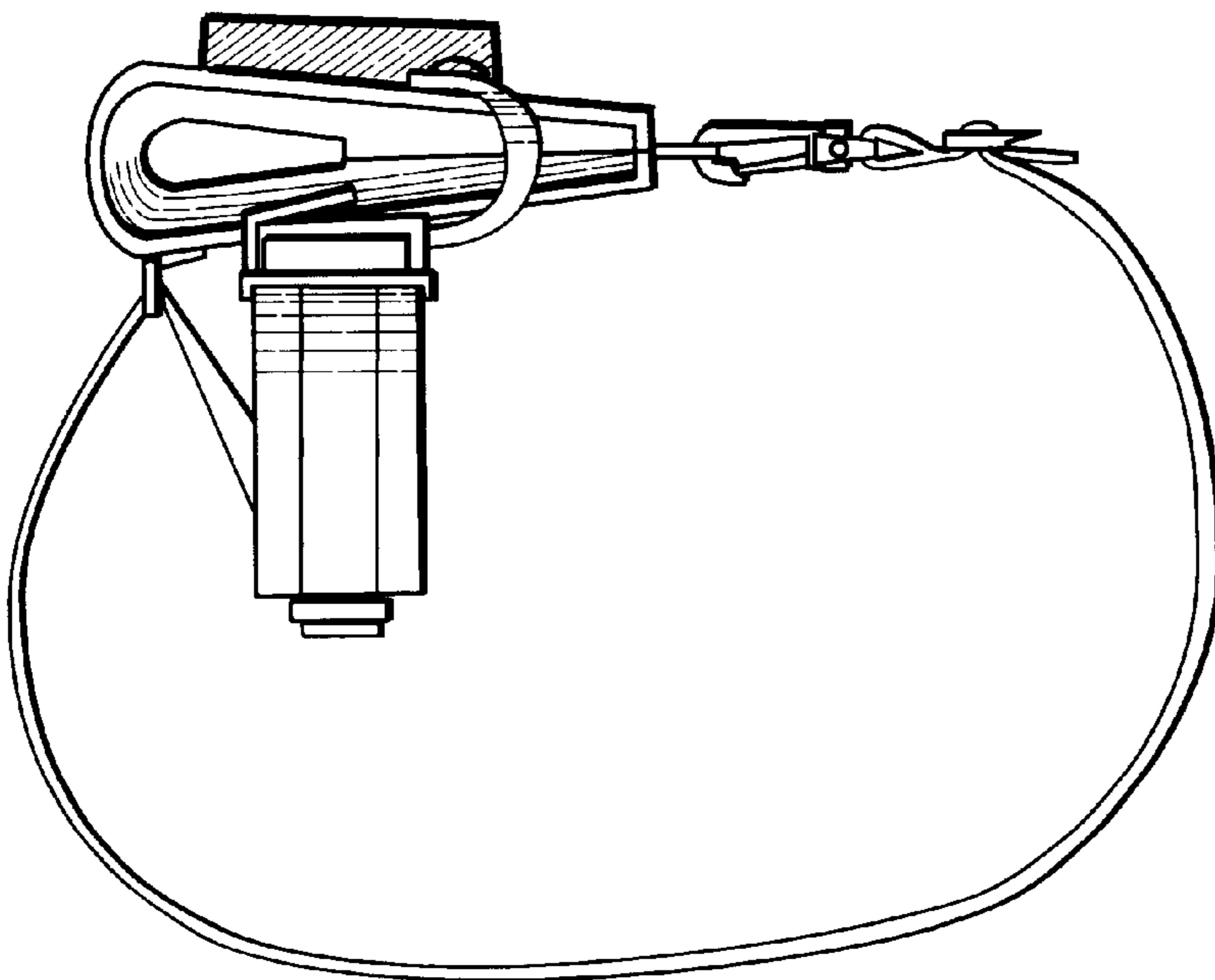


Fig. 2



*Fig. 7*



*Fig. 6*

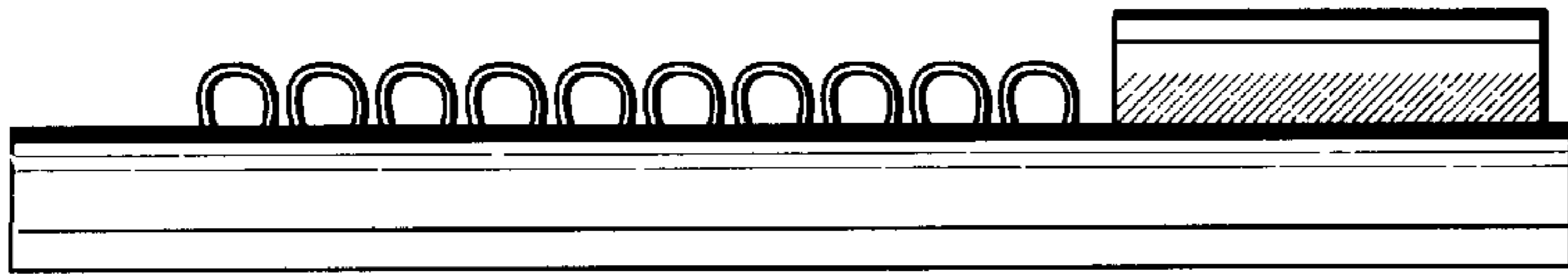


Fig 11

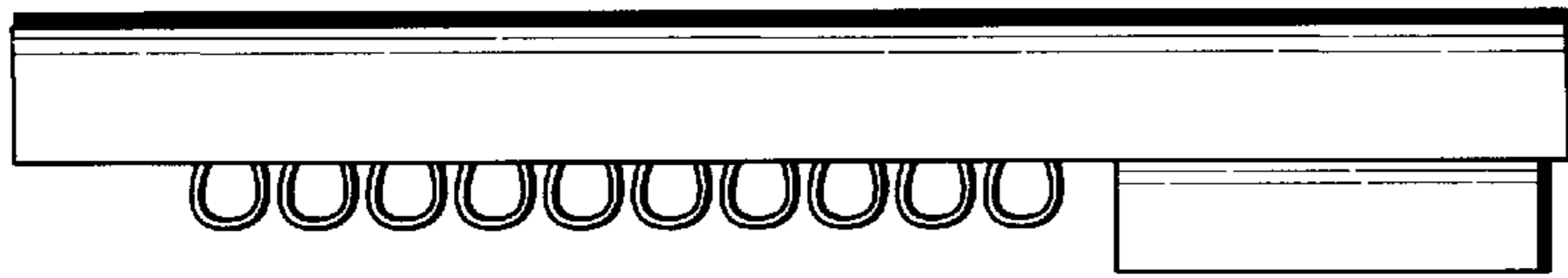


Fig 10

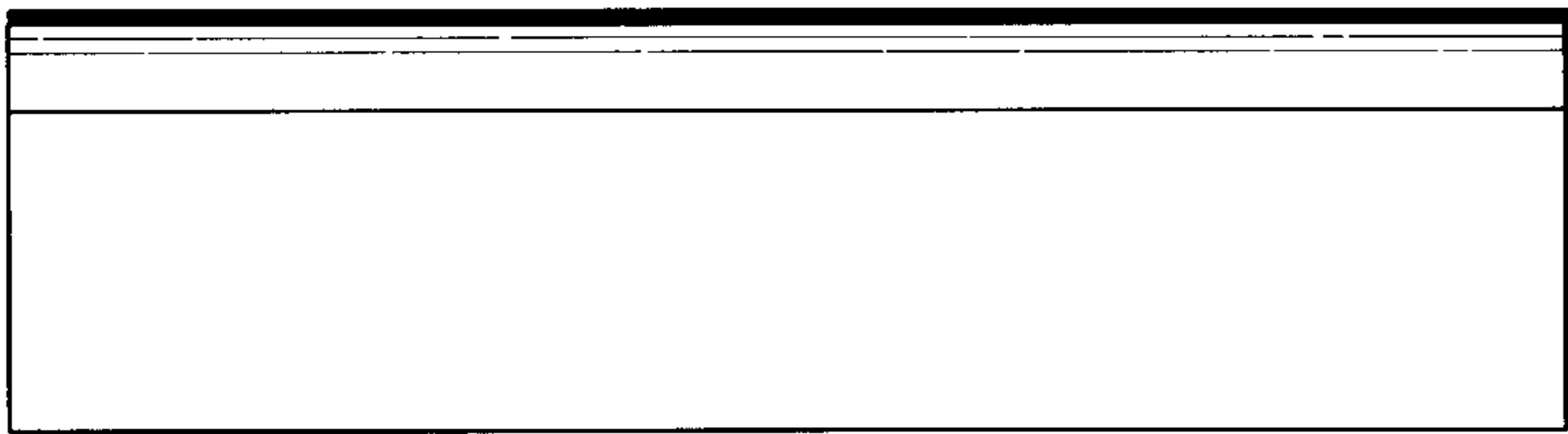


Fig 9

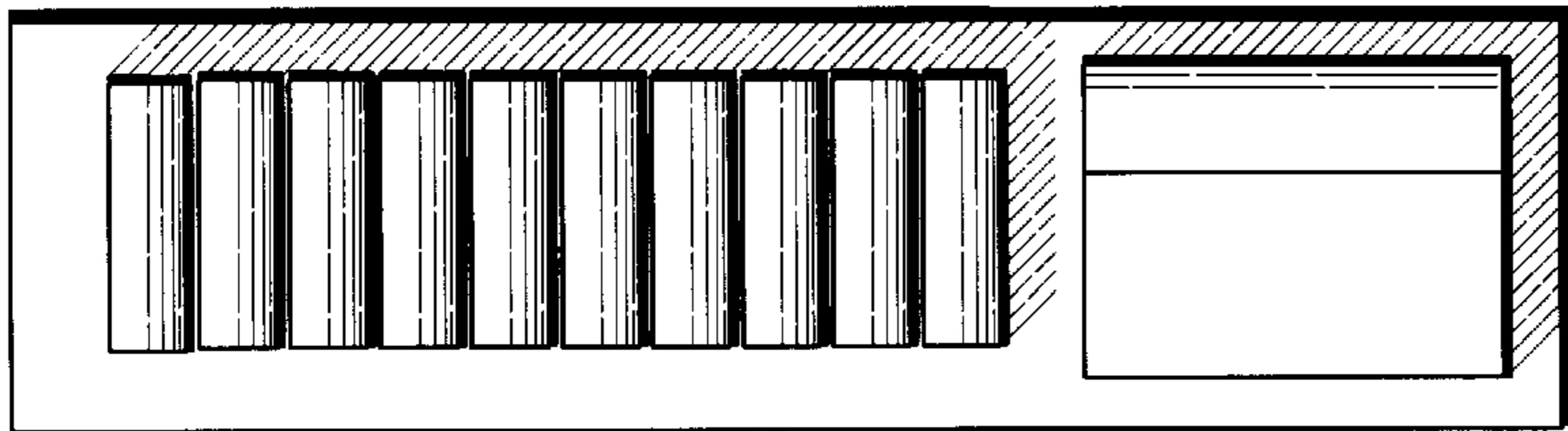


Fig 8

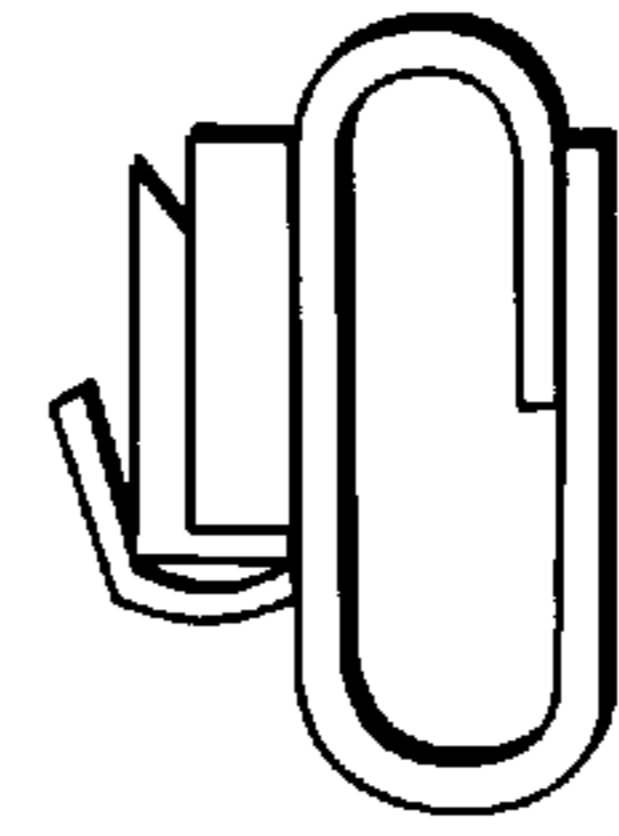


Fig 13

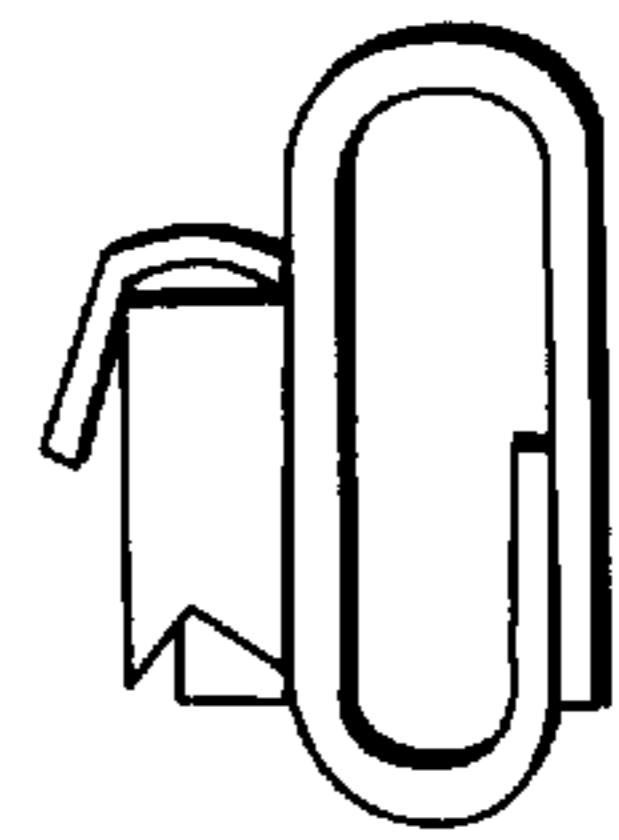


Fig 12