



US00D414329S

United States Patent [19]
Parker

[11] **Patent Number: Des. 414,329**

[45] **Date of Patent: ** Sep. 28, 1999**

[54] **KEY HOLDER**

2,448,332 8/1948 St. Thomas D3/212
2,669,113 2/1954 Gillette D3/212

[76] Inventor: **Newton A. Parker**, 67 Concord Pl.,
Lafayette, N.J. 07848

Primary Examiner—Ralf Seifert

[**] Term: **14 Years**

[57] **CLAIM**

The ornamental design of a key holder, as shown and described.

[21] Appl. No.: **29/034,975**

[22] Filed: **Feb. 16, 1995**

DESCRIPTION

[51] **LOC (6) Cl.** **03-01**

FIG. 1 is a perspective view of a key holder showing my new design;

[52] **U.S. Cl.** **D3/212**

FIG. 2 is an end elevational view;

[58] **Field of Search** D3/207-212; 70/456 B

FIG. 3 is a top plan view;

FIG. 4 is a side elevational view;

[56] **References Cited**

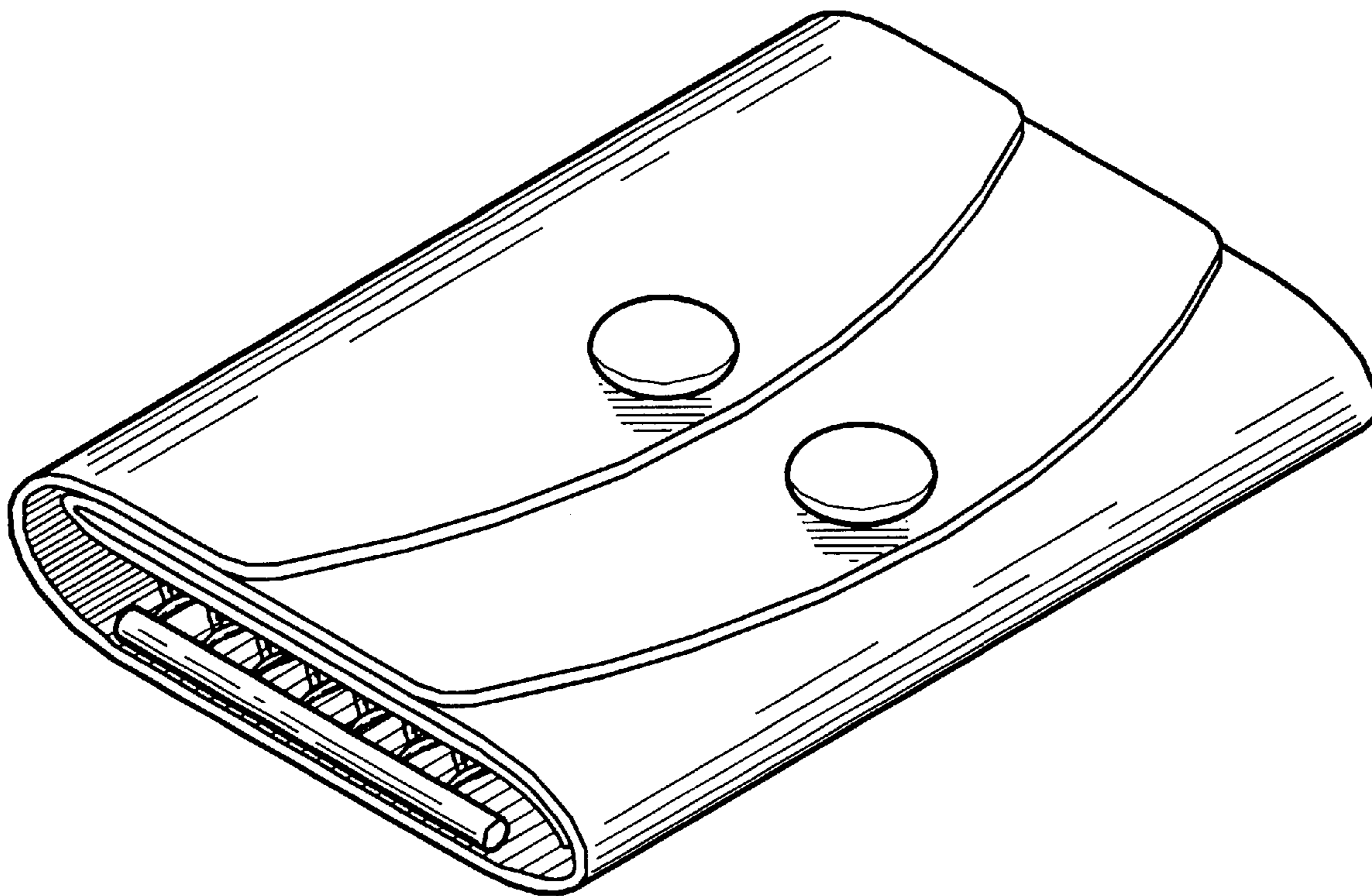
U.S. PATENT DOCUMENTS

D. 118,440	1/1940	Mercer	D3/212
D. 174,526	4/1955	Chase	D3/208
1,645,709	10/1927	Lorber	D3/212
1,646,485	10/1927	Lorber	D3/212

FIG. 5 is a perspective view with one pocket in an open position; and,

FIG. 6 is perspective view shown from the opposite end of FIG. 5 with the second pocket in and opened position.

1 Claim, 2 Drawing Sheets



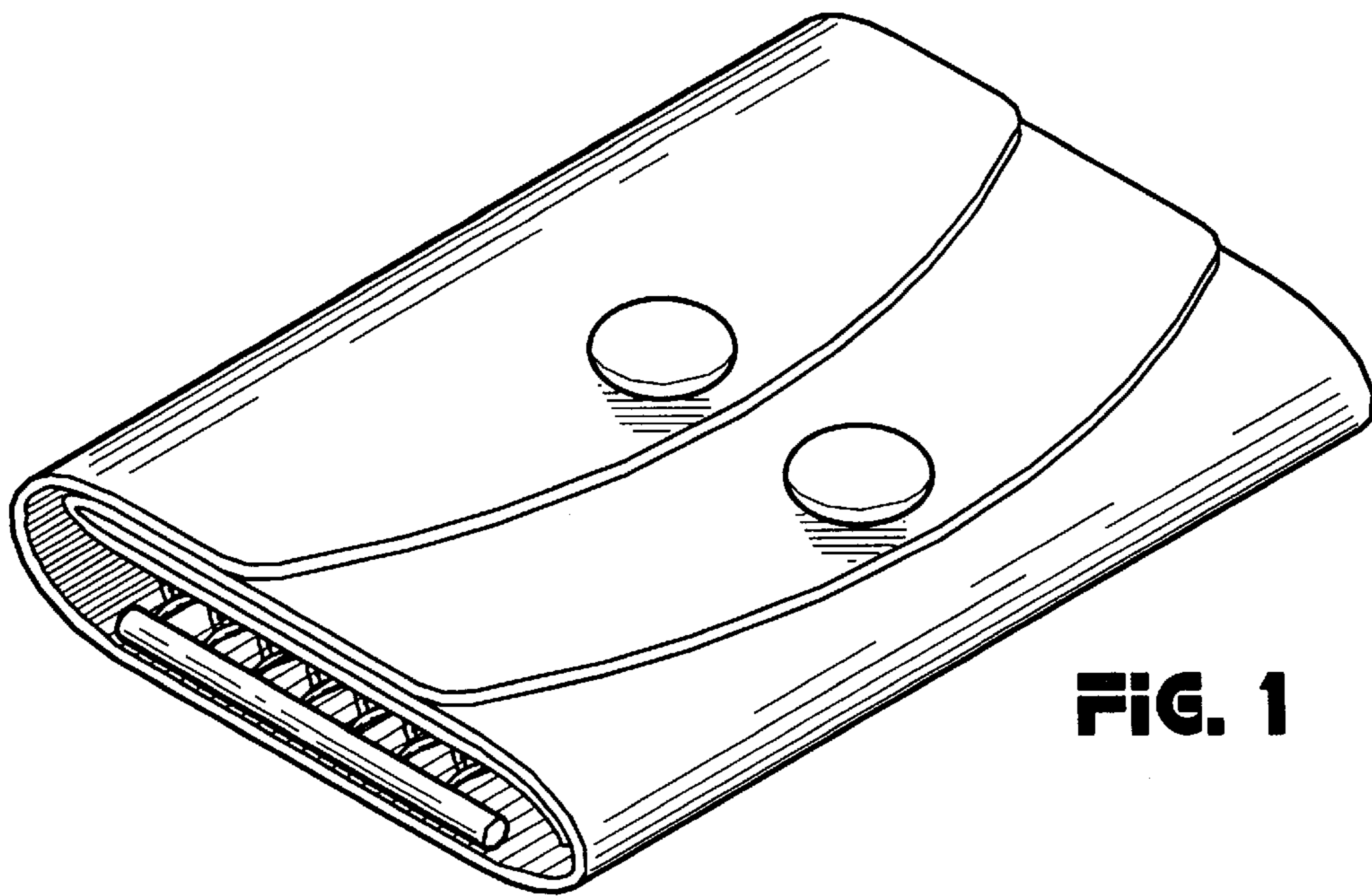


FIG. 1

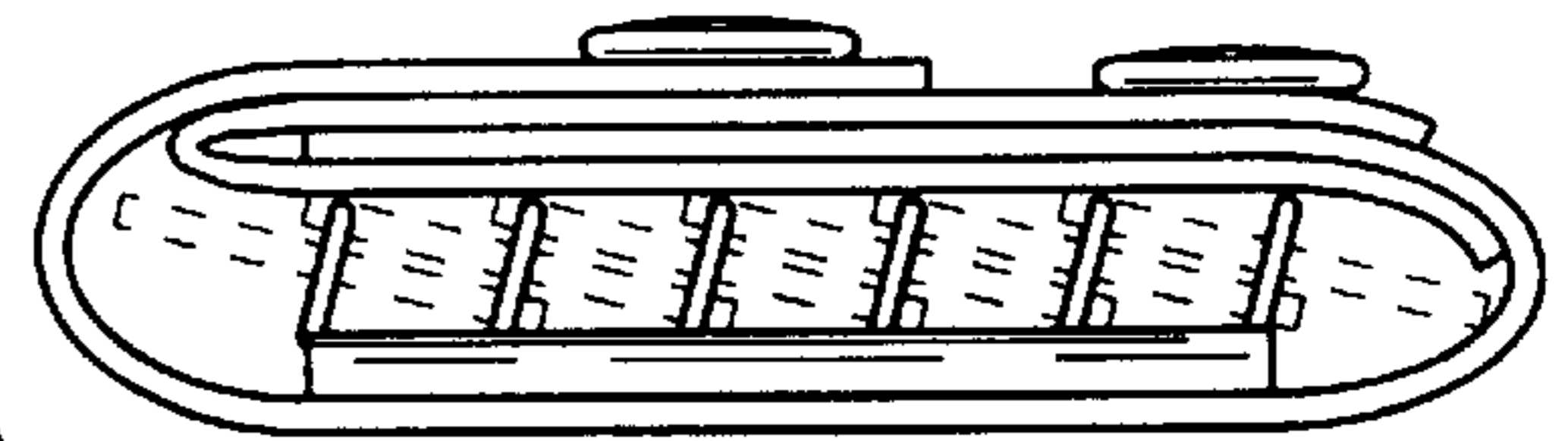


FIG. 2

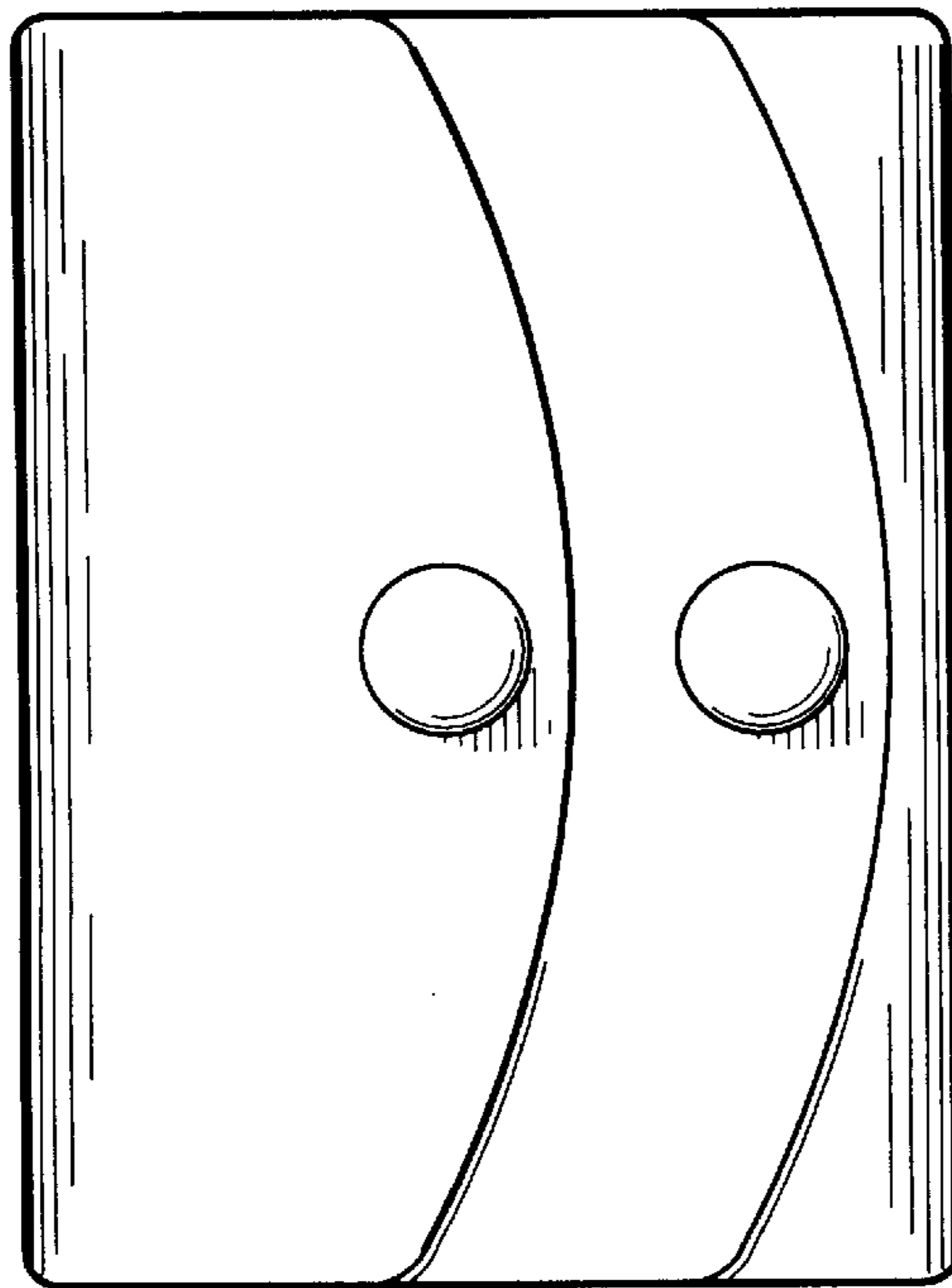


FIG. 3



FIG. 4

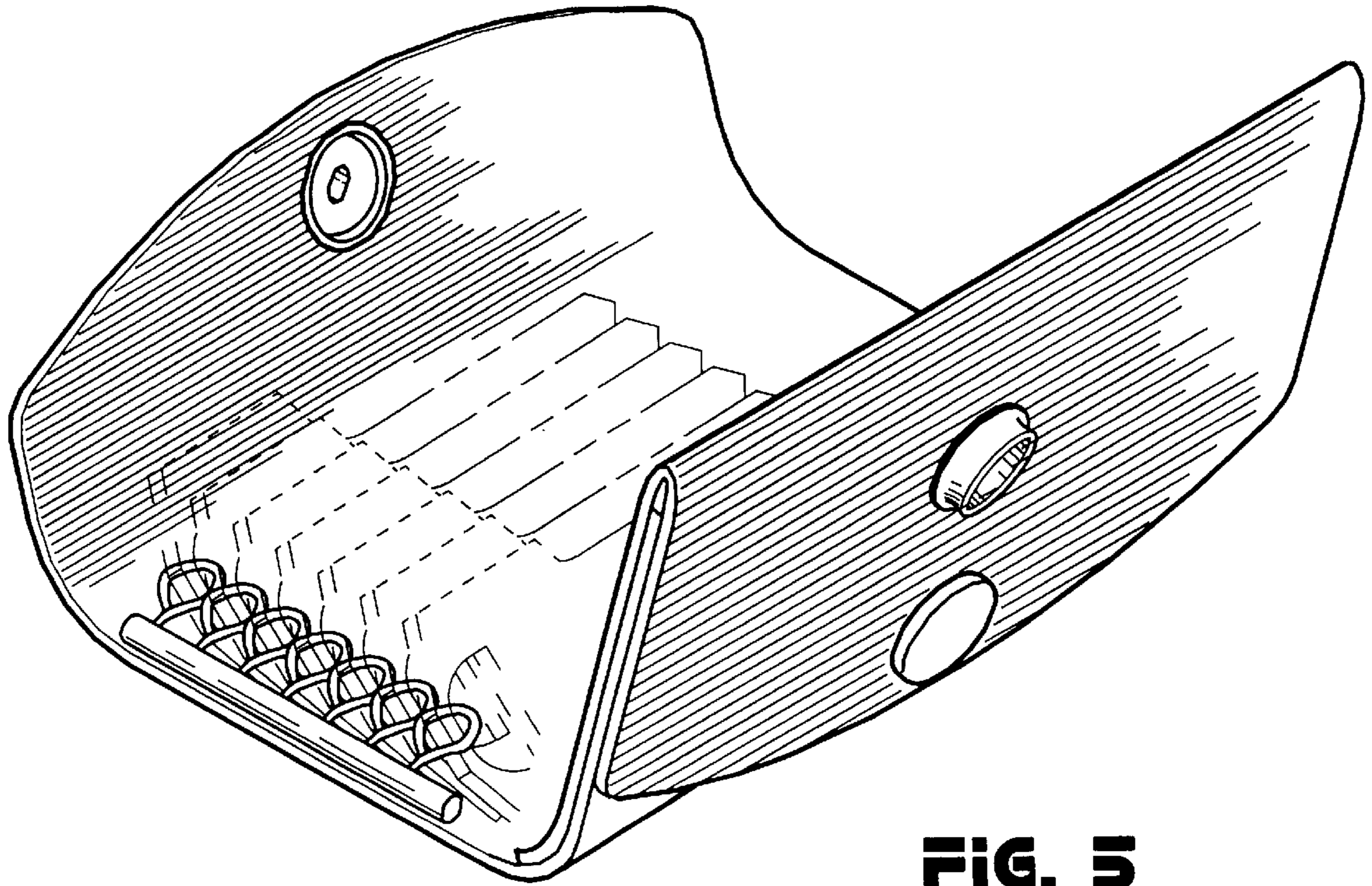


FIG. 5

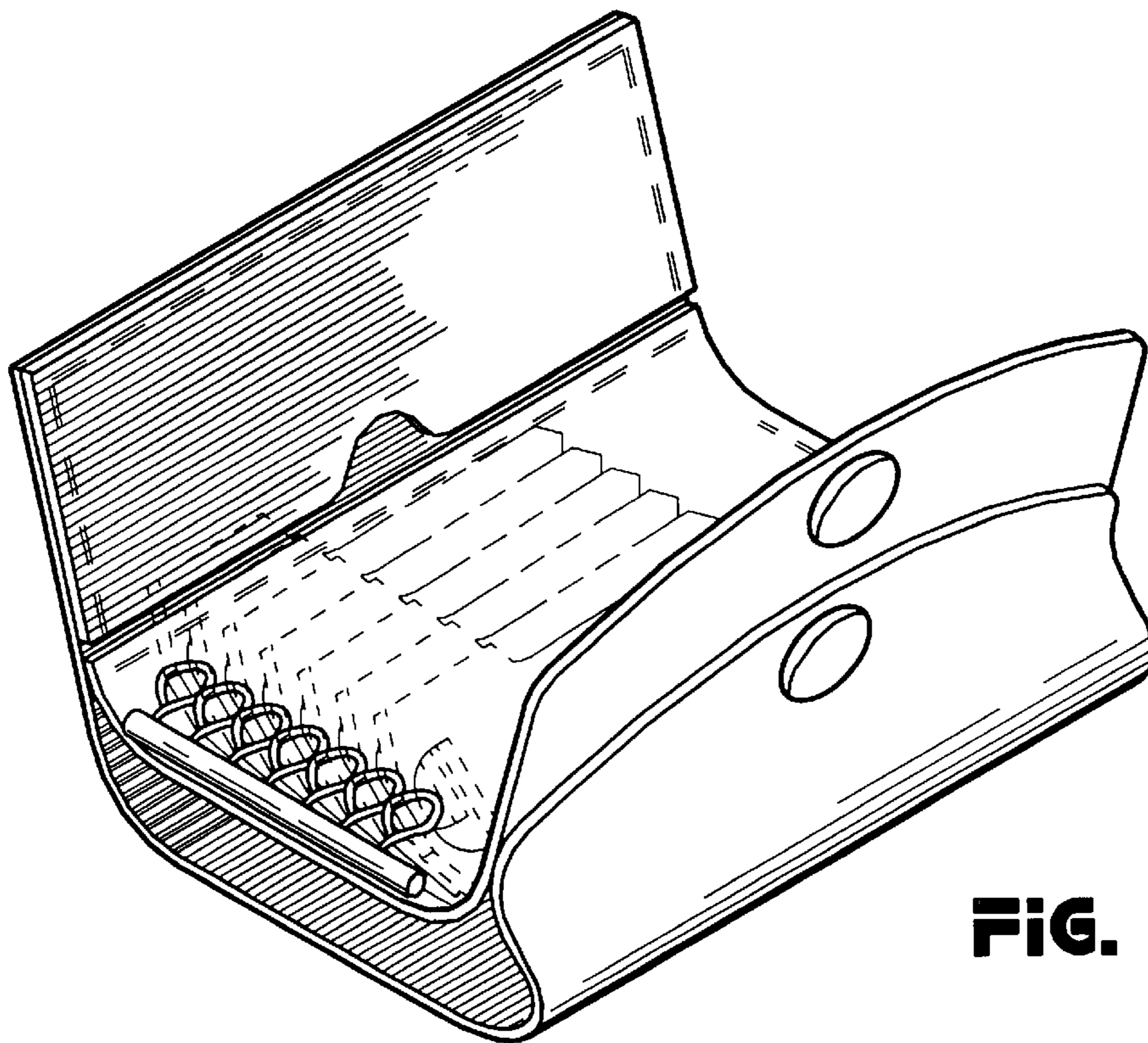


FIG. 6