



US00D414315S

United States Patent [19] Kim

[11] **Patent Number: Des. 414,315**

[45] **Date of Patent: ** Sep. 28, 1999**

[54] **CAP**
[76] **Inventor: Dong-Soo Kim**, 109-3, Dongsan-dong,
Dukyang-gu, Koyang, Kyongki-do
412-090, Rep. of Korea

[**] **Term: 14 Years**

[21] **Appl. No.: 29/097,372**

[22] **Filed: Dec. 4, 1998**

[30] Foreign Application Priority Data

Aug. 12, 1998 [KR] Rep. of Korea 98-13515

[51] **LOC (6) Cl. 02-03**

[52] **U.S. Cl. D2/869**

[58] **Field of Search** D2/865, 868, 869,
D2/872, 875, 876, 879, 882, 886, 893;
2/177, 172, 173, 181, 195.1, 209.11, 209.12,
200.3; 446/26, 27

[56] References Cited

U.S. PATENT DOCUMENTS

D. 258,323 2/1981 Lewis D2/872
2,648,847 8/1953 Crowdor 2/195.5

2,735,109 2/1956 Feldman 2/172
4,268,918 5/1981 Lee 2/172
4,778,172 10/1988 Bryan 446/26
5,343,568 9/1994 May 2/195.1

Primary Examiner—Paula A. Mortimer

[57] CLAIM

I claim the ornamental design of a cap, as shown and described.

DESCRIPTION

FIG. 1 is a front elevational view of a cap showing my new design;
FIG. 2 is a rear elevational view of the cap of FIG. 1;
FIG. 3 is a left side elevational view of the cap of FIG. 1;
FIG. 4 is a right side elevational view of cap of FIG. 1;
FIG. 5 is a top plan view of the cap of FIG. 1;
FIG. 6 is a bottom plan view of the cap of FIG. 1;
FIG. 7 is a right, front perspective view of the cap of FIG. 1; and,
FIG. 8 is a right, front perspective view of the cap of FIG. 1 in a state that the upper and lower visors are collapsed upon each other.

1 Claim, 5 Drawing Sheets

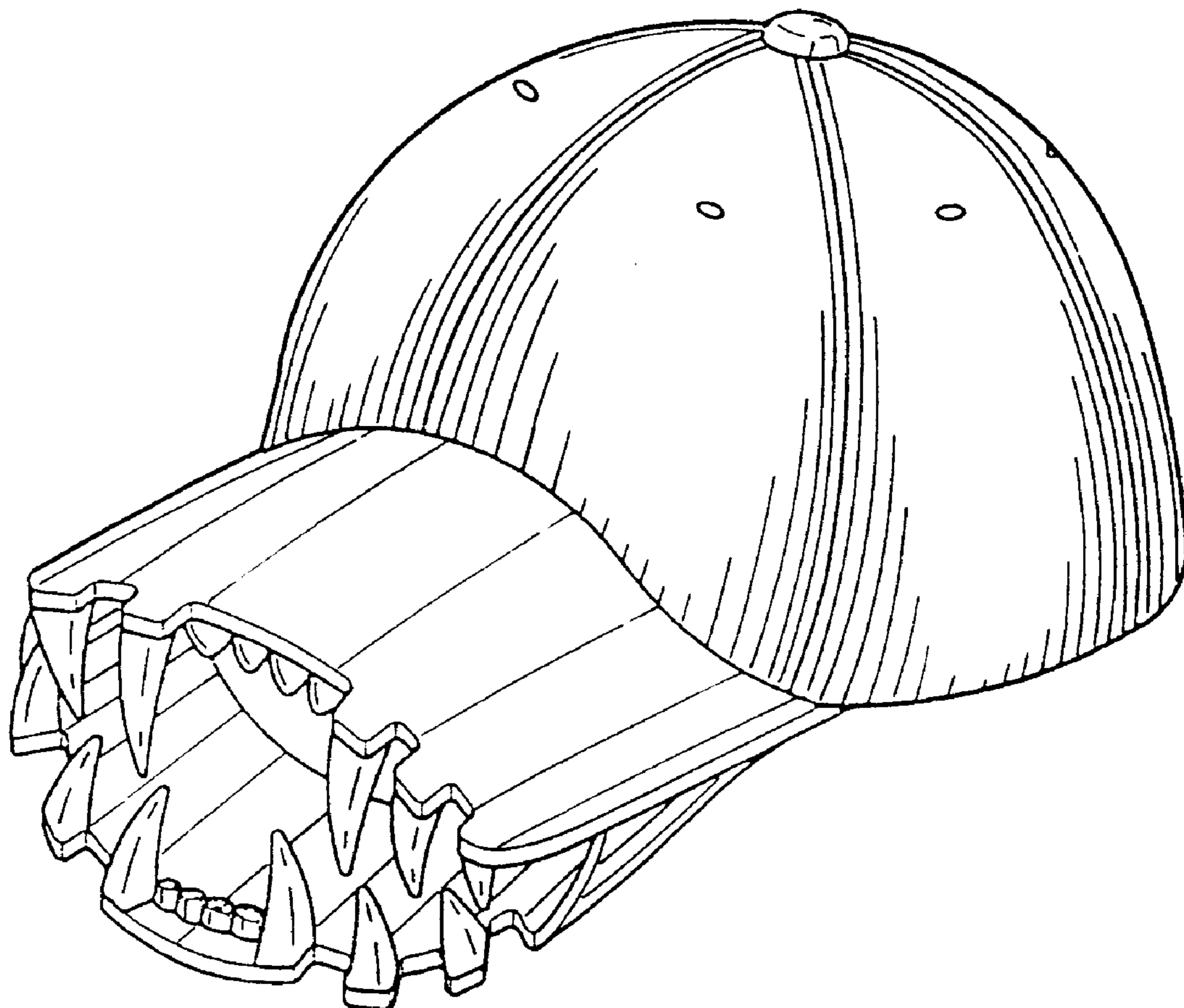


FIG. 1

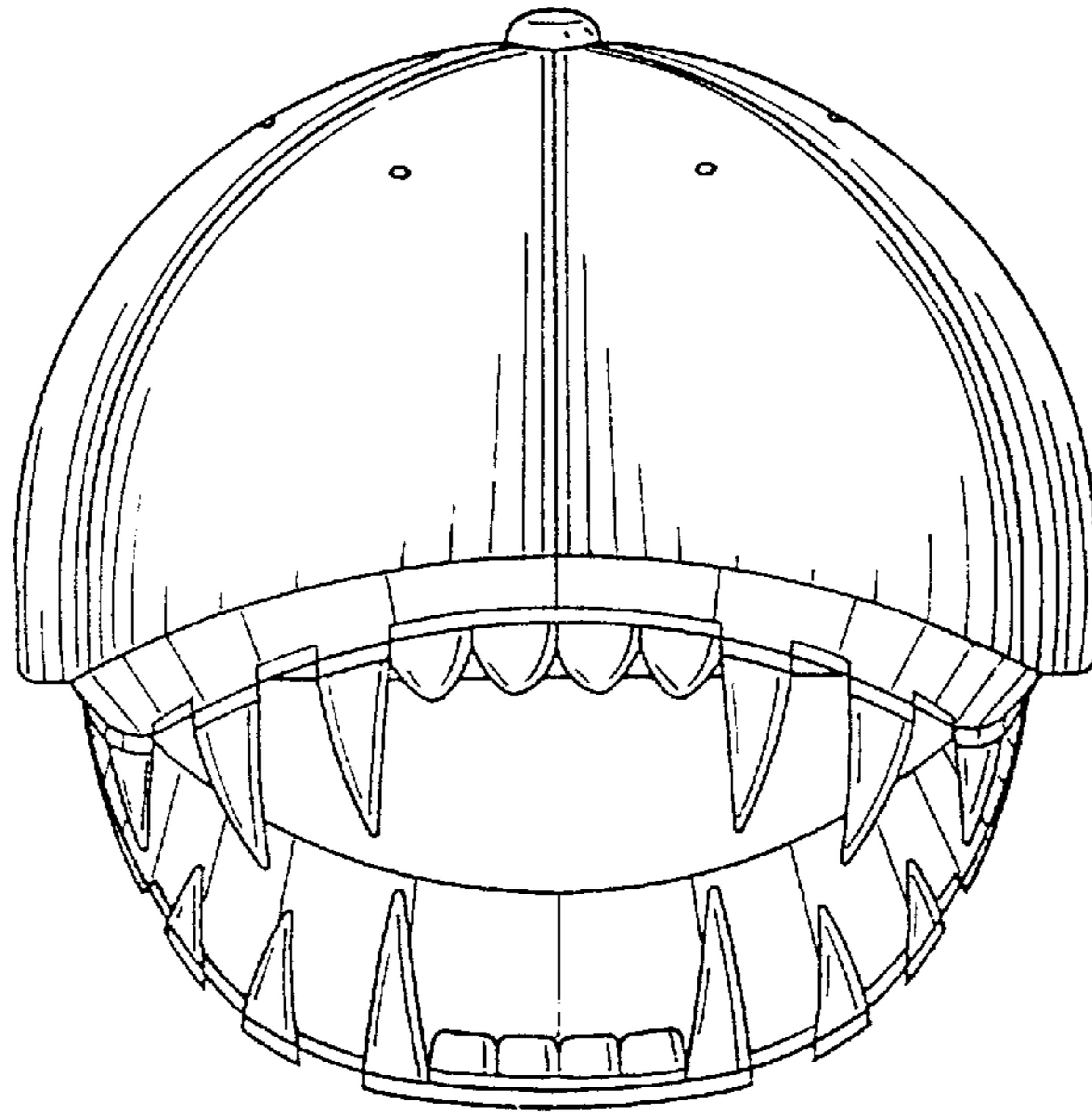


FIG. 2

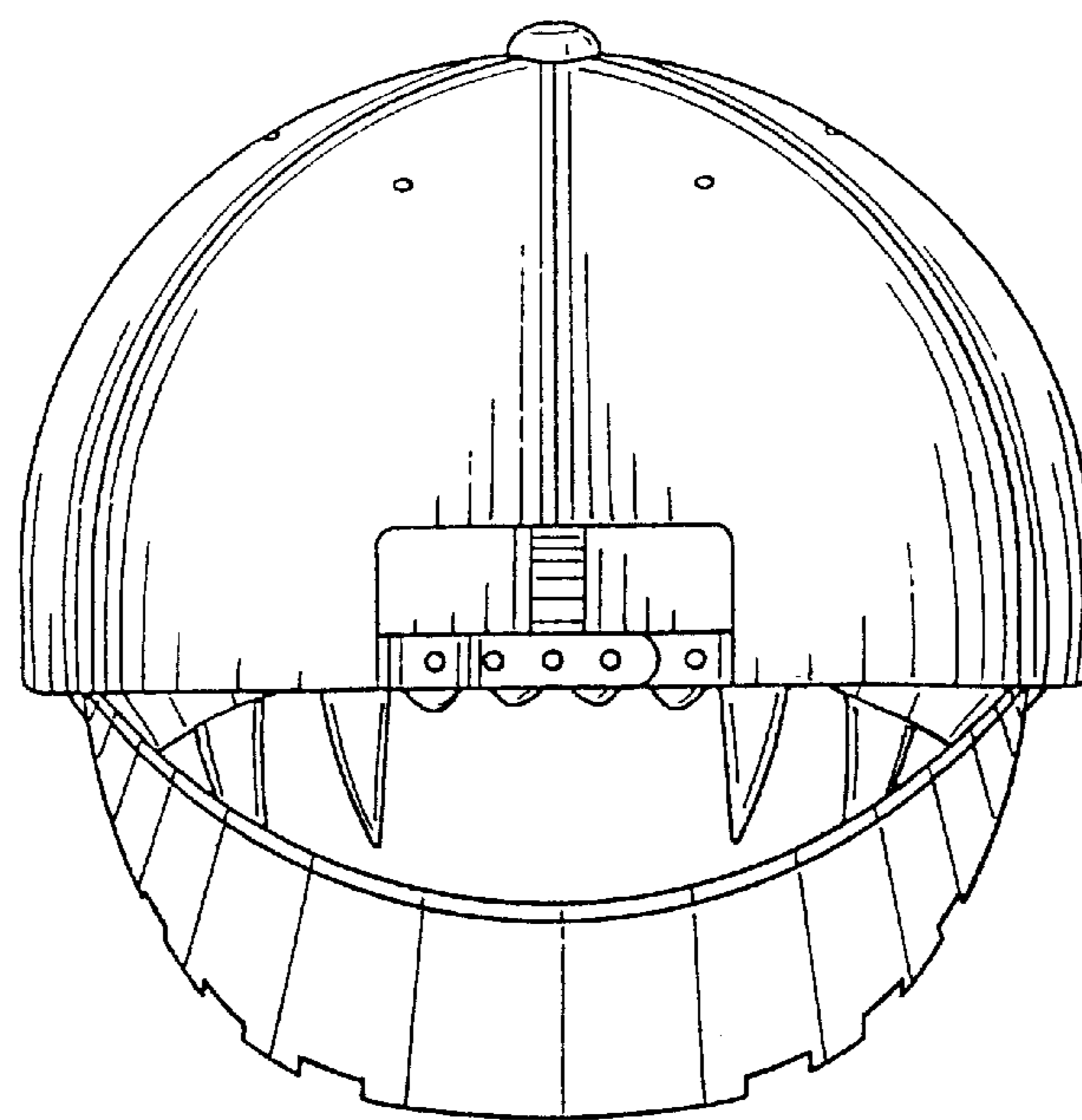


FIG. 3

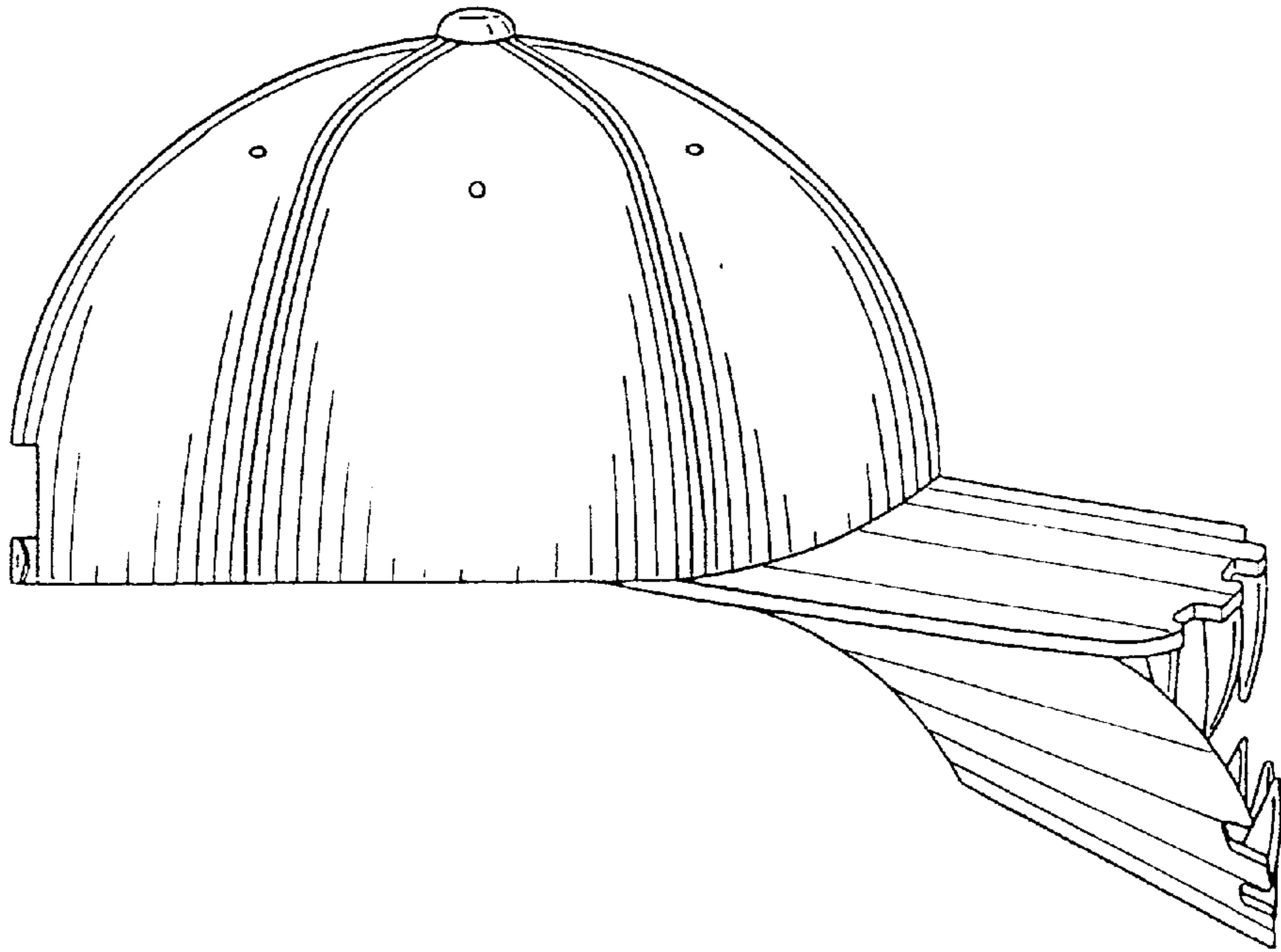


FIG. 4

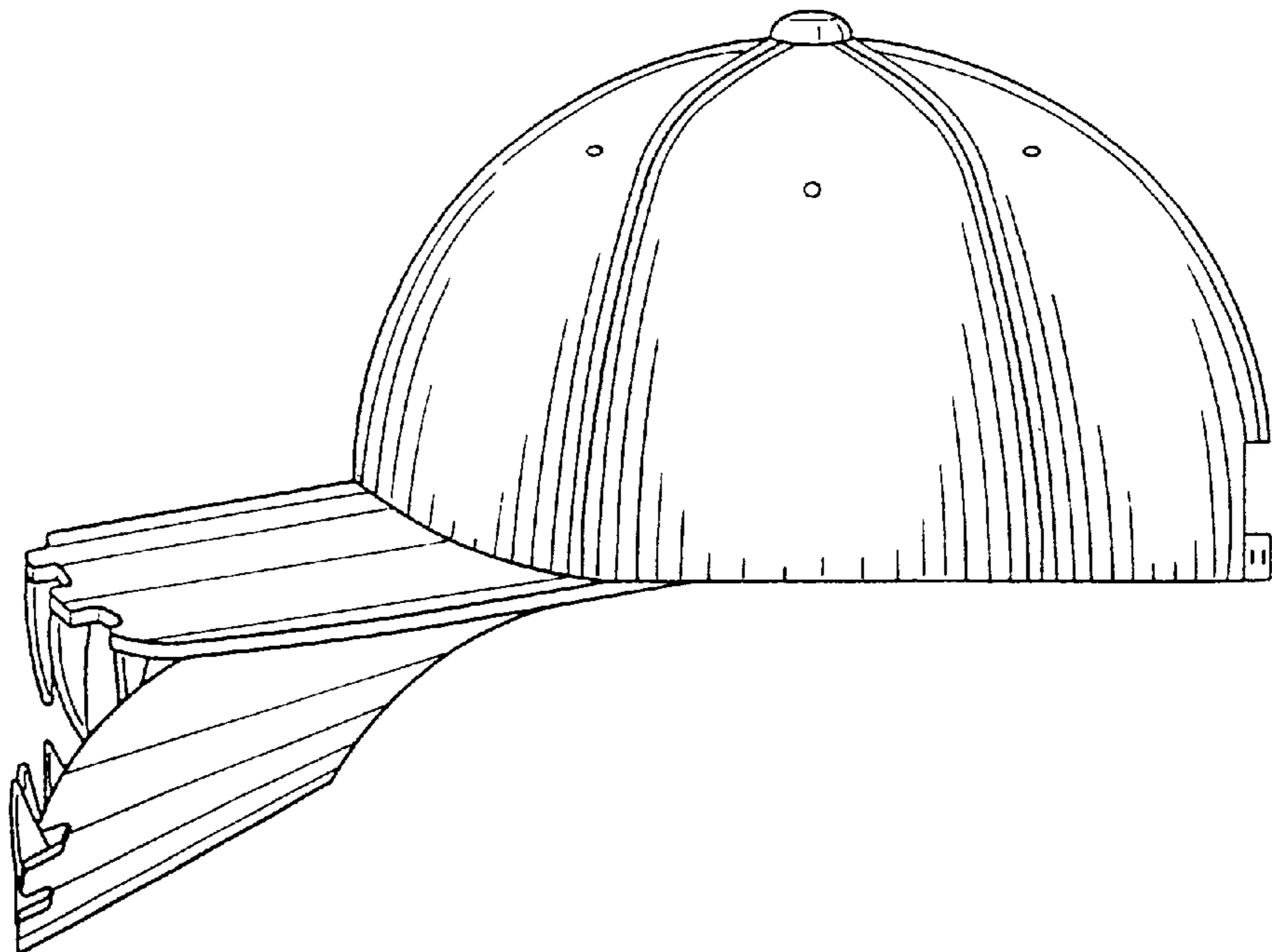


FIG. 5

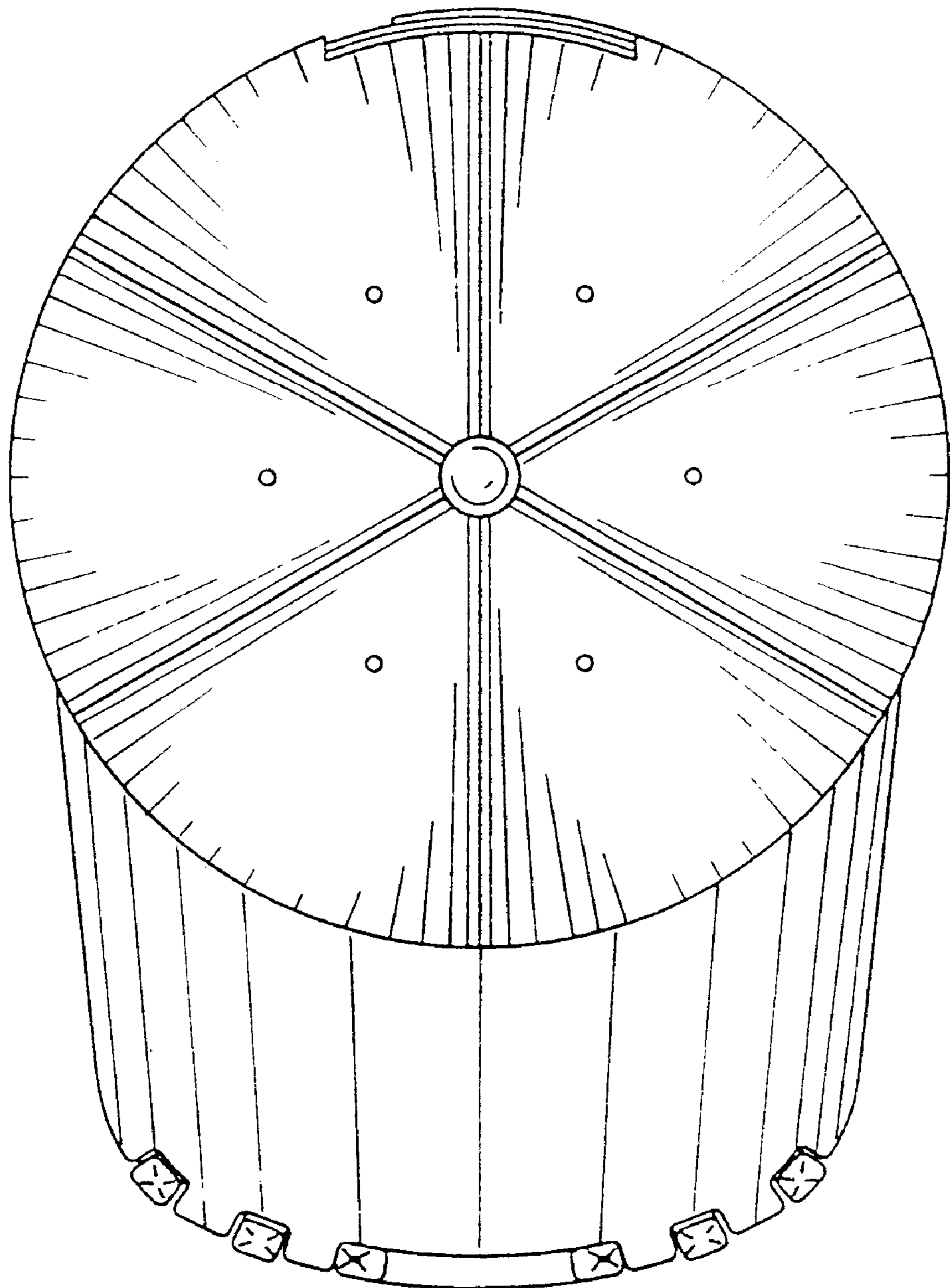


FIG. 6

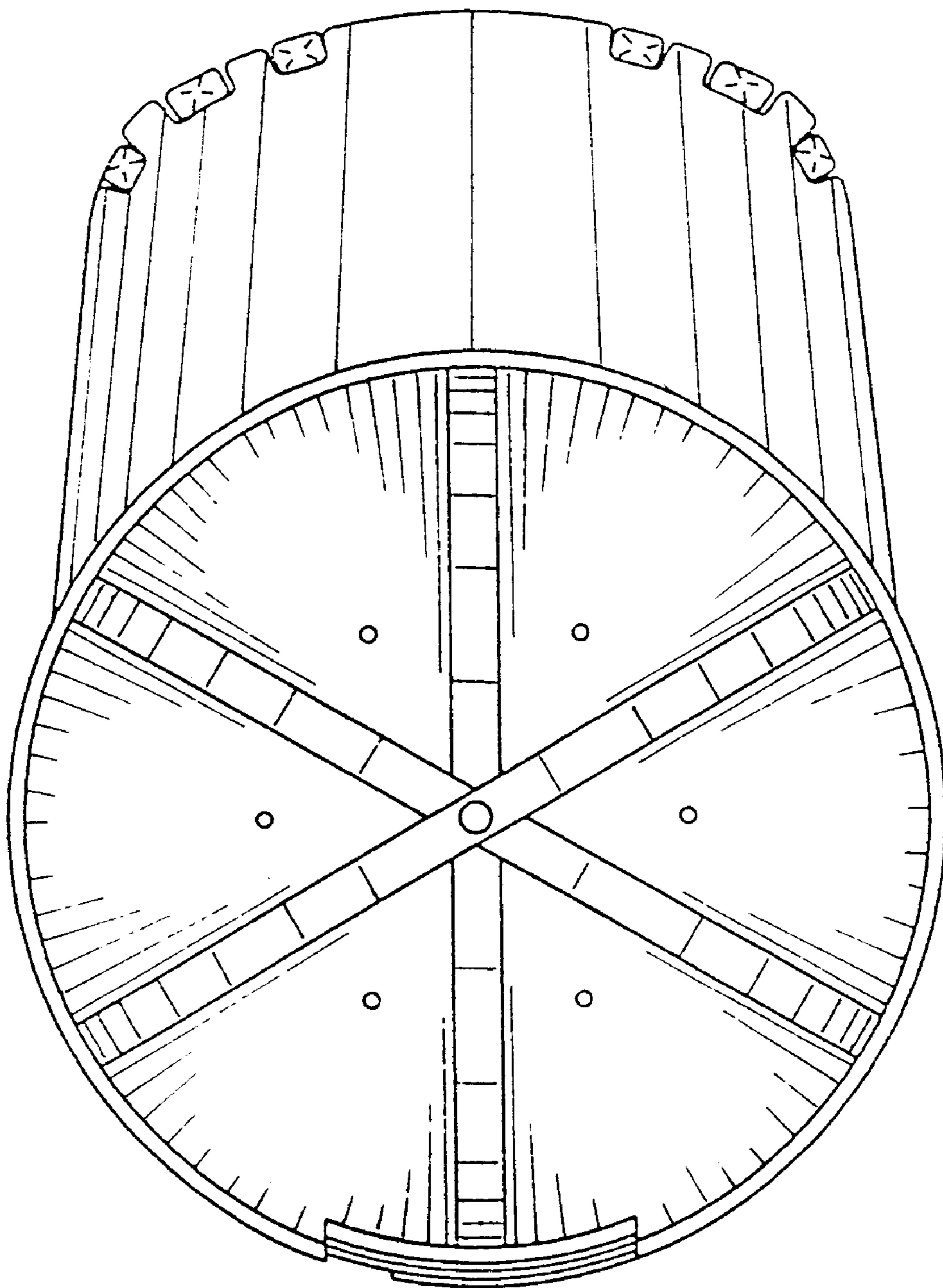


FIG. 7

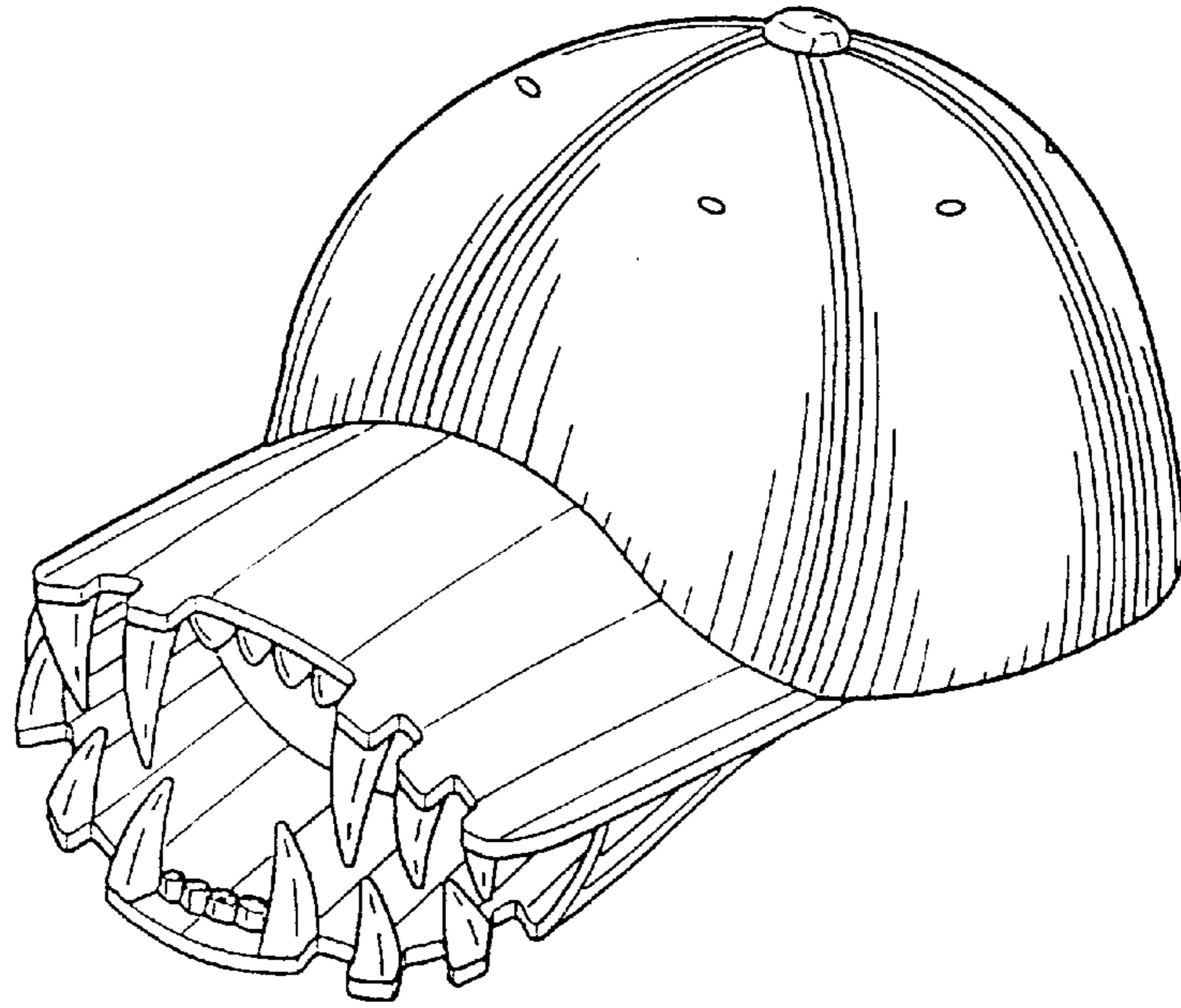


FIG. 8

