



US00D414314S

United States Patent [19]

Tulleners

[11] Patent Number: **Des. 414,314**

[45] Date of Patent: **** Sep. 28, 1999**

[54] **CAP WITH RACE CAR MOTIF**

[76] Inventor: **Robin M. Tulleners**, 31402 Isle Vista, Laguna Niguel, Calif. 92677

[**] Term: **14 Years**

[21] Appl. No.: **29/094,022**

[22] Filed: **Sep. 24, 1998**

[51] **LOC (6) Cl.** **02-03**

[52] **U.S. Cl.** **D2/869; D2/866; D2/895**

[58] **Field of Search** D2/865, 866, 869, D2/870, 871, 873, 895; 2/171, 181, 195.1, 200.3, 209.12; 446/26, 27, 446; D12/88, 92; D21/550

[56] **References Cited**

U.S. PATENT DOCUMENTS

- D. 260,913 9/1981 Chapman D21/550
- D. 268,940 5/1983 Head D21/550
- D. 275,940 10/1984 Ogilvie D21/550 X
- D. 311,038 10/1990 Head D21/550
- D. 372,571 8/1996 Venditto, Jr. D2/869

- D. 400,341 11/1998 House D2/869
- D. 402,232 12/1998 Hayauchi et al. D12/92
- D. 402,595 12/1998 Tamura et al. D12/92
- D. 402,922 12/1998 Singer et al. D12/92

Primary Examiner—Paula A. Mortimer
Attorney, Agent, or Firm—Edgar W. Averill, Jr.

[57] **CLAIM**

The ornamental design for a cap with race car motif, as shown and described.

DESCRIPTION

FIG. 1 is a front perspective view of a cap with race car motif showing my new design, the broken line showing of the cap is for illustrative purposes only and forms no part of the claimed design;

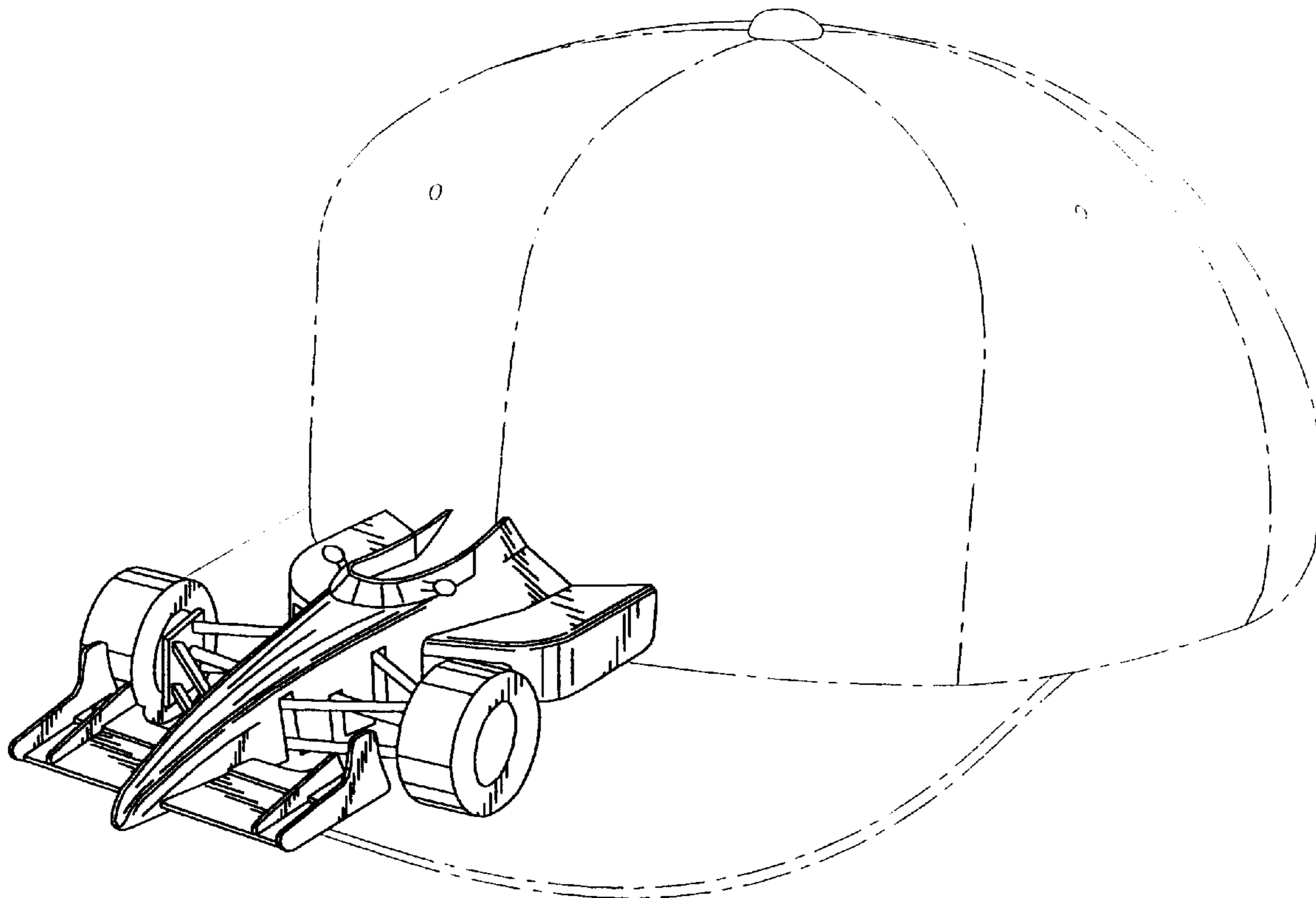
FIG. 2 is an enlarged top plan view, the broken line to the cap is for illustrative purposes only and forms no part of the claimed design;

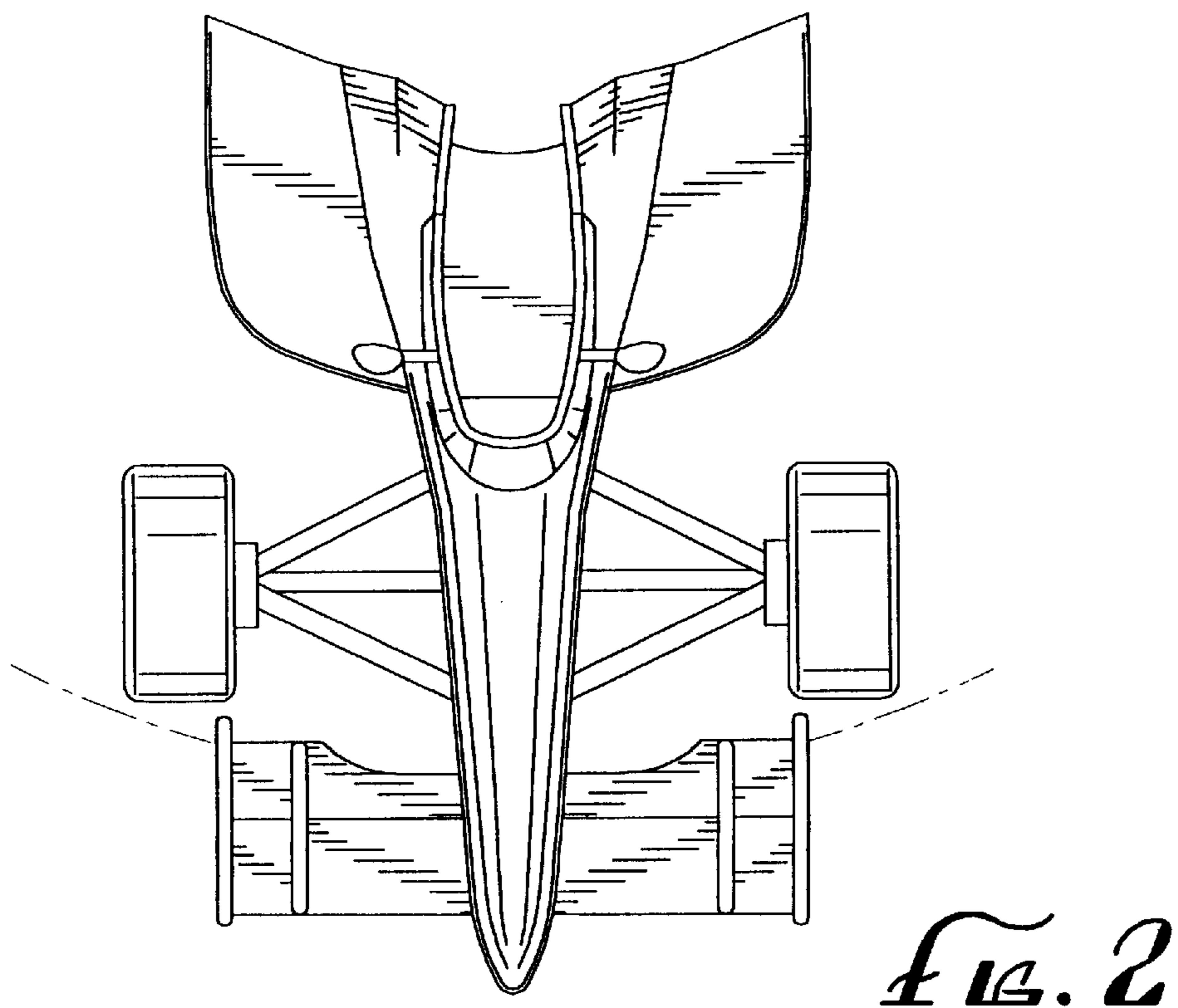
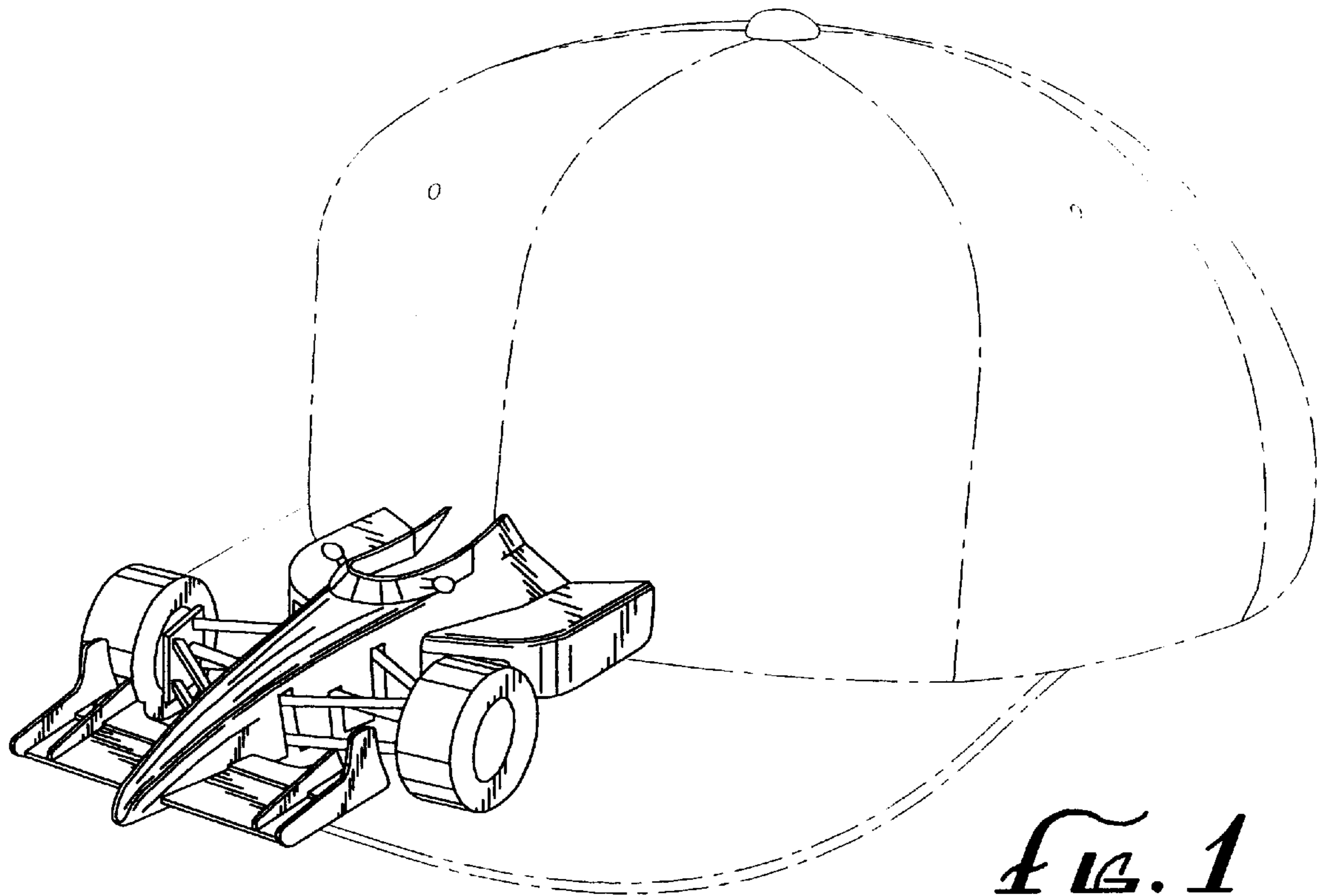
FIG. 3 is a front view thereof;

FIG. 4 is a right side view thereof; and,

FIG. 5 is a bottom view thereof.

1 Claim, 2 Drawing Sheets





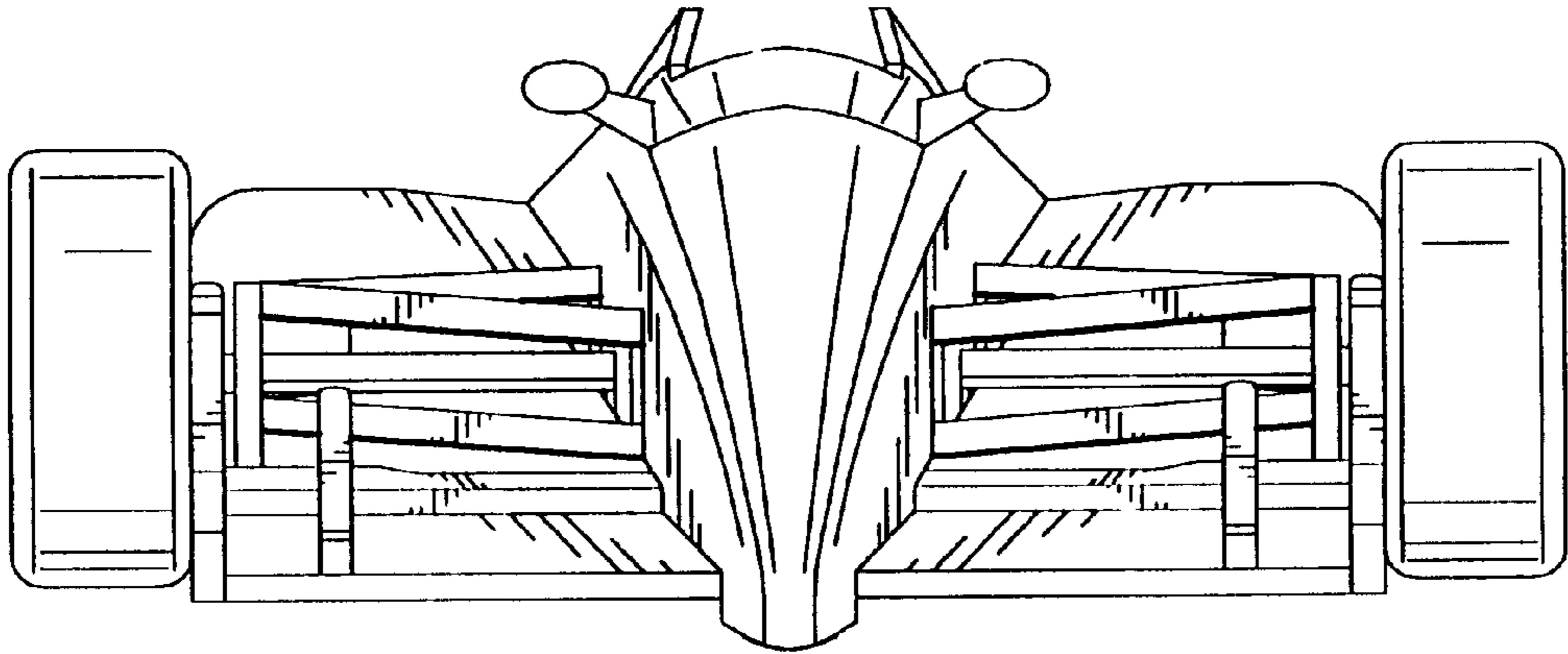


FIG. 3

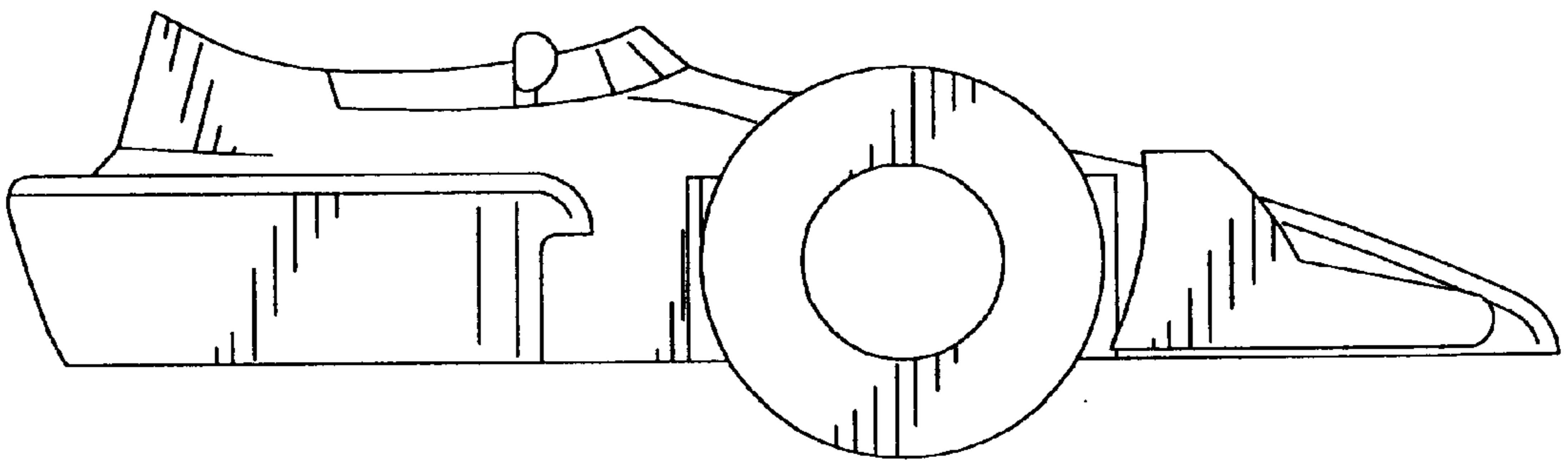


FIG. 4

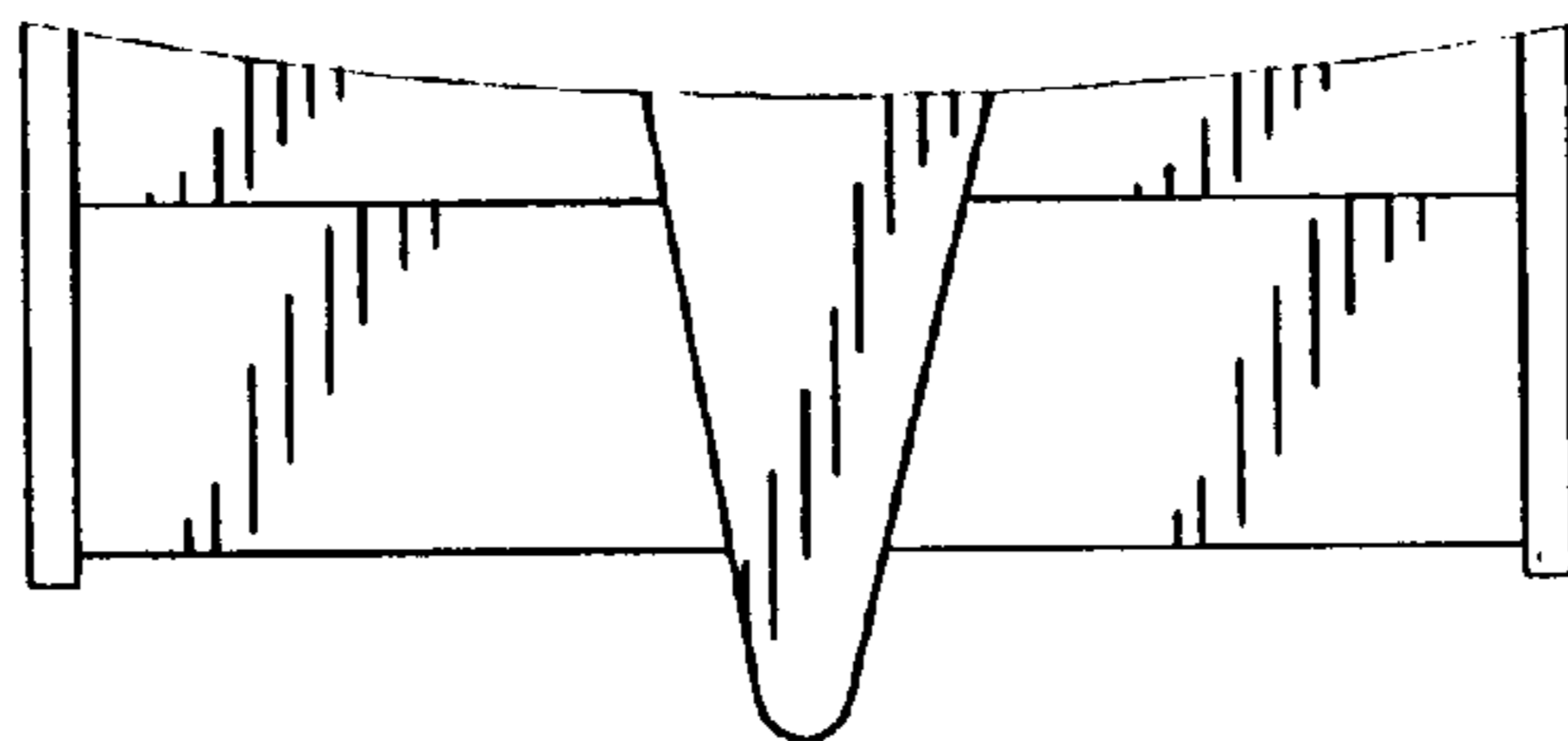


FIG. 5