



US00D414311S

**United States Patent** [19]  
**Westmoreland**

[11] **Patent Number: Des. 414,311**  
[45] **Date of Patent: \*\* Sep. 28, 1999**

[54] **HUNTER'S GLOVE WITH CALL**  
[75] Inventor: **Thomas W. Westmoreland**, Fulton,  
Miss.  
[73] Assignee: **Thomas Wade Westmoreland**, Fulton,  
Miss.  
[\*\*] Term: **14 Years**  
[21] Appl. No.: **29/086,997**  
[22] Filed: **Apr. 24, 1998**  
[51] **LOC (6) Cl.** ..... **02-06**  
[52] **U.S. Cl.** ..... **D02/614; D29/117**  
[58] **Field of Search** ..... D29/113, 117,  
D29/122, 123; D2/610, 614, 615, 617,  
623; D28/63; D21/753, 758; 2/20, 160,  
161.1, 161.2, 161.3, 161.5, 163, 161.6,  
159; 15/227; 446/207-209

5,643,039 7/1997 McIntyre ..... 446/208

**FOREIGN PATENT DOCUMENTS**

18891 11/1889 United Kingdom ..... 2/160

**OTHER PUBLICATIONS**

Grainger Safety Equipment catalog, p. 28, items D & E:  
"KSR Vinyl Coated Knit Lined Gloves" and "Knit-Rite Plus  
Vinyl Coated, Air Conditioned Gloves", Sep. 1988.

*Primary Examiner*—Doris Clark  
*Assistant Examiner*—Robert A. Delehanty  
*Attorney, Agent, or Firm*—David L. Volk

[57] **CLAIM**

The ornamental design for a hunter's glove with call, as  
shown and described.

**DESCRIPTION**

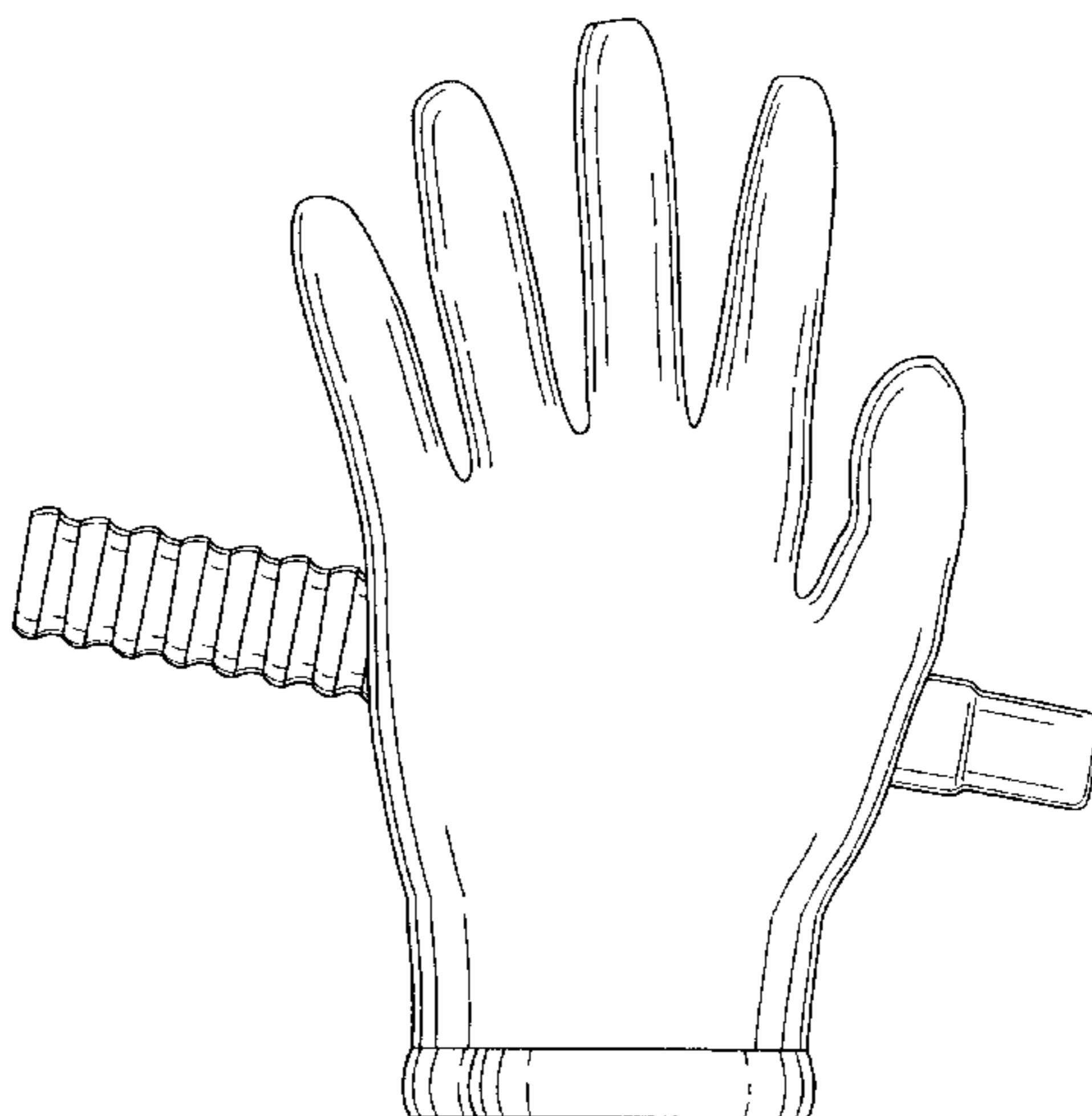
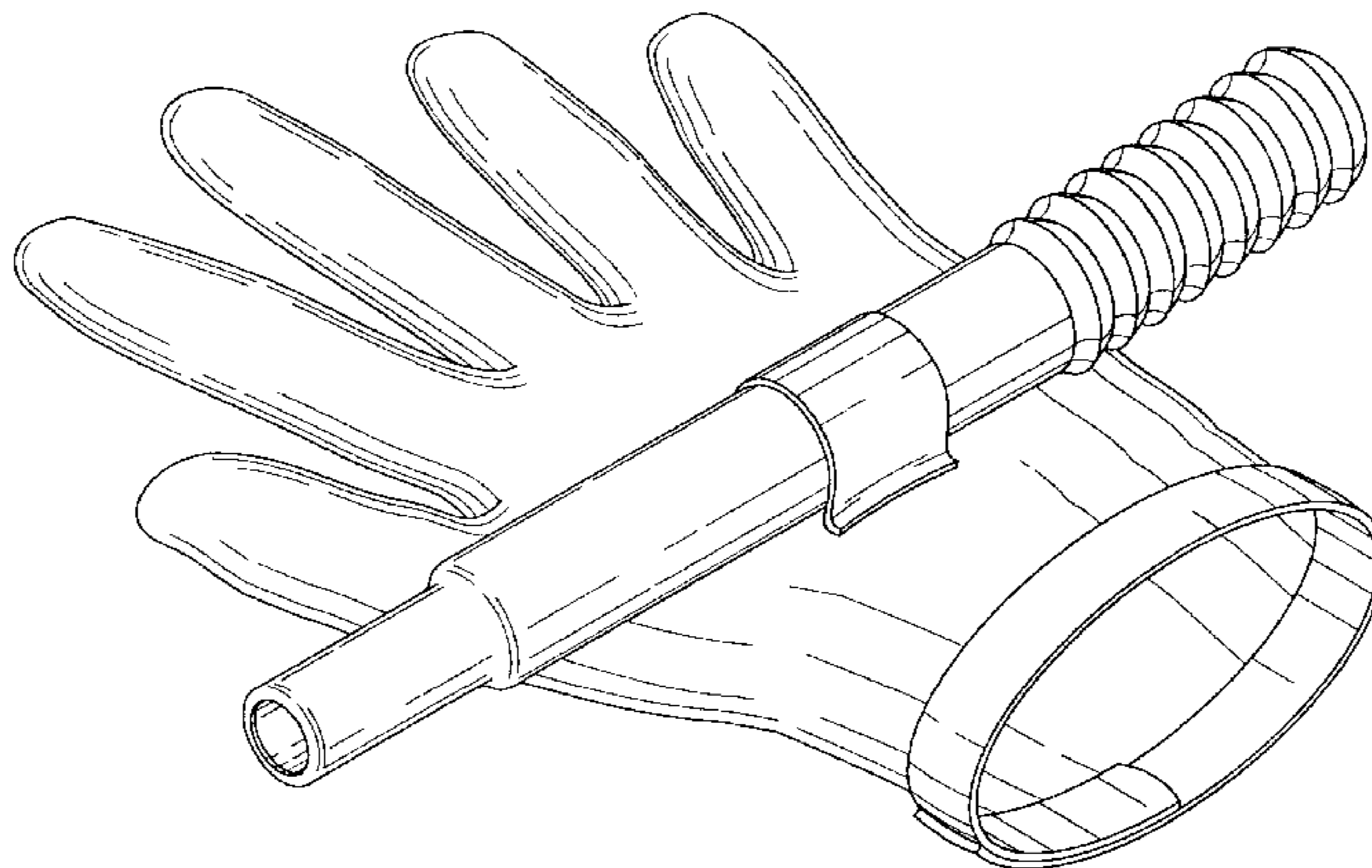
FIG. 1 is a perspective view of a hunter's glove with call  
showing my new design;  
FIG. 2 is a right elevational view thereof;  
FIG. 3 is a left side elevational view thereof;  
FIG. 4 is a top plan view thereof;  
FIG. 5 is a bottom plan view thereof;  
FIG. 6 is a front elevational view thereof; and,  
FIG. 7 is a rear elevational view thereof.

[56] **References Cited**

**U.S. PATENT DOCUMENTS**

D. 359,154	6/1995	Goodson	.....	D2/614
D. 404,888	2/1999	Arredondo, Jr.	.....	D2/614
2,282,056	5/1942	Hoeflich	.....	446/209
2,294,997	9/1942	Merrion	.....	2/160
5,088,121	2/1992	Wallace	.....	2/163
5,276,922	1/1994	Floyed, Jr.	.....	2/160

**1 Claim, 4 Drawing Sheets**



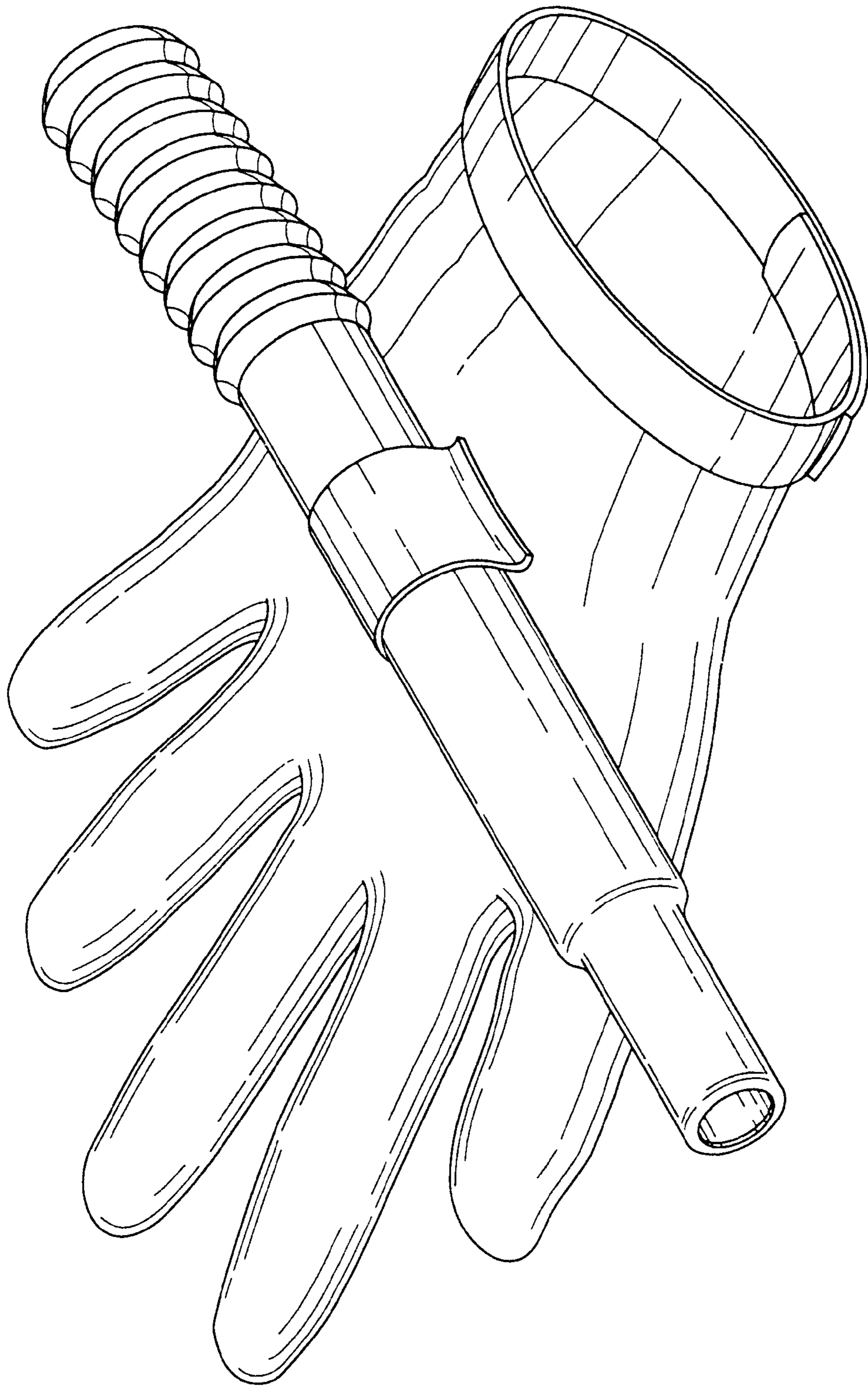
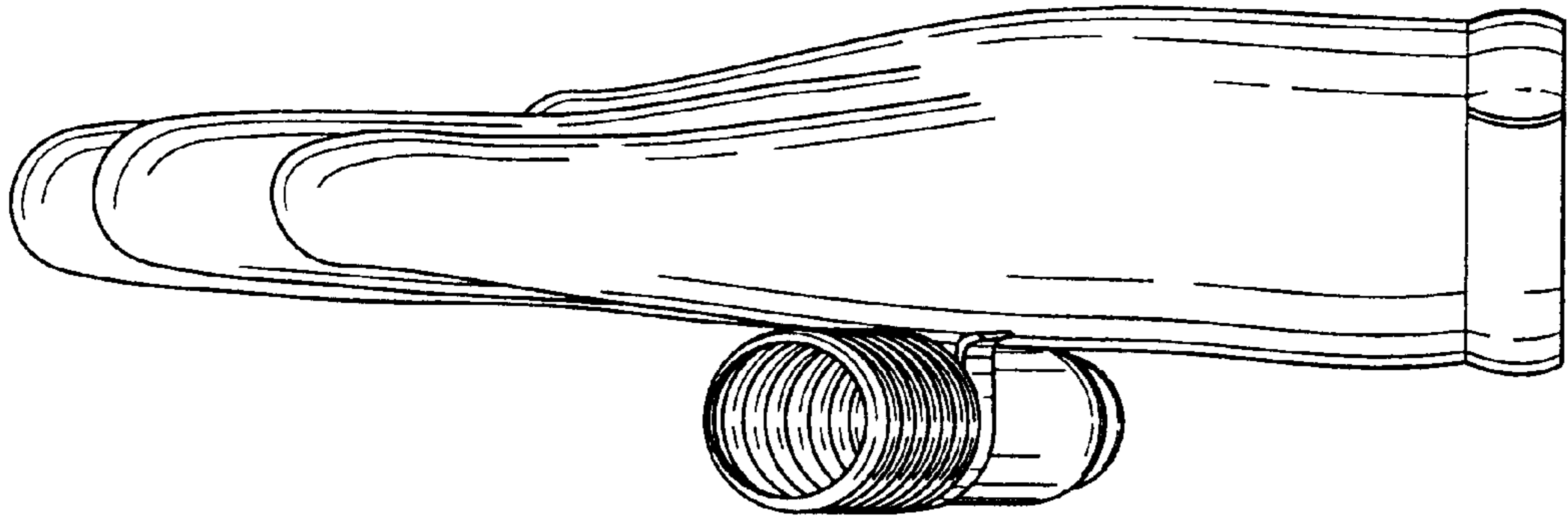
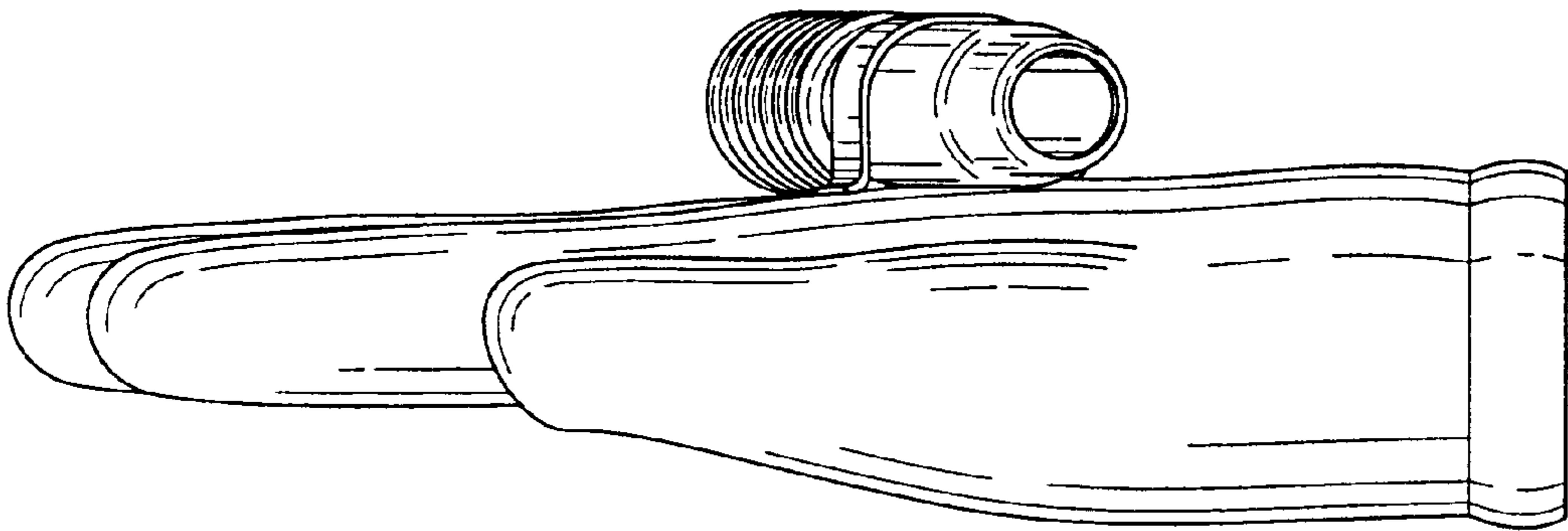


Fig. 1



**Fig. 3**



**Fig. 2**

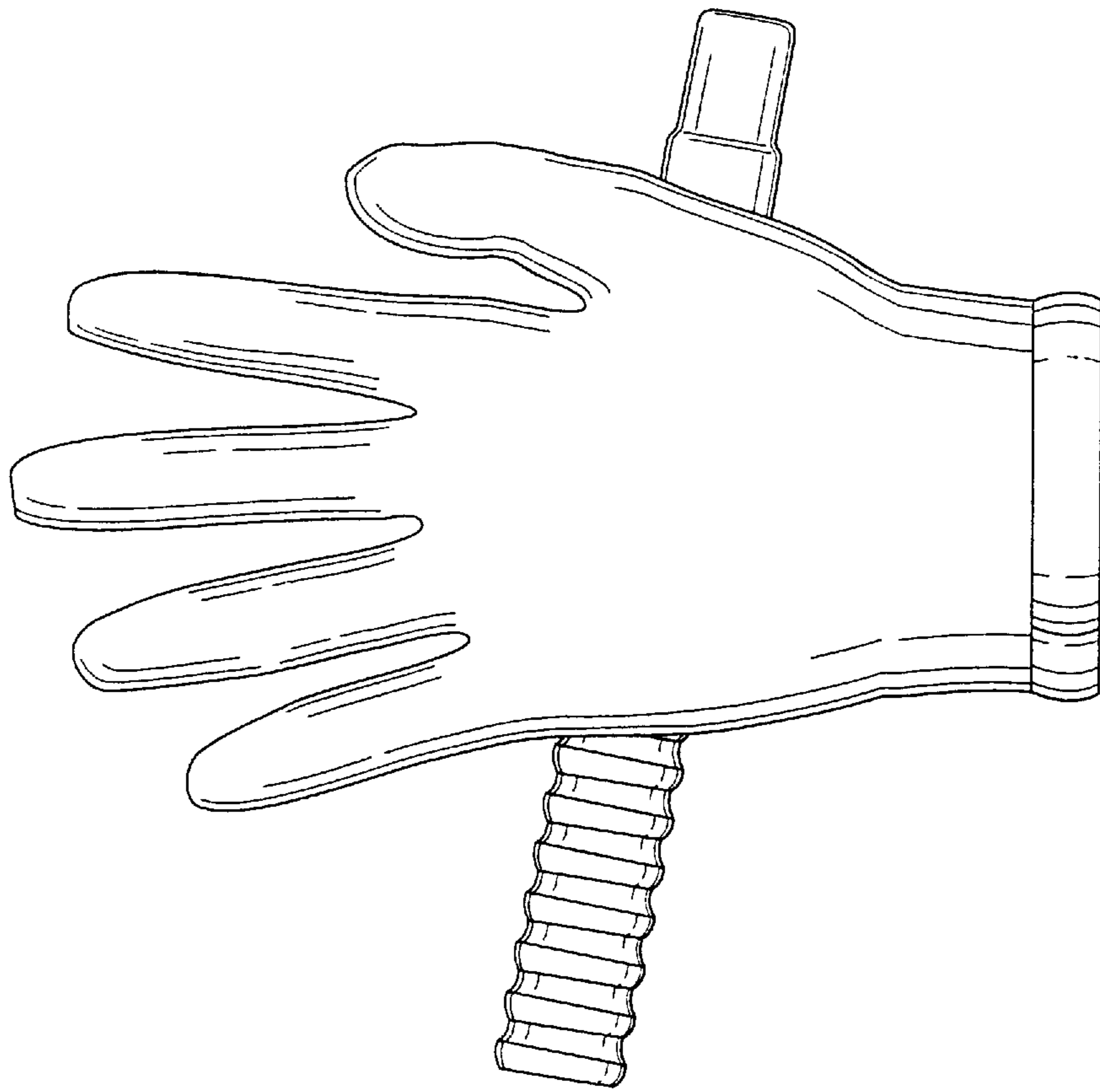


Fig. 5

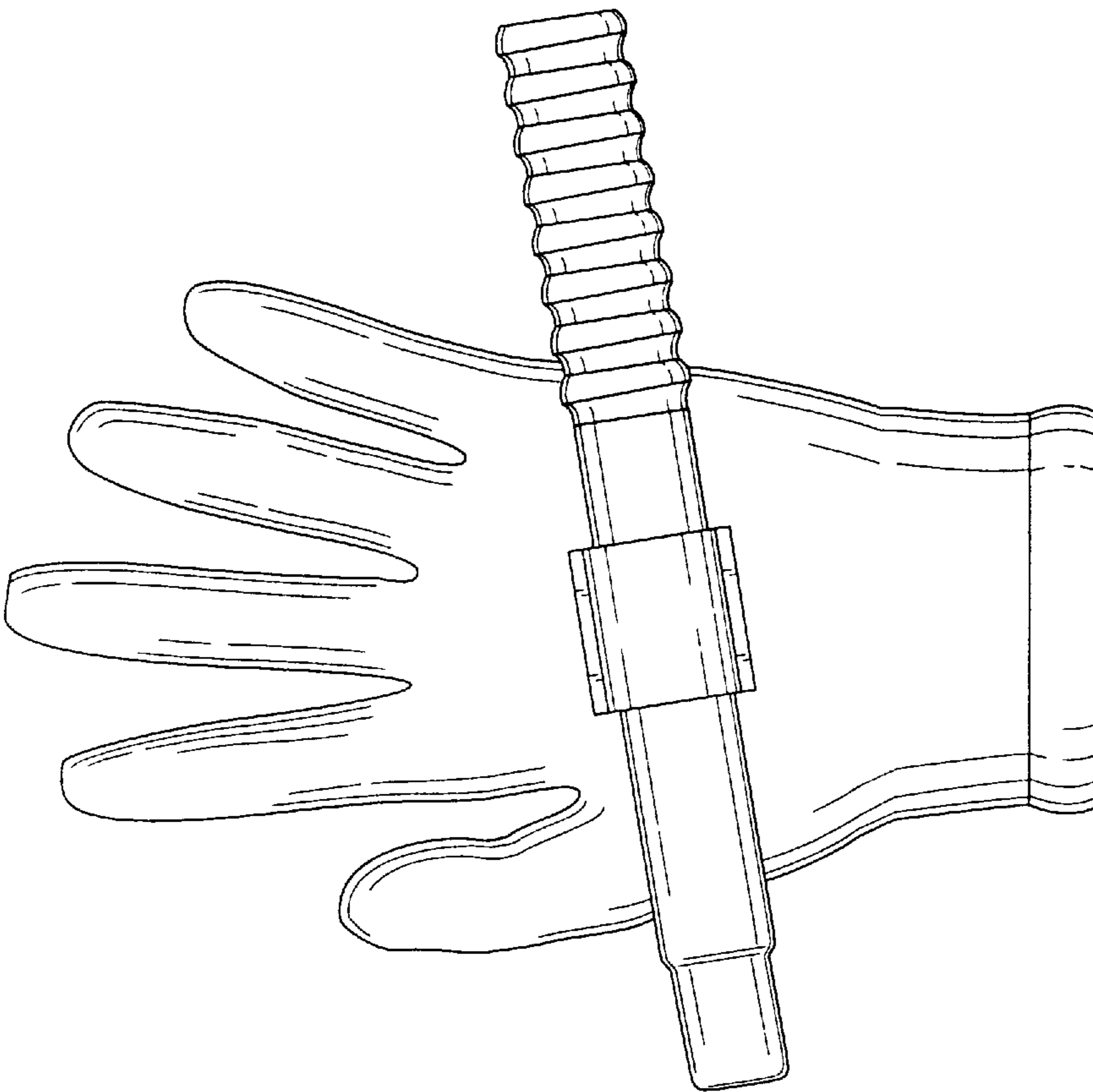
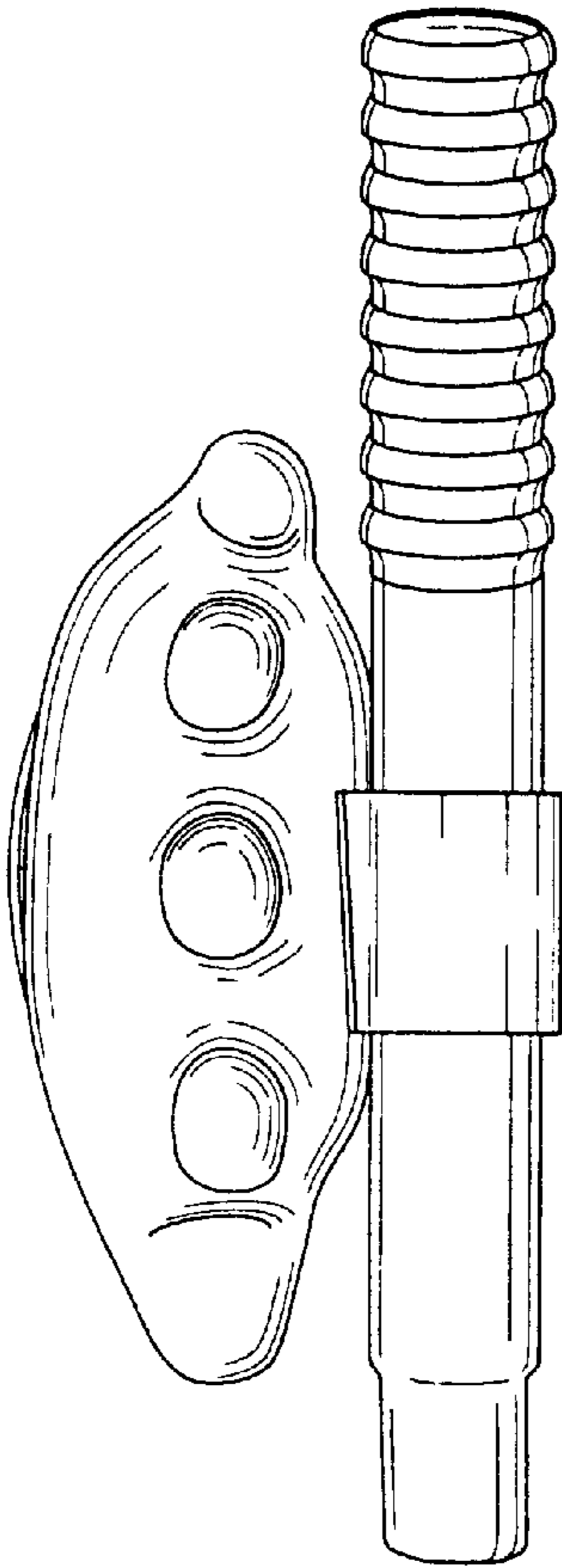
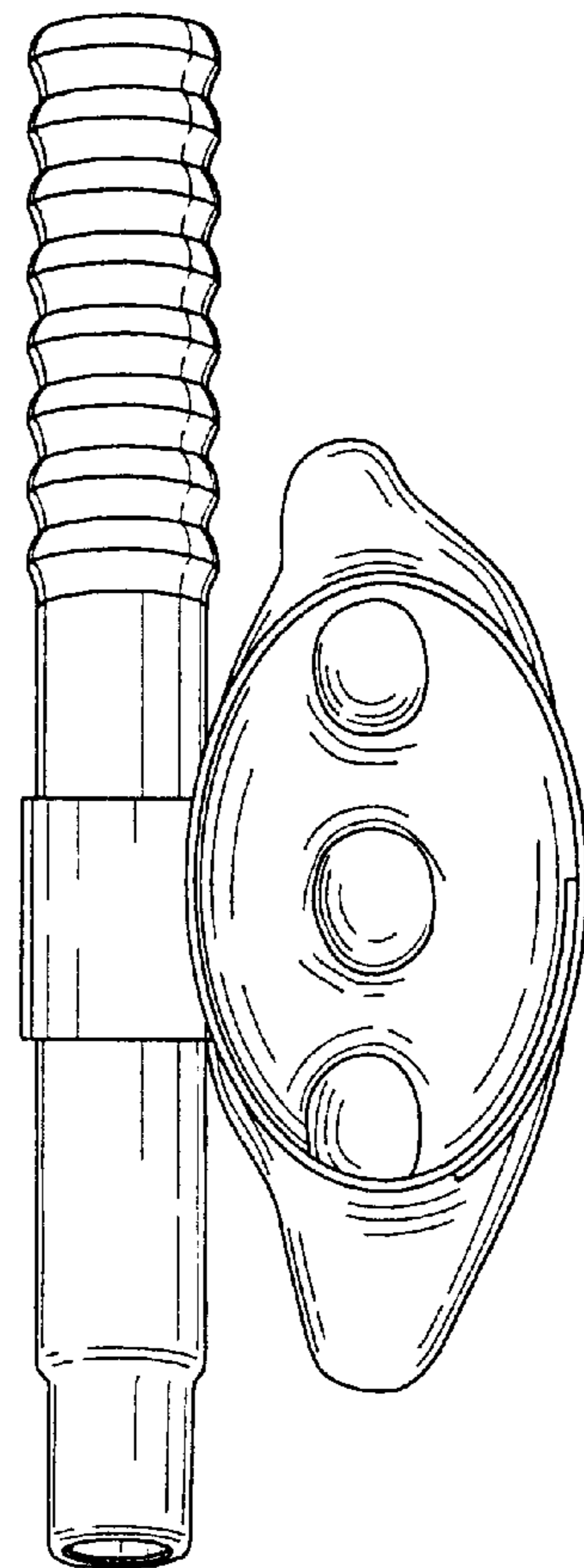


Fig. 4



**Fig. 6**



**Fig. 7**