



US00D414305S

United States Patent [19]

Rohn et al.

[11] **Patent Number: Des. 414,305**

[45] **Date of Patent: ** Sep. 21, 1999**

[54] **DOLLY FOR A VACUUM CLEANER**

[75] Inventors: **Dean Robert Rohn; Roy Oliver Erickson; Stephen John Wood; John J. Alberts, III**, all of Cadillac; **Alan Joseph Krebs**, Stanwood, all of Mich.; **Mark Christopher Bates**, Bellingham; **John Carl Costello**, Wellesley, both of Mass.

[73] Assignee: **Rexair, Inc.**, Troy, Mich.

[**] Term: **14 Years**

[21] Appl. No.: **29/083,411**

[22] Filed: **Feb. 4, 1998**

[51] **LOC (6) Cl.** **15-05**

[52] **U.S. Cl.** **D32/31; D34/23**

[58] **Field of Search** D32/1, 21, 23, D32/31; 15/327.1, 327.2, 327.3, 327.4, 327.5, 327.6, 327.7, 323, 336; D34/23; D12/132

[56] **References Cited**

U.S. PATENT DOCUMENTS

D. 123,691 11/1940 Dow et al. D32/31

D. 276,948	12/1984	Wacek et al.	D34/23
D. 296,945	7/1988	Erickson, Jr.	D32/23
D. 362,091	9/1995	Tomasiak et al.	D32/23
D. 372,567	8/1996	Moine et al.	D32/23
D. 373,862	9/1996	Stephens et al.	D32/23
D. 384,448	9/1997	Stephens et al.	D32/23
4,993,104	2/1991	Kasper et al.	15/319
5,515,573	5/1996	Frey	15/327.2

Primary Examiner—Ruth McInroy
Attorney, Agent, or Firm—Howard & Howard

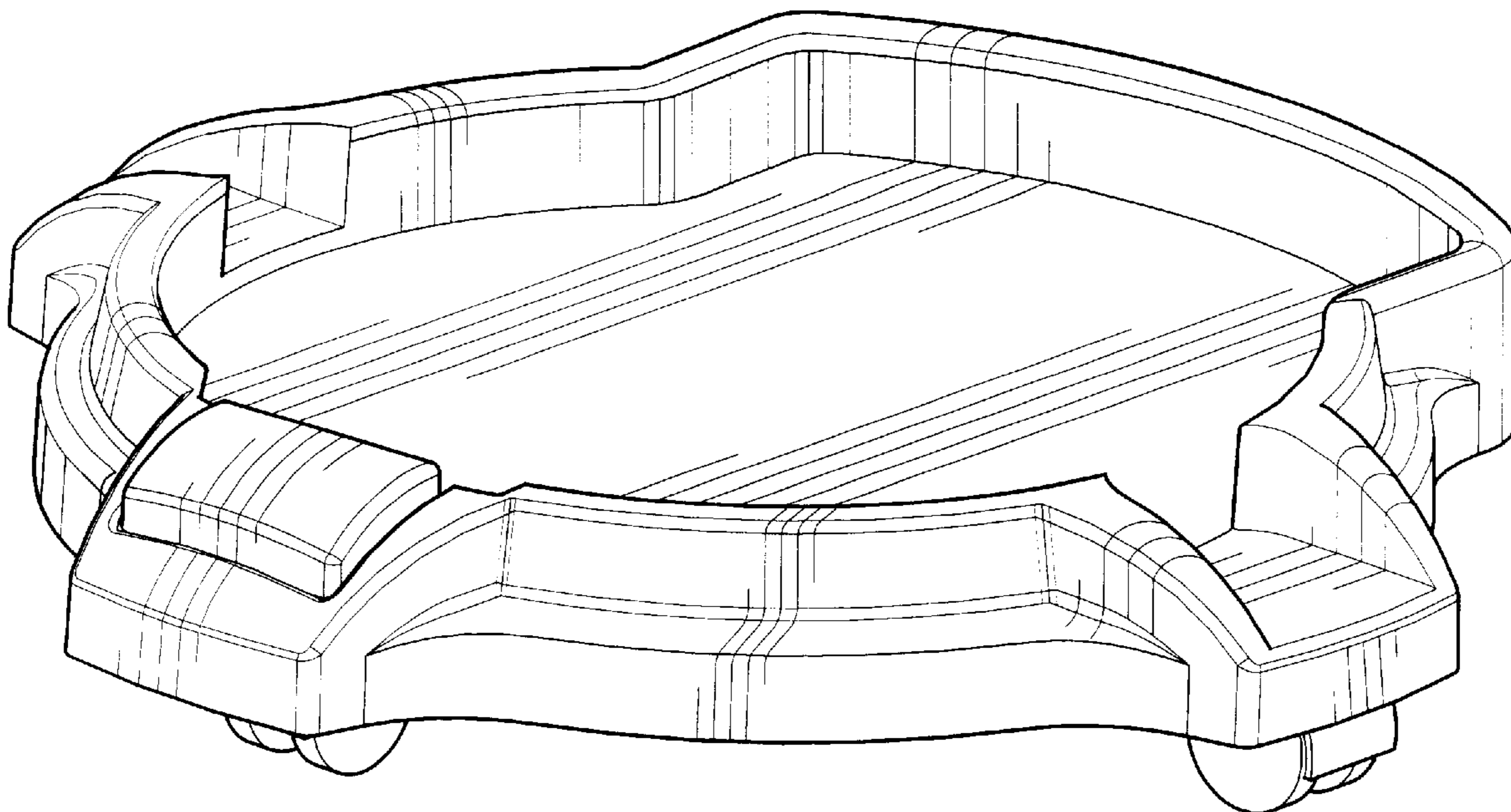
[57] **CLAIM**

The ornamental dolly for a vacuum cleaner, as shown and described.

DESCRIPTION

FIG. 1 is a perspective view of a dolly for a vacuum cleaner showing our new design;
FIG. 2 is a front elevational view thereof;
FIG. 3 is a side elevational view thereof;
FIG. 4 is a rear elevational view thereof;
FIG. 5 is a top plan view thereof; and,
FIG. 6 is a bottom plan view thereof.

1 Claim, 3 Drawing Sheets



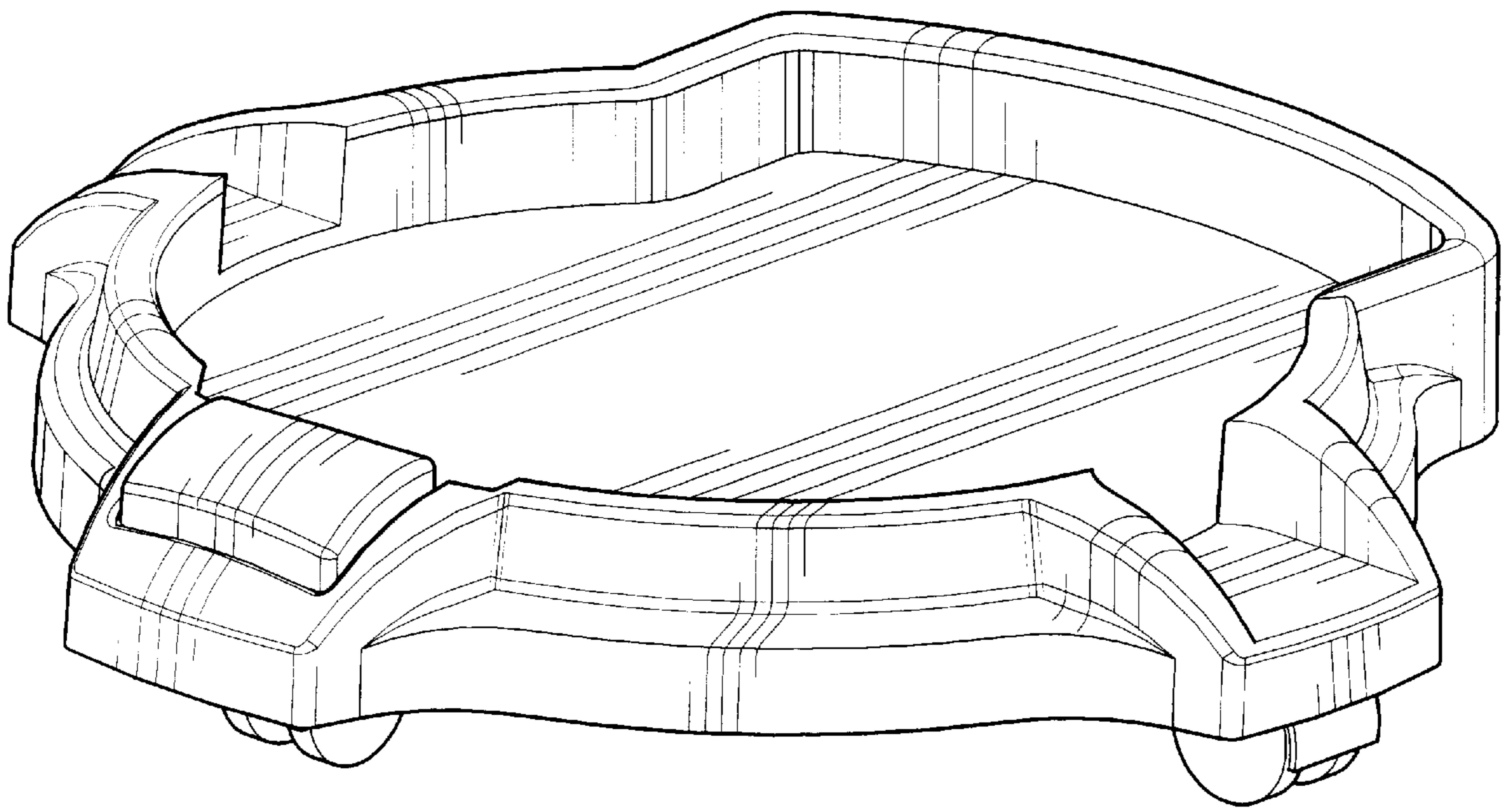


Fig-1

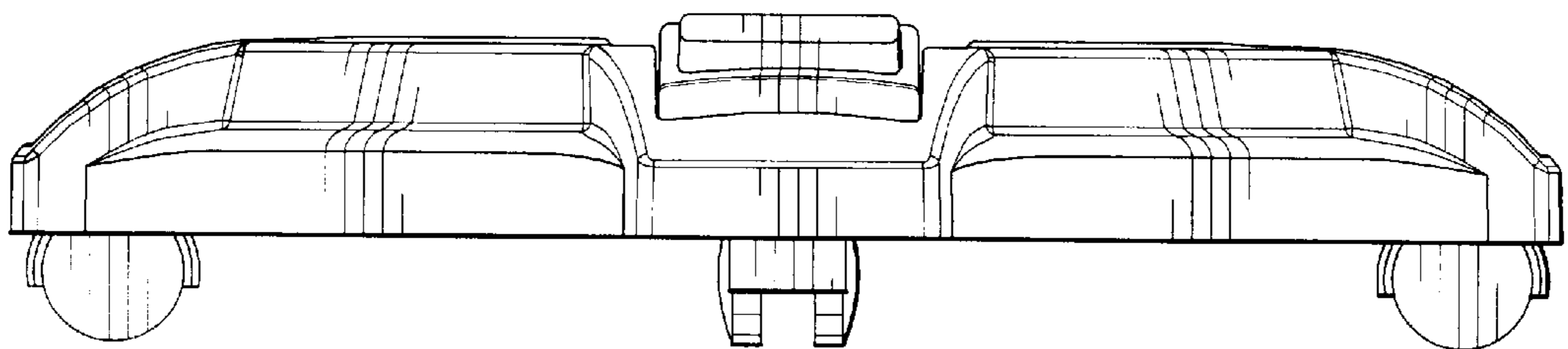


Fig-2

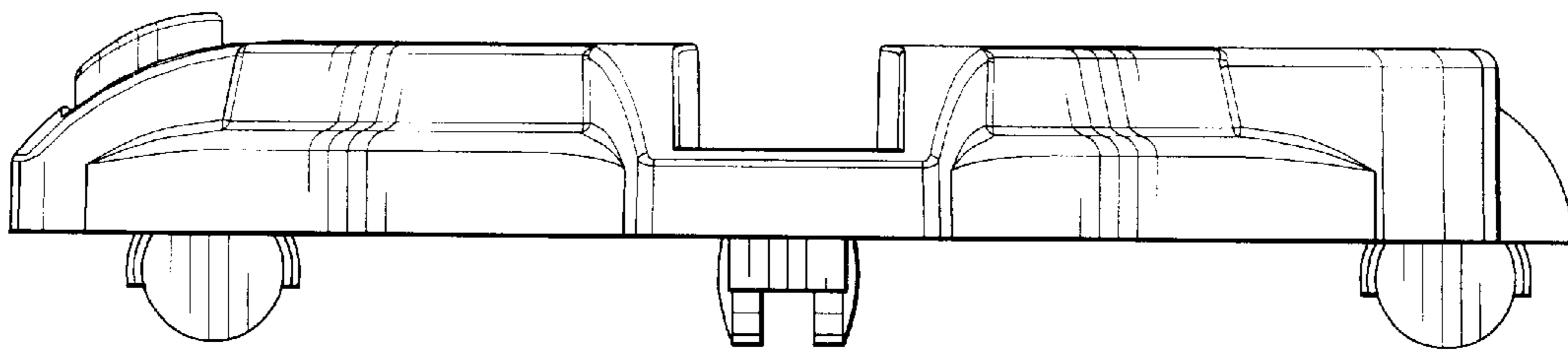


Fig-3

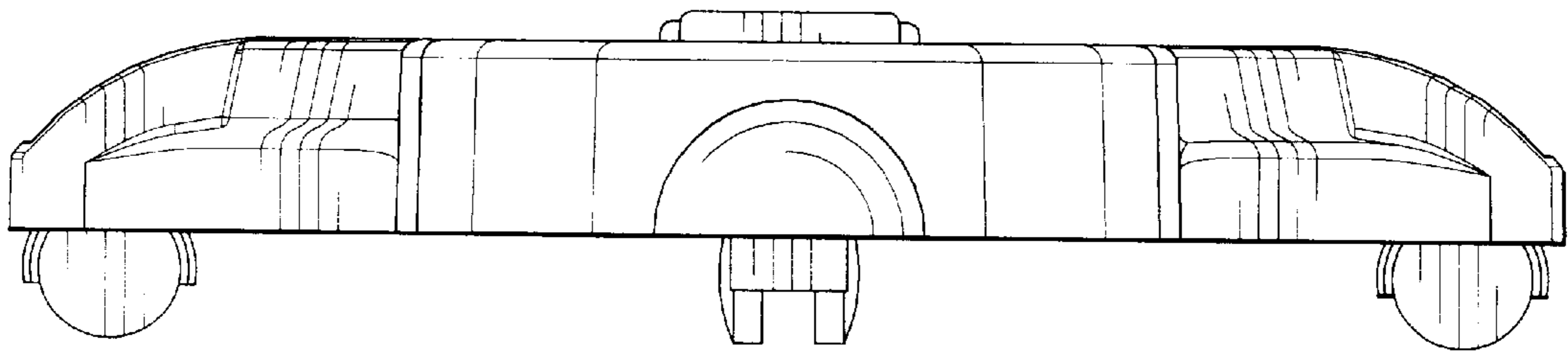


Fig-4

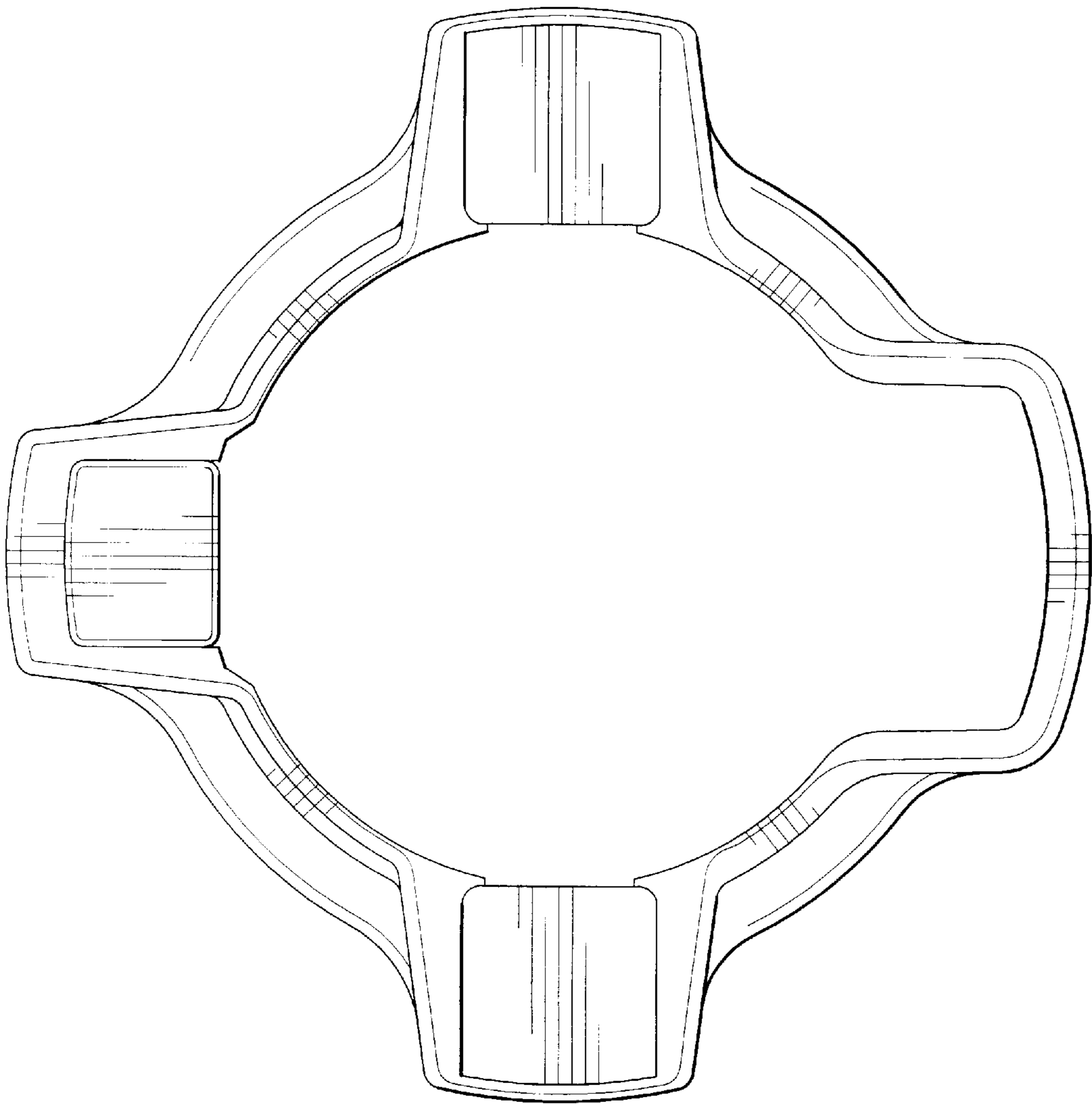


Fig-5

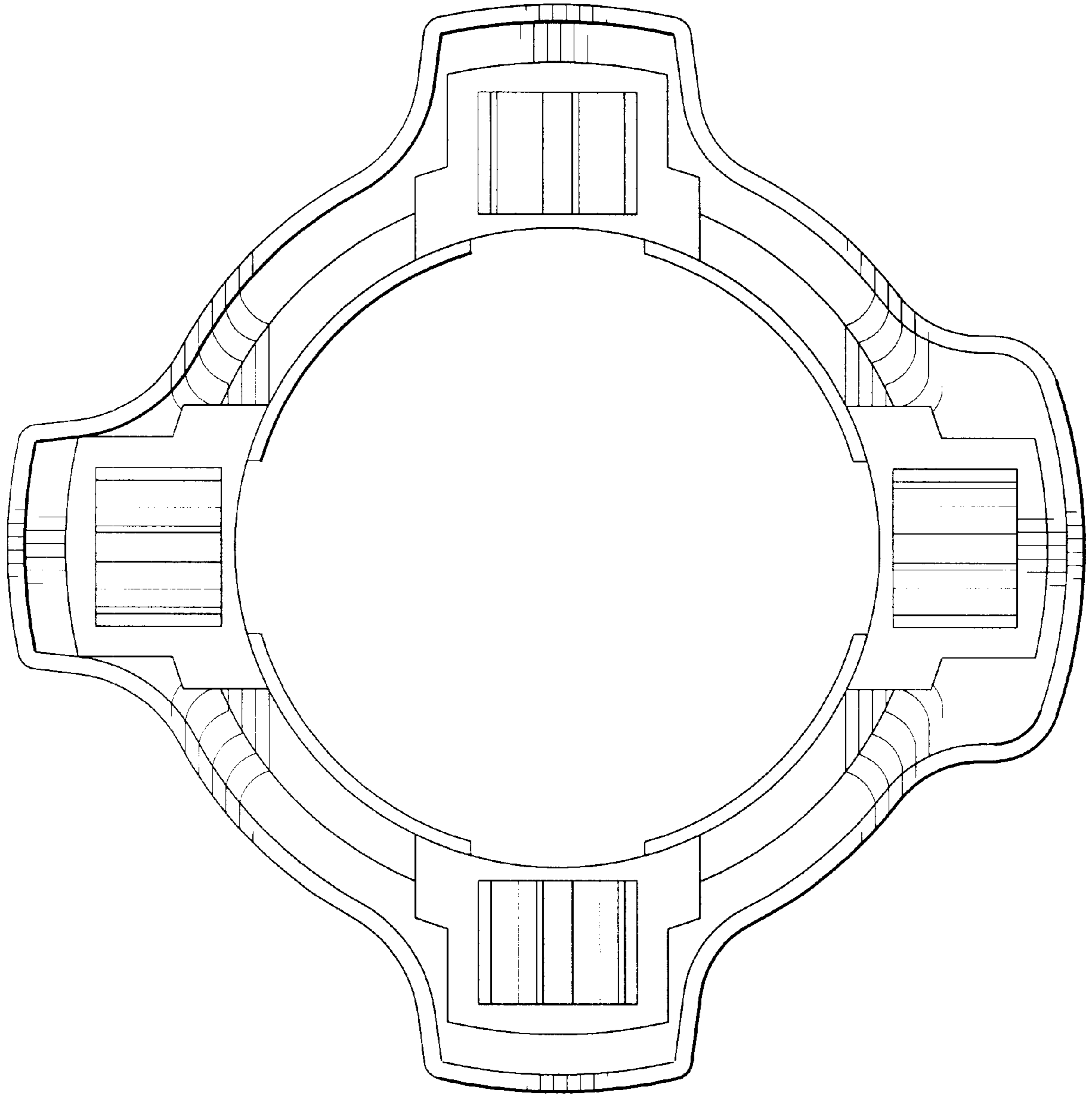


Fig-6