



US00D414304S

United States Patent [19] Schumaier

[11] Patent Number: Des. 414,304

[45] Date of Patent: ** Sep. 21, 1999

[54] HEARING AID DRYING APPLIANCE

[76] Inventor: Daniel R. Schumaier, 1548 Blue Springs Rd., Elizabethton, Tenn. 37643

[**] Term: 14 Years

[21] Appl. No.: 29/079,125

[22] Filed: Nov. 10, 1997

[51] LOC (6) Cl. 15-05

[52] U.S. Cl. D32/1

[58] Field of Search D32/1, 8; 34/219, 34/80, 225, 218; D6/432, 440, 441, 443, 448-509, 433, 336; 206/278.1; D3/272, 273; 190/19

[56] **References Cited**

U.S. PATENT DOCUMENTS

| | | | | |
|------------|---------|---------|-------|--------|
| D. 5,271 | 9/1871 | Woley | | D6/443 |
| D. 59,862 | 11/1921 | Paletou | | D6/443 |
| 130,023 | 7/1872 | Crane | . | |
| D. 154,419 | 7/1949 | Mushta | | D6/440 |

| | | | | |
|------------|---------|-----------|-------|--------|
| D. 332,332 | 1/1993 | Markey | | D34/1 |
| D. 364,468 | 11/1995 | Maple | | D25/16 |
| D. 365,154 | 12/1995 | Maple | | D25/16 |
| D. 402,134 | 12/1998 | Shrader | | D6/440 |
| 5,640,783 | 6/1997 | Schumaier | | 34/219 |
| 5,852,879 | 12/1998 | Schumaier | | 34/80 |

Primary Examiner—Ruth McInroy
Attorney, Agent, or Firm—Shoemaker and Mattare, Ltd.

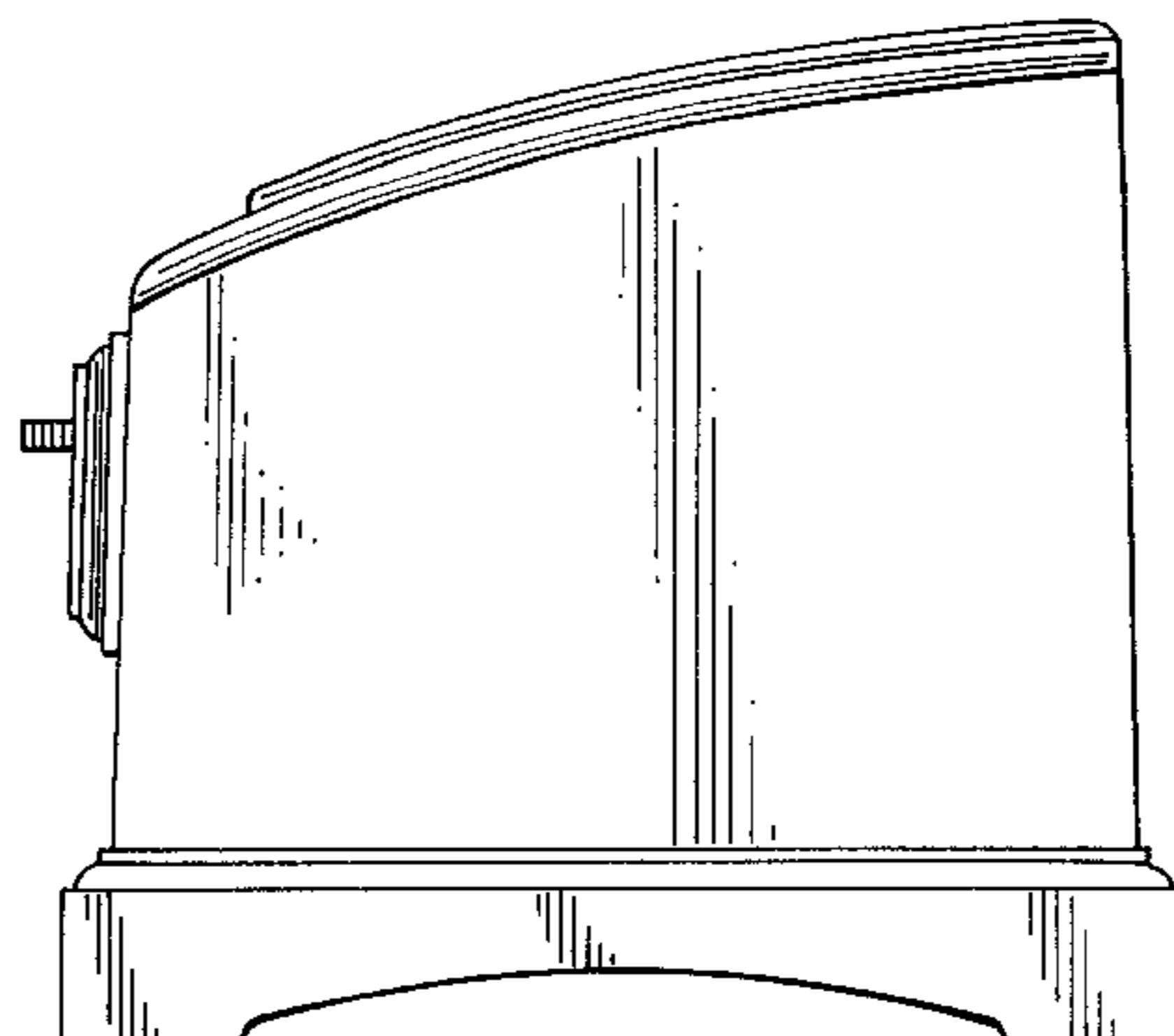
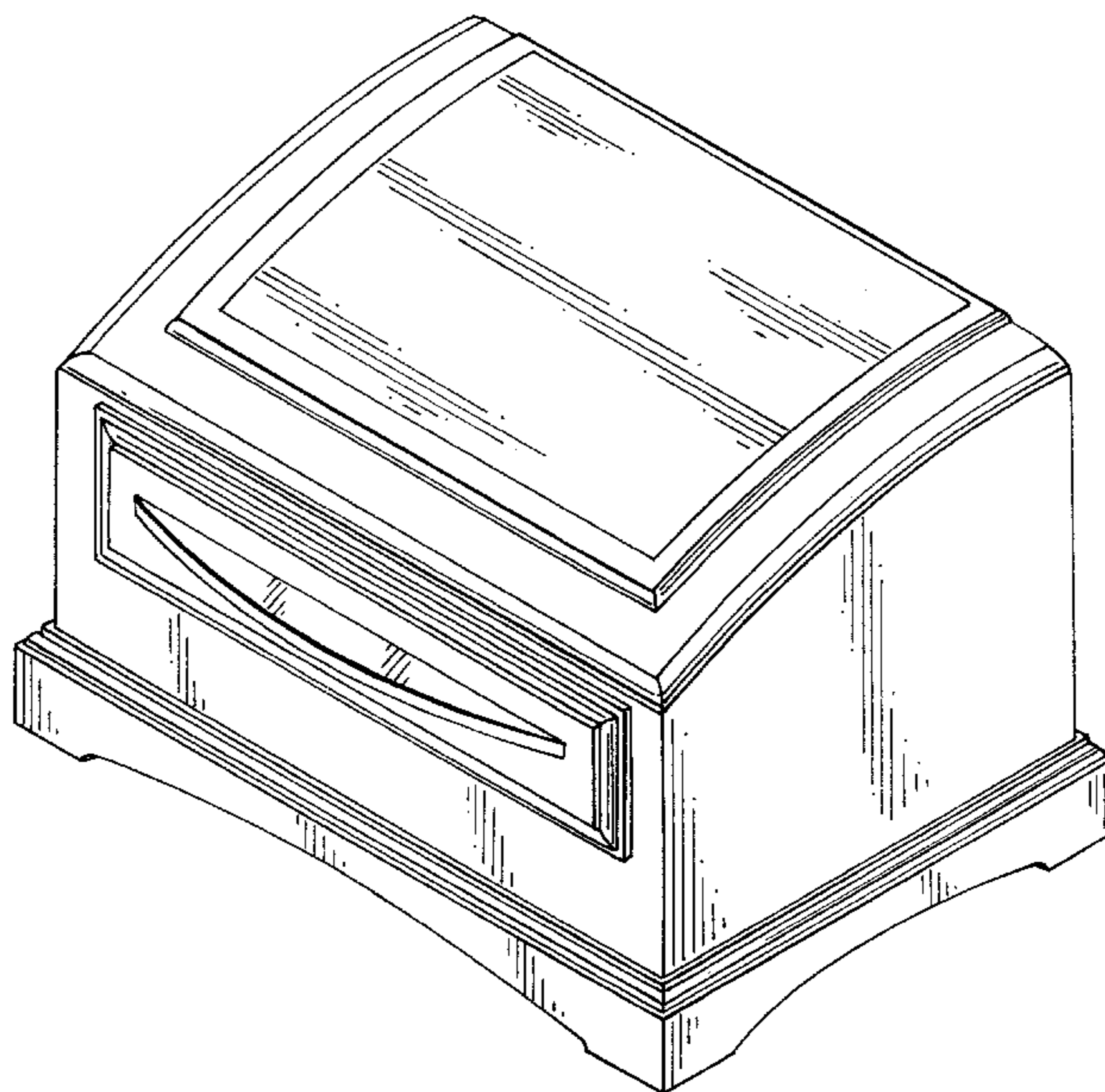
[57] **CLAIM**

The ornamental design for a hearing aid drying appliance, as shown and described.

DESCRIPTION

FIG. 1 is a perspective view of a hearing aid drying appliance showing my new design; FIG. 2 is a right side elevation view of FIG. 1, with the left side elevation being a mirror image; FIG. 3 is a rear elevation view thereof; and, FIG. 4 is a bottom view thereof.

1 Claim, 3 Drawing Sheets



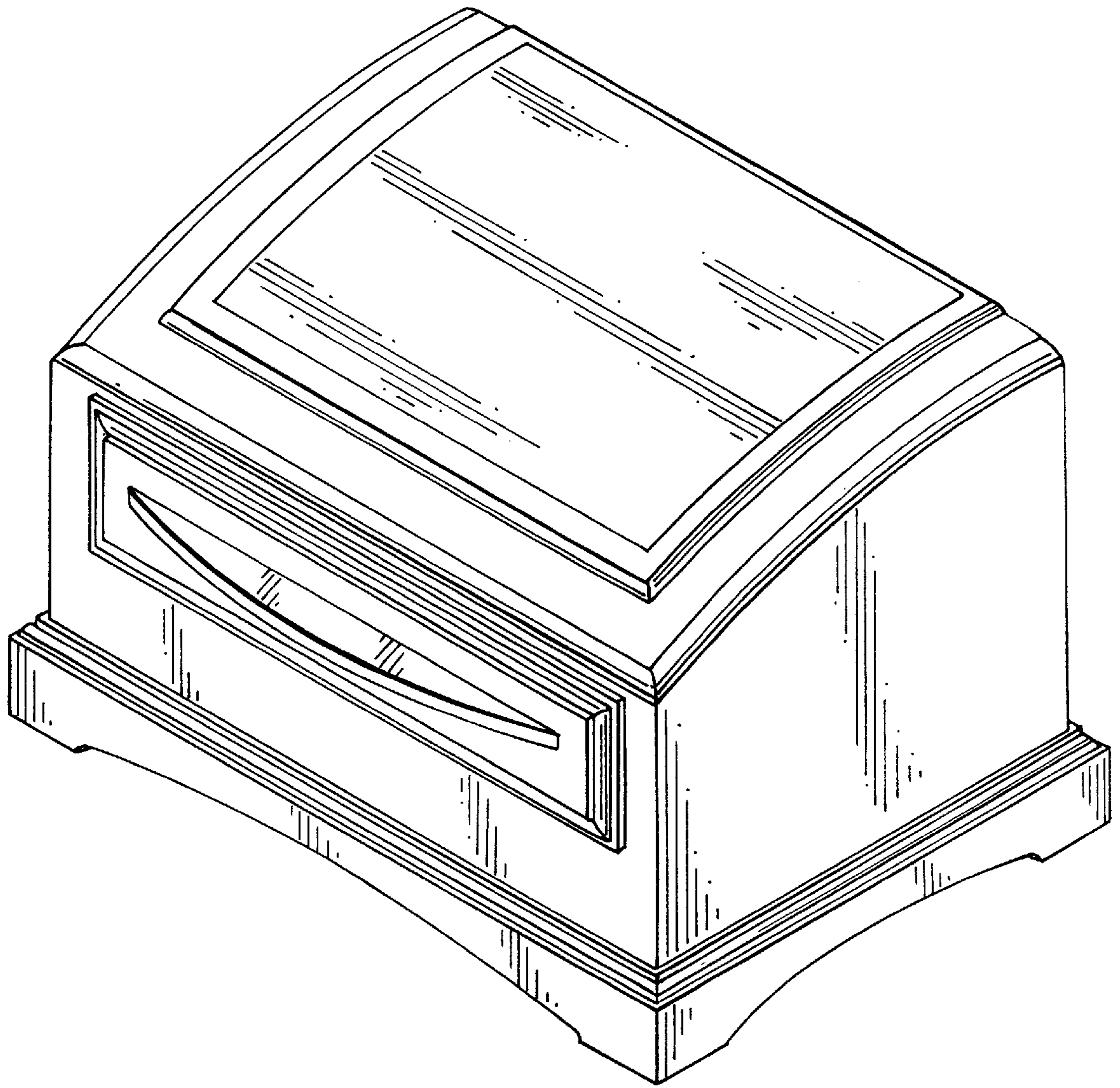


FIG. 1

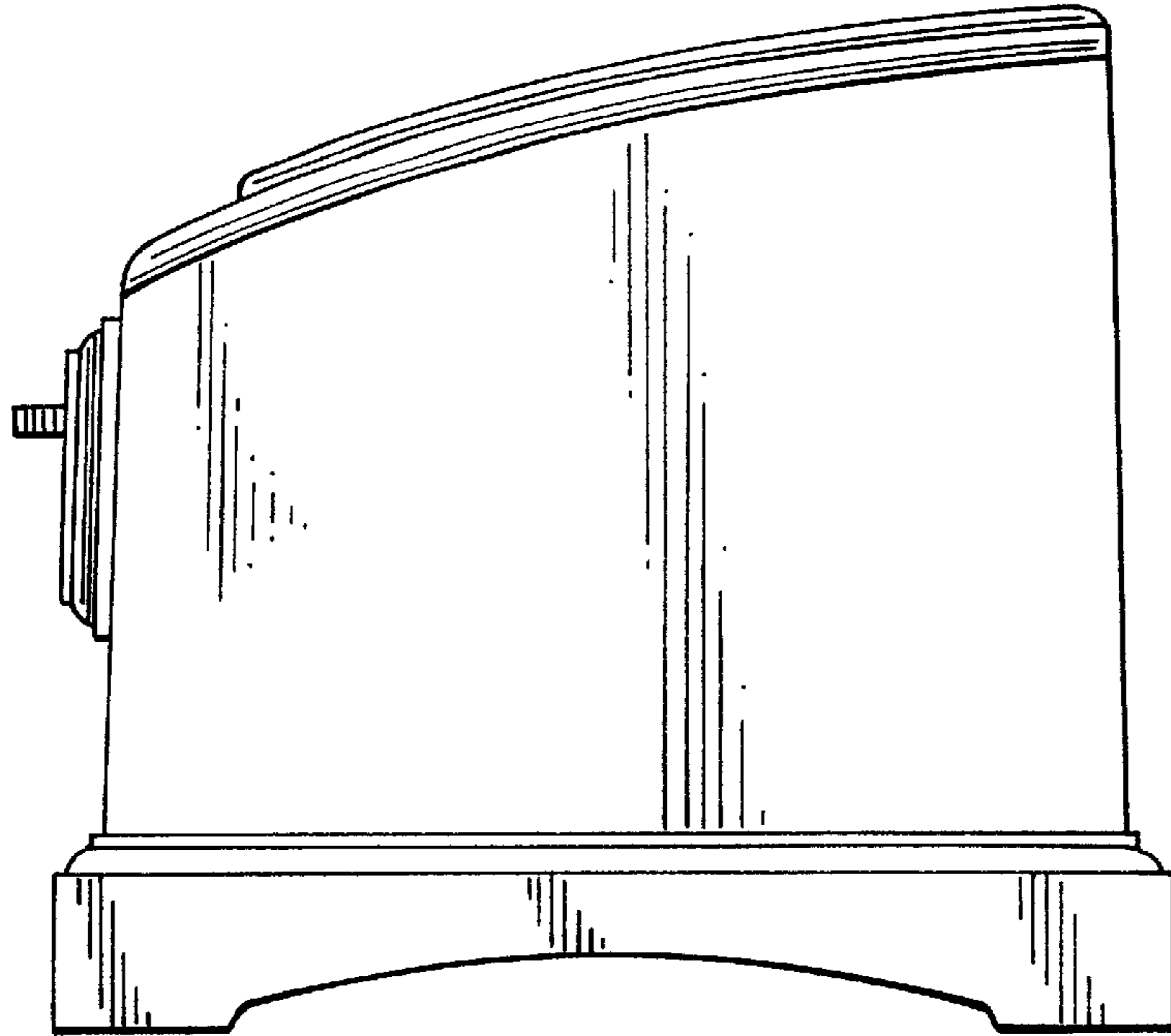


FIG. 2

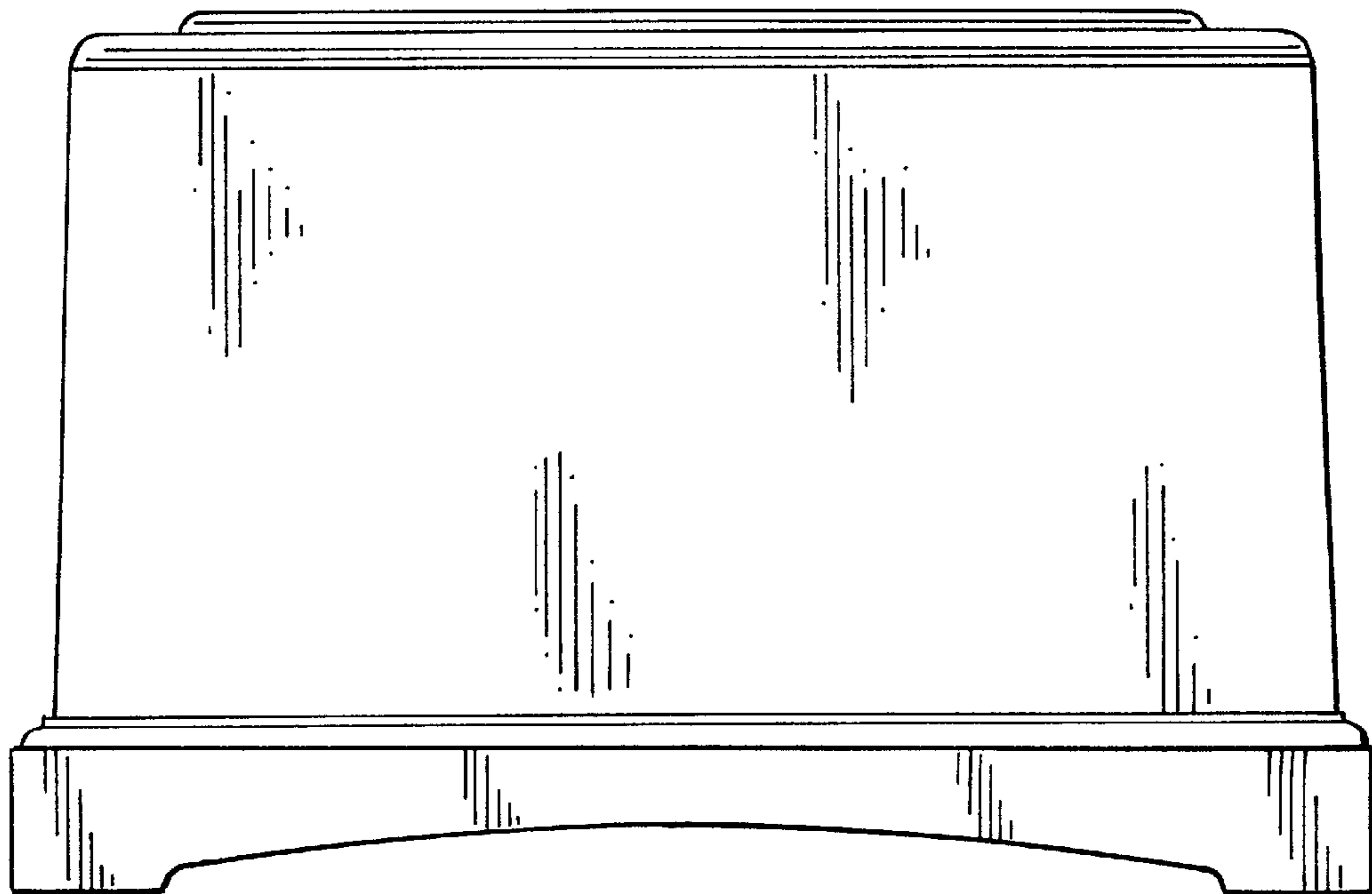


FIG. 3

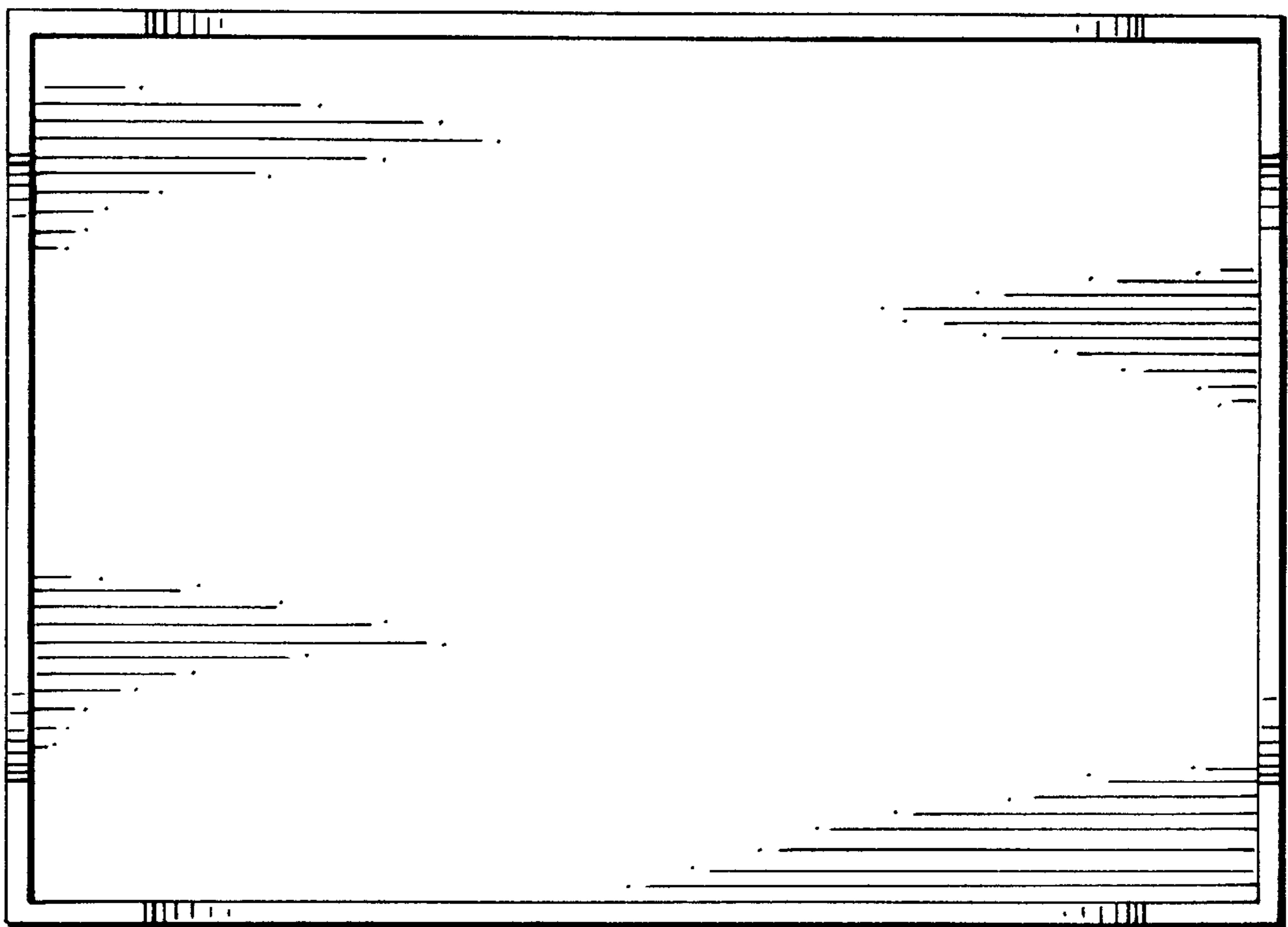


FIG. 4