



US00D414299S

United States Patent [19] Lai

[11] **Patent Number: Des. 414,299**

[45] **Date of Patent: ** Sep. 21, 1999**

[54] **COMBINED POWDER STORAGE CONTAINER AND APPLICATOR**

[76] Inventor: **Peggy Lai**, No. 3, Lane 223, Sec. 2, Yuan-Huan N. Rd., Feng-Yuan City, Taichung Hsien, Taiwan

[**] Term: **14 Years**

[21] Appl. No.: **29/081,084**

[22] Filed: **Nov. 19, 1997**

Related U.S. Application Data

[63] Continuation-in-part of application No. 29/060,480, Sep. 30, 1996, abandoned.

[51] **LOC (6) Cl. 28-03**

[52] **U.S. Cl. D28/77; D28/78**

[58] **Field of Search D28/76-84, 91; D9/420, 423; 132/286, 293-307, 314-317; 206/235, 823, 581; D3/205, 273-275, 294-295, 901**

[56] **References Cited**

U.S. PATENT DOCUMENTS

D. 106,015	9/1937	Conant	D28/78
D. 166,195	3/1952	Howard	D9/420
D. 168,543	1/1953	Hardy	D28/83 X
D. 205,869	9/1966	Hahn	D9/420
D. 262,579	1/1982	DeHaseth	D28/83
D. 285,370	8/1986	Chevassus	D28/82 X
D. 355,360	2/1995	Mund et al.	D9/423
D. 361,406	8/1995	Desgrippes	D28/78

OTHER PUBLICATIONS

Hong Kong Enterprise Jun. 1991, p. 187: H4 with diffuser.

Primary Examiner—Ted Shooman

Assistant Examiner—C Tuttle

Attorney, Agent, or Firm—Bacon & Thomas

[57] **CLAIM**

The ornamental design for a combined powder storage container and applicator, as shown and described.

DESCRIPTION

FIG. 1 is a perspective view showing the top, front and right side of my new design for a combined powder storage container and applicator;

FIG. 2 is an enlarged partial view of the left end of FIG. 1; FIG. 3 is an enlarged partial view of the cover, seen from the left end of FIG. 1;

FIG. 4 is a front view of FIG. 1, the rear view being a mirror image of the front;

FIG. 5 is a right side elevational view thereof;

FIG. 6 is a left side elevational view thereof;

FIG. 7 is a top plan view thereof;

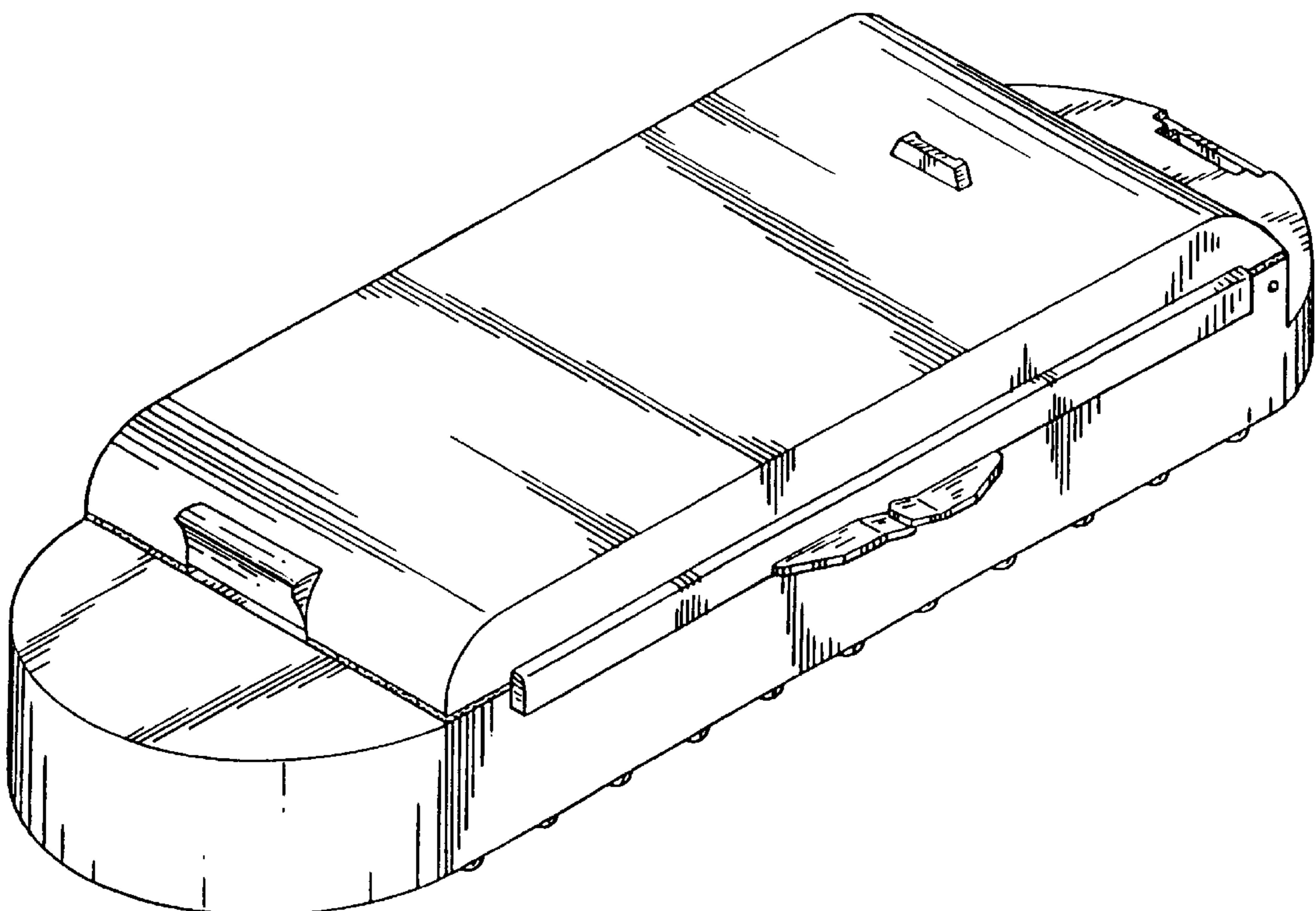
FIG. 8 is a bottom plan view thereof;

FIG. 9 is an open and exploded perspective view thereof; and,

FIG. 10 is an enlarged partial view showing the hinge area of the design from the left side of FIG. 9.

The undisclosed sides and edges of the pad and inner cover follow the contours of the sides shown.

1 Claim, 8 Drawing Sheets



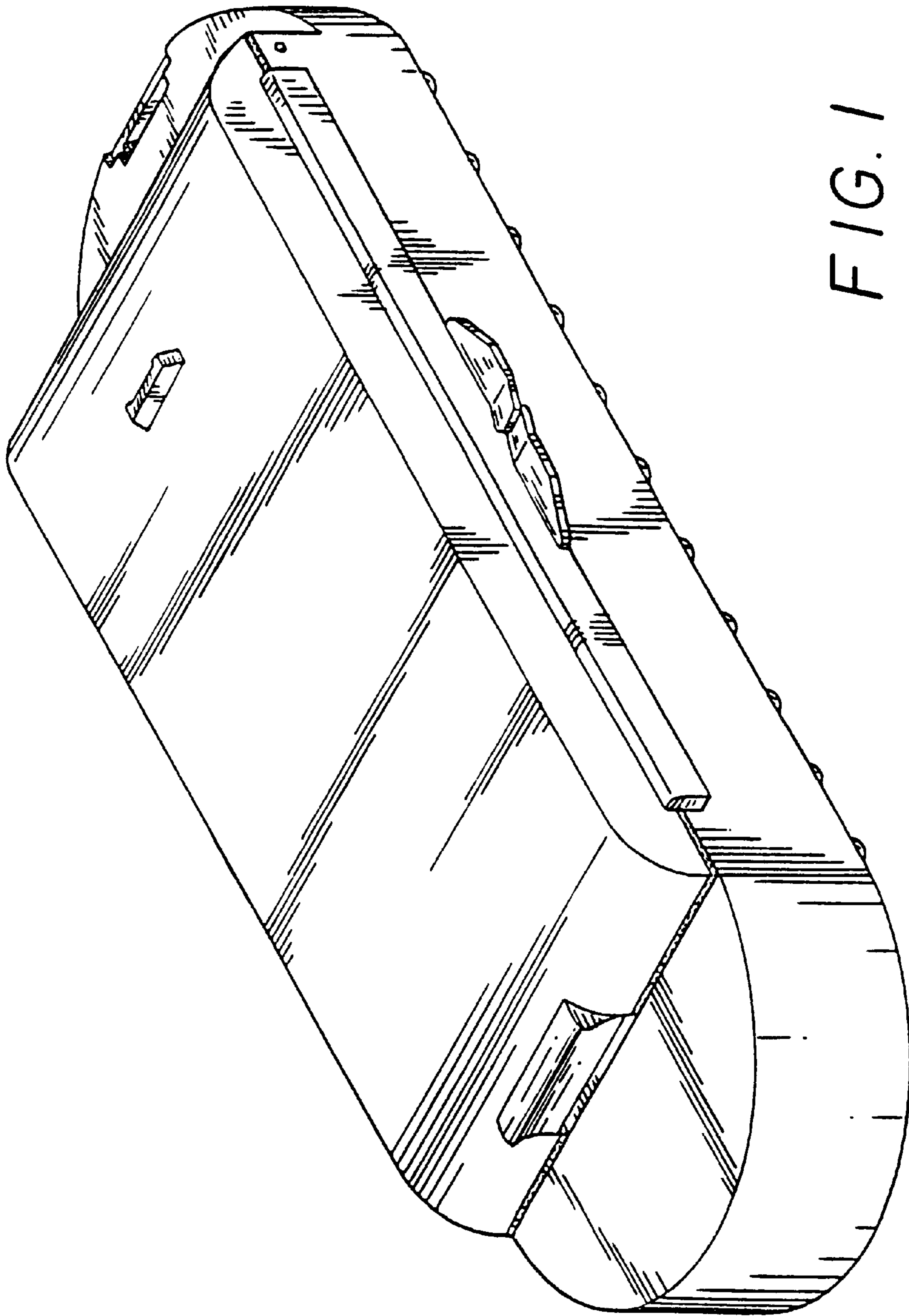


FIG. 1

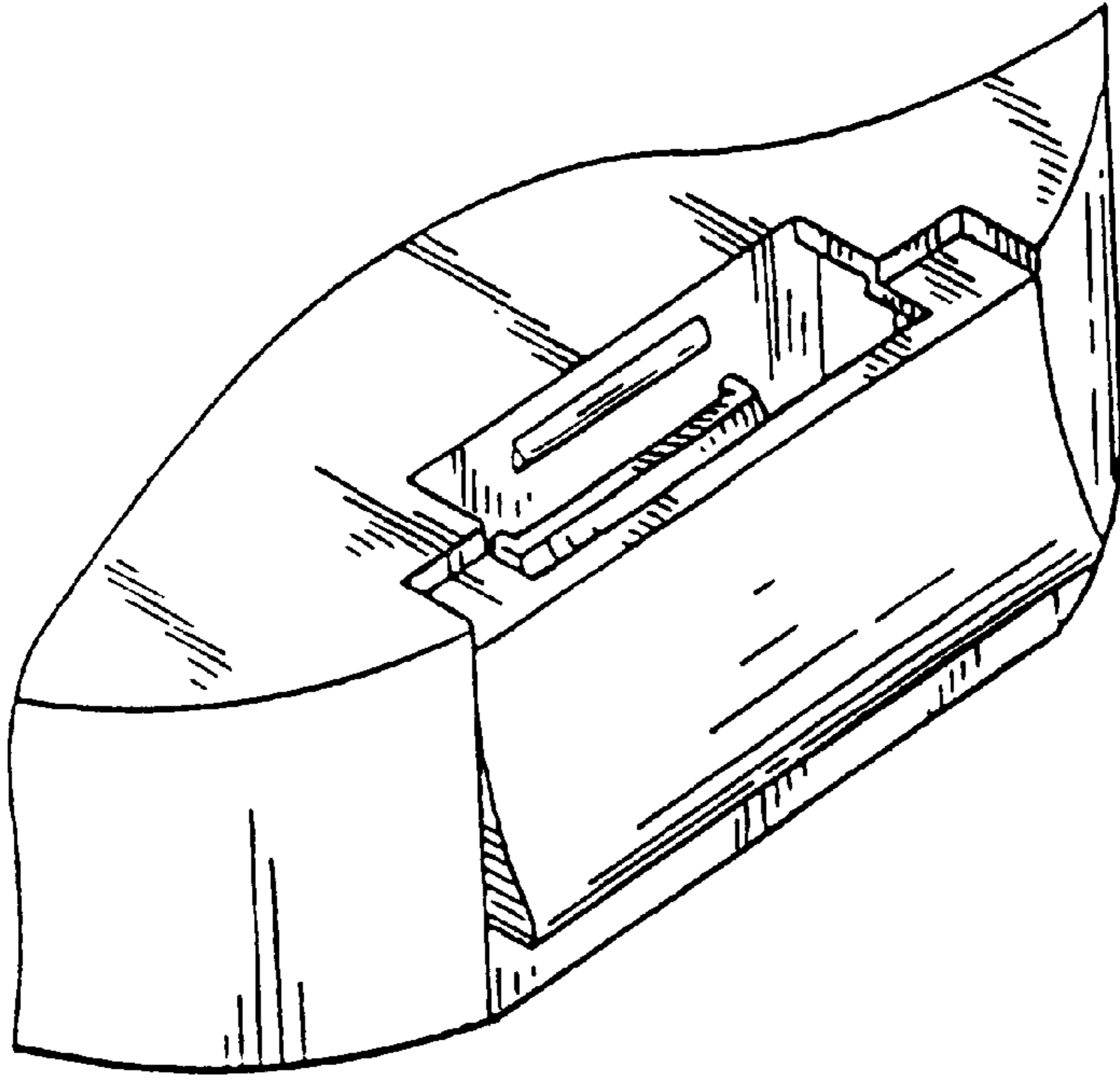


FIG. 2

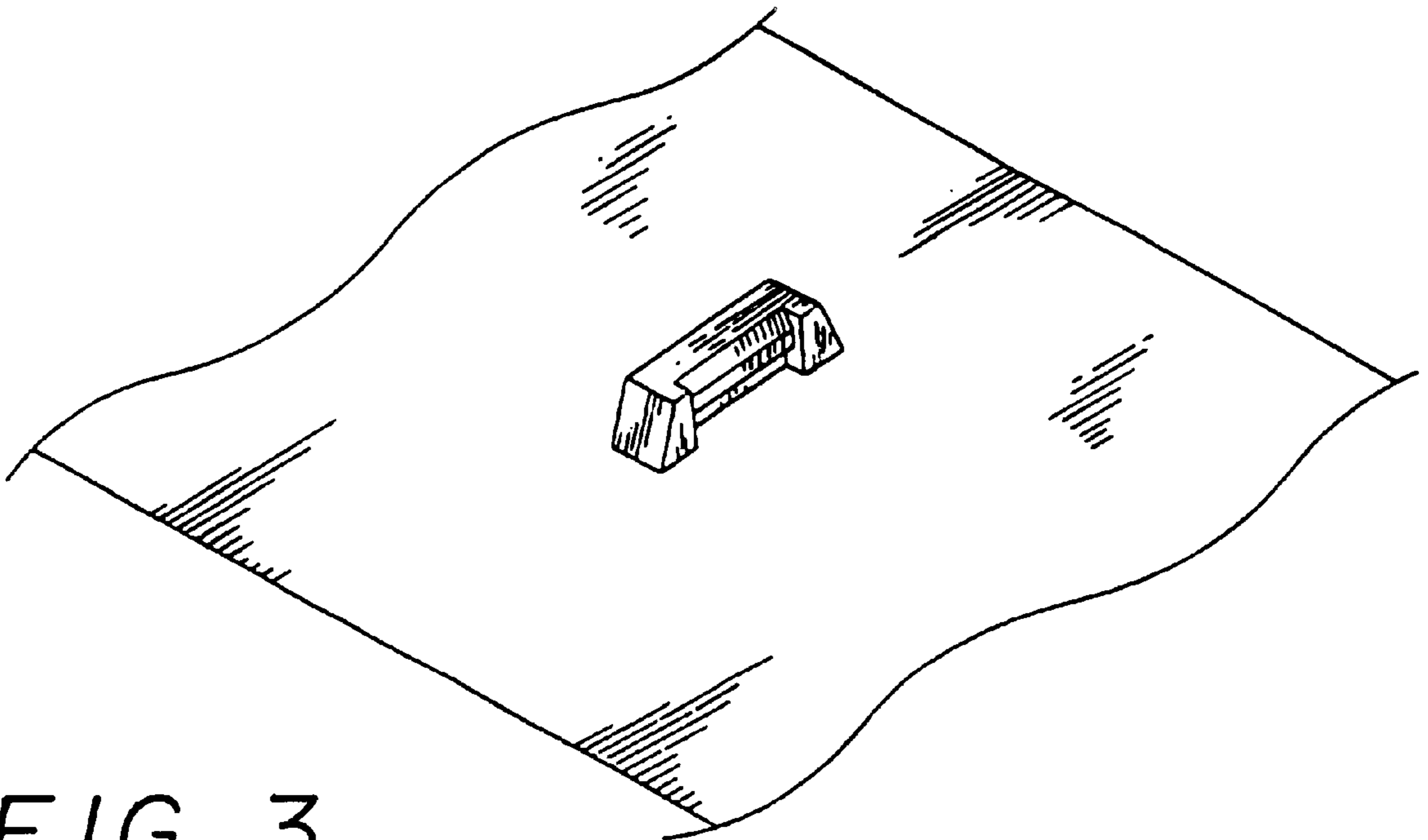


FIG. 3

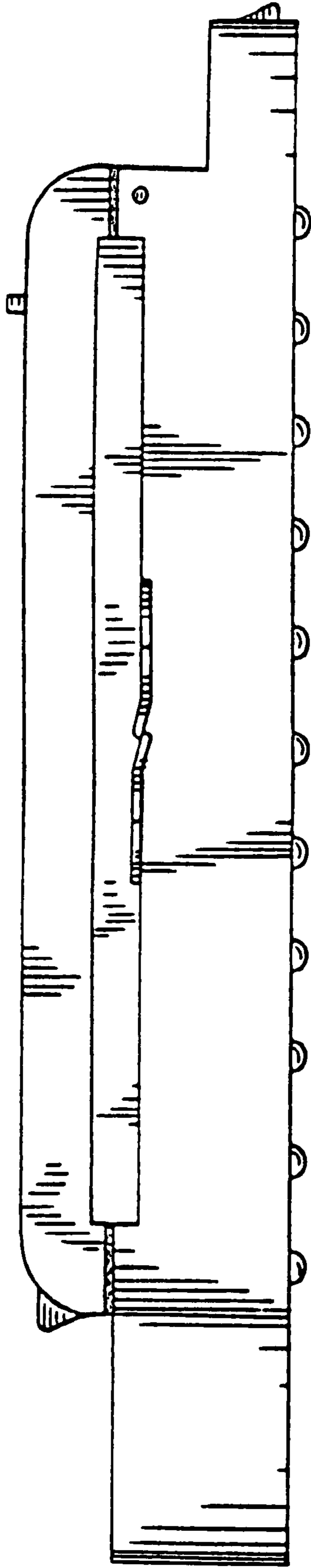


FIG. 4

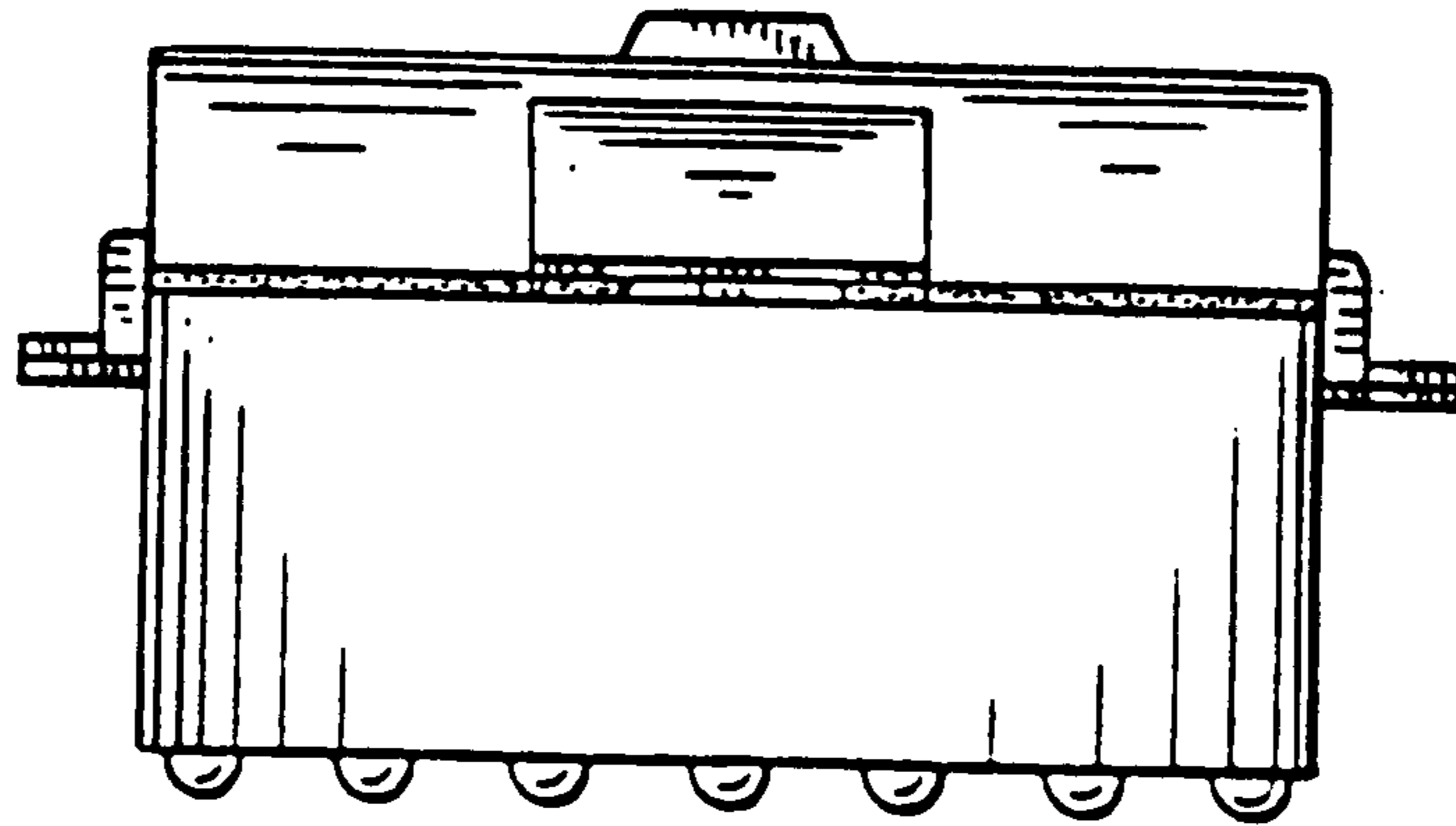


FIG. 5

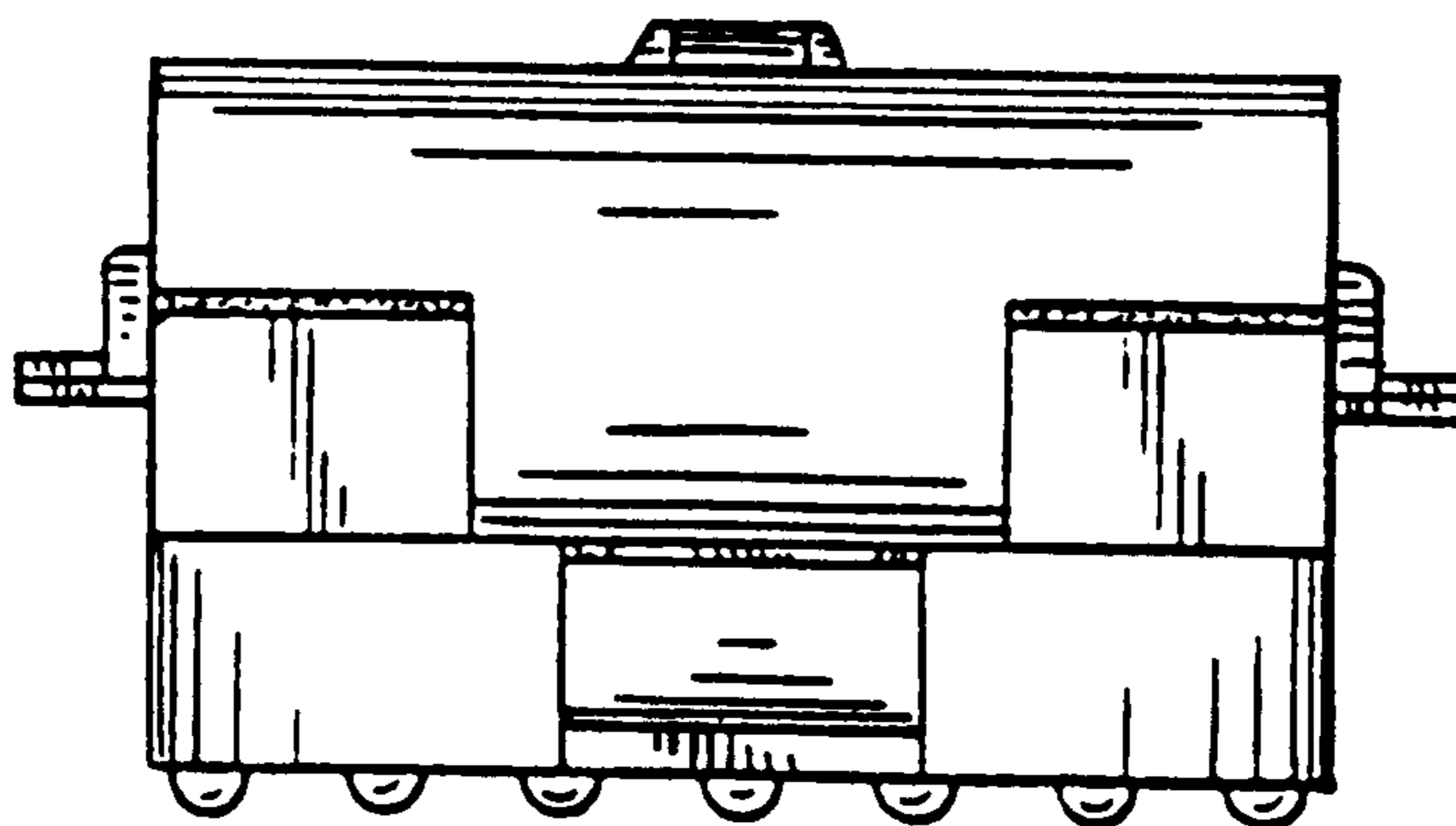


FIG. 6

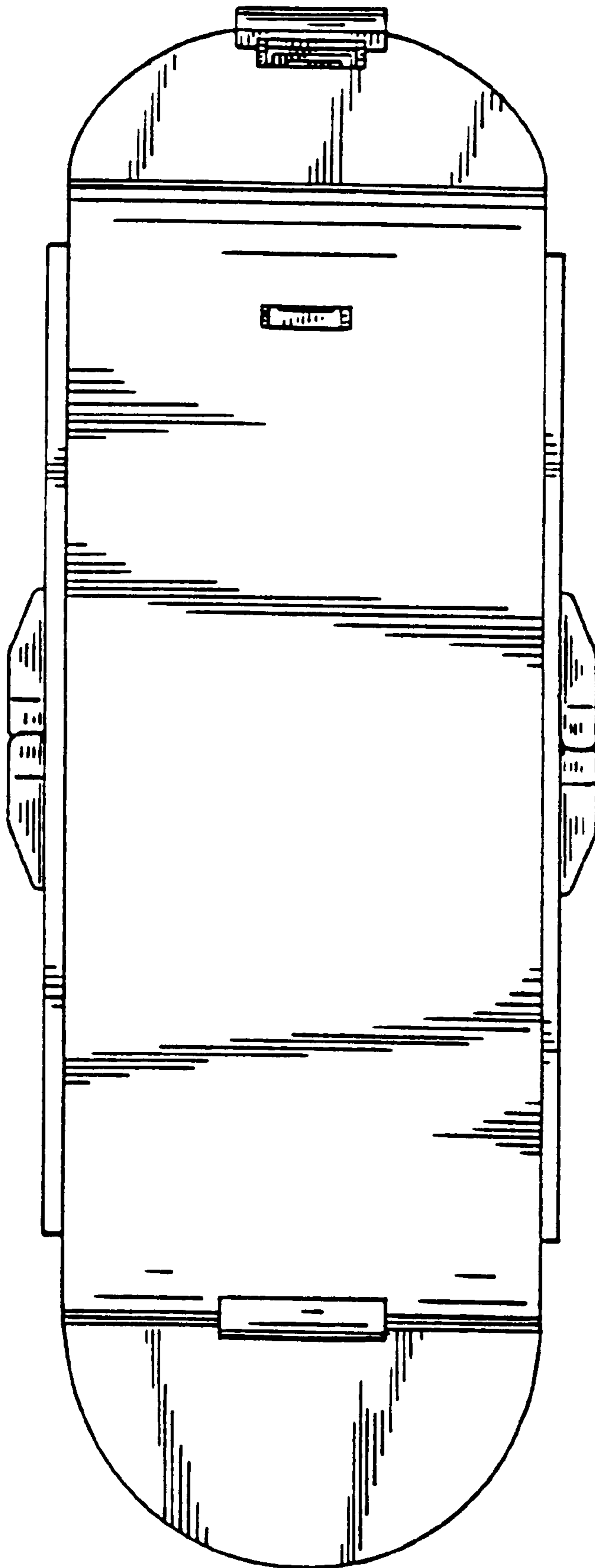
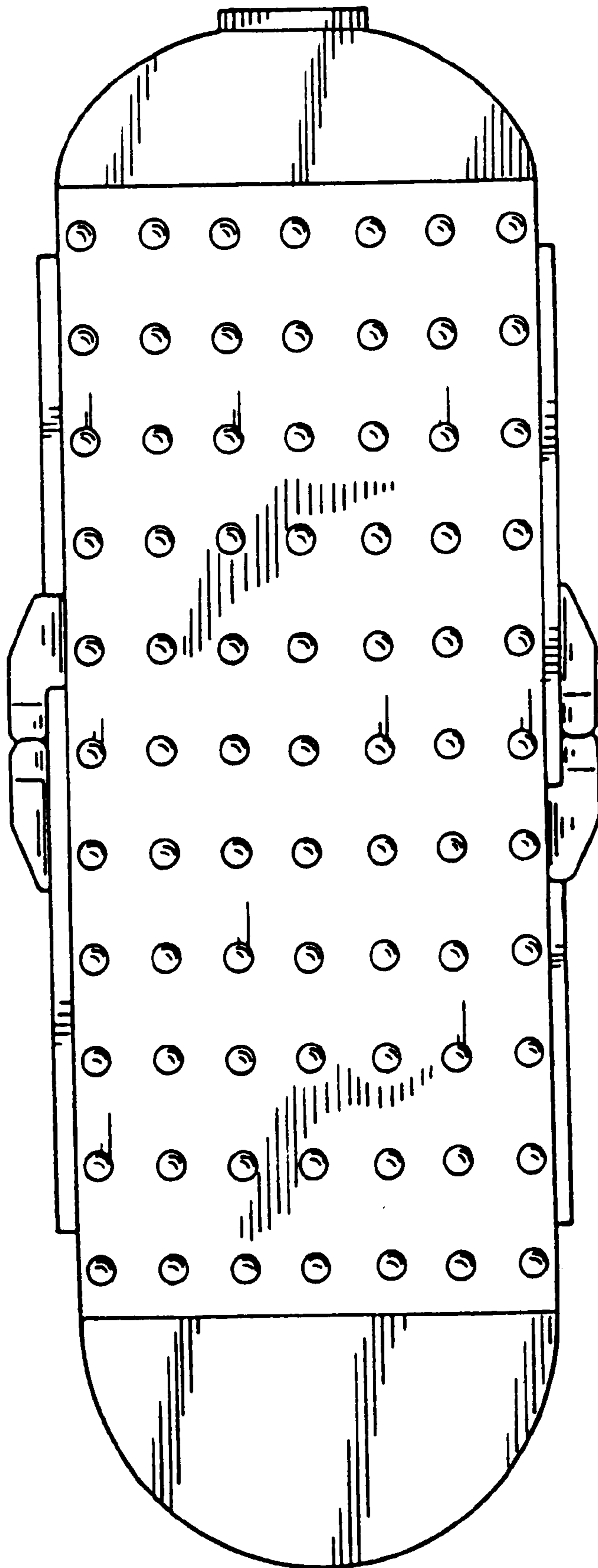


FIG. 7

FIG. 8



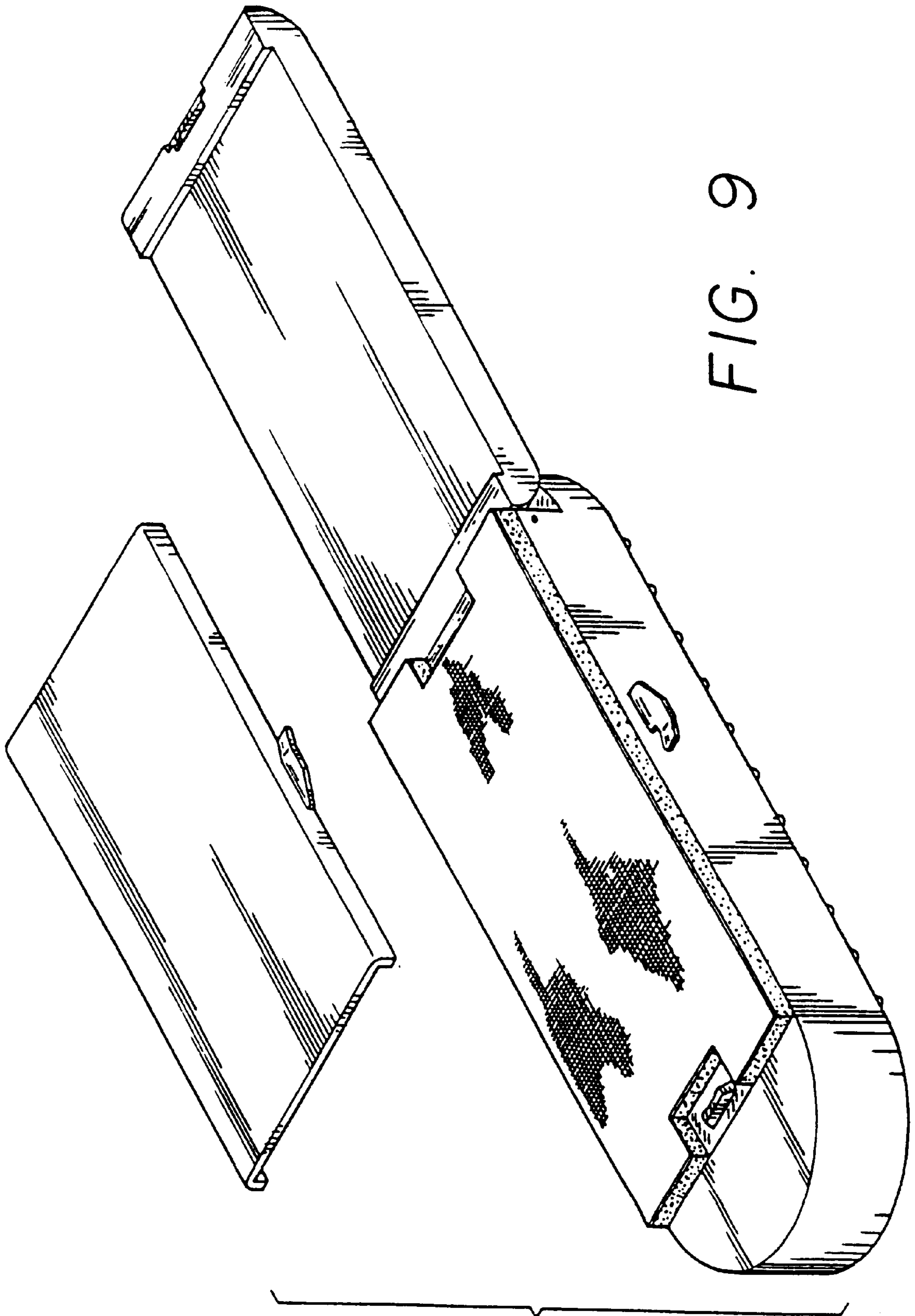


FIG. 9

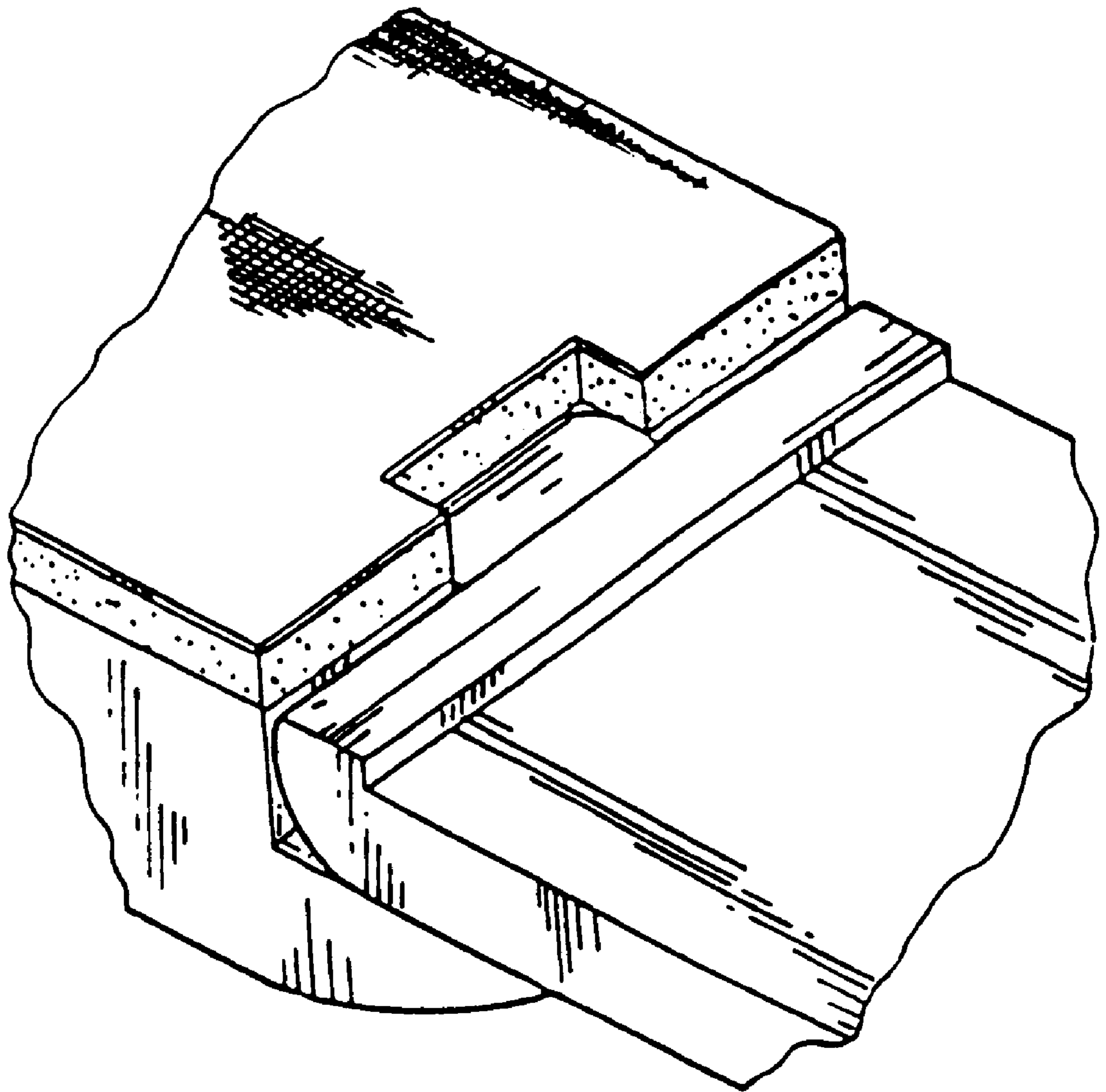


FIG. 10