



US00D414296S

United States Patent [19] Trammell

[11] **Patent Number: Des. 414,296**

[45] **Date of Patent: ** Sep. 21, 1999**

[54] **BODY DRYER**

2,174,583 10/1939 Hudson 34/100
3,786,575 1/1974 Riblett 34/90 X

[76] Inventor: **Johnnie M Trammell**, 1367 Willard St., Galesburg, Ill. 61401

FOREIGN PATENT DOCUMENTS

[**] Term: **14 Years**

750897 8/1933 France 34/99
1064566 5/1954 France 34/99
589096 12/1933 Germany 34/99
1233859 5/1986 U.S.S.R. 392/380
94023611 10/1994 WIPO 392/383

[21] Appl. No.: **29/090,558**

[22] Filed: **Jul. 9, 1998**

Primary Examiner—Ted Shooman
Assistant Examiner—C. Tuttle

[51] **LOC (6) Cl. 28-03**

[52] **U.S. Cl. D28/9; D28/13; D28/54.1; D23/336**

[57] CLAIM

[58] **Field of Search** D28/12-18, 54.1, D28/9, 99; D23/332, 334-336; 132/212, 271; 34/90, 96-101; 392/379-385

The ornamental design for a body dryer, as shown.

DESCRIPTION

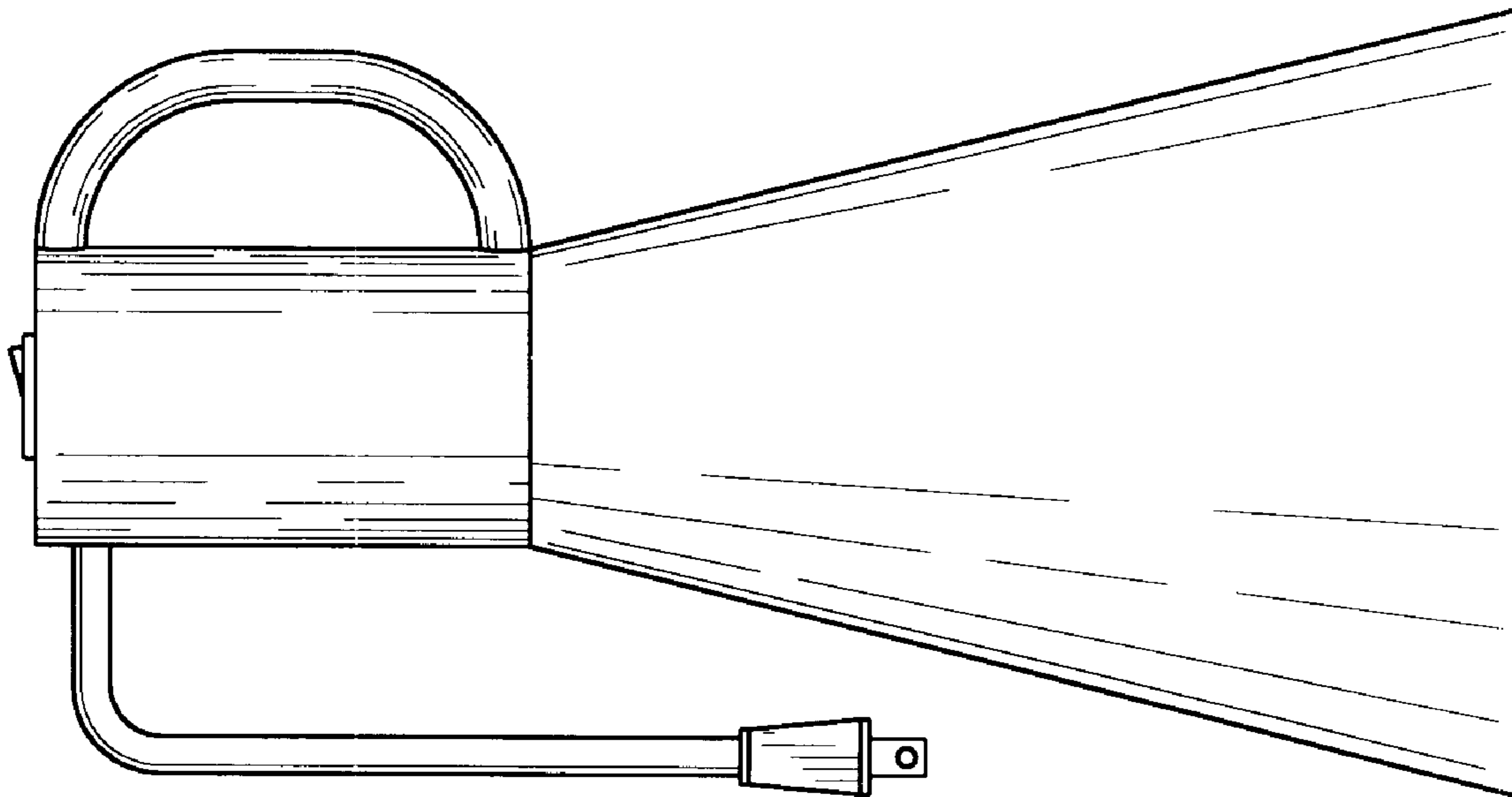
[56] References Cited

U.S. PATENT DOCUMENTS

D. 162,083 2/1951 Pruetzel D23/314
D. 246,913 1/1978 Kahn et al. D28/13
D. 254,689 4/1980 Neumark D28/13
D. 255,052 5/1980 Haase D28/13
D. 352,365 11/1994 Hansen et al. D28/13
912,024 2/1909 Parks et al. 392/409
939,106 11/1909 Soles 392/426
1,730,982 10/1929 Pankratz et al. 392/368
1,756,033 4/1930 Nordan 392/383 X

FIG. 1 is a front elevational view of the body dryer of the present invention;
FIG. 2 is a back elevational view of the body dryer of FIG. 1;
FIG. 3 is a left side elevational view of the body dryer of FIG. 1;
FIG. 4 is a right side elevational view of the body dryer of FIG. 1;
FIG. 5 is a top plan view of the body dryer of FIG. 1; and,
FIG. 6 is a bottom plan view of the body dryer of FIG. 1.

1 Claim, 3 Drawing Sheets



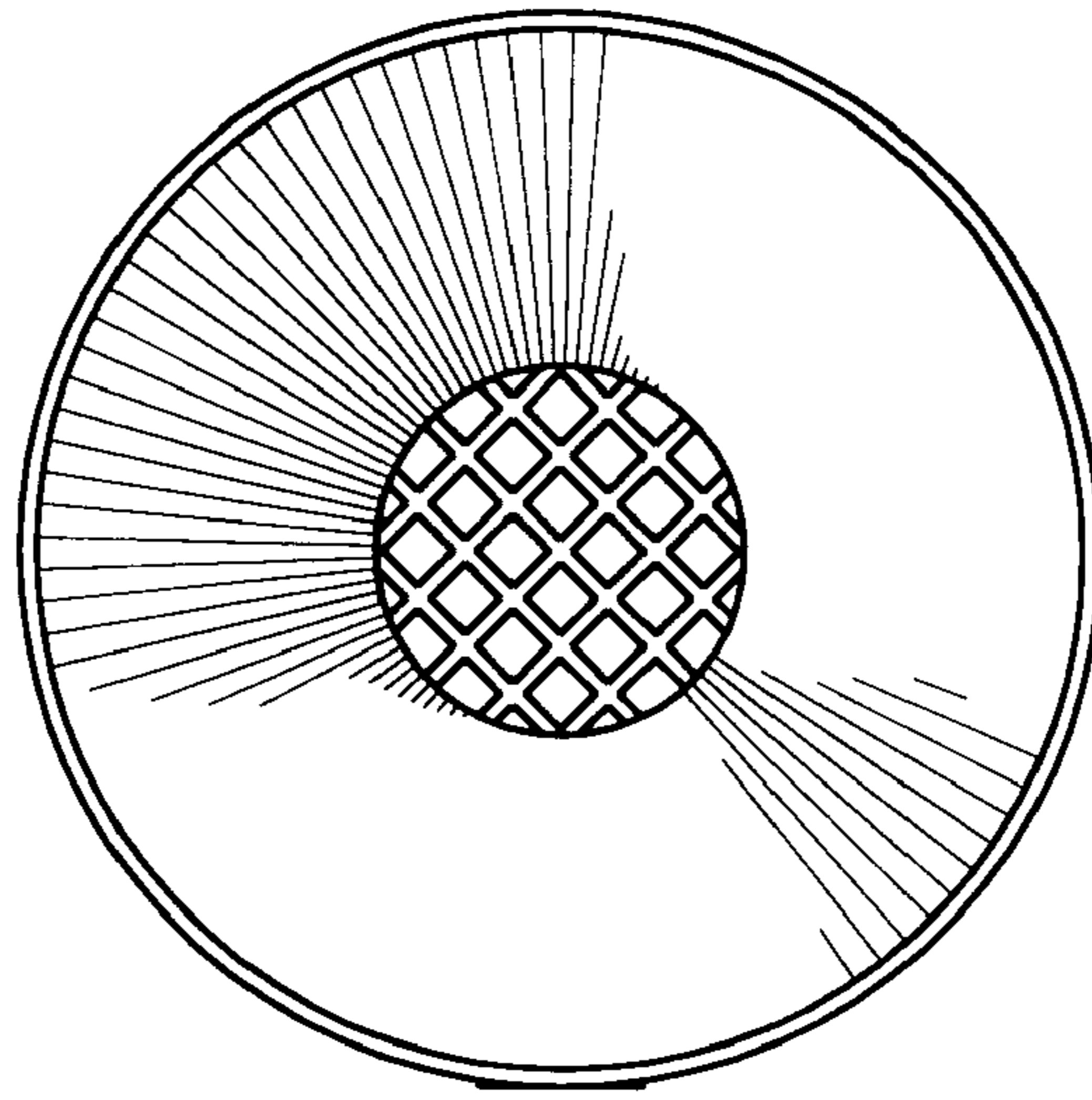


Fig. 1

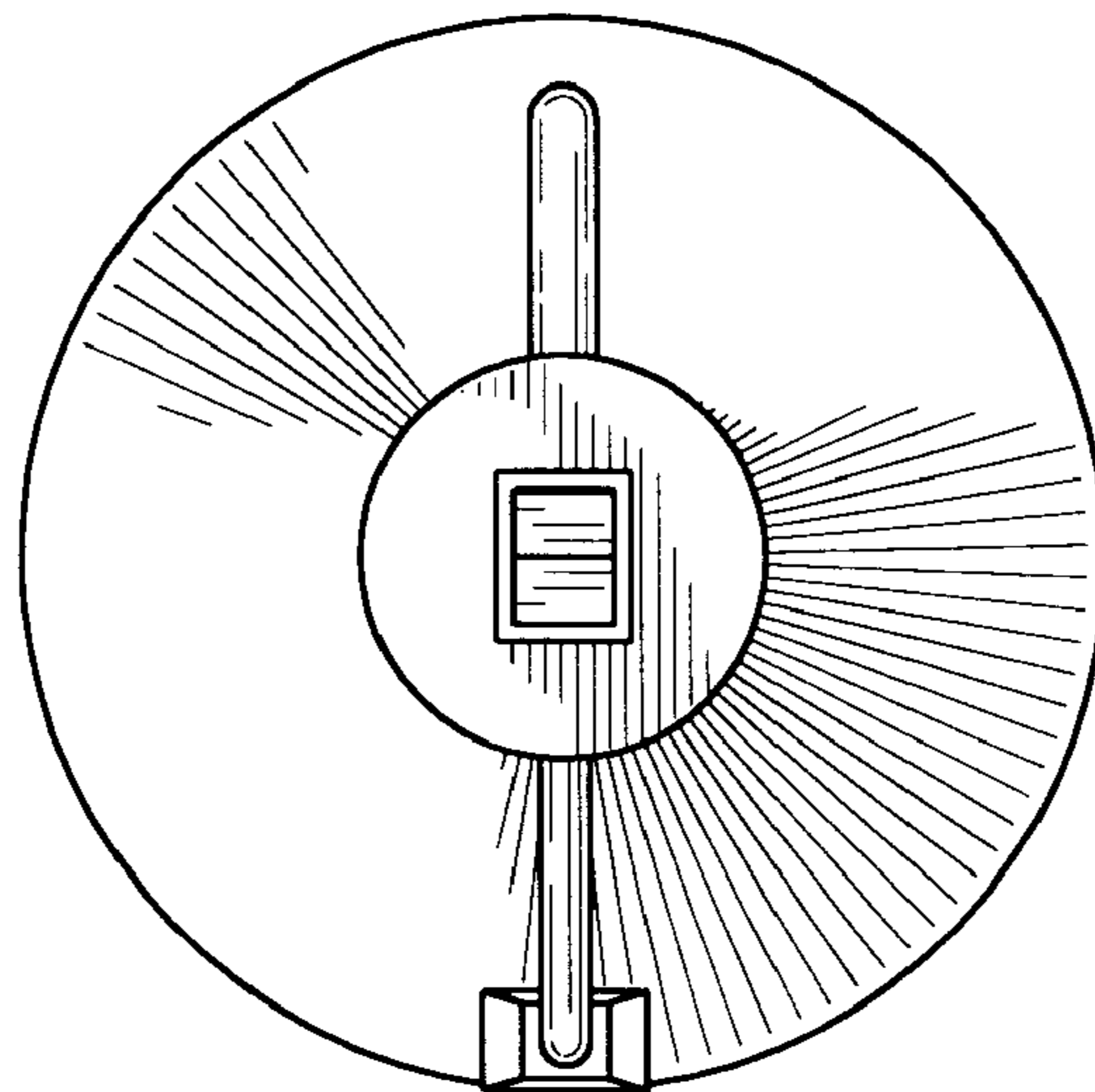


Fig. 2

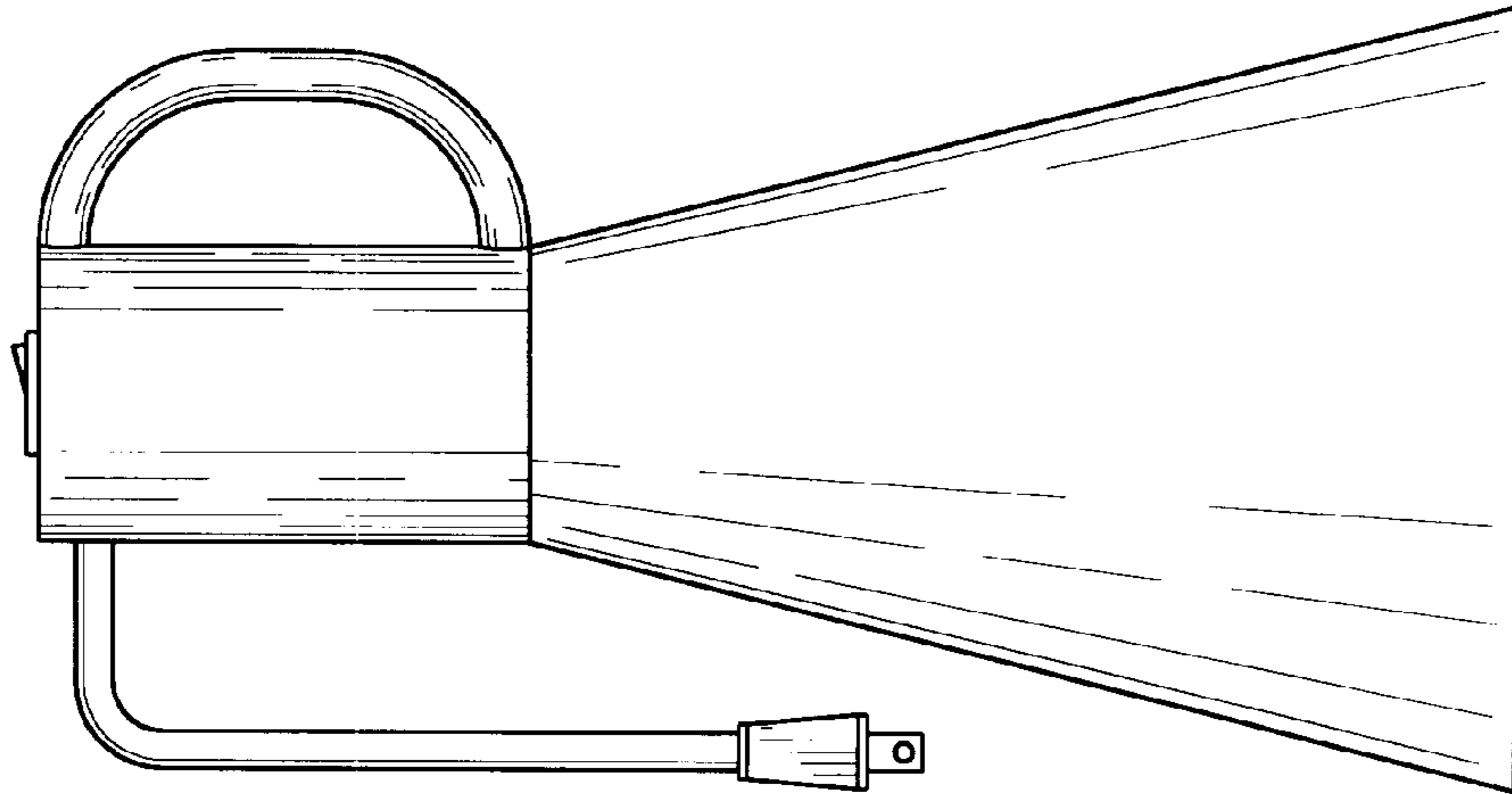


Fig. 3

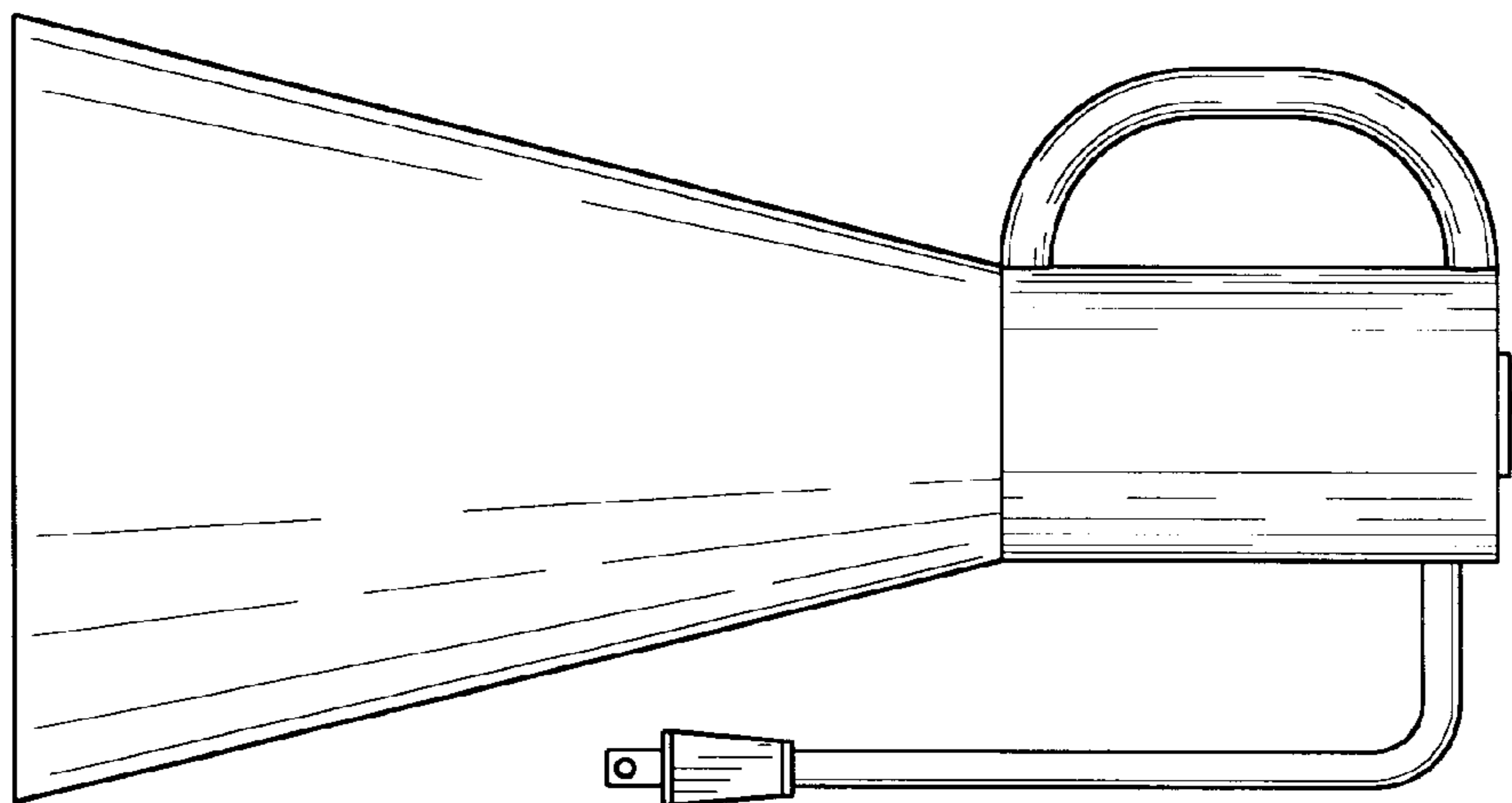


Fig. 4

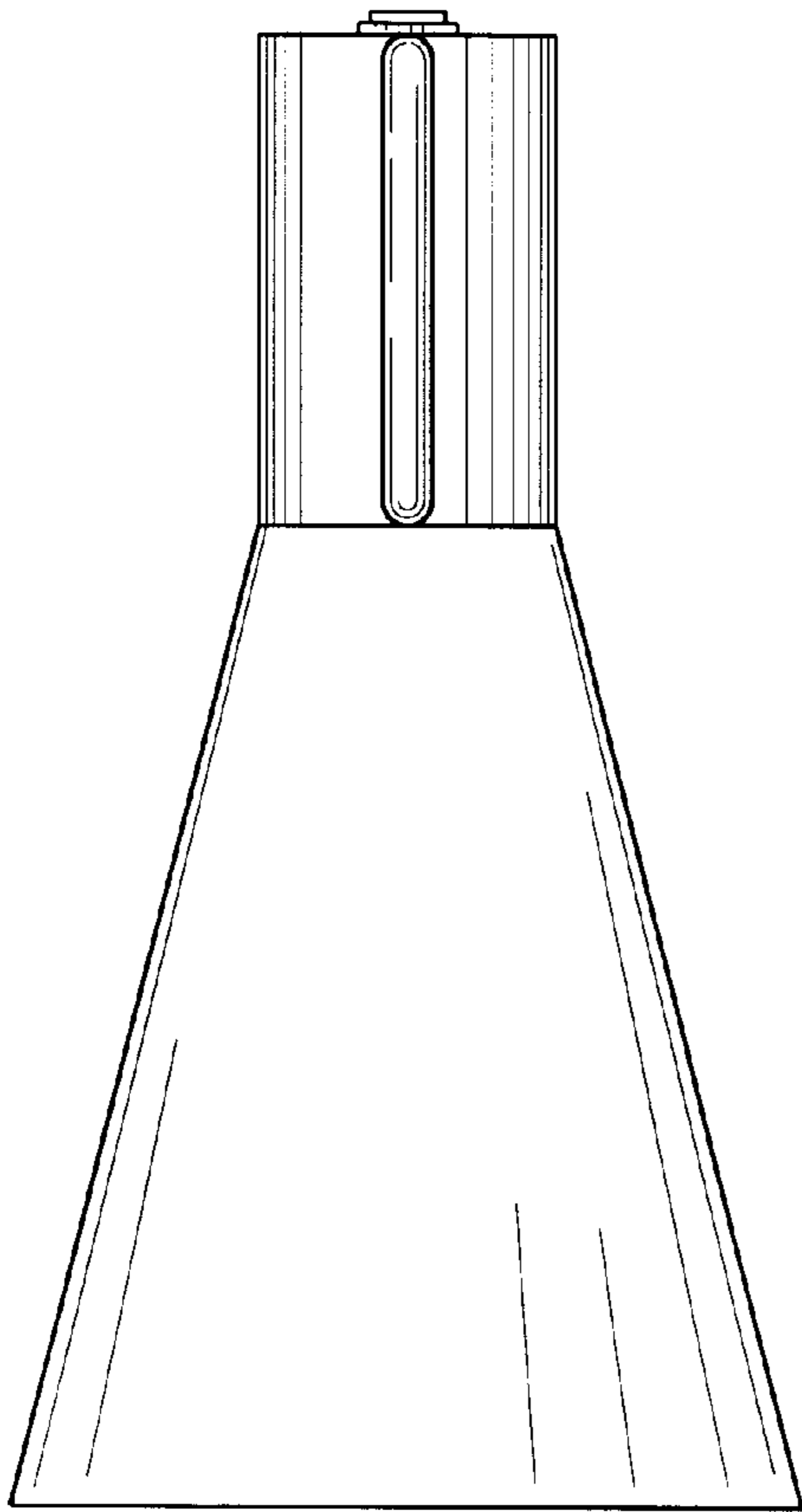


Fig. 5

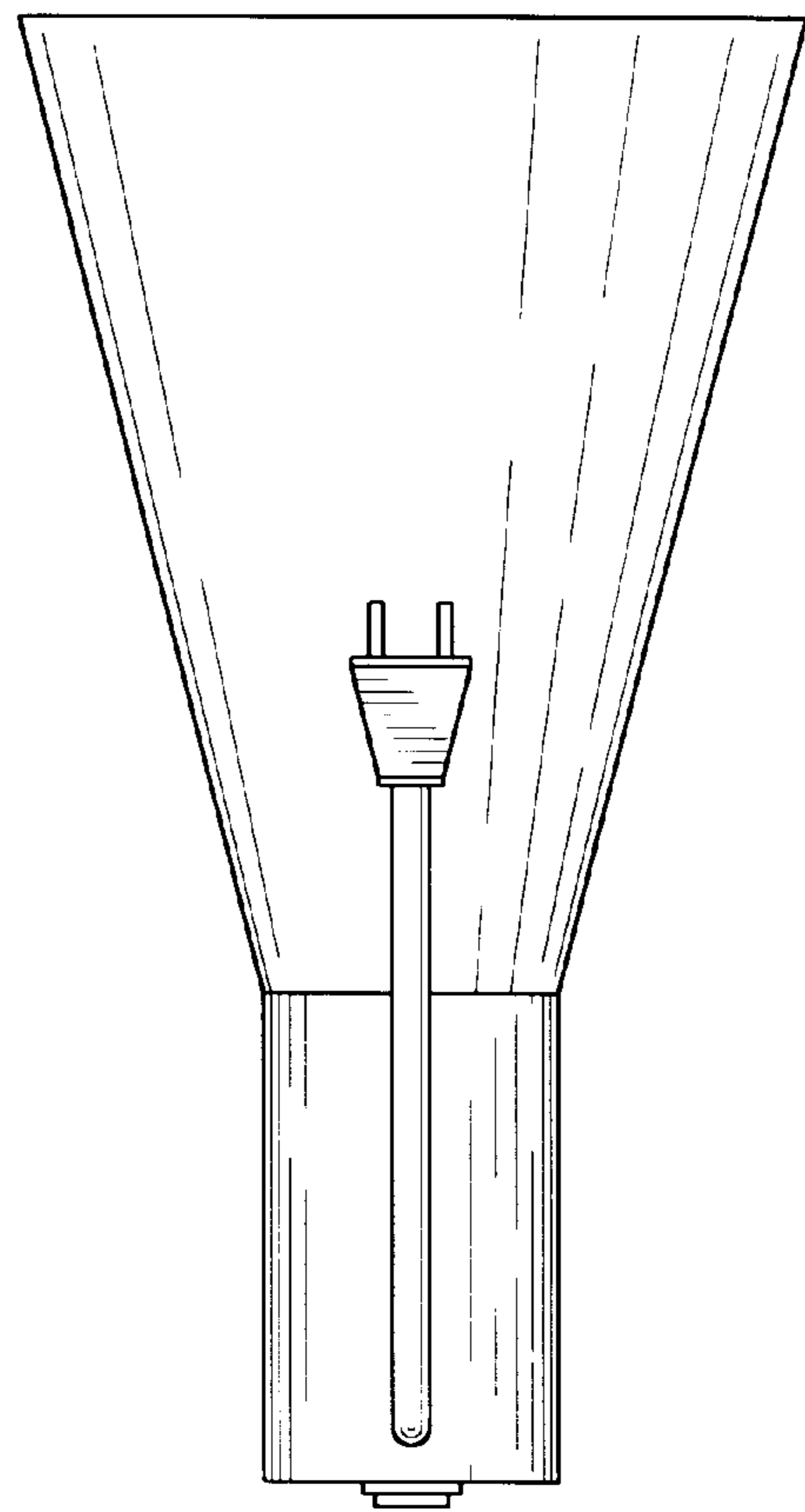


Fig. 6