



US00D414294S

# United States Patent [19]

[11] Patent Number: **Des. 414,294**

Mashine et al.

[45] Date of Patent: **\*\* Sep. 21, 1999**

[54] **LIGHTER**

D. 299,000	12/1988	Yoshinga	.....	D8/30
D. 302,098	7/1989	Yoshinga	.....	D8/30
D. 311,968	11/1990	Porsche	.....	D27/158
D. 387,475	12/1997	Maruyama	.....	D27/154

[75] Inventors: **Hiroyoshi Mashine; Masahiko Kamegamori**, both of Saitama-ken, Japan

*Primary Examiner*—Susan J. Lucas  
*Assistant Examiner*—Jennifer Rivard  
*Attorney, Agent, or Firm*—Ostrolenk, Faber, Gerb & Soffen, LLP

[73] Assignee: **Yoshinaga Tecnica Corporation**, Tokyo, Japan

[\*\*] Term: **14 Years**

## [57] CLAIM

[21] Appl. No.: **29/088,118**

The ornamental design for a lighter, as shown and described.

[22] Filed: **May 14, 1998**

## DESCRIPTION

### [30] Foreign Application Priority Data

Nov. 27, 1997 [JP] Japan ..... 9-76343

[51] **LOC (6) Cl.** ..... **27-05**

[52] **U.S. Cl.** ..... **D27/154; D27/157**

[58] **Field of Search** ..... D27/139-160;  
431/125, 253, 254-256, 132, 135, 258,  
263, 264

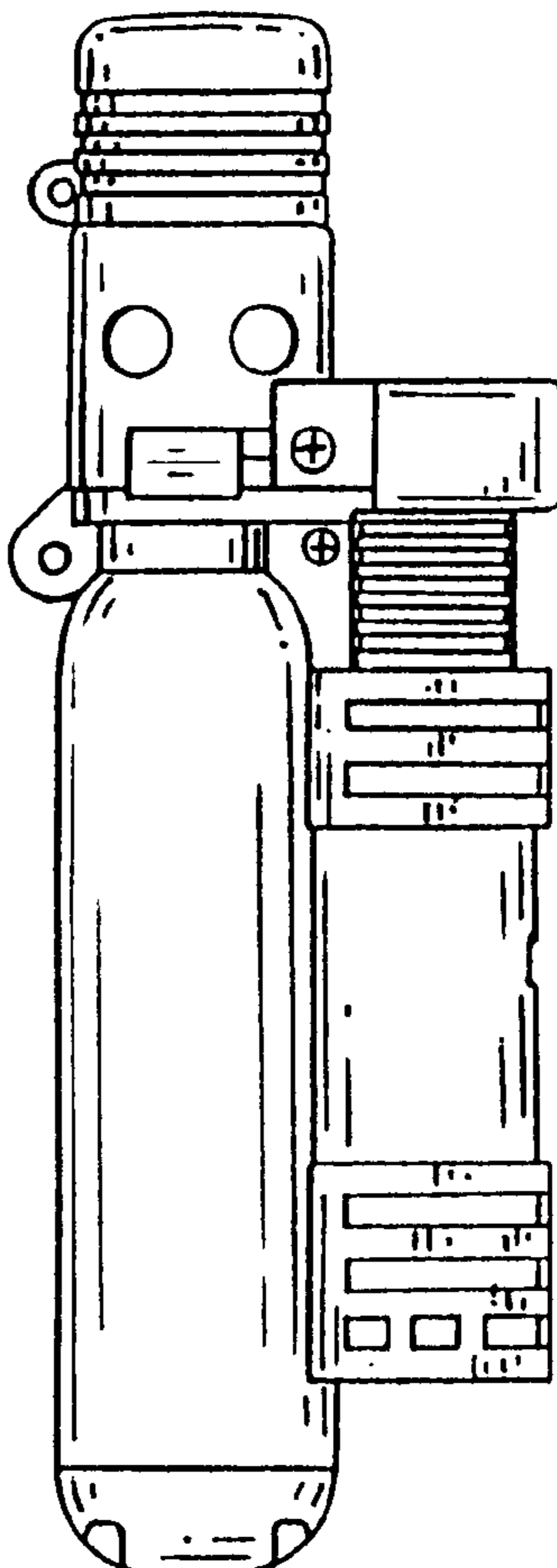
FIG. 1 is a front view of a lighter;  
 FIG. 2 is a left-side view thereof;  
 FIG. 3 is a right-side view thereof;  
 FIG. 4 is a rear view thereof;  
 FIG. 5 is a top view thereof;  
 FIG. 6 is a bottom view thereof;  
 FIG. 7 is a front view of a lighter shown with the cap removed;  
 FIG. 8 is a right-side view thereof; and,  
 FIG. 9 is a perspective view thereof showing the lighter in an operative condition.  
 For the purpose of disclosure, the lighter is shown with the cap removed.

### [56] References Cited

#### U.S. PATENT DOCUMENTS

D. 272,564	2/1984	Racek	.....	D27/42
D. 284,796	7/1986	Yoshinaga	.....	D27/41
D. 297,269	8/1988	Yoshinaga	.....	D27/148

**1 Claim, 2 Drawing Sheets**



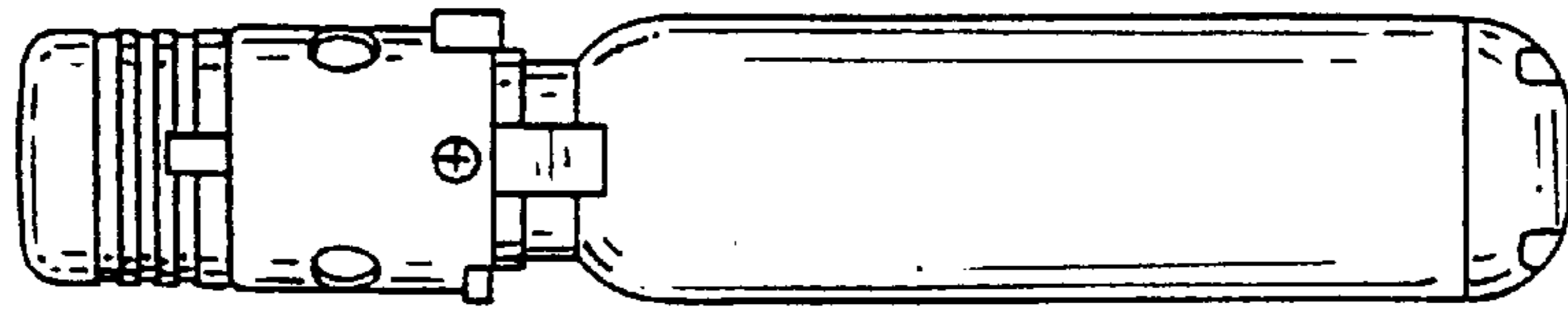


FIG. 2

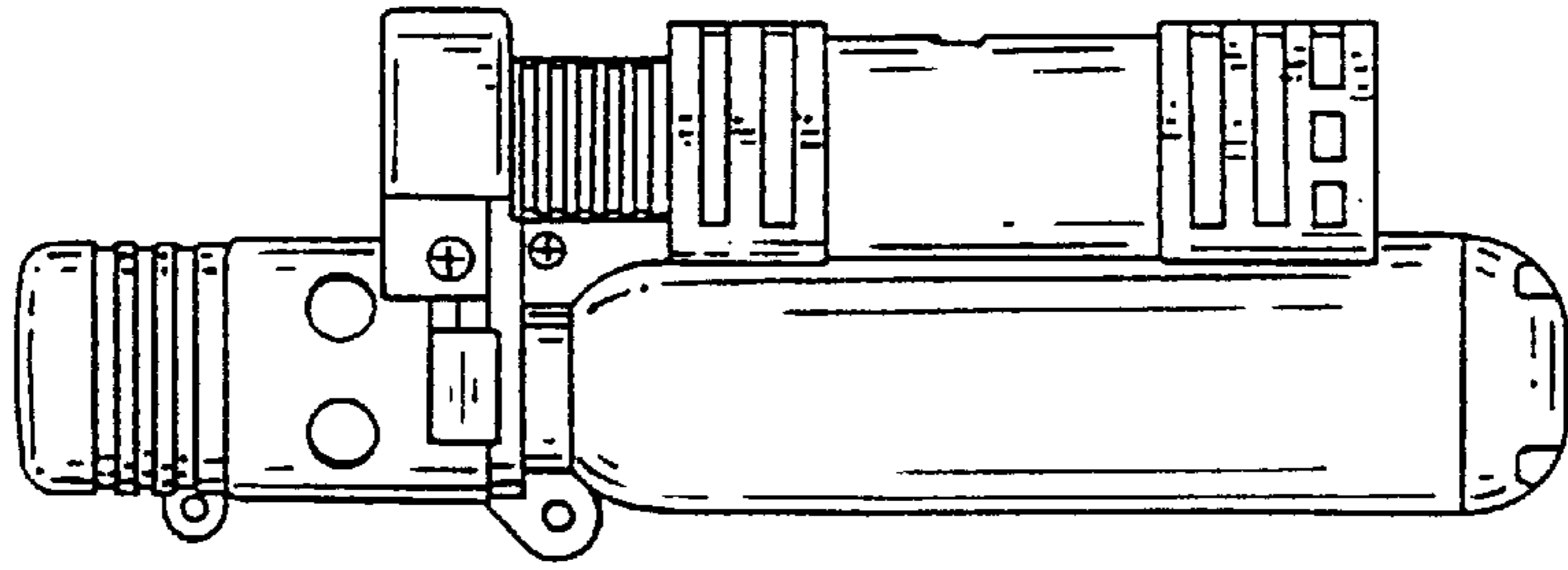


FIG. 1

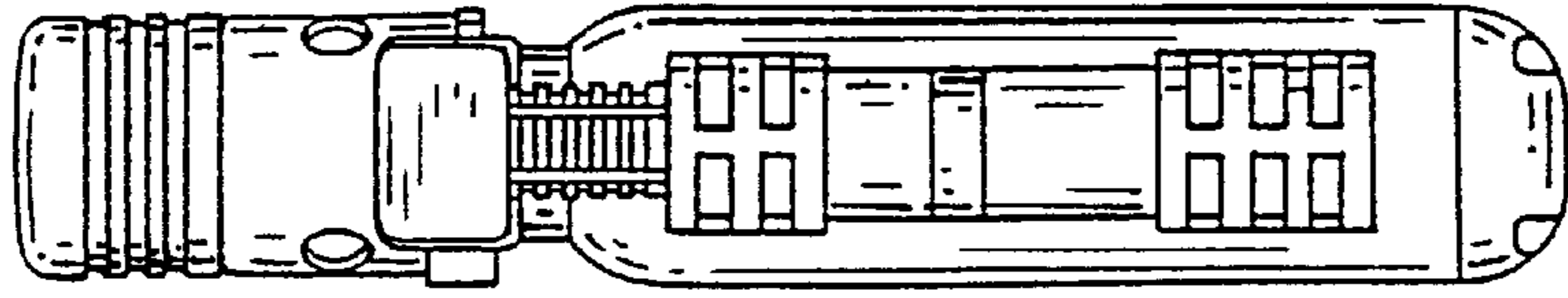


FIG. 3

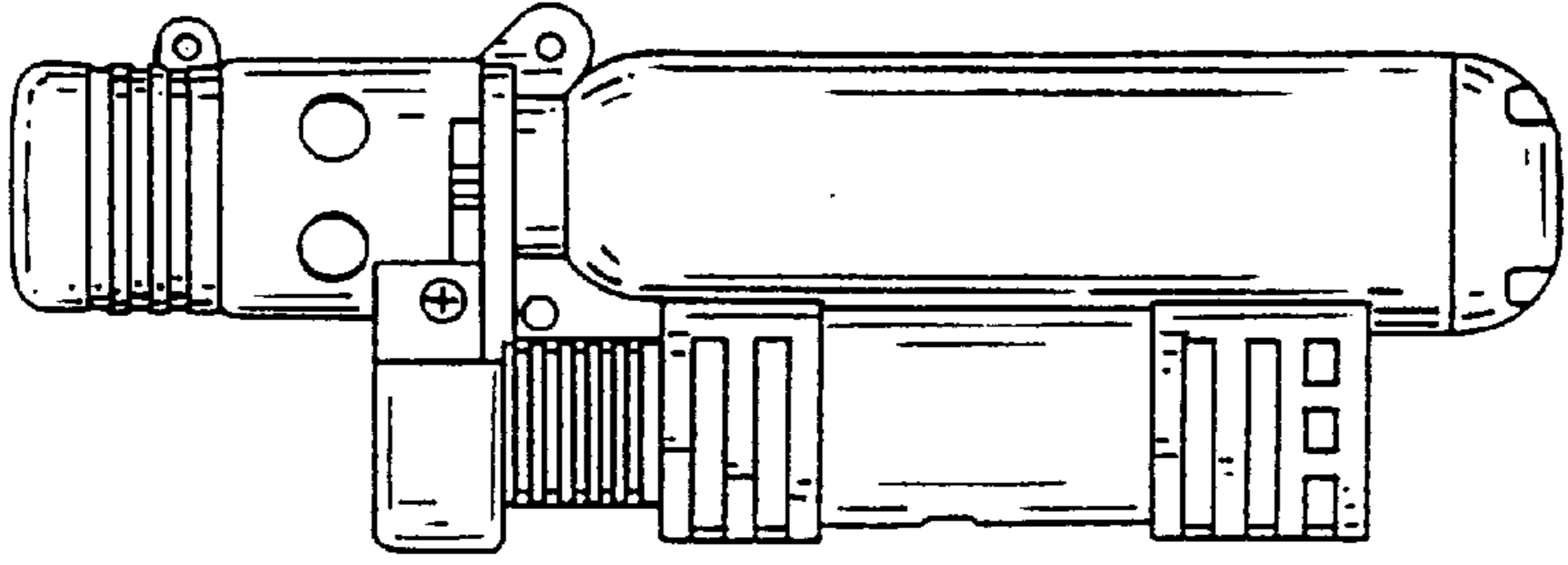


FIG. 4

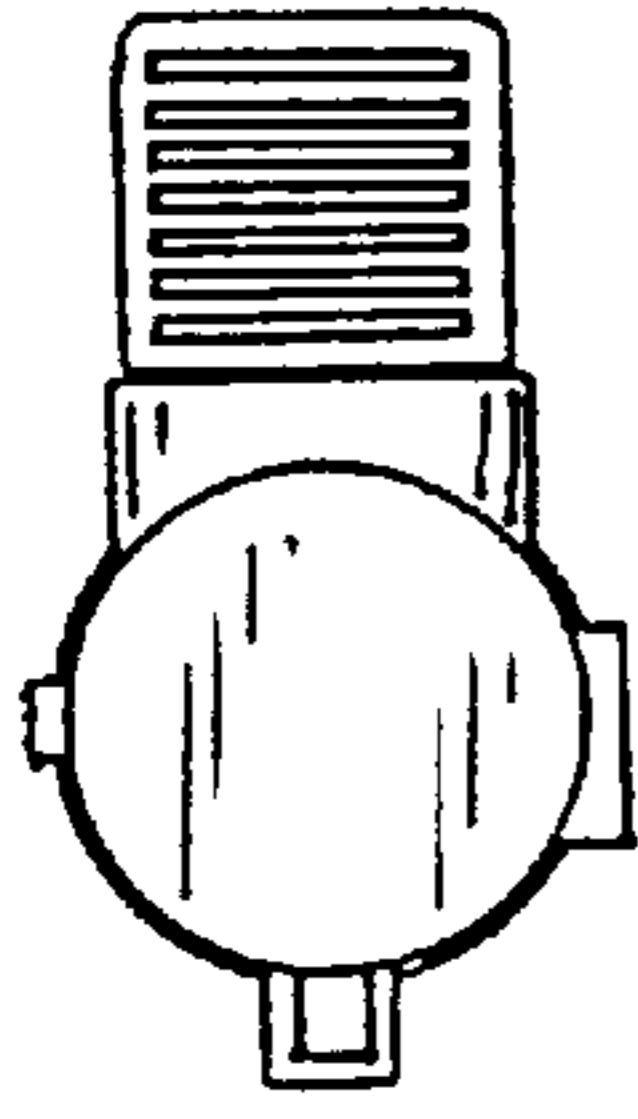


FIG. 5

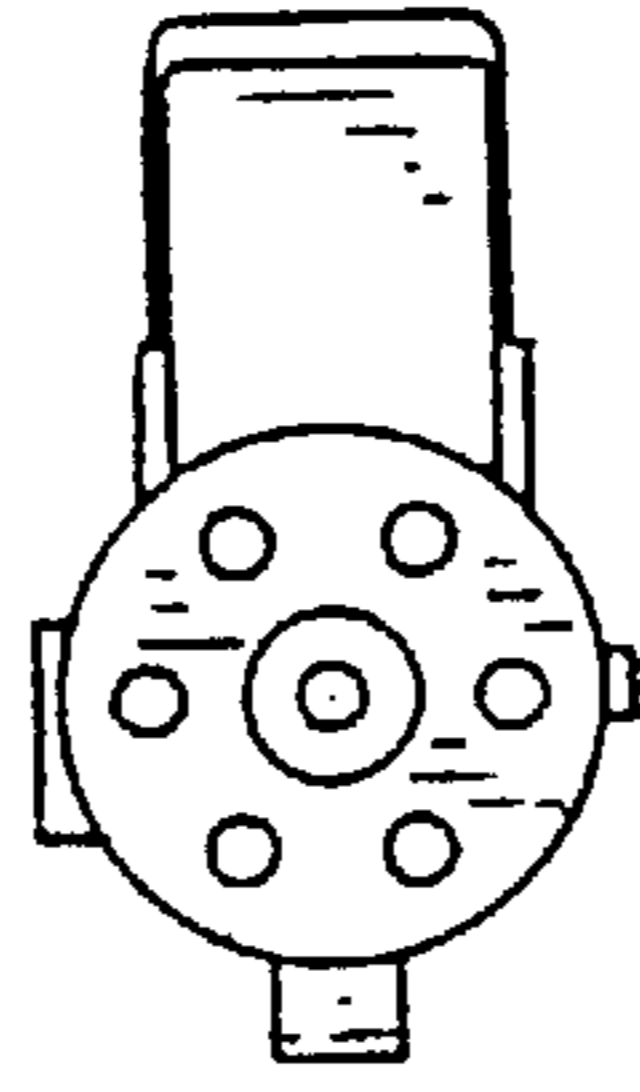


FIG. 6

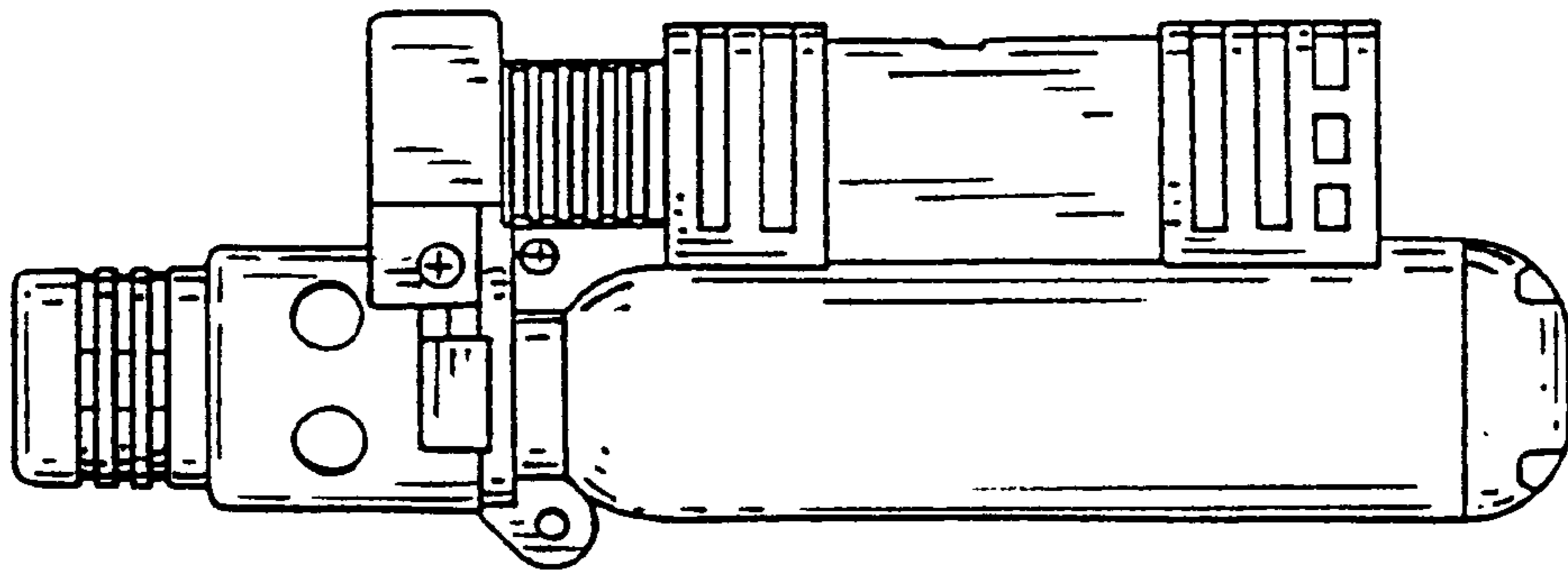


FIG. 7

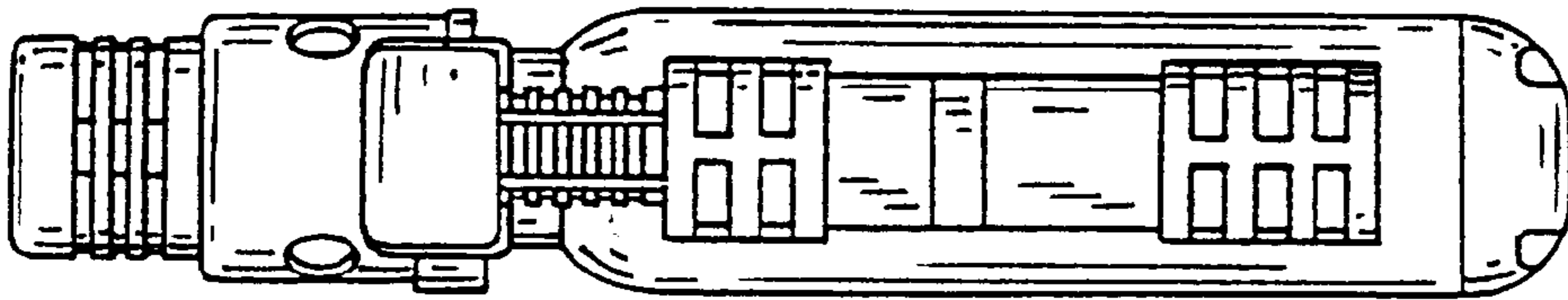


FIG. 8

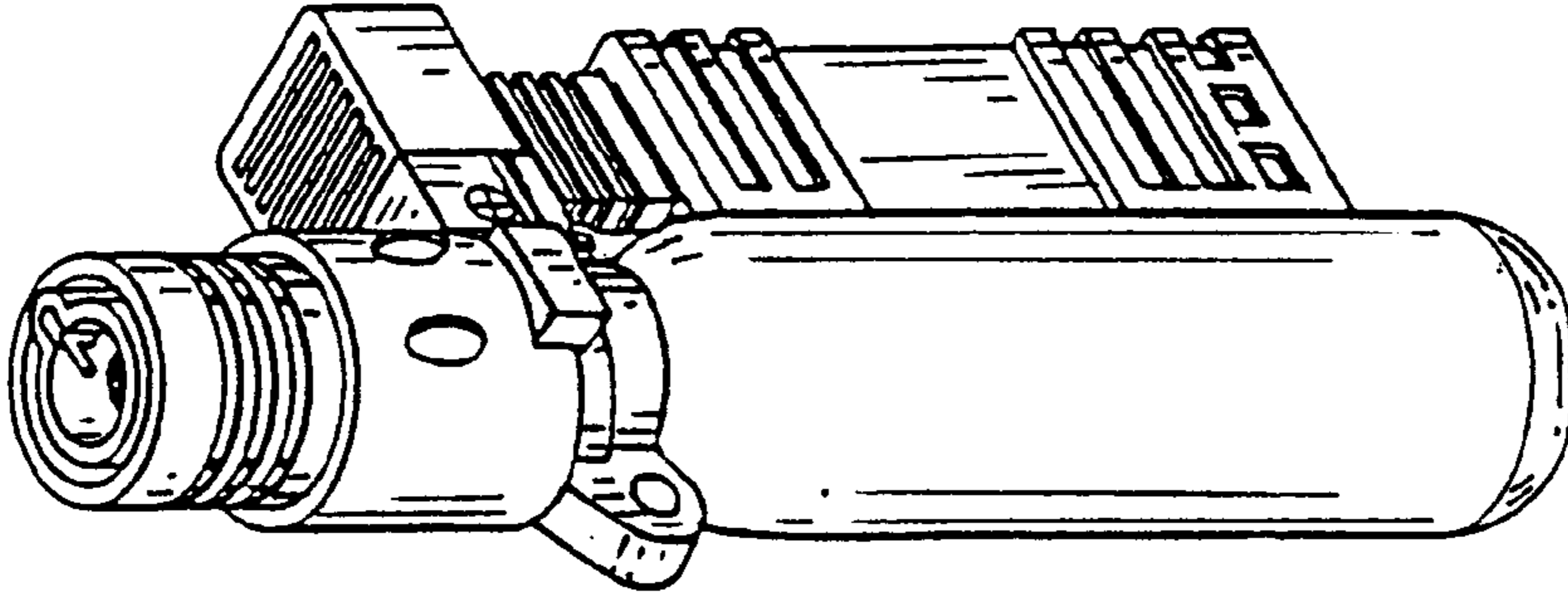


FIG. 9