



US00D414291S

United States Patent [19]

Gary et al.

[11] **Patent Number: Des. 414,291**

[45] **Date of Patent: ** Sep. 21, 1999**

[54] **COMBINATION CLIP FOR DECORATIVE LIGHTS**

[75] Inventors: **Lonnie F. Gary**, Ransom Canyon;
Stephen L. Fillipp; **Chad H. Jones**,
both of Lubbock, all of Tex.

[73] Assignee: **Gary Products Group, Inc.**, Lubbock,
Tex.

[**] Term: **14 Years**

[21] Appl. No.: **29/089,689**

[22] Filed: **Jun. 19, 1998**

[51] **LOC (6) Cl.** **26-99**

[52] **U.S. Cl.** **D26/138**; D8/395

[58] **Field of Search** D8/395; D26/138;
248/205.3, 316.7, 316.1; 362/249, 396

[56] **References Cited**

U.S. PATENT DOCUMENTS

- D. 325,866 5/1992 Gary D8/354
- D. 340,183 10/1993 Rumpel D8/349 X

- D. 356,246 3/1995 Adams D8/349 X
- D. 376,535 12/1996 Gary et al. D8/395
- 3,540,687 11/1970 Cuva 248/316.1
- 3,599,918 8/1971 Patchett 248/215
- 4,905,131 2/1990 Gary 362/249
- 5,581,956 12/1996 Fennessy et al. 362/249 X

Primary Examiner—Holly Baynham
Attorney, Agent, or Firm—Monty L. Ross; Locke Liddell & Sapp LLP

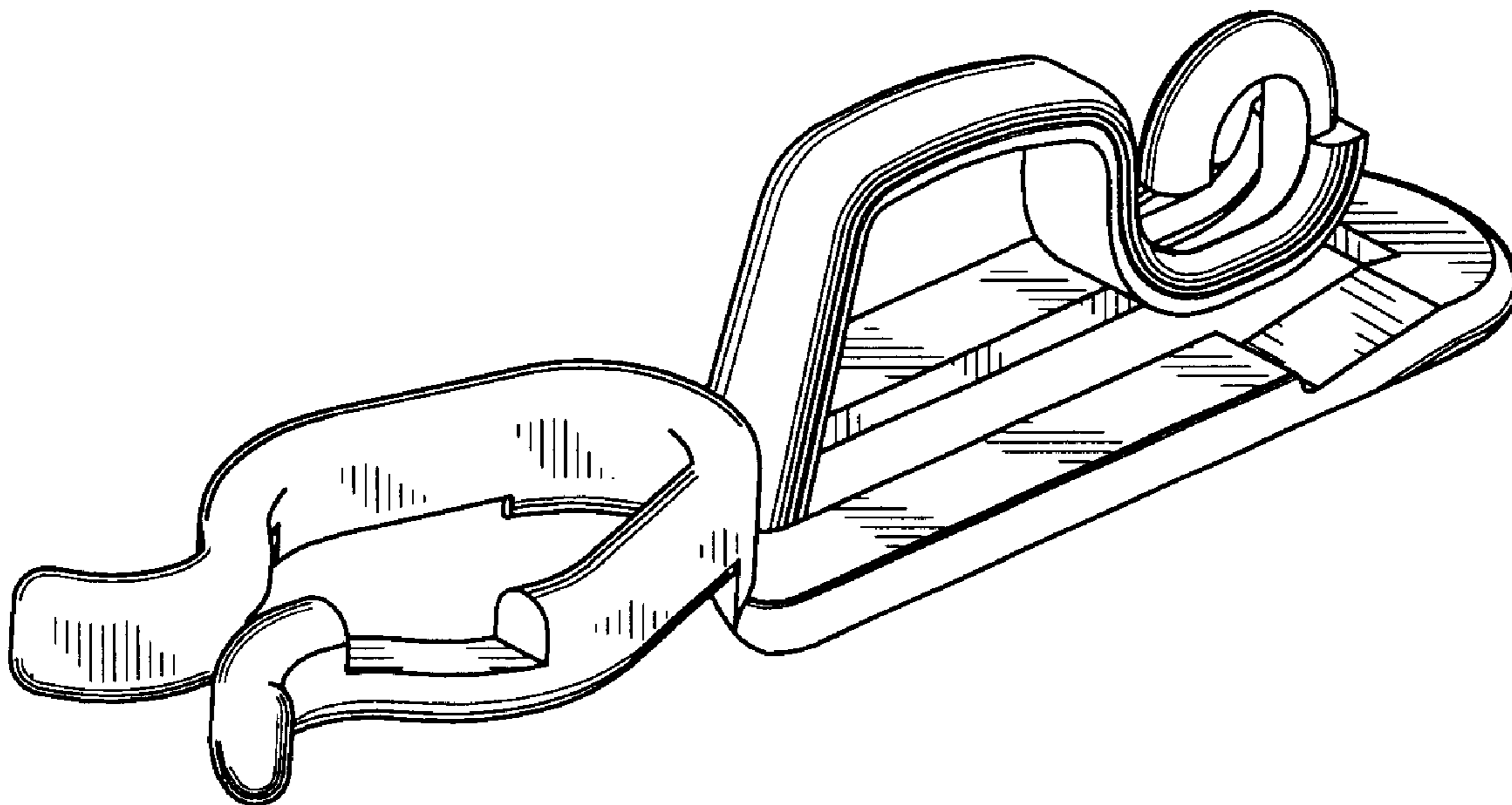
[57] **CLAIM**

The ornamental design for a combination clip for decorative lights, as shown and described.

DESCRIPTION

FIG. 1 is a frontal perspective view of a combination clip for decorative lights illustrating our new design; FIG. 2 is a top plan view thereof; FIG. 3 is a front elevation view thereof; FIG. 4 is a left side elevation view thereof; FIG. 5 is a rear elevation view thereof; FIG. 6 is a bottom plan view thereof; and, FIG. 7 is a right side elevation view thereof.

1 Claim, 1 Drawing Sheet



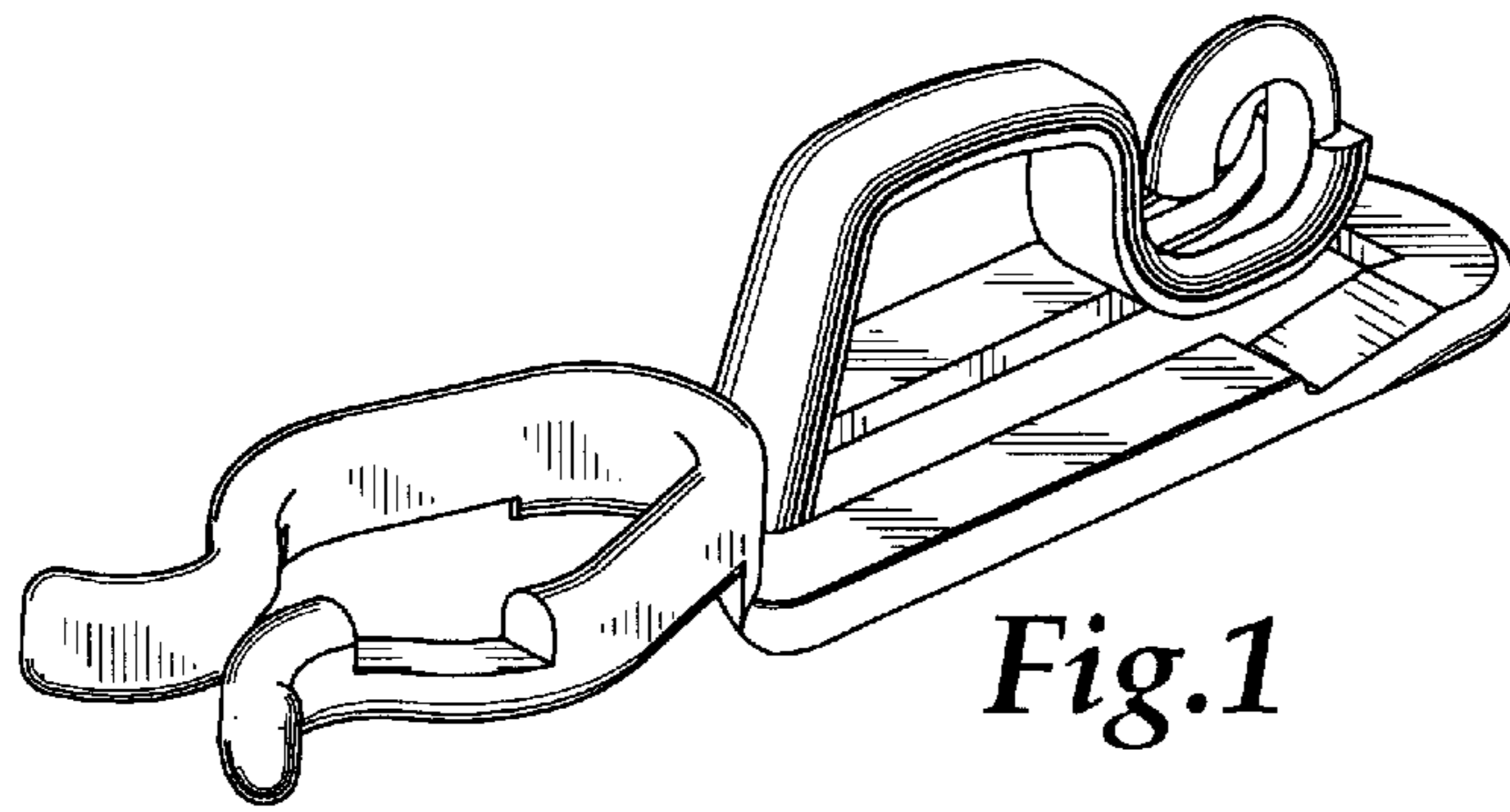


Fig.1

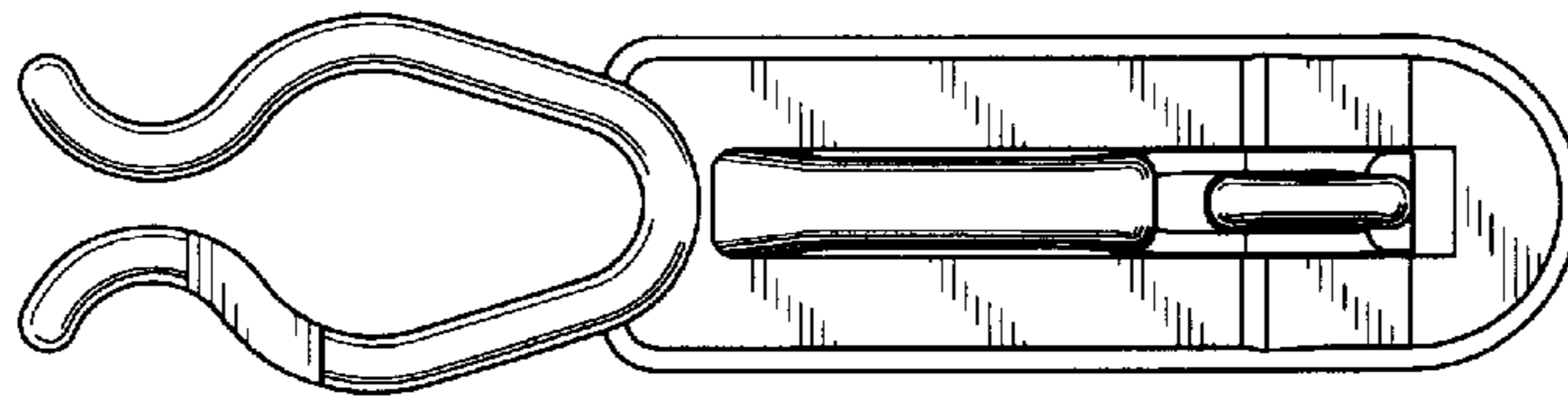


Fig.2

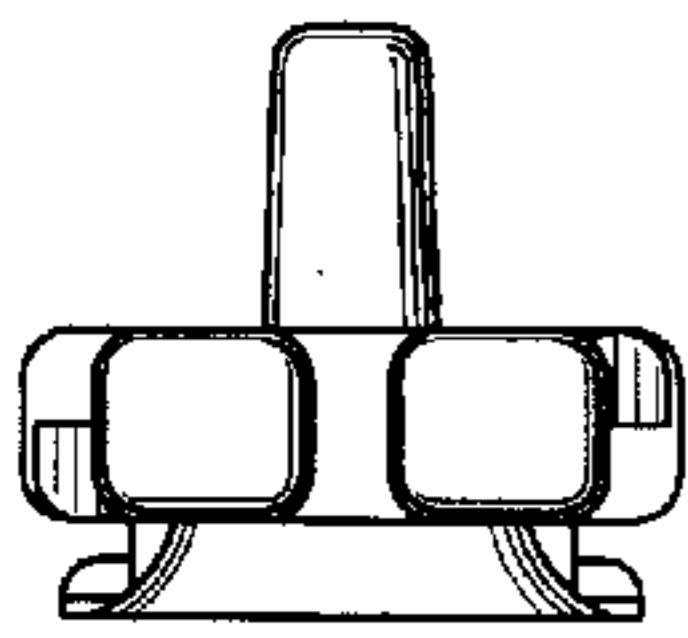


Fig.3

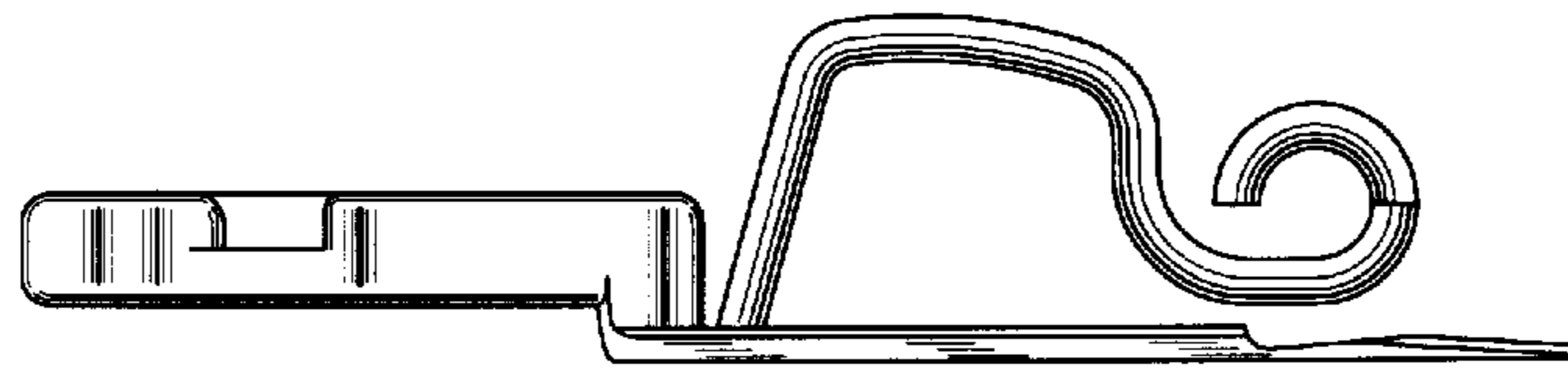


Fig.4

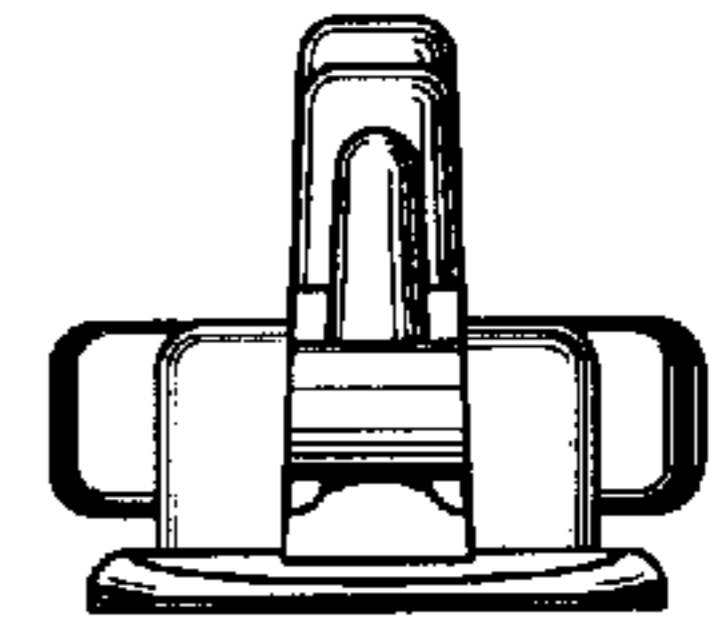


Fig.5

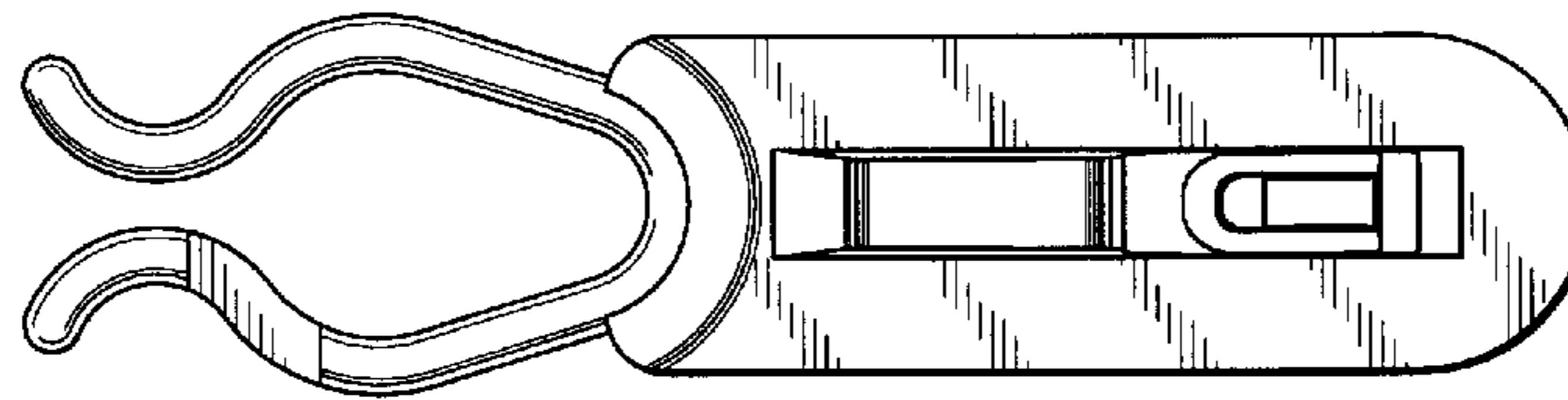


Fig.6

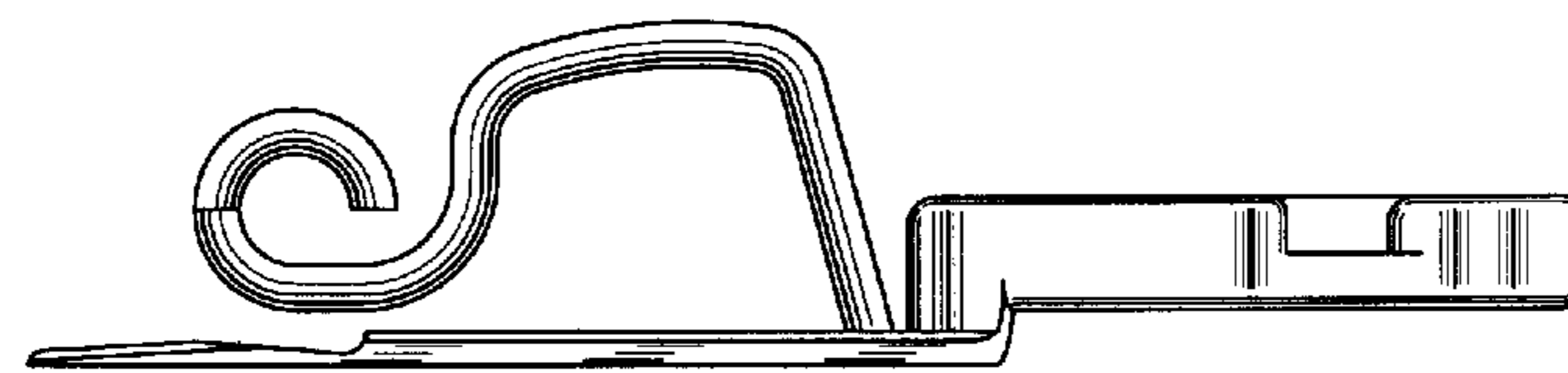


Fig.7