



US00D414288S

United States Patent [19]

Littman et al.

[11] Patent Number: Des. 414,288

[45] Date of Patent: ** Sep. 21, 1999

[54] LIGHTING FIXTURE

[75] Inventors: Sandra E. Littman, New York, N.Y.;
Karina S. Kaufman, New York, N.Y.

[73] Assignee: Sandy Littman, Inc., New York, N.Y.

[**] Term: 14 Years

[21] Appl. No.: 29/095,037

[22] Filed: Oct. 15, 1998

Related U.S. Application Data

[62] Division of application No. 29/078,086, Oct. 17, 1997, Pat. No. Des. 400,285, which is a division of application No. 29/048,318, Dec. 26, 1995, Pat. No. Des. 386,806.

[51] LOC (6) Cl. 26-05

[52] U.S. Cl. D26/87

[58] Field of Search D26/72, 75, 76,
D26/77, 78, 80-92; 362/147, 404, 406,
407, 408, 432

[56] References Cited

U.S. PATENT DOCUMENTS

D. 384,765 10/1997 Littman et al. D26/87

OTHER PUBLICATIONS

Home Lighting and Accessories, p. 125, Eurofase wall sconce, top, left, Sep. 1933.

Primary Examiner—Susan J. Lucas
Attorney, Agent, or Firm—Schweitzer Cornman Gross & Bondell LLP

[57] CLAIM

We claim the ornamental design for a lighting fixture, as shown and described.

DESCRIPTION

FIG. 1 is a front elevational view embodying our design for a lighting fixture;
FIG. 2 is a side elevational view thereof, the opposite side being a mirror image;
FIG. 3 is a top plan view thereof;
FIG. 4 is a bottom plan view thereof; and,
FIG. 5 is a rear elevational view thereof.

1 Claim, 2 Drawing Sheets

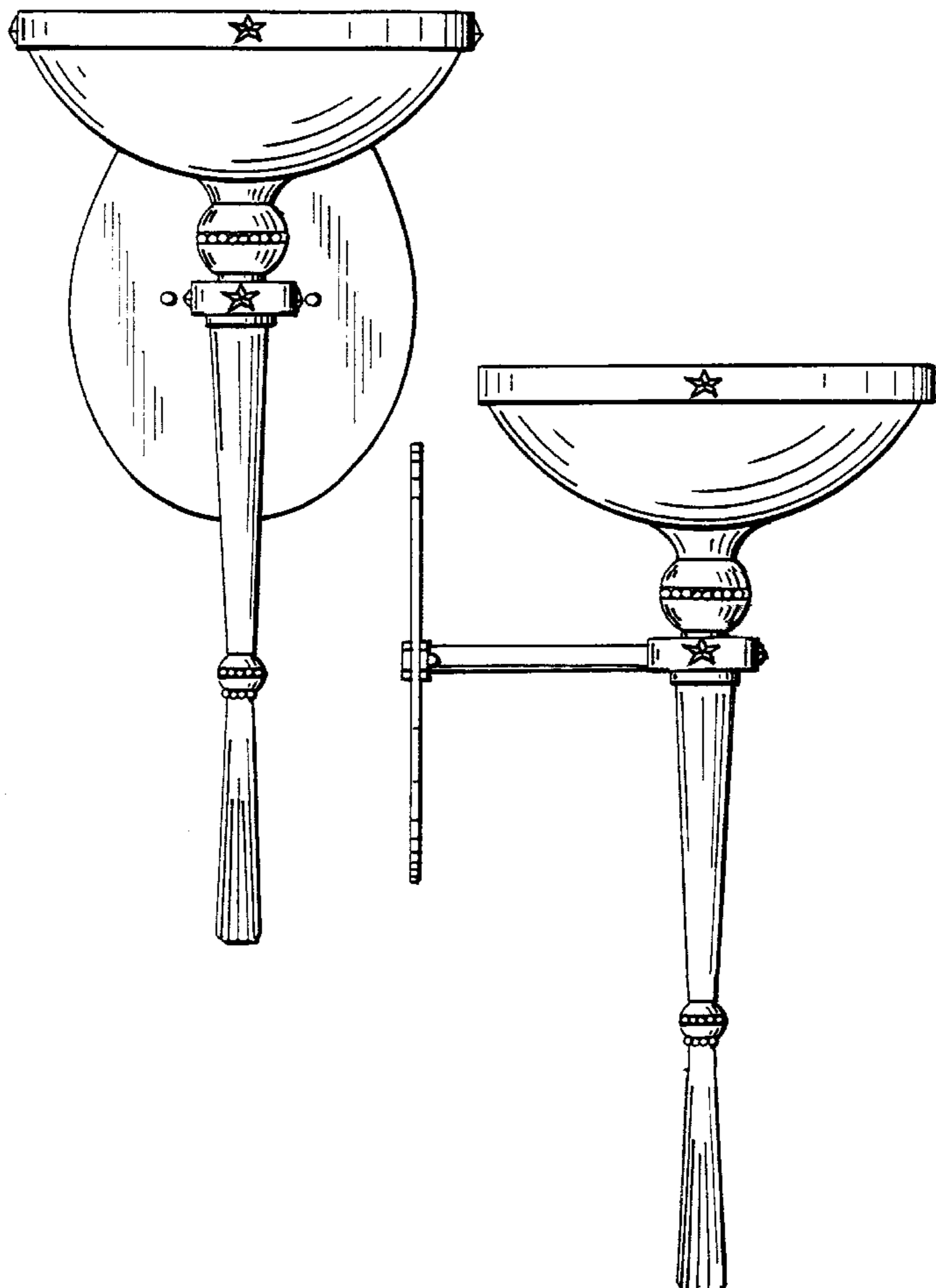


FIG. 1

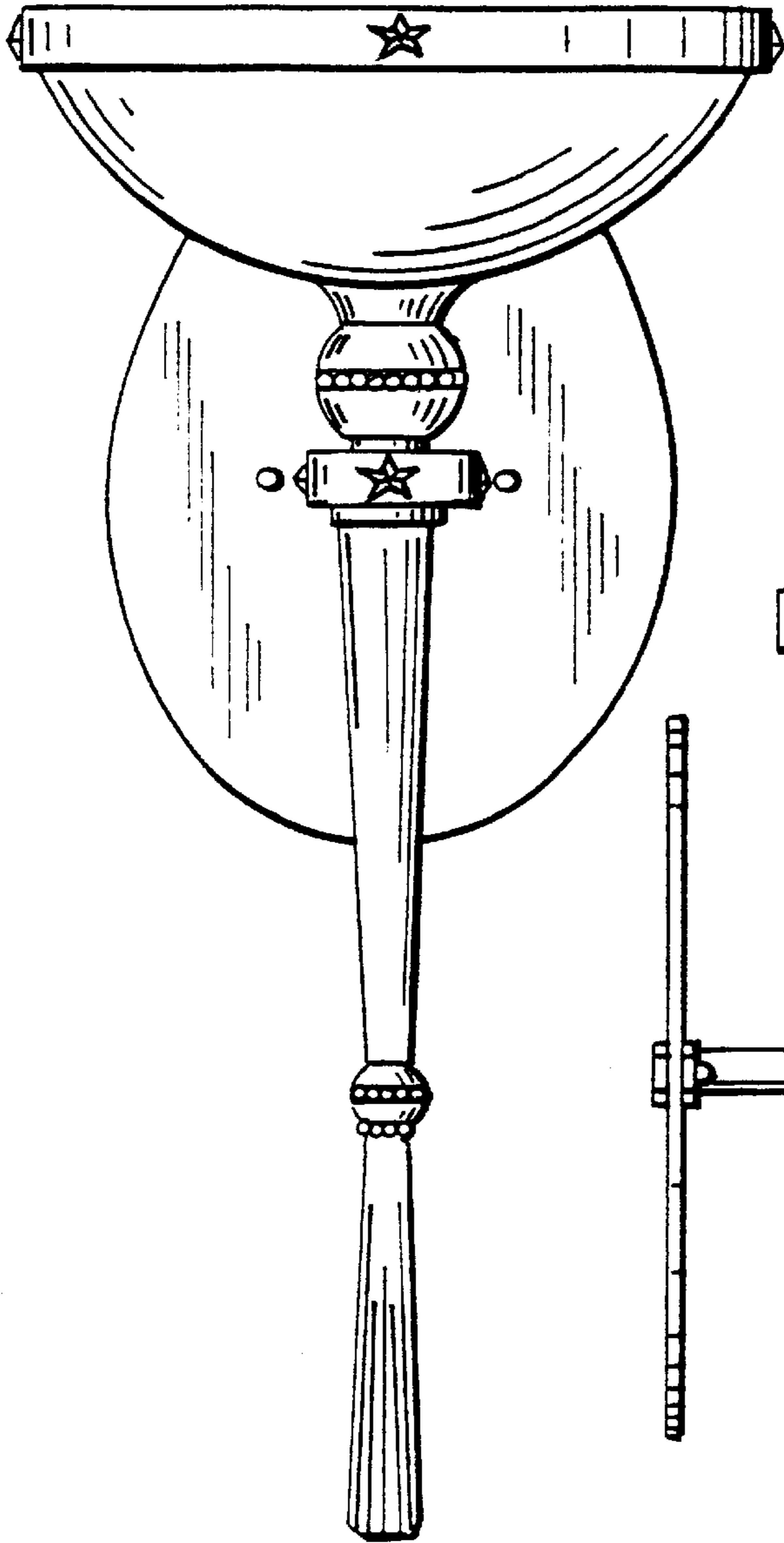


FIG. 2

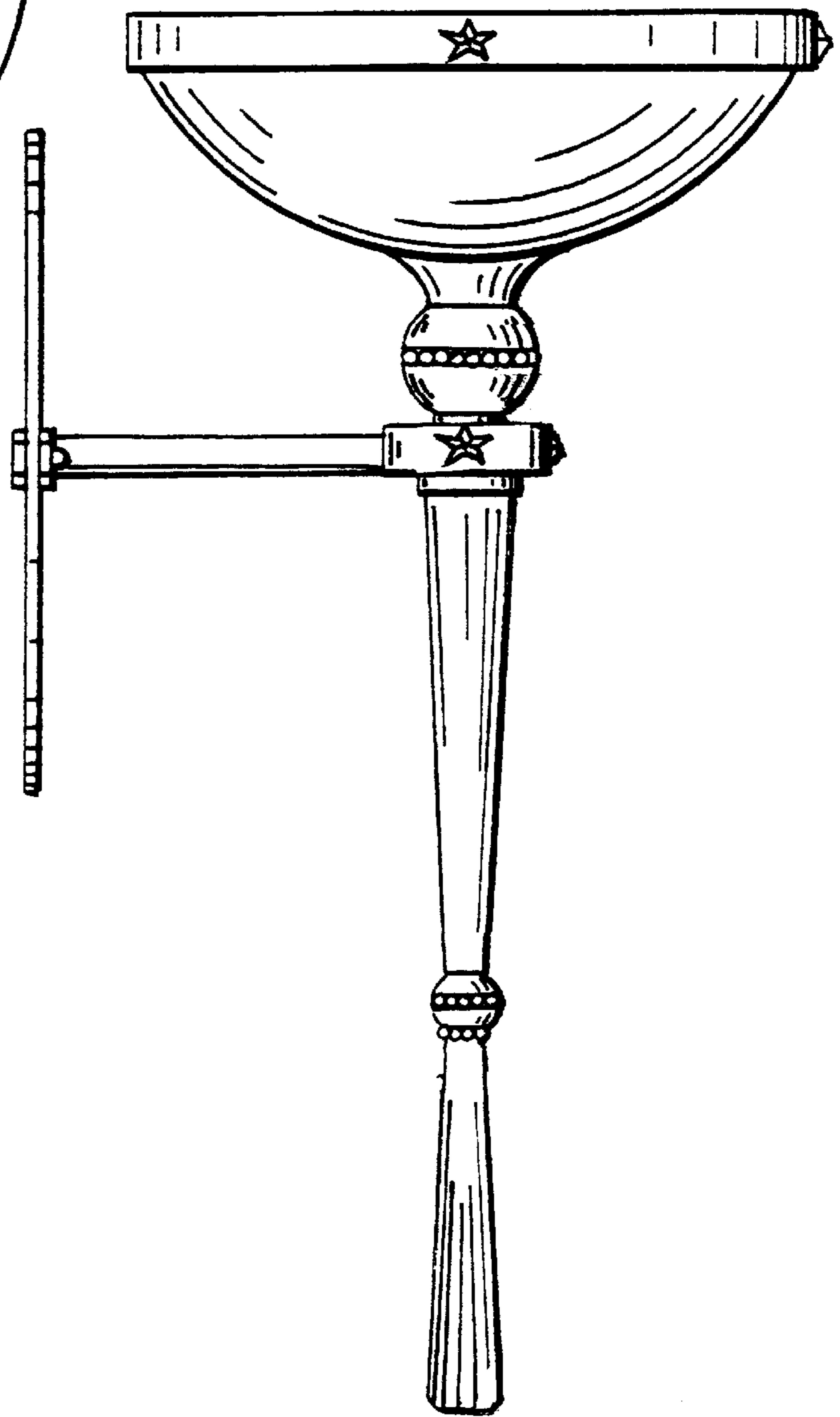


FIG. 3

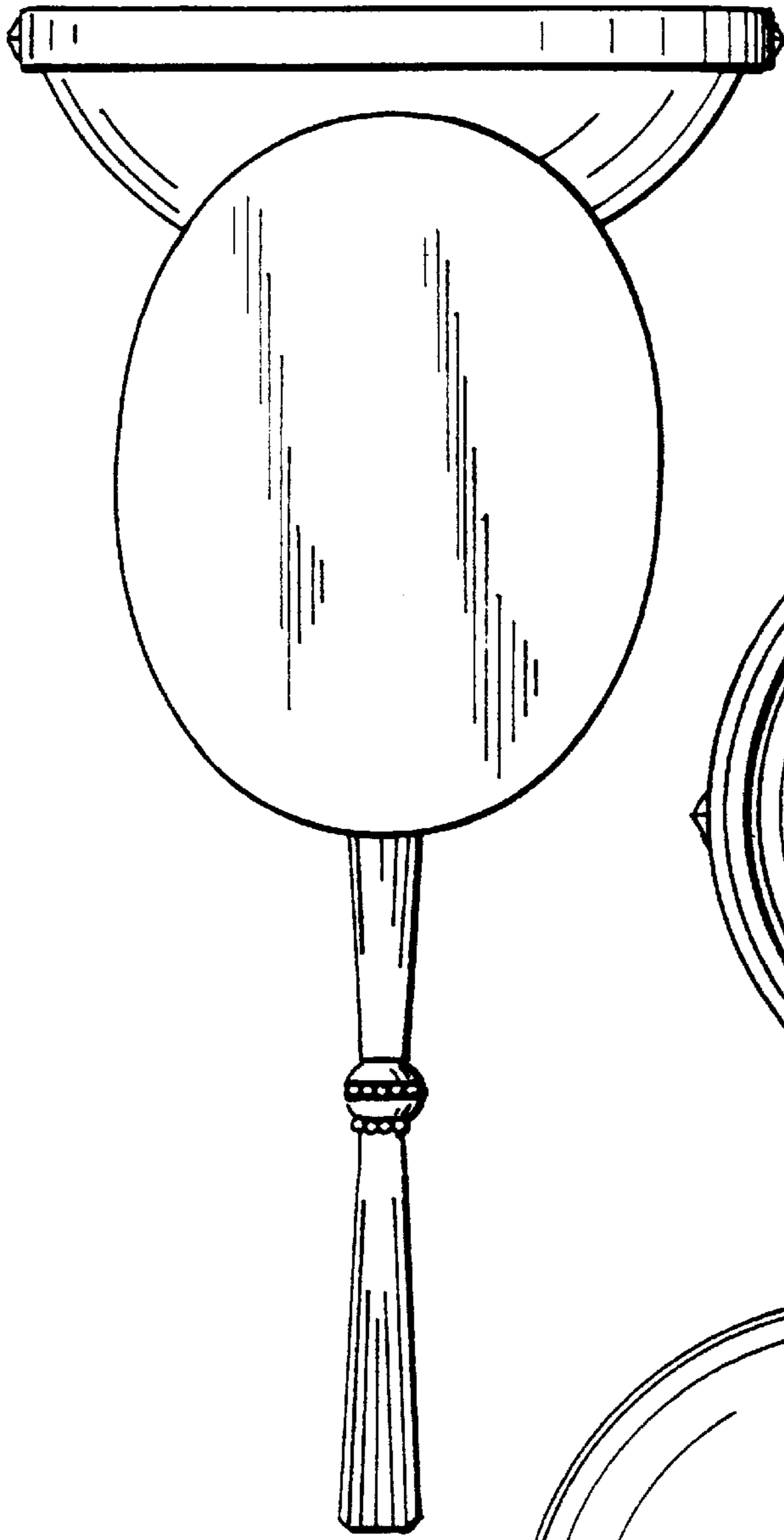


FIG. 4

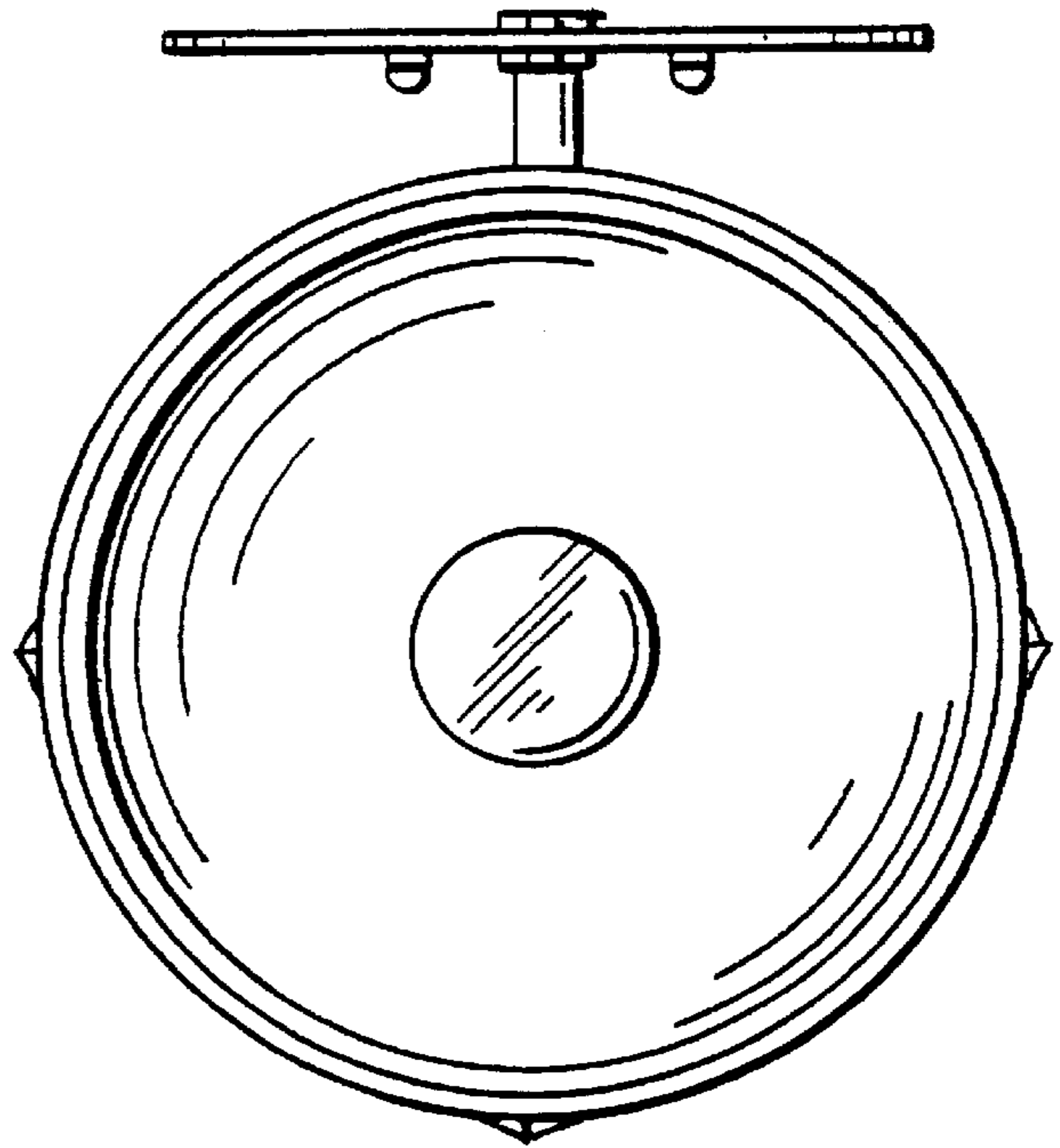


FIG. 5

