



US00D414285S

United States Patent [19]
Chen

[11] **Patent Number: Des. 414,285**

[45] **Date of Patent: ** Sep. 21, 1999**

[54] **COMBINED TOOL CASE AND FLASHLIGHT**

[76] Inventor: **Chung-Ming Chen**, 10F-3, No.9, Sec.2, Roosevelt Road, Taipei, Taiwan

[**] Term: **14 Years**

[21] Appl. No.: **29/084,244**

[22] Filed: **Feb. 27, 1998**

[51] **LOC (6) Cl.** **26-02**

[52] **U.S. Cl.** **D26/38**

[58] **Field of Search** D26/37-50; D3/274, D3/276, 282, 905; 362/157, 158, 183-208

[56] **References Cited**

U.S. PATENT DOCUMENTS

D. 376,908	12/1996	Hsu	D26/38
D. 389,593	1/1998	Shiao	D26/38
D. 393,784	4/1998	Lee	D26/38
D. 406,668	3/1999	Yuen	D26/38

Primary Examiner—Marcus A. Jackson
Attorney, Agent, or Firm—Smith, Gambrell & Russell, LLP; Beveridge, DeGrandi, Weilacher & Young Intellectual Property Group

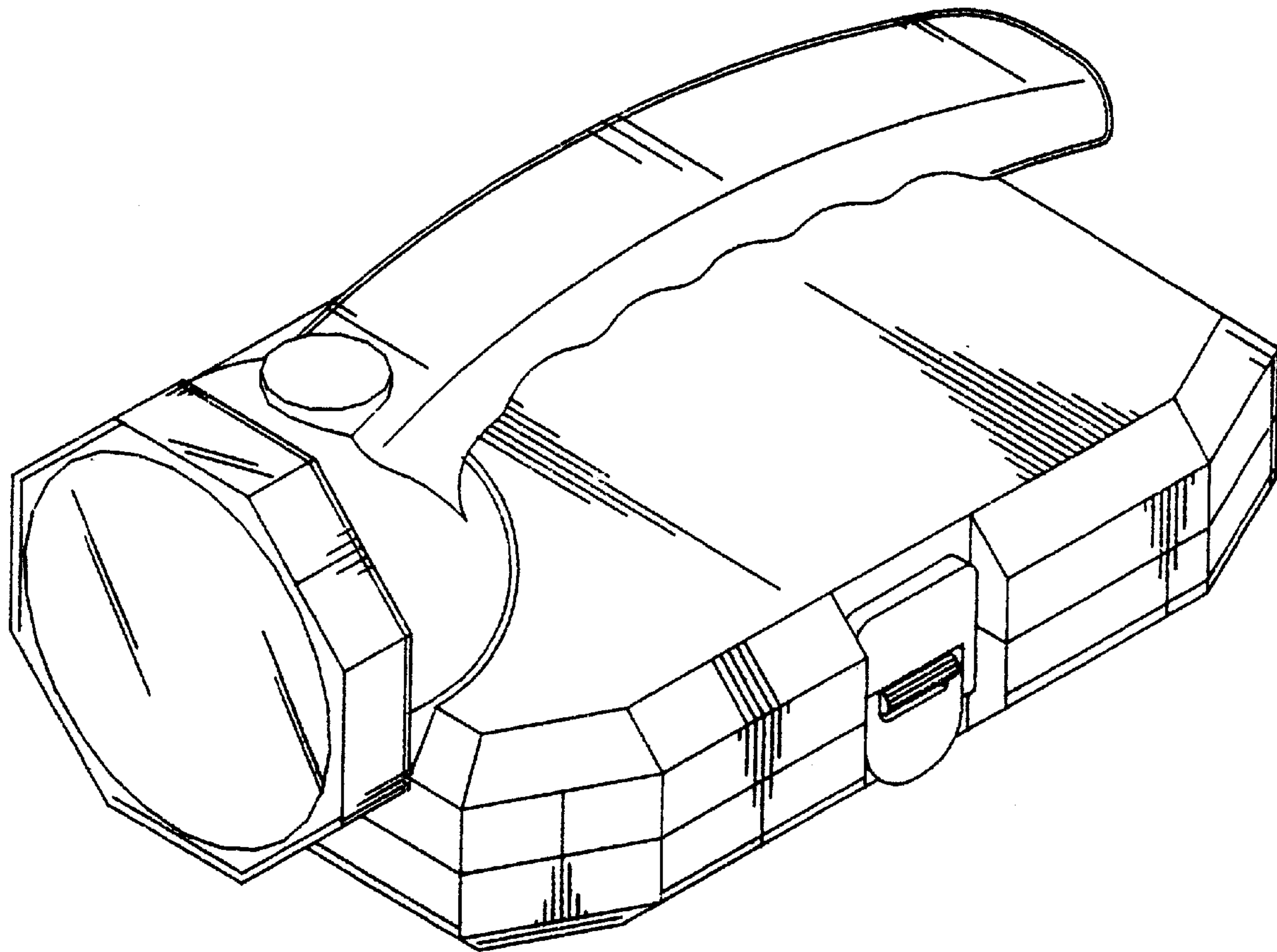
[57] **CLAIM**

The ornamental design for a combined tool case and flashlight, as shown and described.

DESCRIPTION

FIG. 1 is a front elevational view of a combined tool case and flashlight showing my design;
FIG. 2 is a rear elevational view thereof;
FIG. 3 is a left side elevational view thereof;
FIG. 4 is a right side elevational view thereof;
FIG. 5 is a top plan view thereof;
FIG. 6 is a bottom plan view thereof; and,
FIG. 7 is a perspective view thereof.

1 Claim, 4 Drawing Sheets



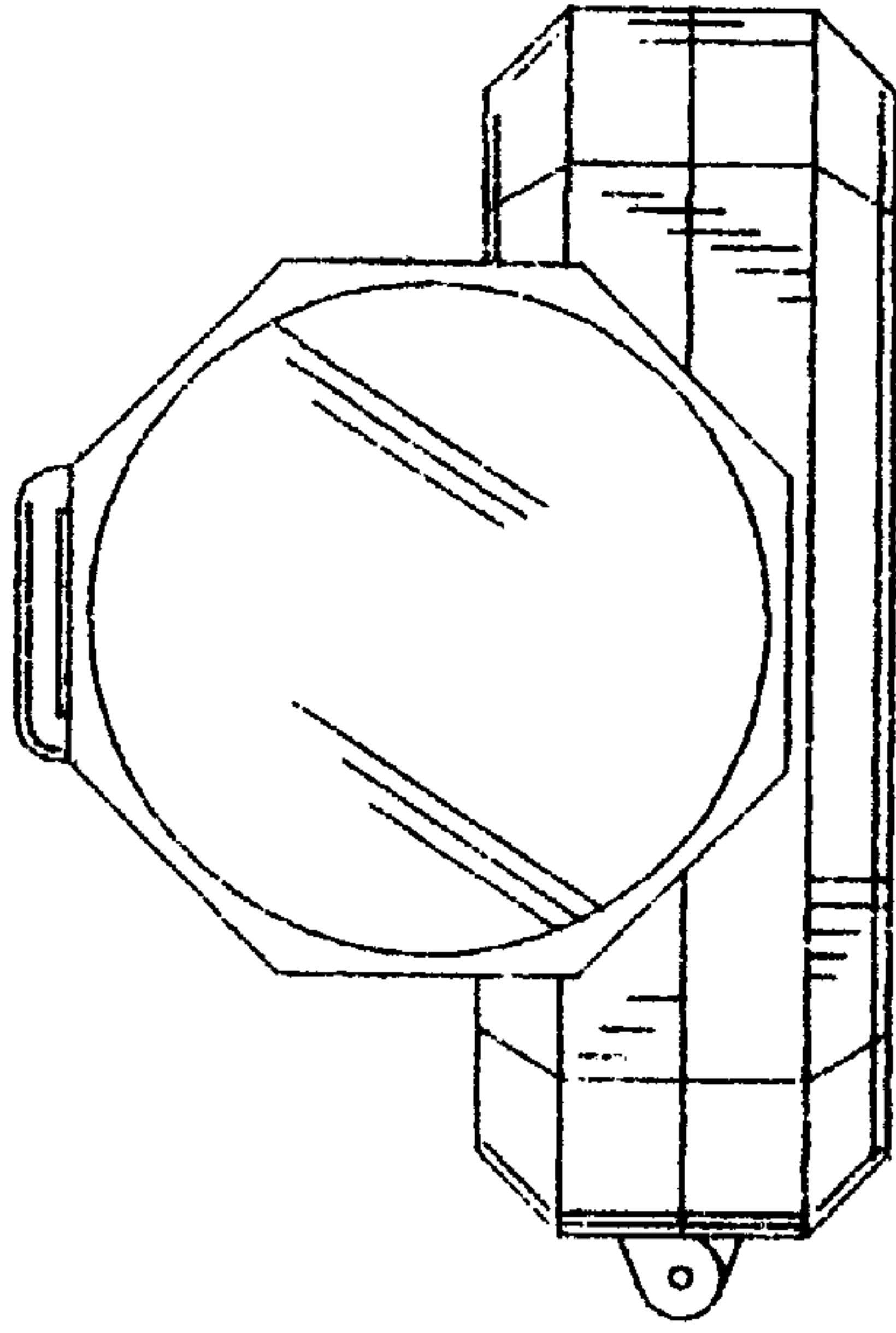


FIG 1

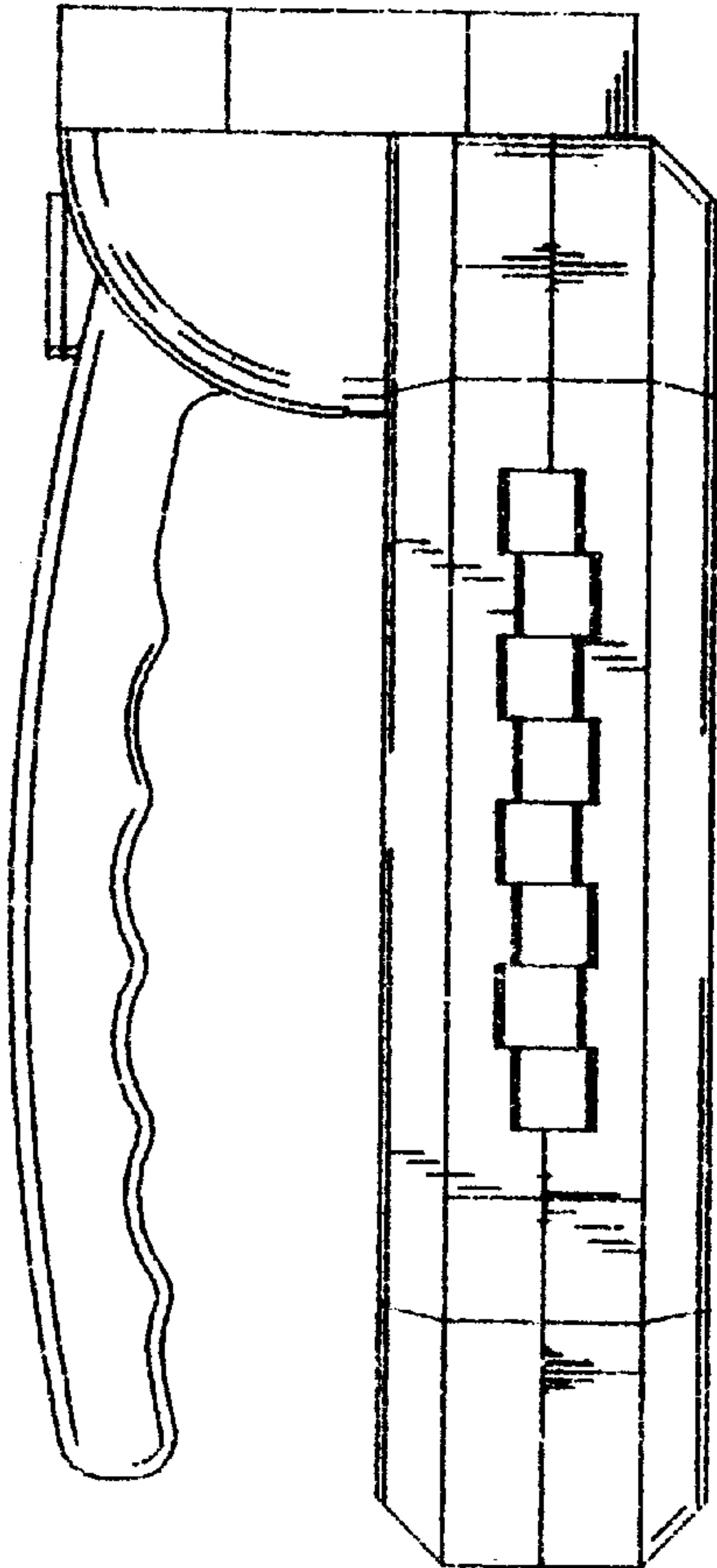


FIG 3

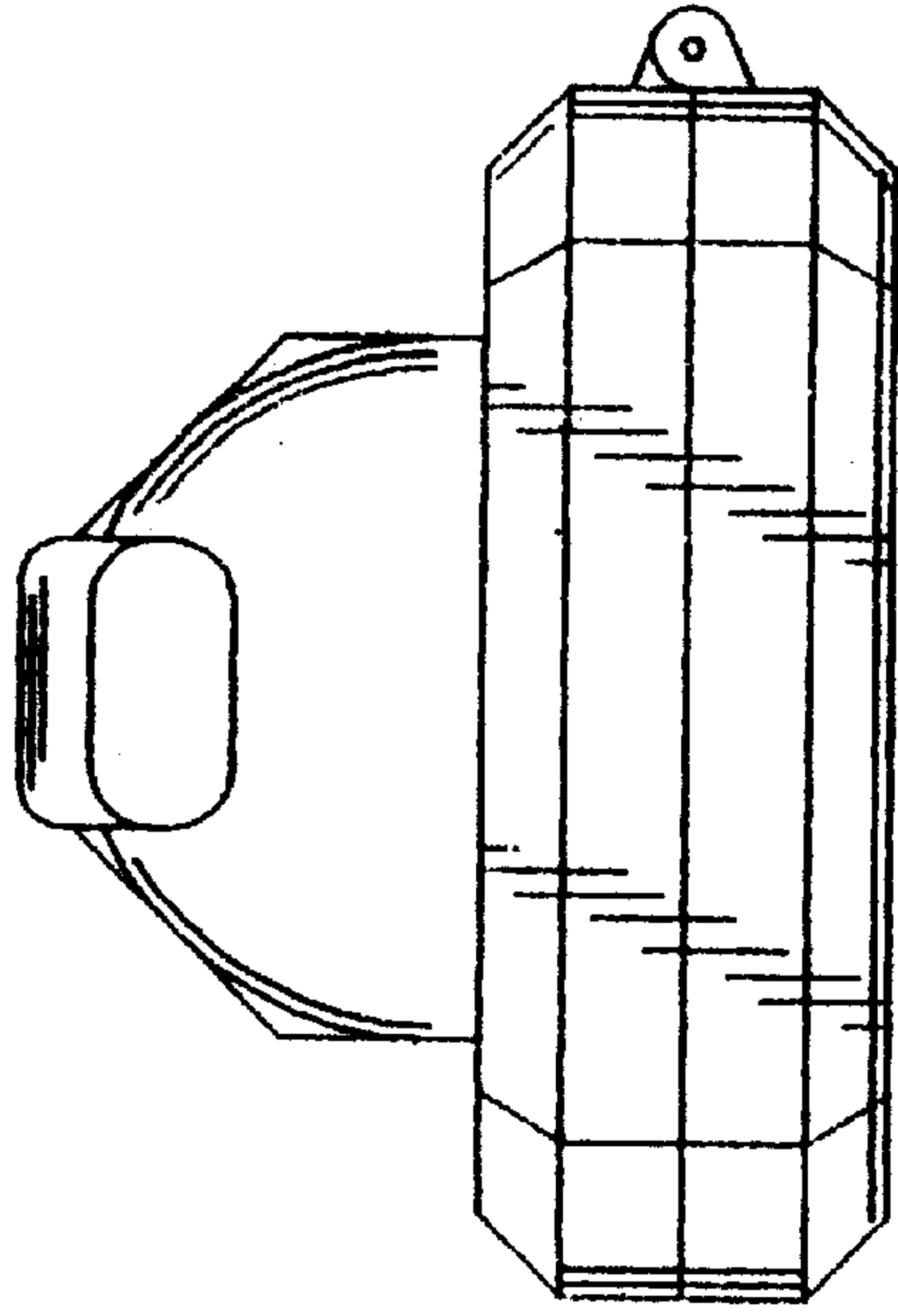


FIG 2

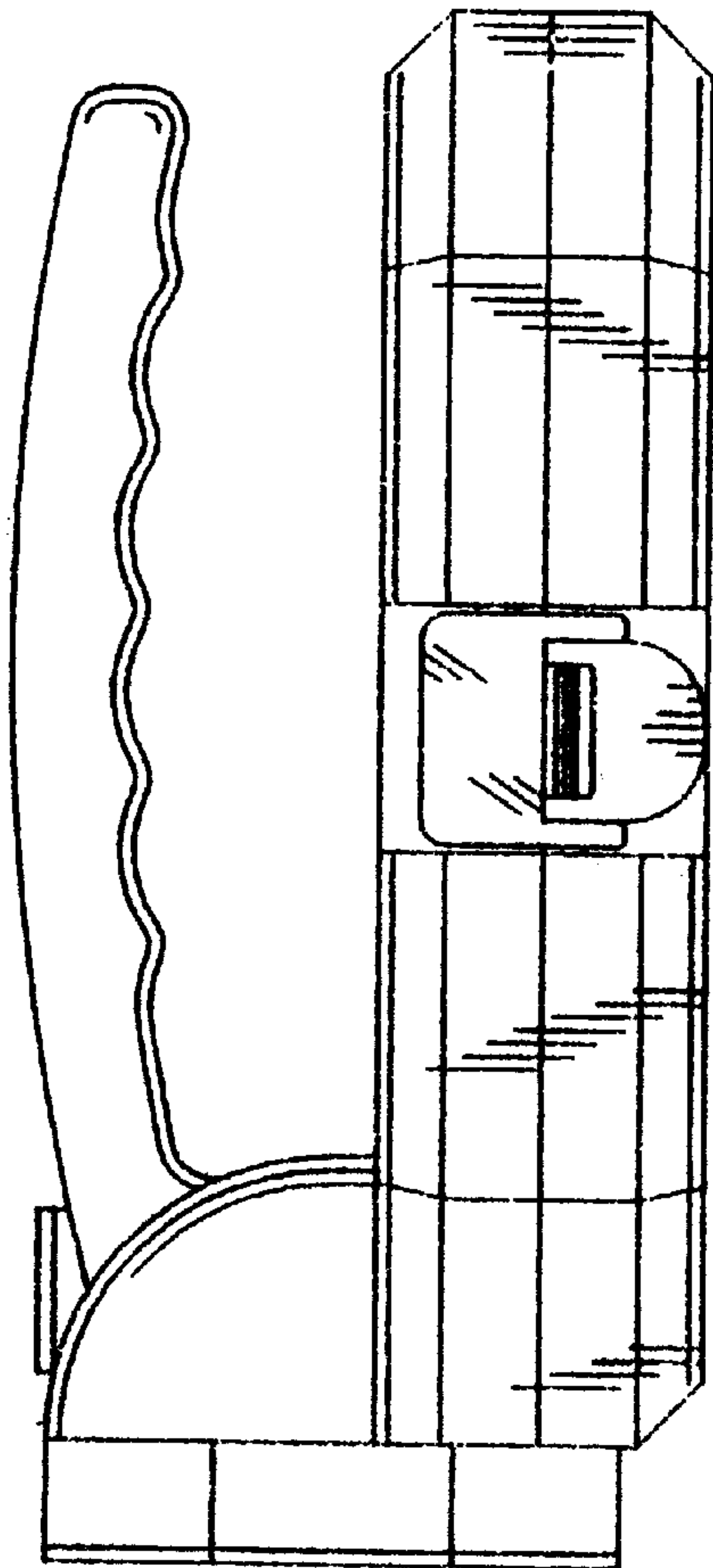


FIG 4

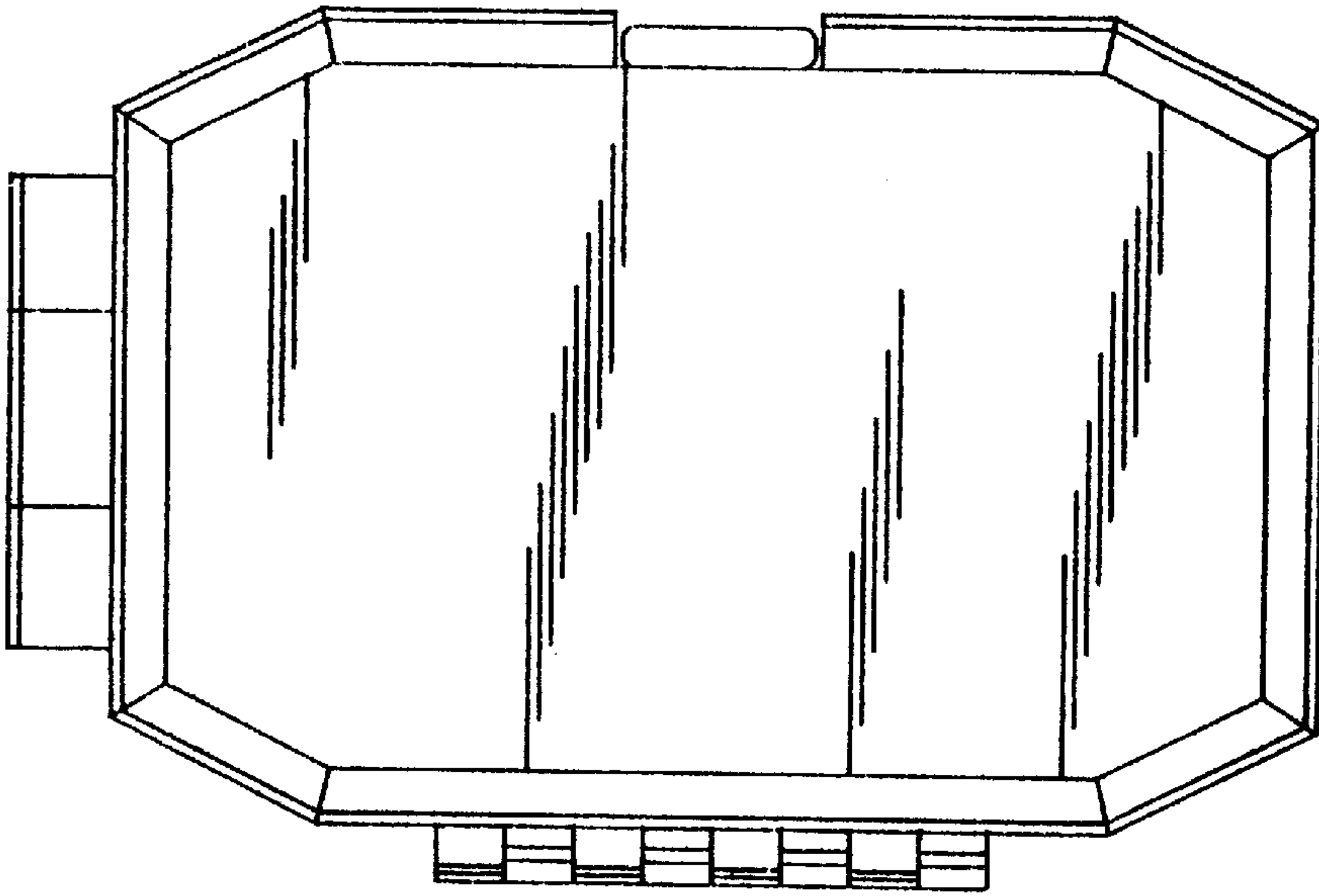


FIG. 6

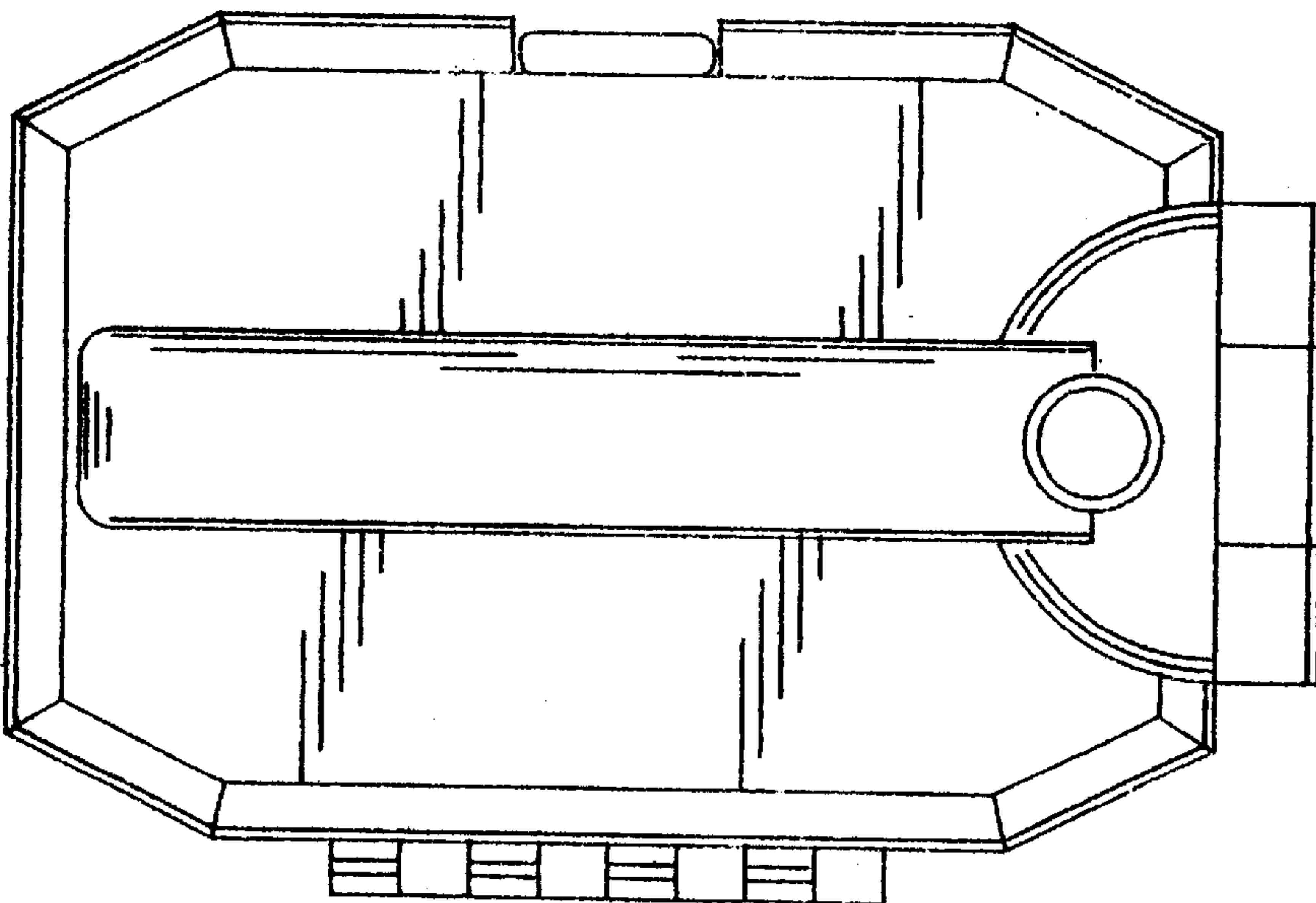


FIG. 5

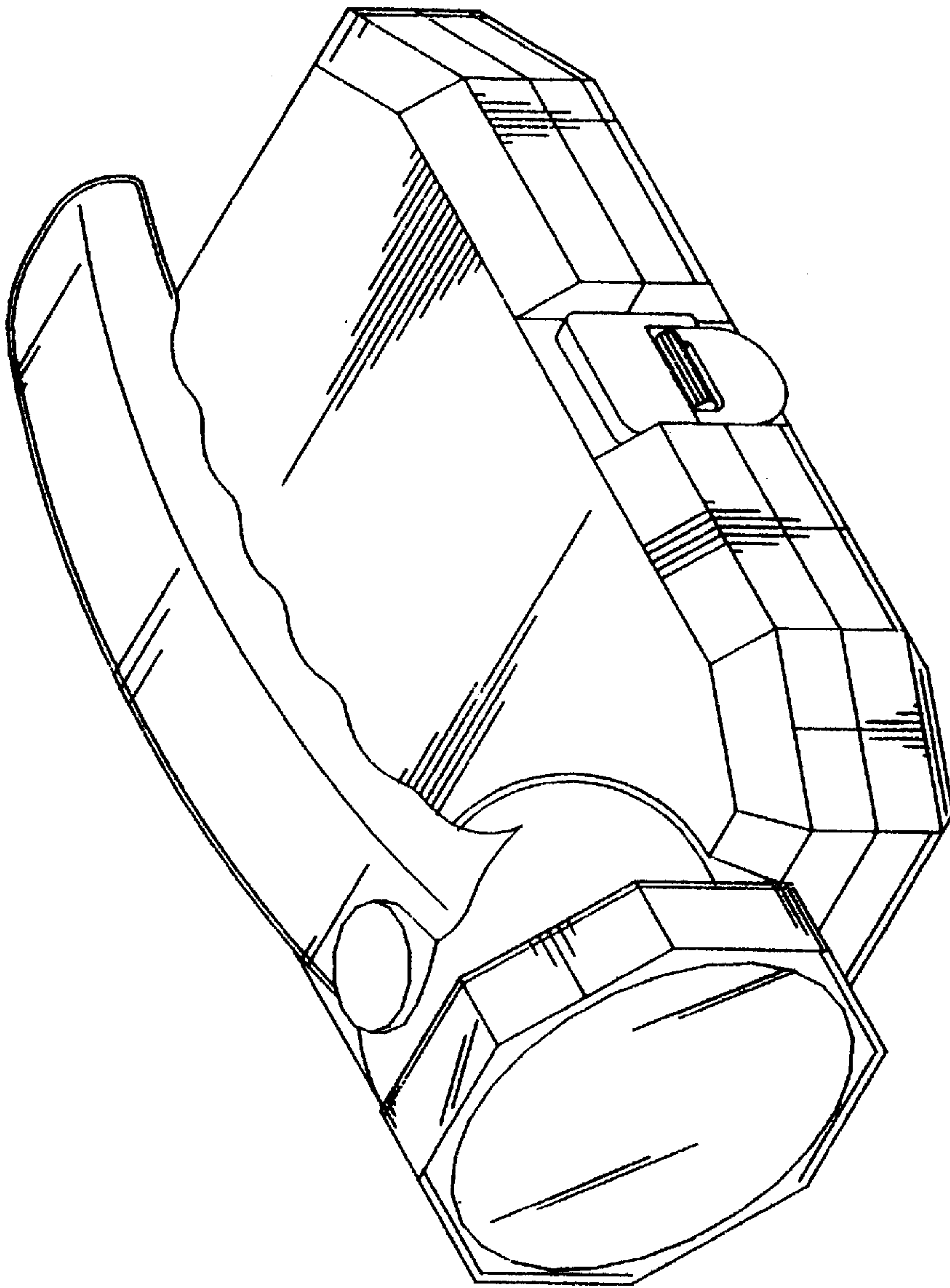


FIG. 7