



US00D414284S

United States Patent [19]

Zelina, Jr. et al.

[11] Patent Number: **Des. 414,284**

[45] Date of Patent: **** Sep. 21, 1999**

[54] **PORTABLE LIGHT AND CHARGING BASE**

D. 377,538 1/1997 Blevins D26/38
D. 385,984 11/1997 Wan D26/38

[75] Inventors: **Thomas N. Zelina, Jr.; Jason Williams**, both of Erie, Pa.; **Charles Chol**, Mount Prospect, Ill.

Primary Examiner—Marcus A. Jackson
Attorney, Agent, or Firm—Hill & Simpson

[73] Assignee: **Lectro Science, Inc.**, Erie, Pa.

[57] **CLAIM**

[**] Term: **14 Years**

The ornamental design for a “portable light and charging base,” as shown and described.

[21] Appl. No.: **29/083,839**

DESCRIPTION

[22] Filed: **Feb. 17, 1998**

FIG. 1 is a side perspective of a portable light and charging base of this invention.

[51] **LOC (6) Cl.** **26-02**

FIG. 2 is a front elevational view of the light and charging base of FIG. 1.

[52] **U.S. Cl.** **D26/38**

[58] **Field of Search** D26/37-50; 362/157, 362/158, 183-208

FIG. 3 is a rear elevational view of the light and charging base of FIG. 1.

FIG. 4 is a view from the right side of FIG. 2.

[56] **References Cited**

U.S. PATENT DOCUMENTS

- D. 297,265 8/1988 Ingram D26/38
- D. 307,058 4/1990 Yuen D26/38
- D. 308,253 5/1990 Battles et al. D26/38

FIG. 5 is a view similar to FIG. 4, from the opposite side thereof; and,

FIG. 6 is a top plan view of a portable light and charging base of FIG. 1.

1 Claim, 4 Drawing Sheets

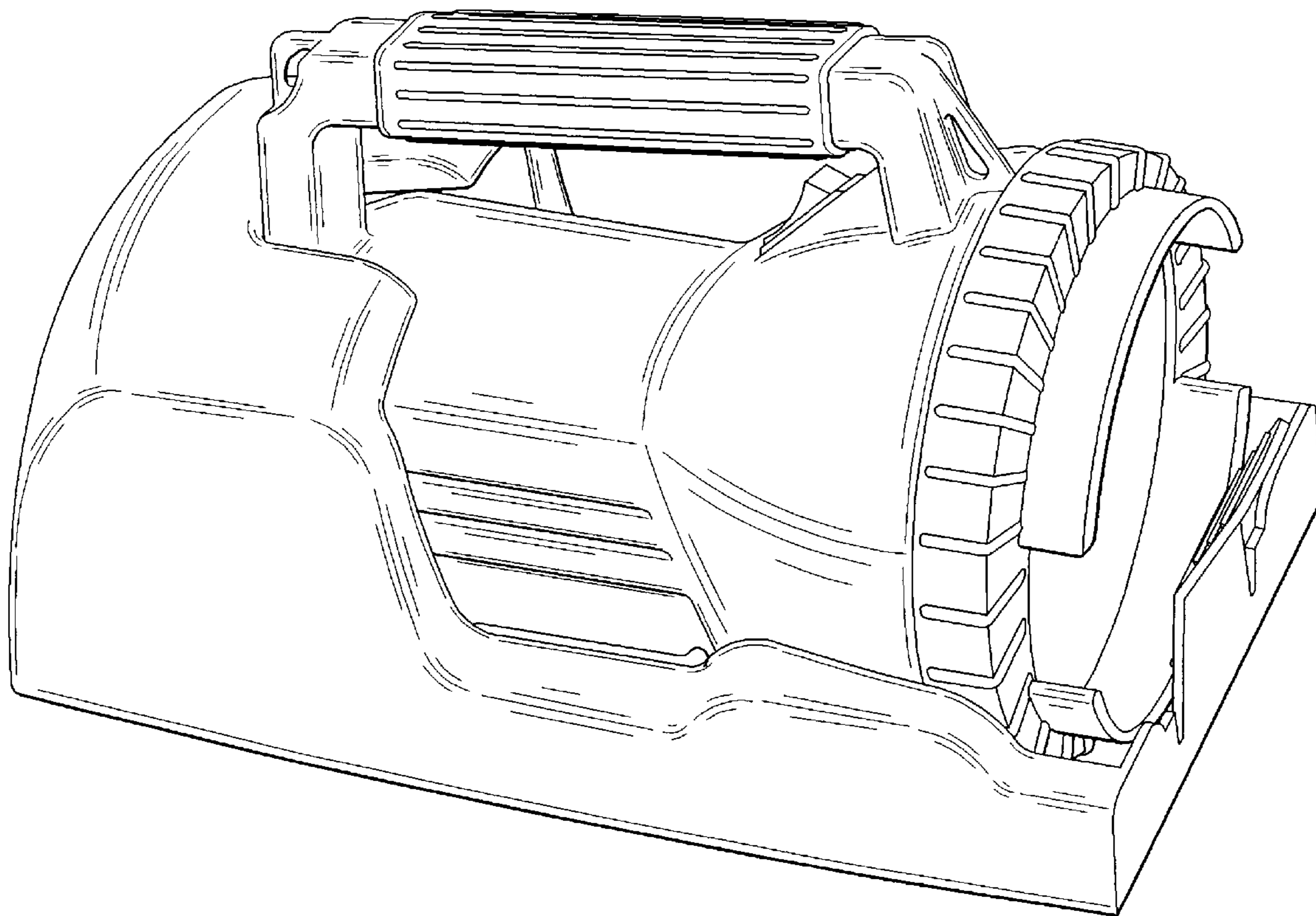


FIG. 1

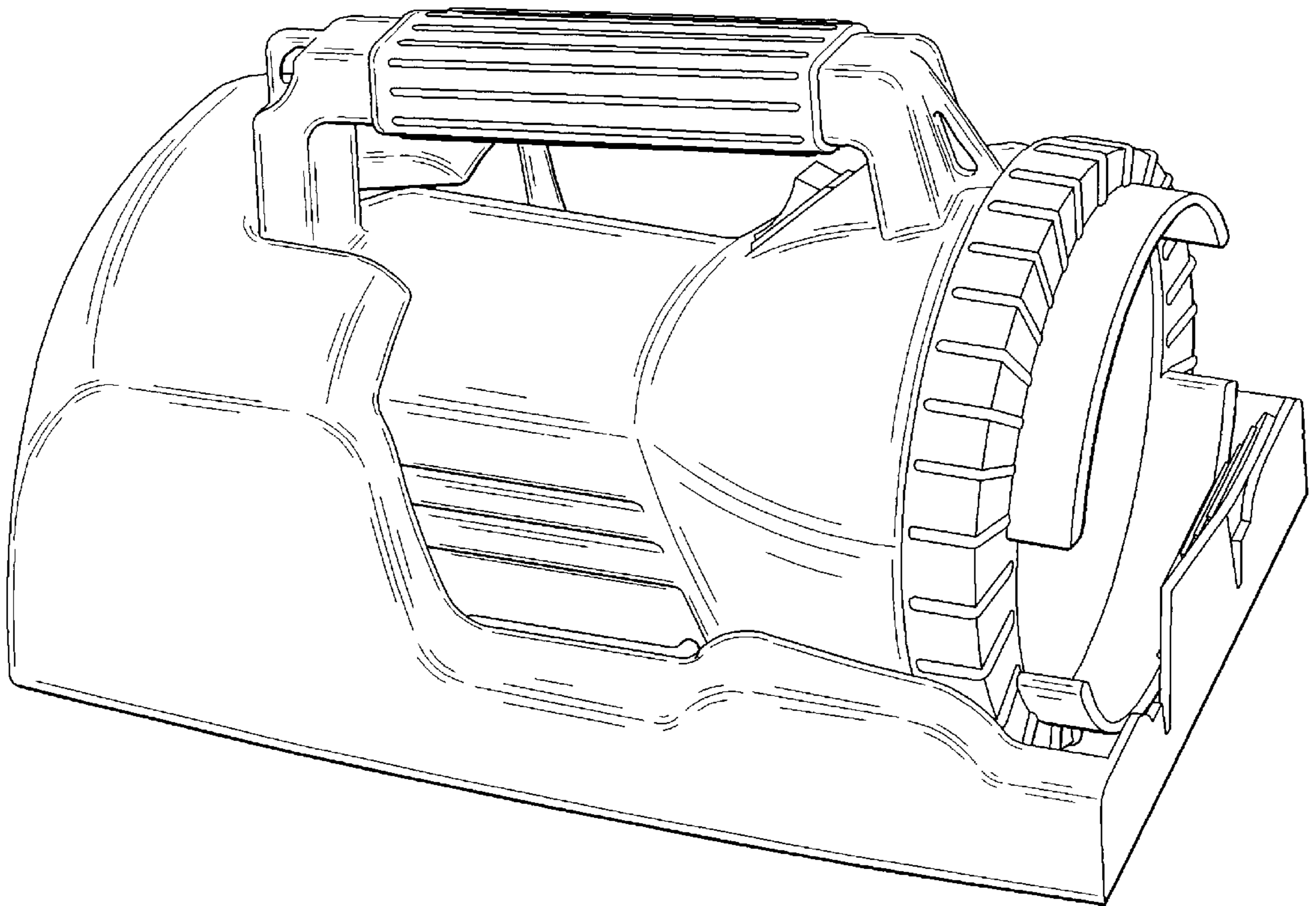


FIG. 2

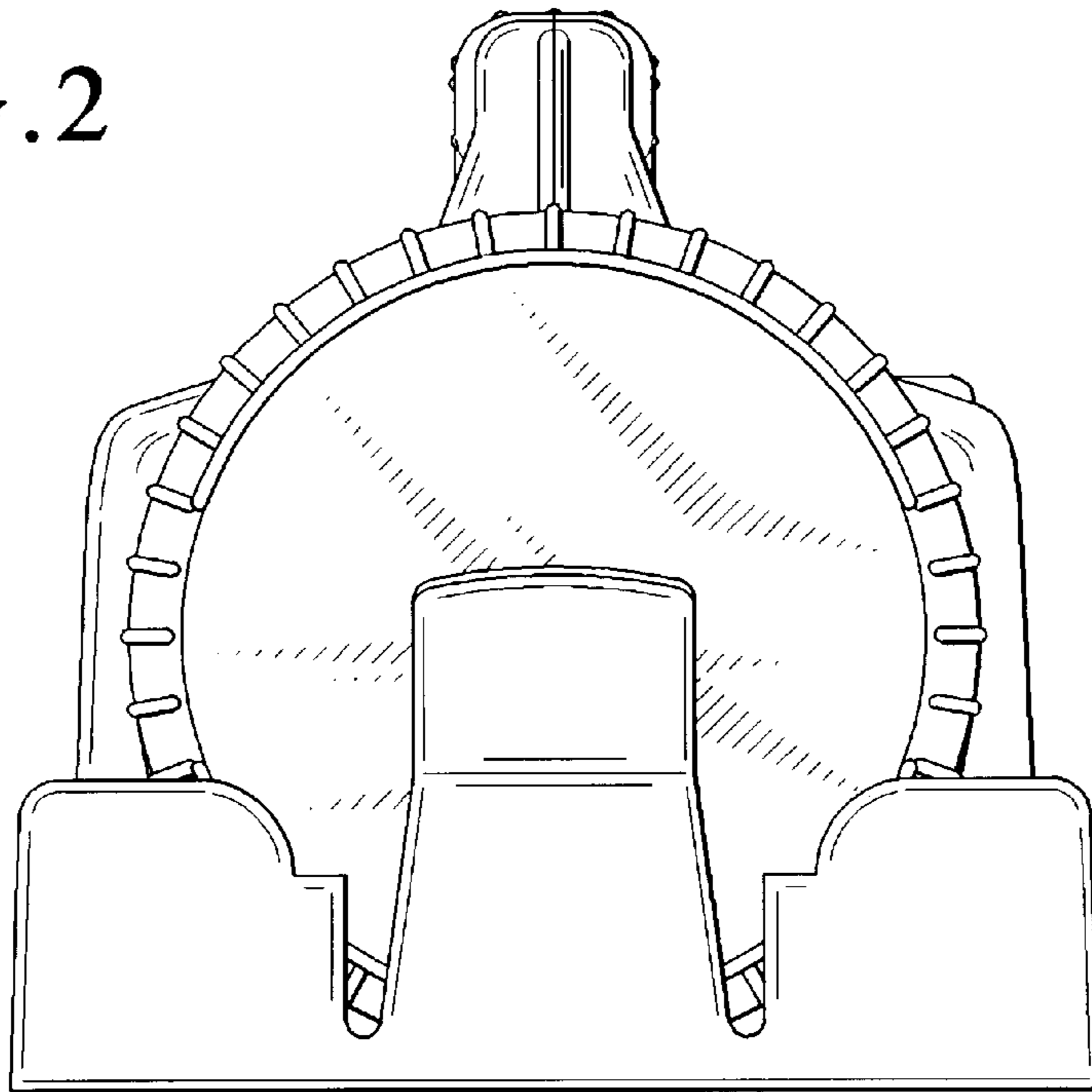


FIG. 3

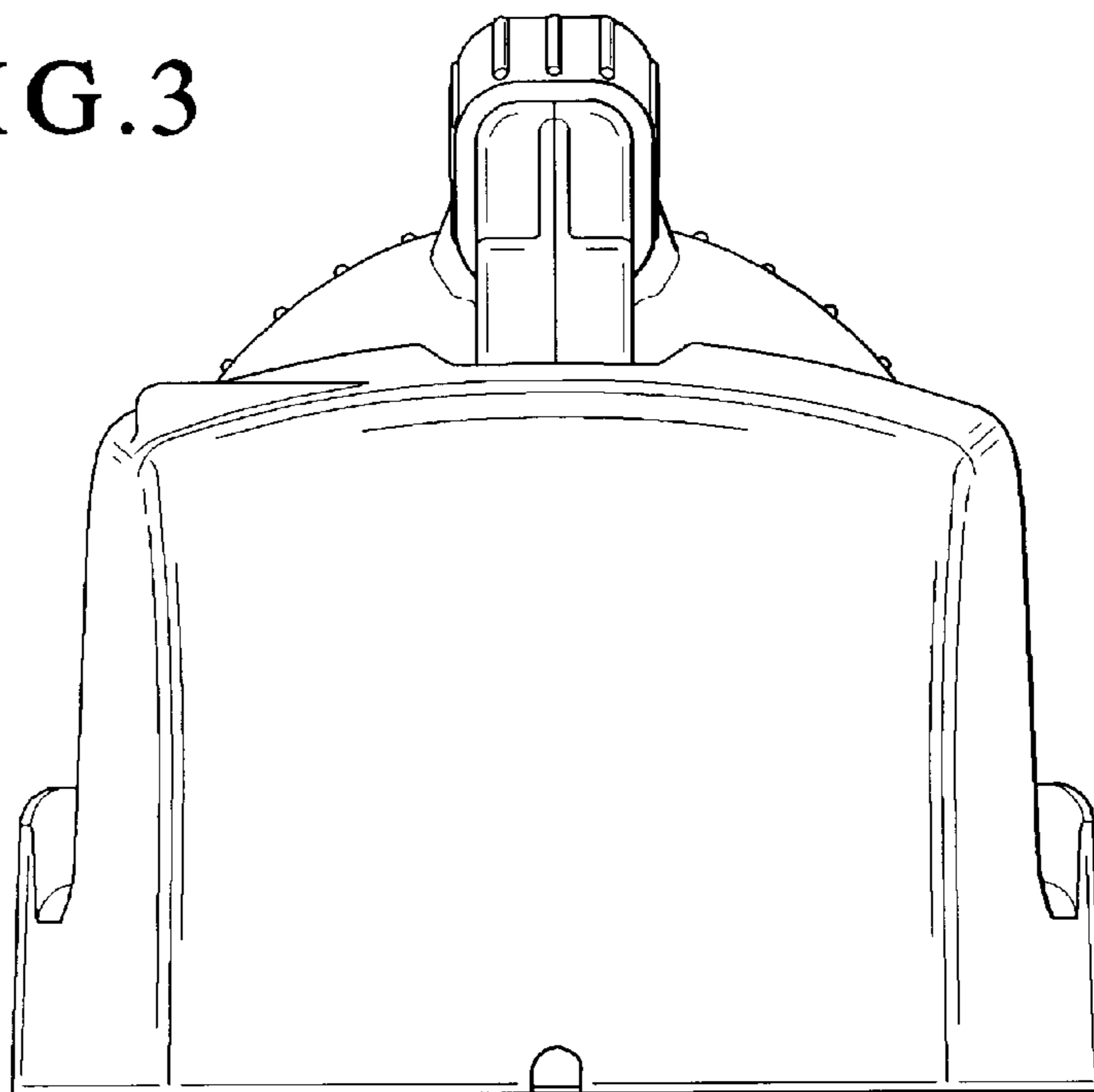


FIG. 4

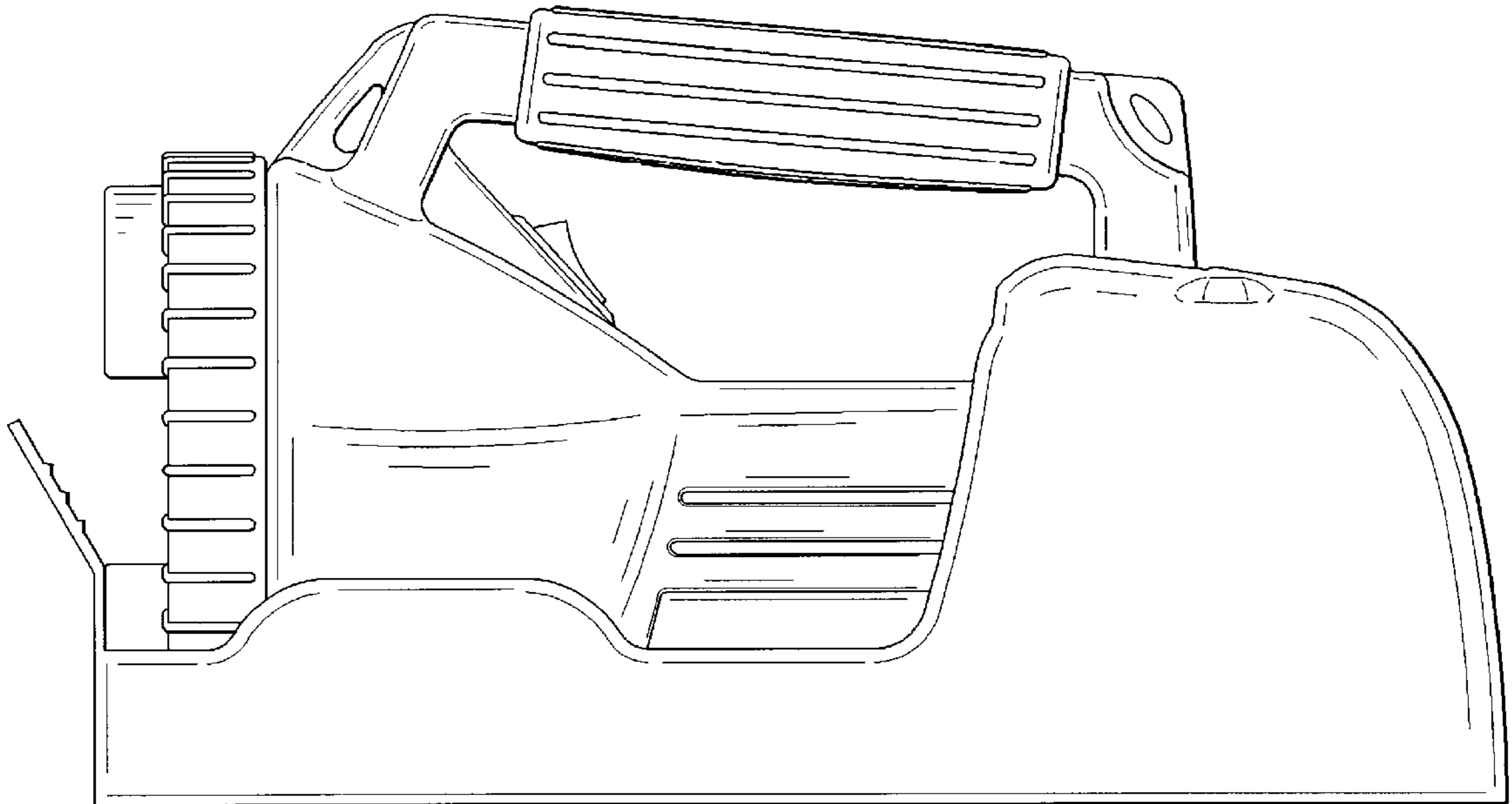


FIG. 5

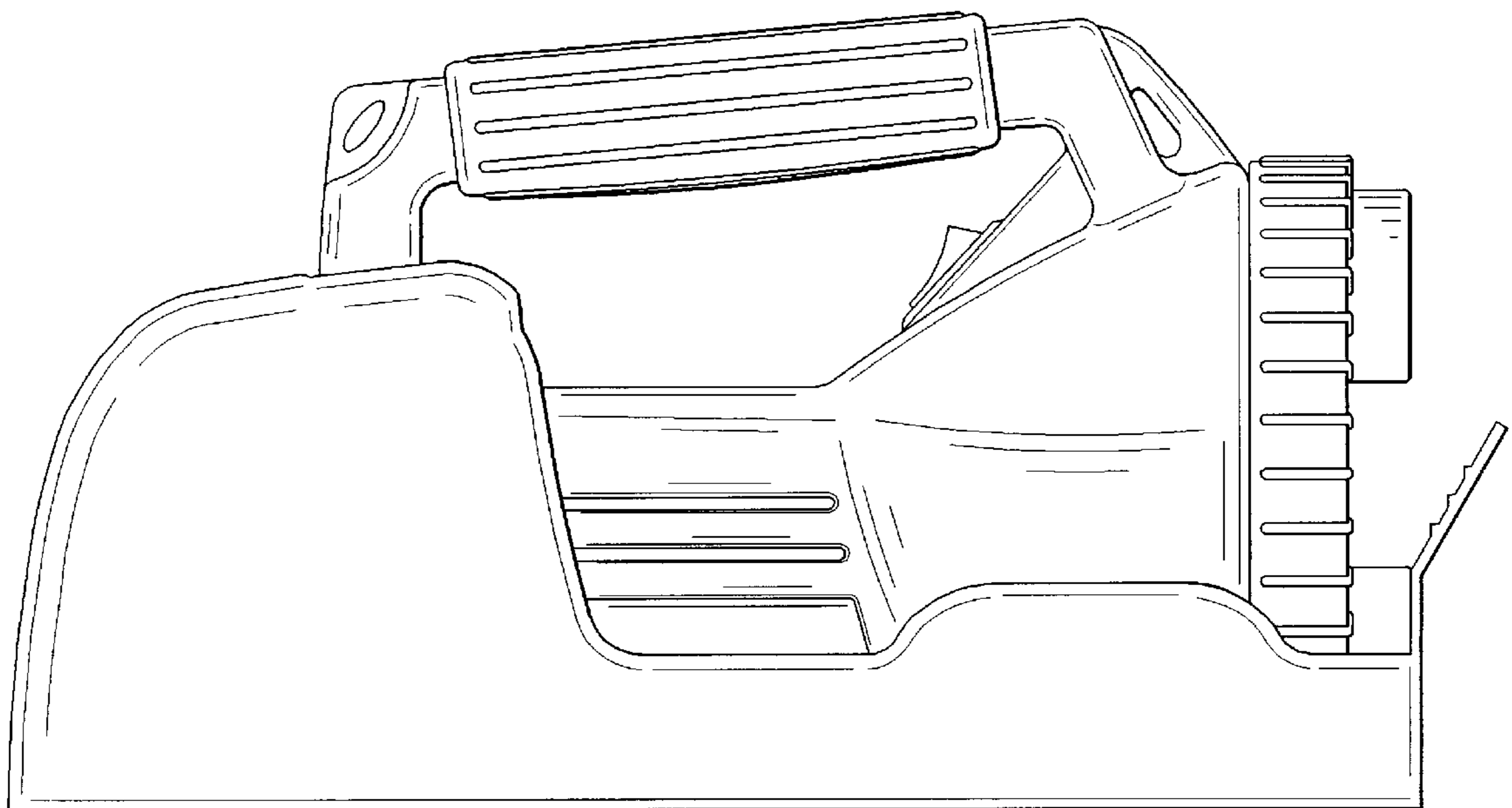


FIG. 6

