



US00D414282S

# United States Patent [19]

[11] Patent Number: Des. 414,282

Kato et al.

[45] Date of Patent: \*\* Sep. 21, 1999

- [54] SELF-BALLASTED COMPACT FLUORESCENT LAMPS
- [75] Inventors: Masayoshi Kato; Takeshi Matsumura; Shiro Iida, all of Osaka, Japan
- [73] Assignee: Matsushita Electronics Corporation, Japan
- [\*\*] Term: 14 Years
- [21] Appl. No.: 29/098,287
- [22] Filed: Dec. 24, 1998
- [51] LOC (6) Cl. .... 26-04
- [52] U.S. Cl. .... D26/3
- [58] Field of Search ..... D26/1, 2, 3, 4, D26/26; 313/313, 315, 317, 318, 493; 315/52, 53, 56, 57, 58; 362/216, 222, 310

- 97301318 2/1998 China .
- 97301533 2/1998 China .
- 97301683 2/1998 China .
- 97301724 2/1998 China .
- 97301725 2/1998 China .
- 97302023 2/1998 China .
- 77685 6/1979 France .
- 631924 8/1984 Japan .
- 63-1926 8/1984 Japan .
- 8-255592 10/1996 Japan .
- 2035326 11/1993 United Kingdom .
- 2062441 1/1997 United Kingdom .
- 2066733 6/1997 United Kingdom .
- DM/003871 6/1984 WIPO .
- DM/011712 9/1988 WIPO .
- DM/017294 8/1990 WIPO .
- DM/042173 7/1997 WIPO .

### [56] References Cited

#### U.S. PATENT DOCUMENTS

- D. 276,186 10/1984 Nanba et al. .... D26/3
- D. 282,784 2/1986 Fujita et al. .... D26/3
- D. 292,130 9/1987 Kubo et al. .... D26/3
- D. 302,473 7/1989 MacDonald et al. .... D26/3
- D. 353,901 12/1994 Sangen et al. .... D26/3
- D. 400,988 11/1998 Matsumura et al. .... D26/3

#### FOREIGN PATENT DOCUMENTS

- 96318751 1/1998 China .
- 97301218 2/1998 China .
- 97301221 2/1998 China .
- 97301222 2/1998 China .
- 97301223 2/1998 China .
- 97301224 2/1998 China .

Primary Examiner—Marcus A. Jackson  
Attorney, Agent, or Firm—Saidman DesignLaw Group

### [57] CLAIM

The ornamental design for self-ballasted compact fluorescent lamps, as shown and described.

### DESCRIPTION

FIG. 1 is a perspective view of the top, front and right side of a self-ballasted compact fluorescent lamps showing our new design;

FIG. 2 is a front view thereof;

FIG. 3 is a right side thereof;

FIG. 4 is a top plan view thereof;

FIG. 5 is a bottom view thereof;

FIG. 6 is a rear view thereof; and,

FIG. 7 is a left side view thereof.

1 Claim, 3 Drawing Sheets

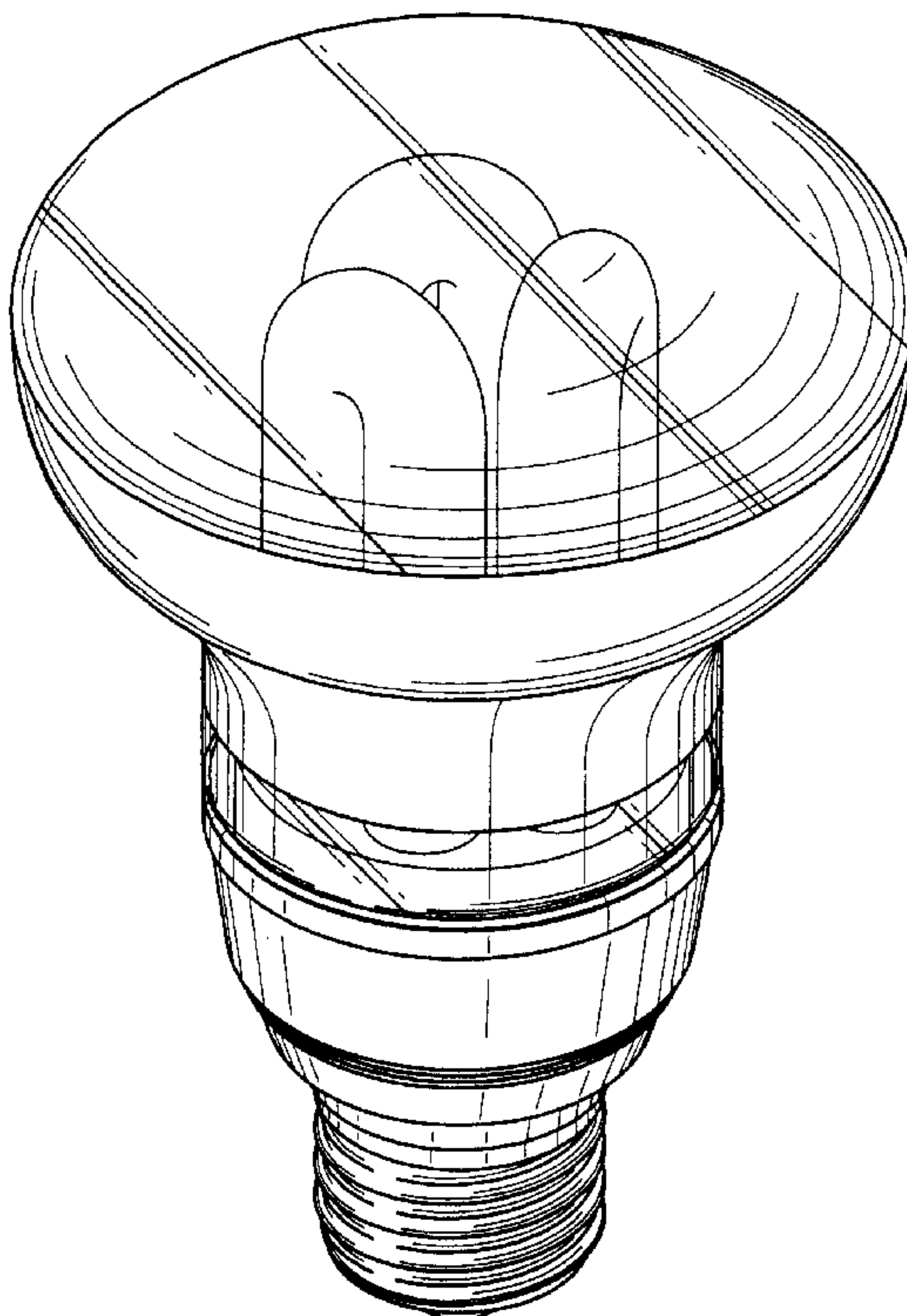


FIG. 2

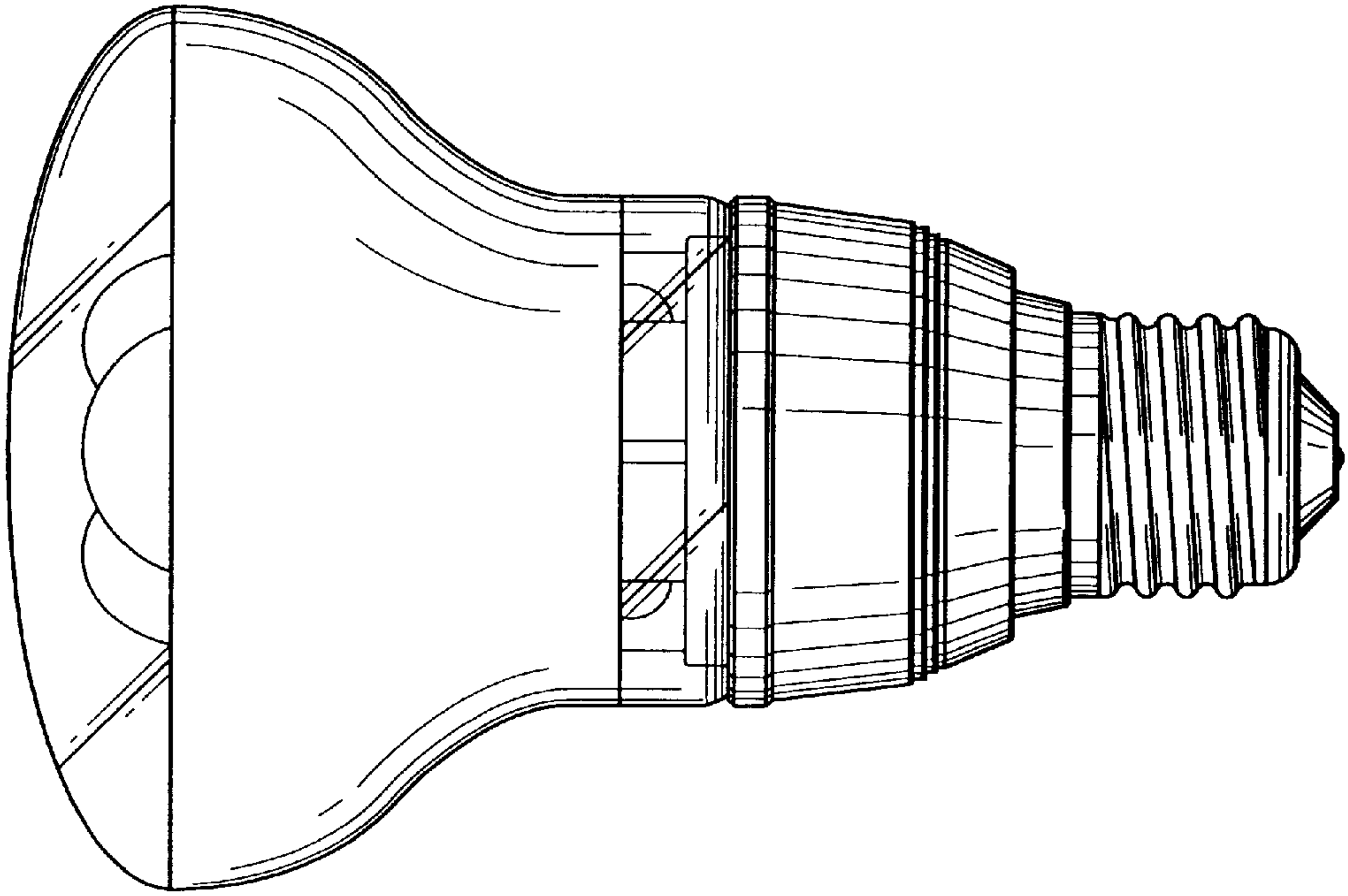


FIG. 1

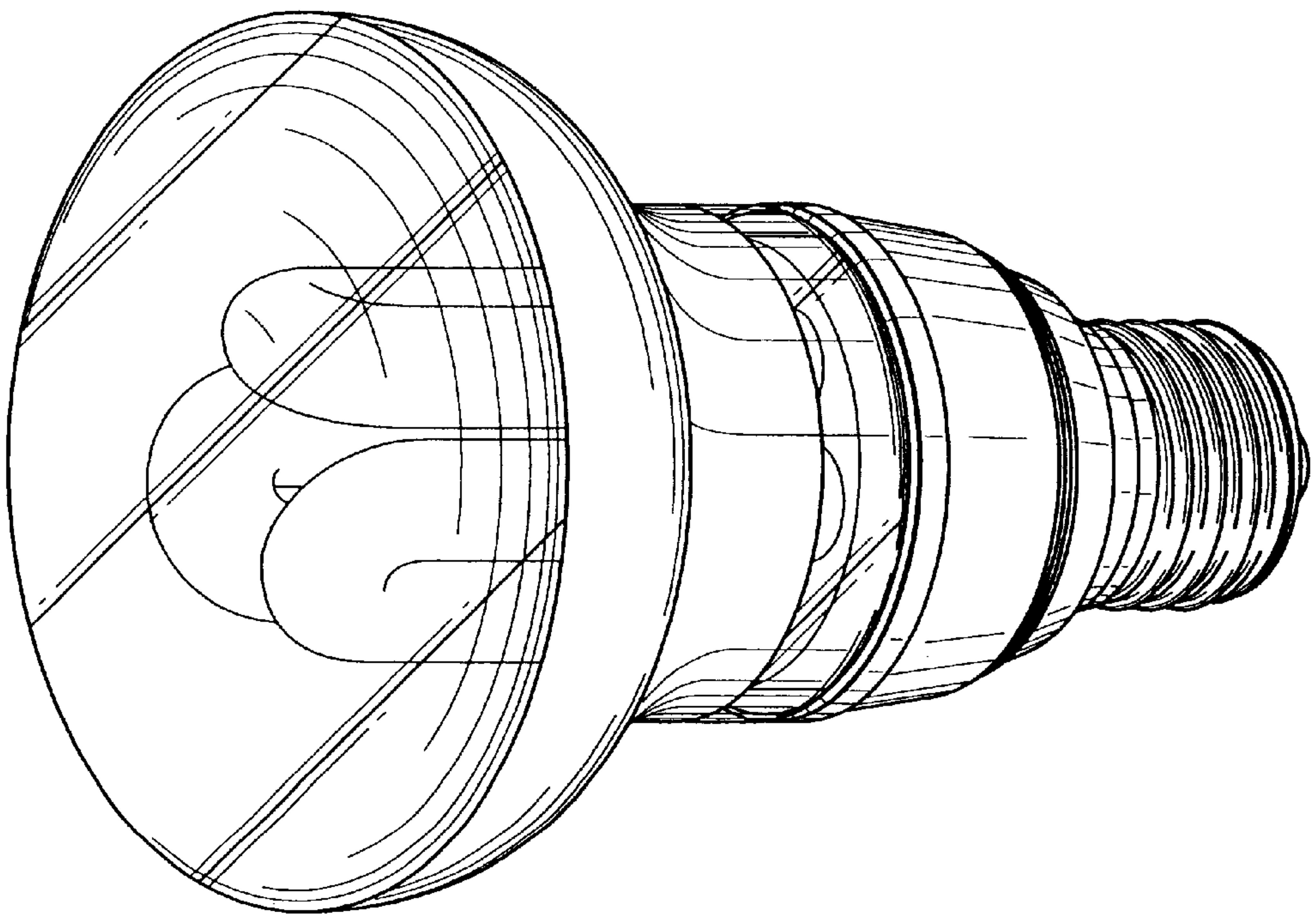


FIG. 3

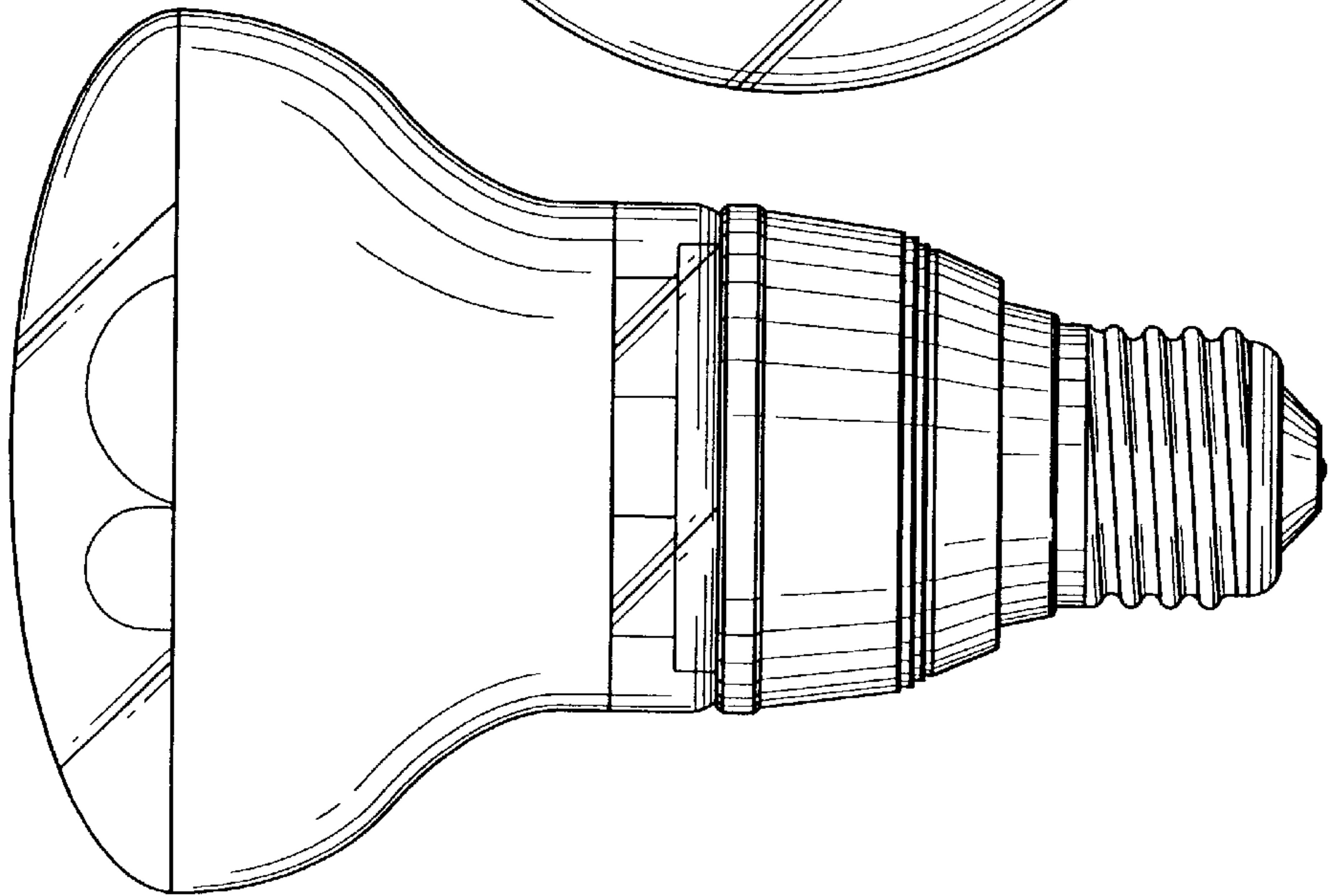


FIG. 4

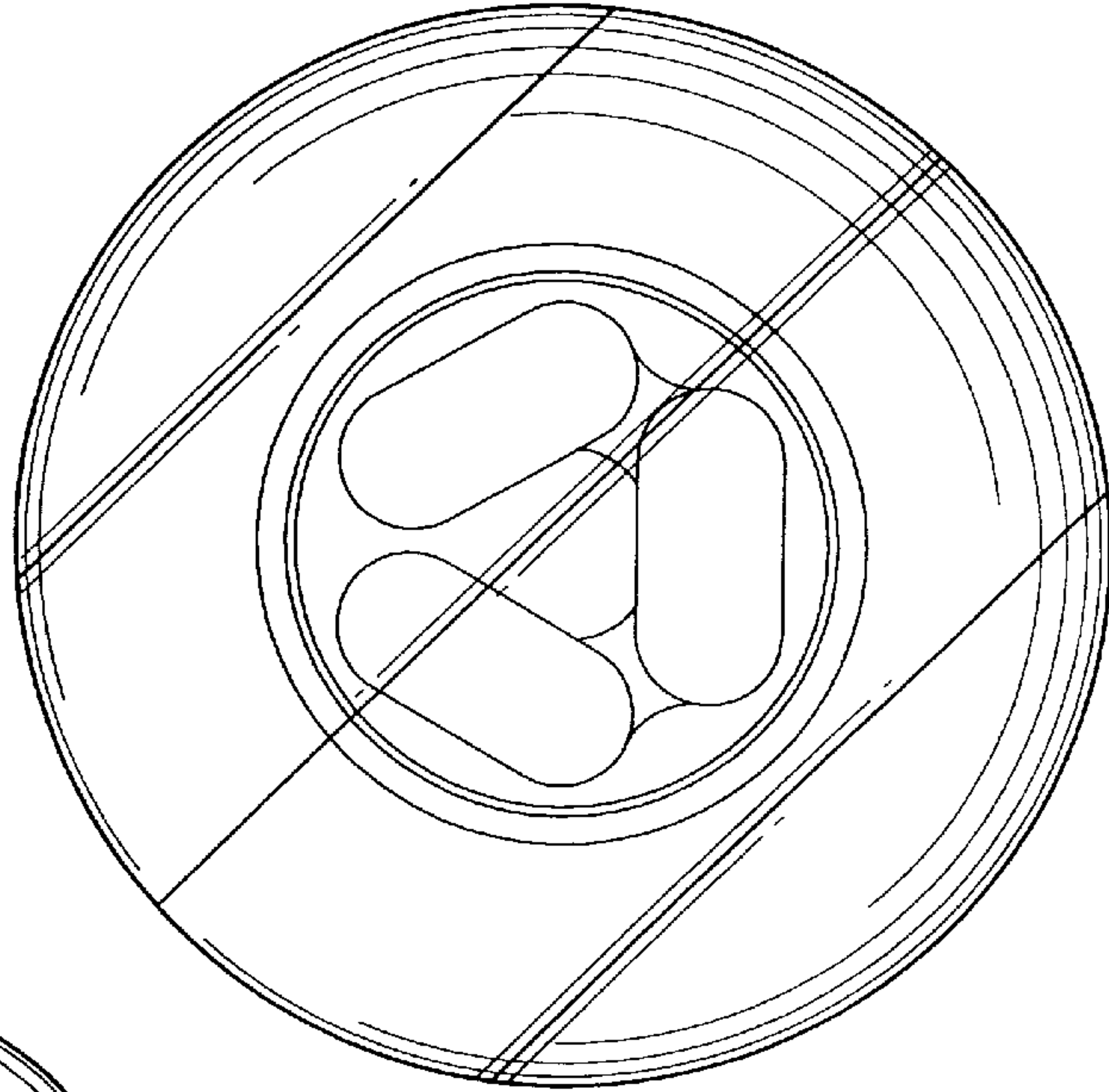


FIG. 5

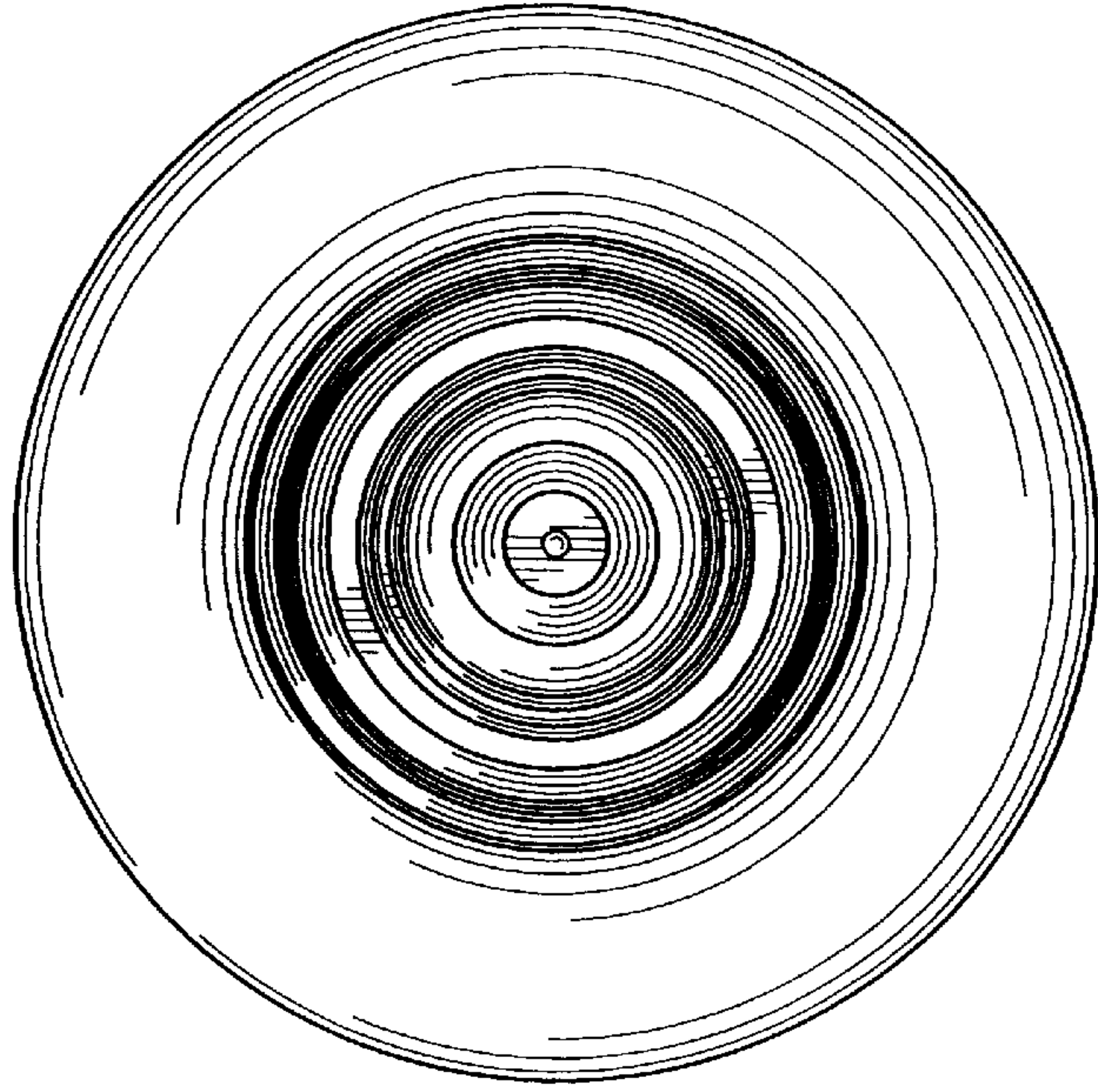




FIG. 7

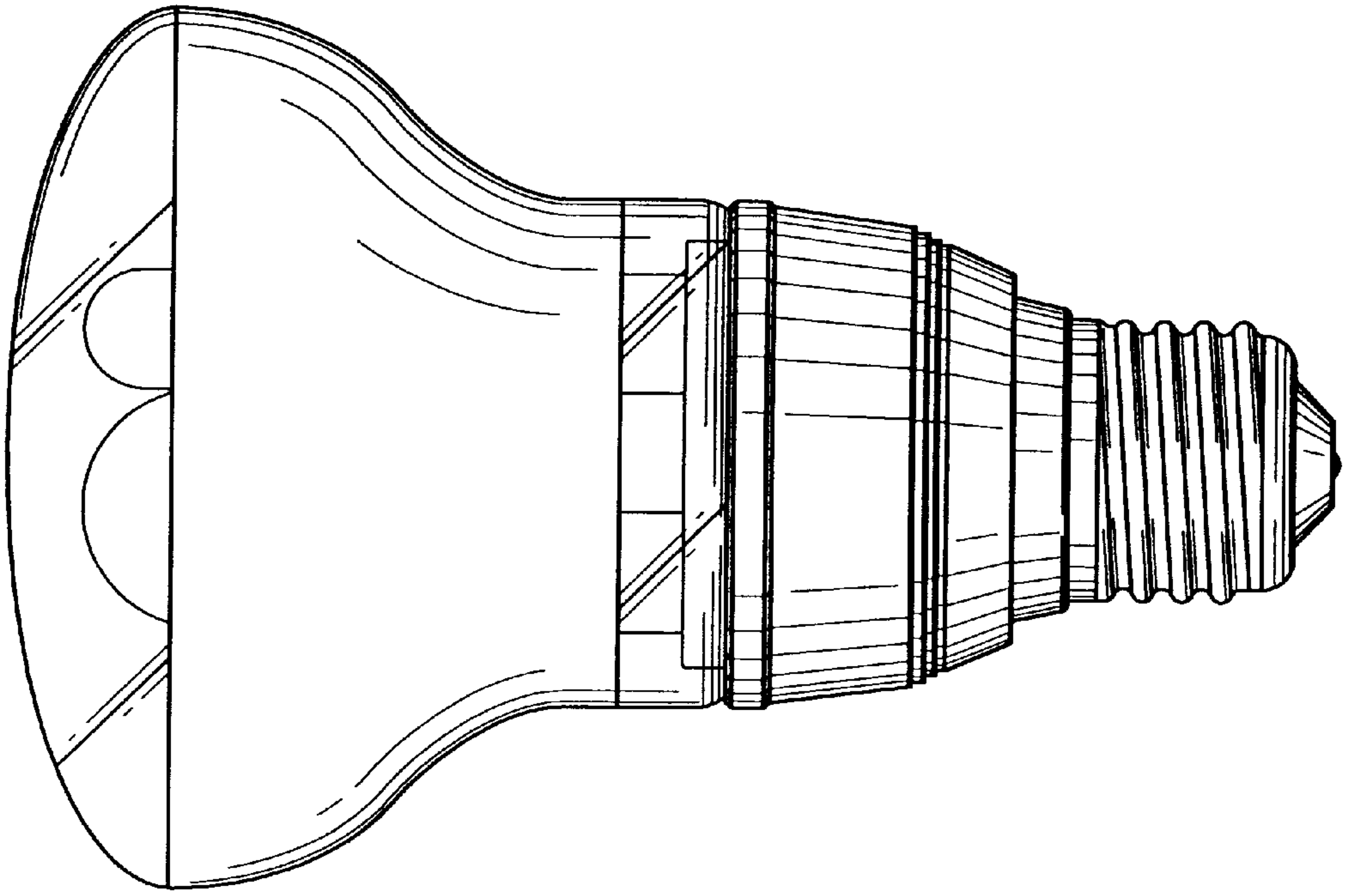


FIG. 6

