



US00D414277S

United States Patent [19]

Hersh et al.

[11] Patent Number: **Des. 414,277**

[45] Date of Patent: **** Sep. 21, 1999**

[54] WINDOW COMPONENT EXTRUSION

D. 384,427 9/1997 Jarrell D25/124

[75] Inventors: **Jeffrey B. Hersh**, Wayne, Pa.; **Dennis Westphal**, Parma, Mich.; **Brian Opielski**, Malvern, Pa.; **Jerome C. Habeck**, Holt, Mich.

Primary Examiner—Doris Clark
Attorney, Agent, or Firm—Duane Morris & Heckscher LLP

[73] Assignee: **CertainTeed Corporation**, Valley Forge, Pa.

[57] CLAIM

[**] Term: **14 Years**

The ornamental design for a window component extrusion, as shown and described.

[21] Appl. No.: **29/098,603**

DESCRIPTION

[22] Filed: **Dec. 29, 1998**

The FIGURE is a broken front perspective view of a window component extrusion showing our new design, the rear perspective view being a mirror image thereof.

[51] LOC (6) Cl. **25-01**

[52] U.S. Cl. **D25/124**

[58] Field of Search D25/60, 52, 119-125; 52/204.5; 49/501, 504, DIG. 1, DIG. 2

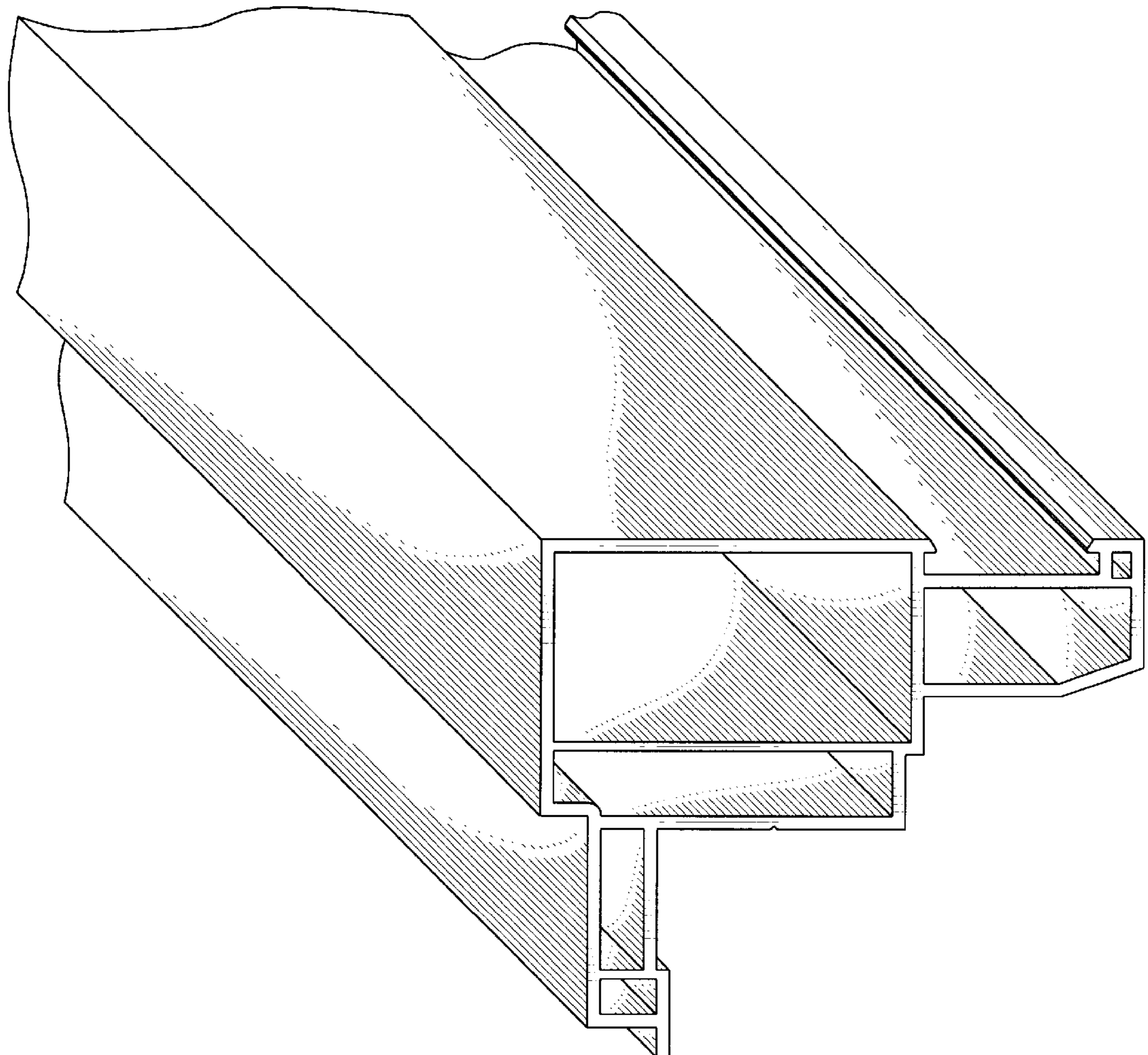
The window component extrusion is broken on the end to indicate indefinite length.

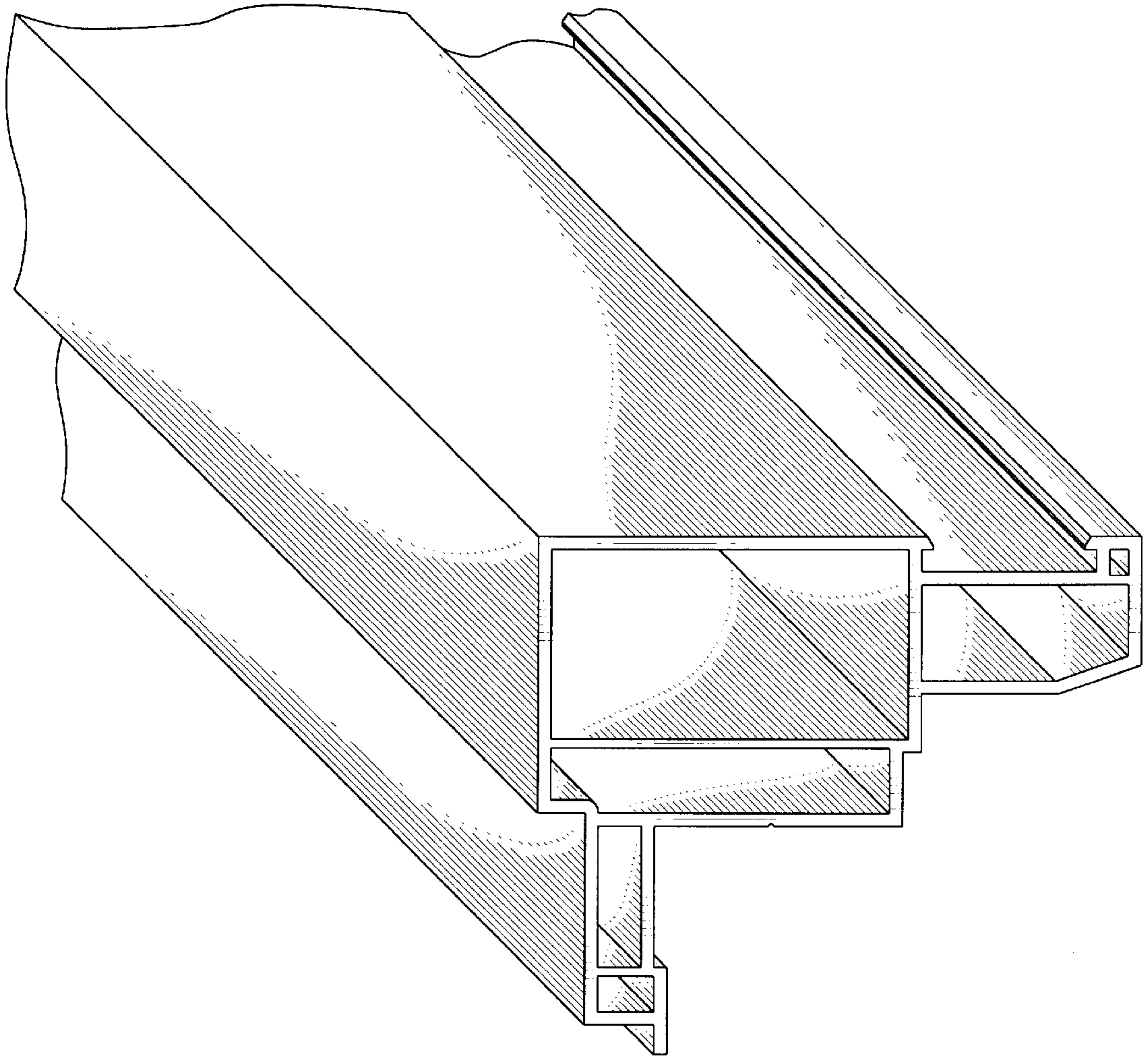
[56] References Cited

U.S. PATENT DOCUMENTS

D. 335,932 5/1993 Cole D25/124

1 Claim, 1 Drawing Sheet





THE FIGURE